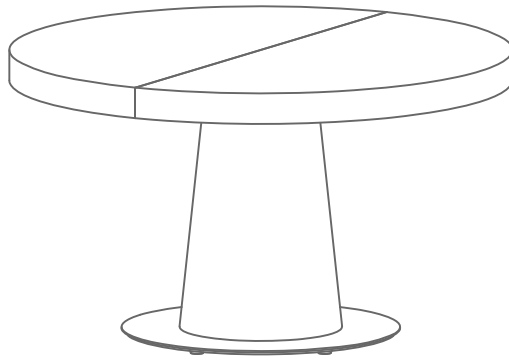


Granada

Design by BoConcept

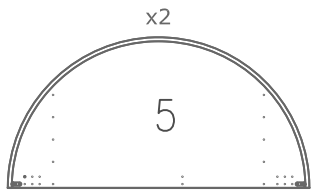
Samvejledning - Assembly Instructions - Montageanleitung - Instructions d'assemblage - Instrucciones de montaje



5500

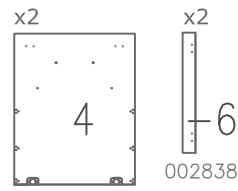
74,5x130/182x130 cm

col. 5501



002720

col. 5502



002572

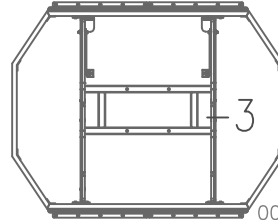
002838

col. 5503



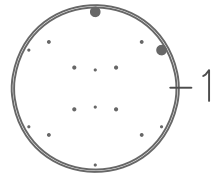
002559

col. 5504



002780

col. 5505



002674

Beslag – Beschlage – Fittings – Set de montage

col. 2
Collie nr 5502 – Fittingbox 930001027



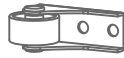
A X 8
970001285
M8x80mm



B X 1
1979300005
5mm



C X 2
1979110830
8x30mm



D X 4
970001098



E X 8
970001294
M5x10mm



F X 1
1979300003
3mm



G X 2
970001278
26mm



H X 16
970000786
4,0x16mm



I X 2
970001300
D18



J X 1
970001269



K X 2
970001289
4,5x20mm



L X 2
970001290



M X 4
970001214



N X 46
970001279
4,2x13,5mm



O X 4
970001256



P X 6
970001263



Q X 2
970001083
femal



R X 2
970001084
femal



S X 12
970001086
femal



T X 12
970001059
male



U X 20
970001248
4,0x20mm



V X 2
970001265



W X 4
970001255

Verketj – Werkzeuge – Tools – Outils

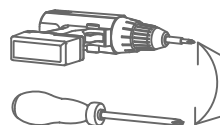
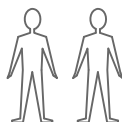


FIG. 1

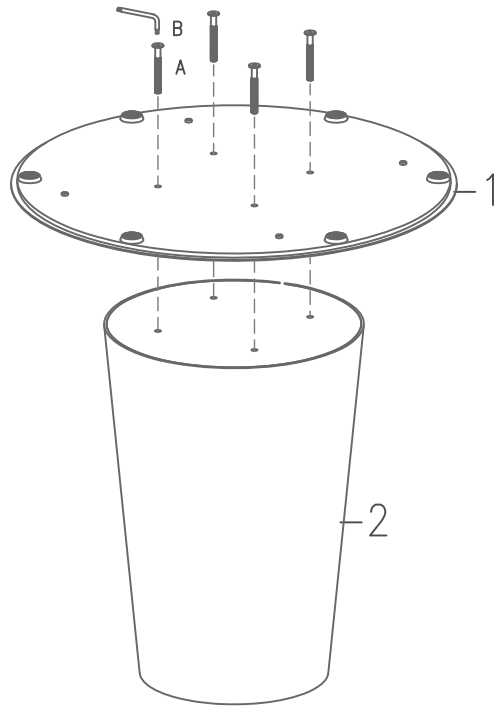
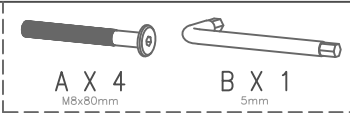


FIG. 2

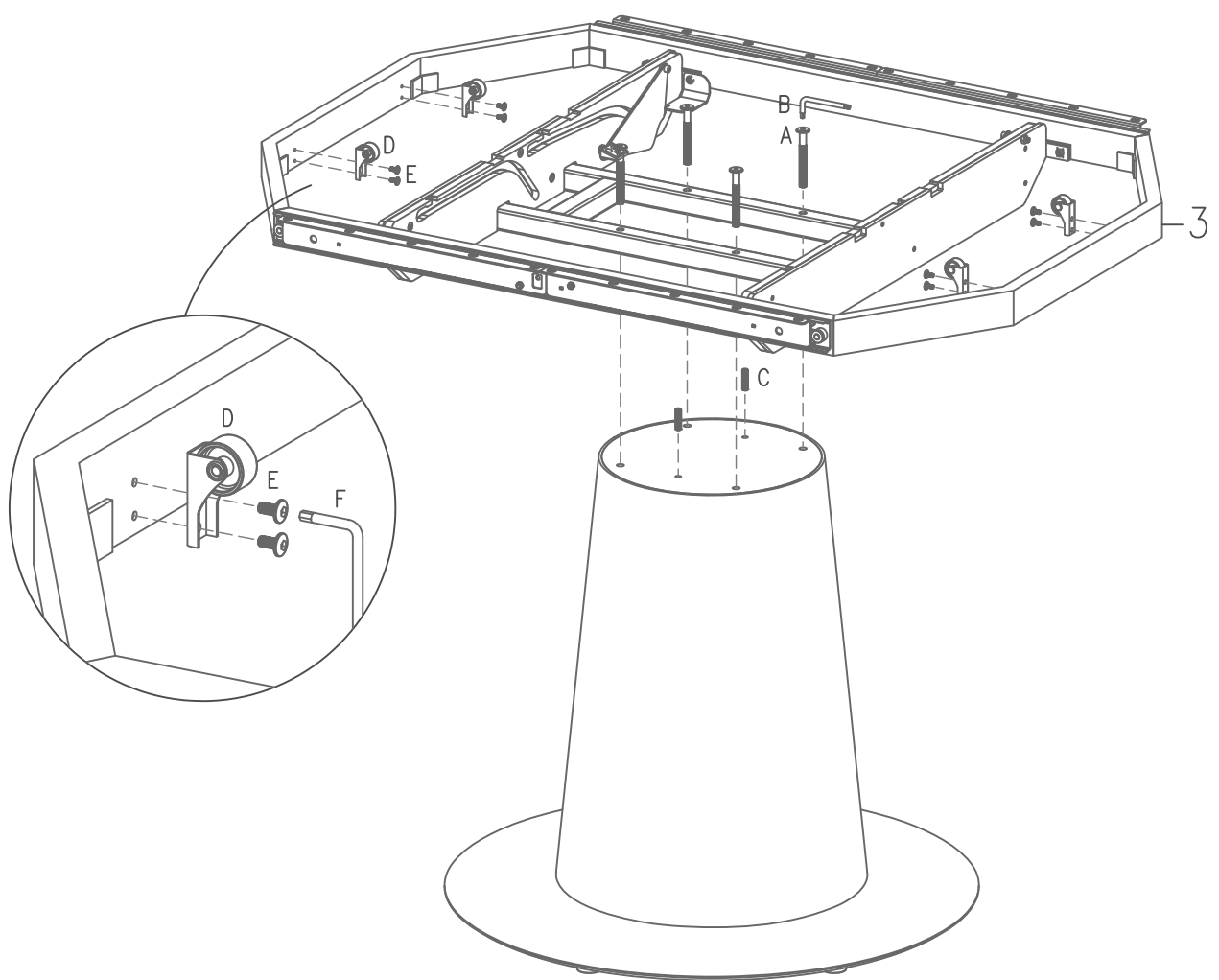
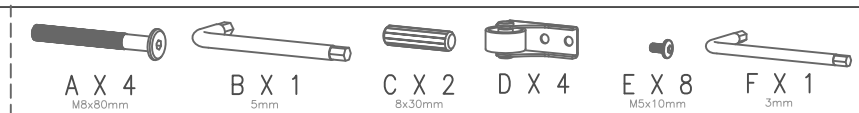
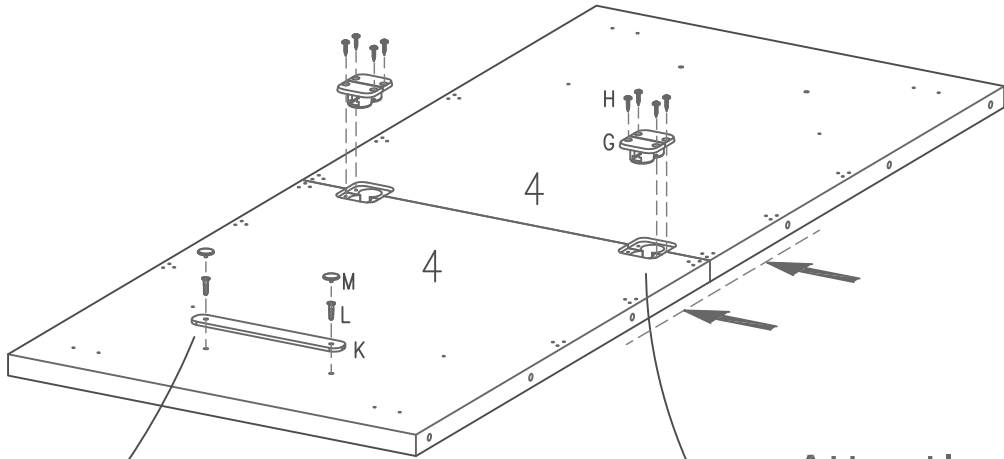
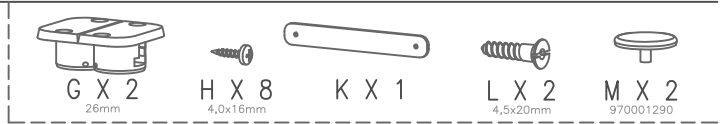


FIG. 3



Attention!

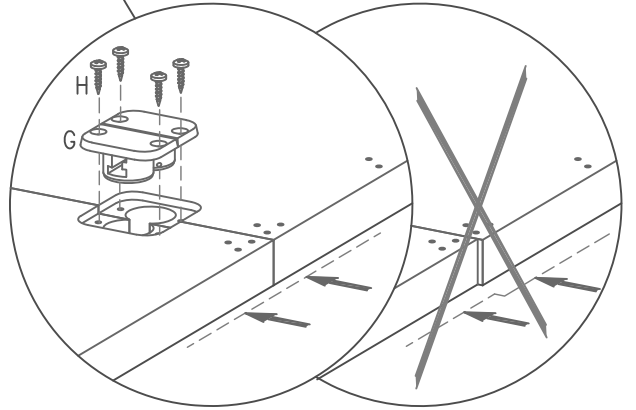
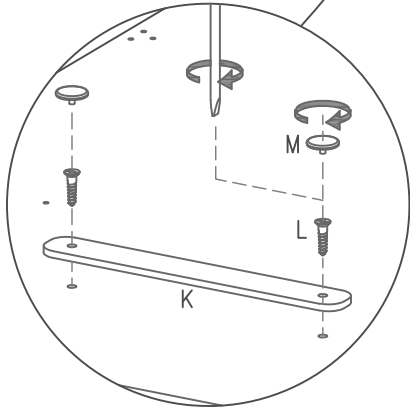


FIG. 4

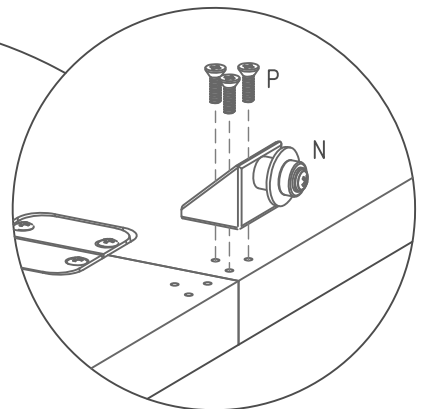
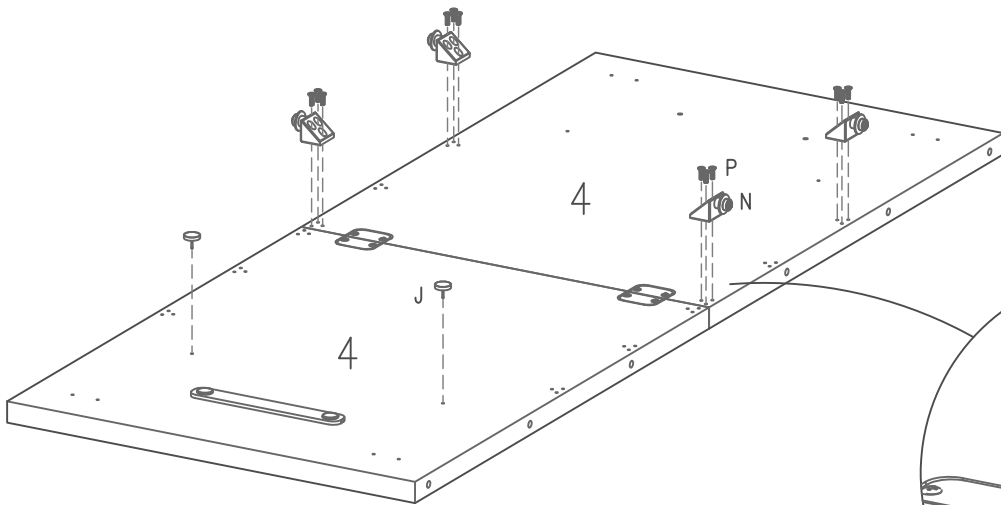


FIG. 5

Q X 4 P X 8
4,2x13,5mm

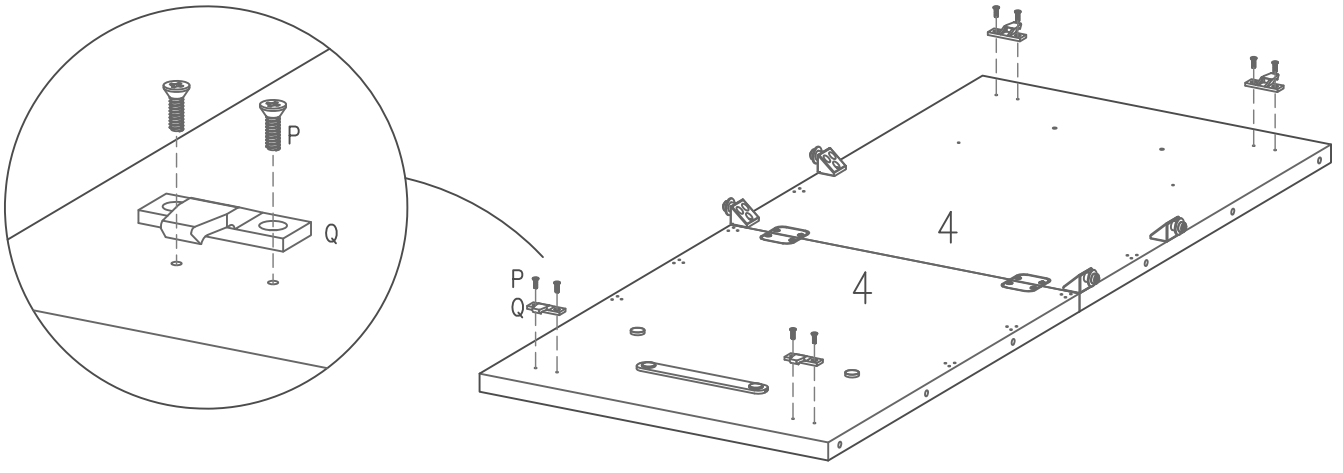
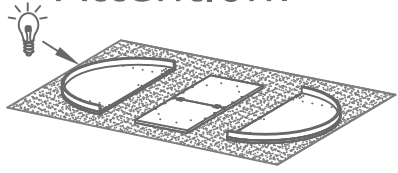


FIG. 6

Attention!



R X 6 P X 12
4,2x13,5mm

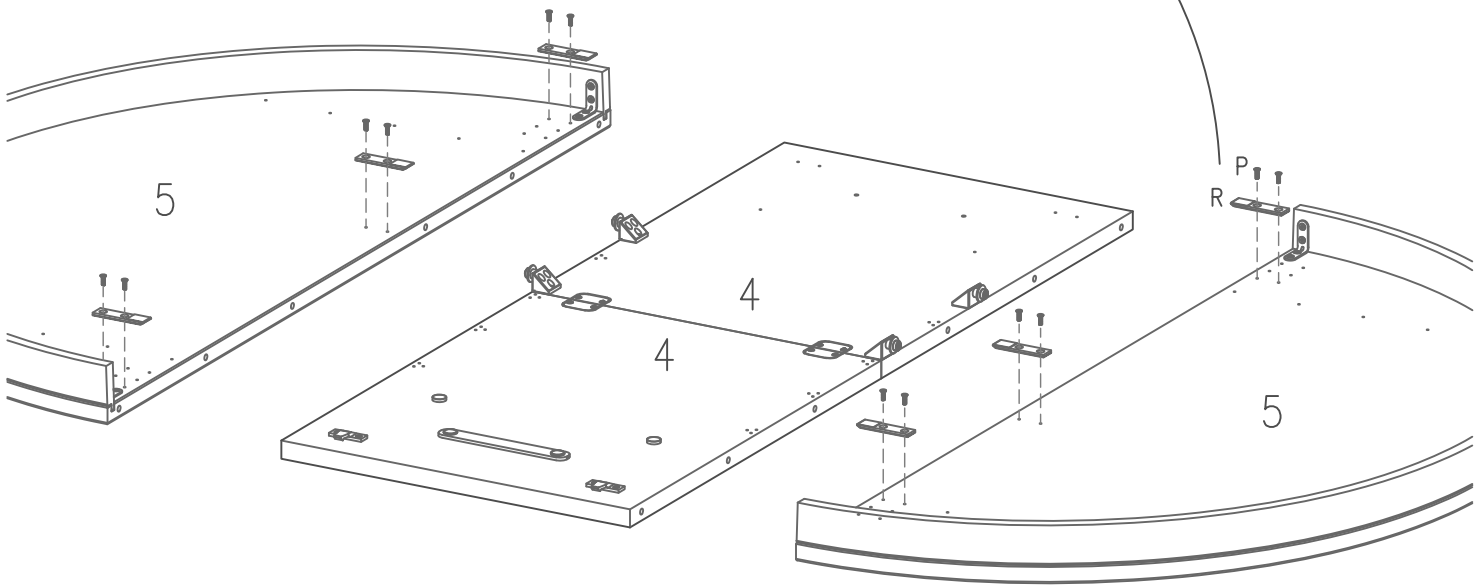
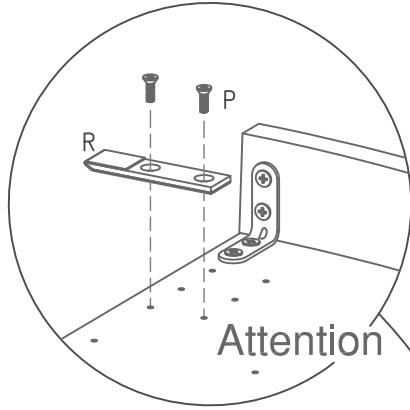


FIG. 7

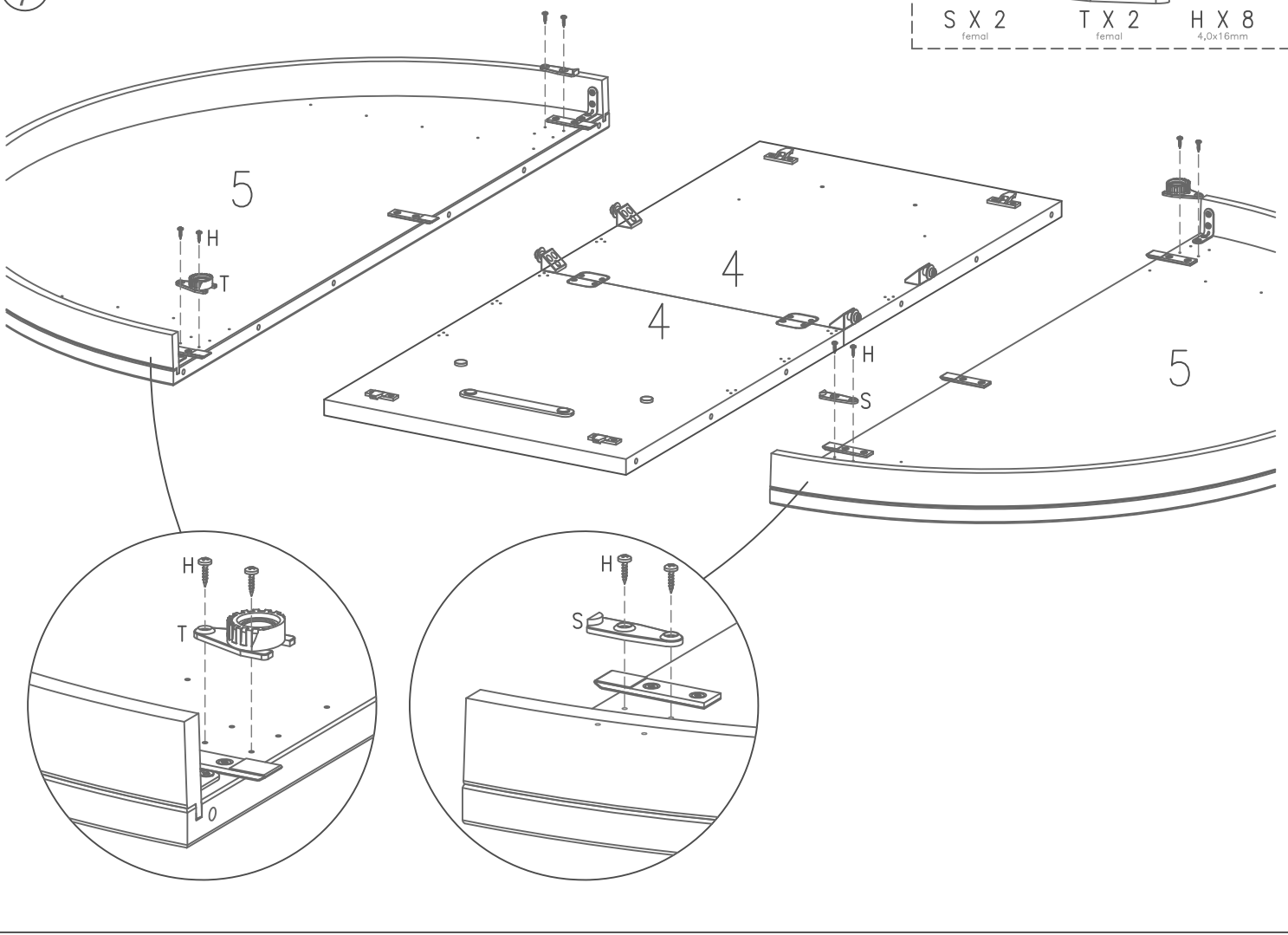
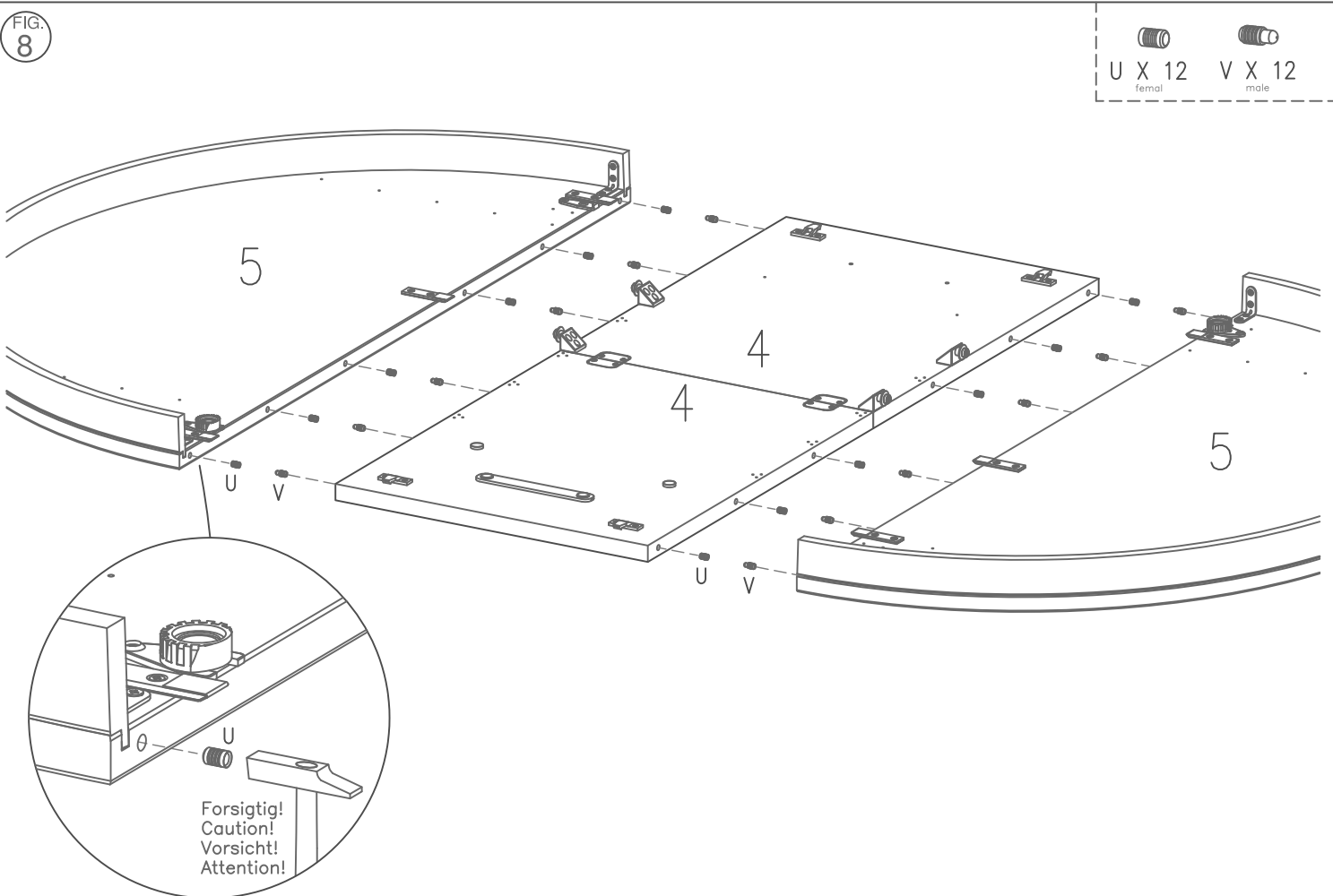
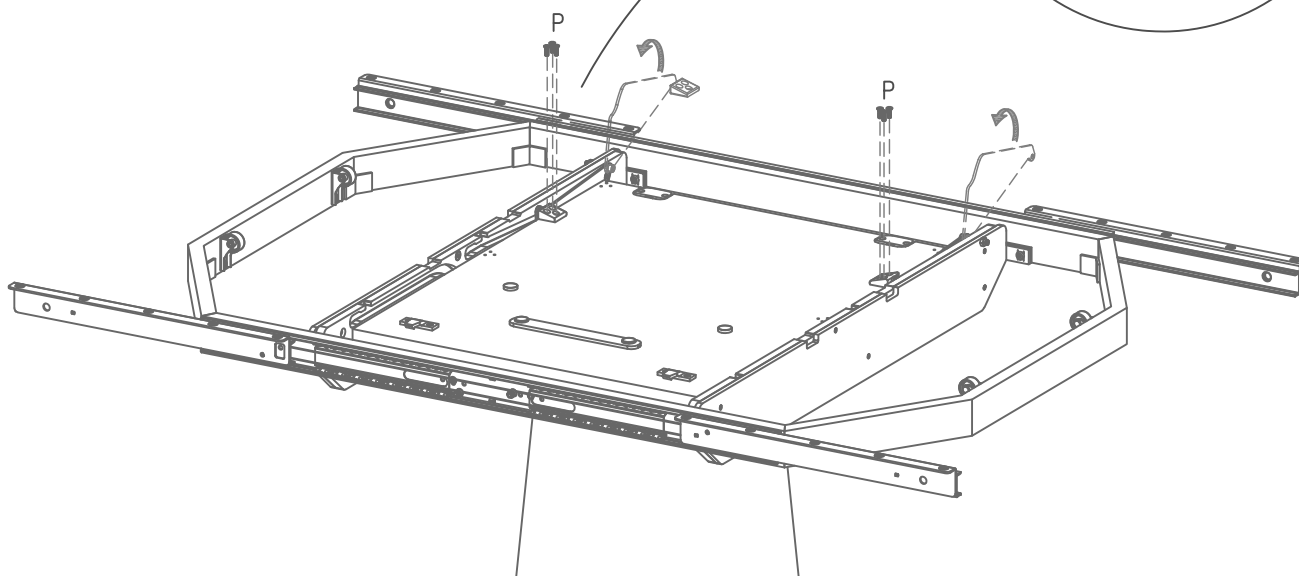
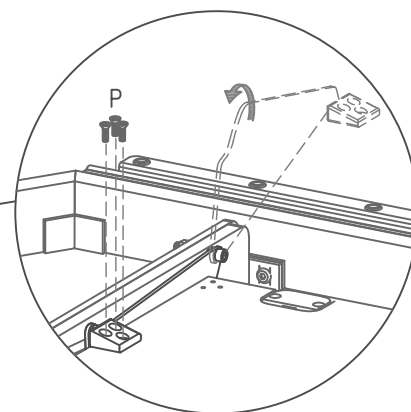
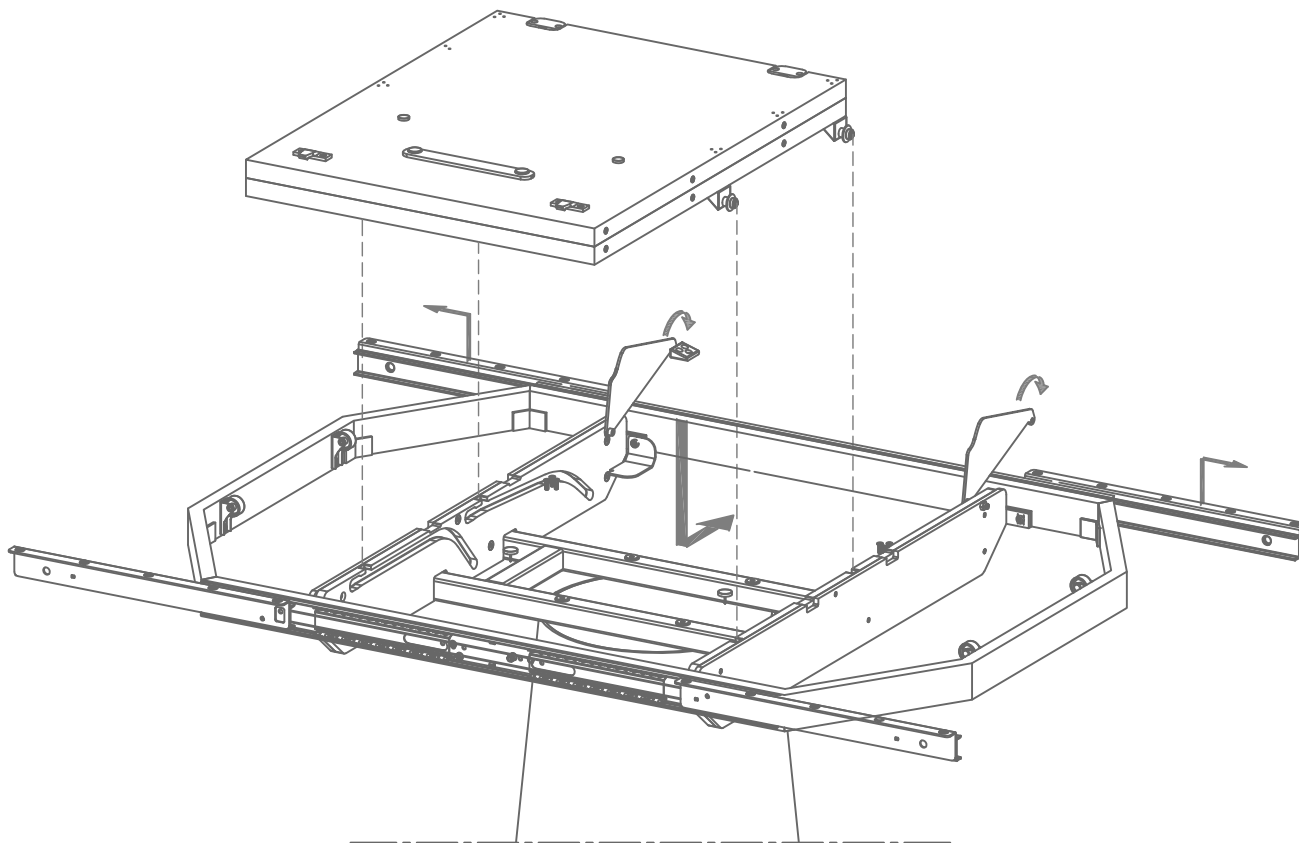


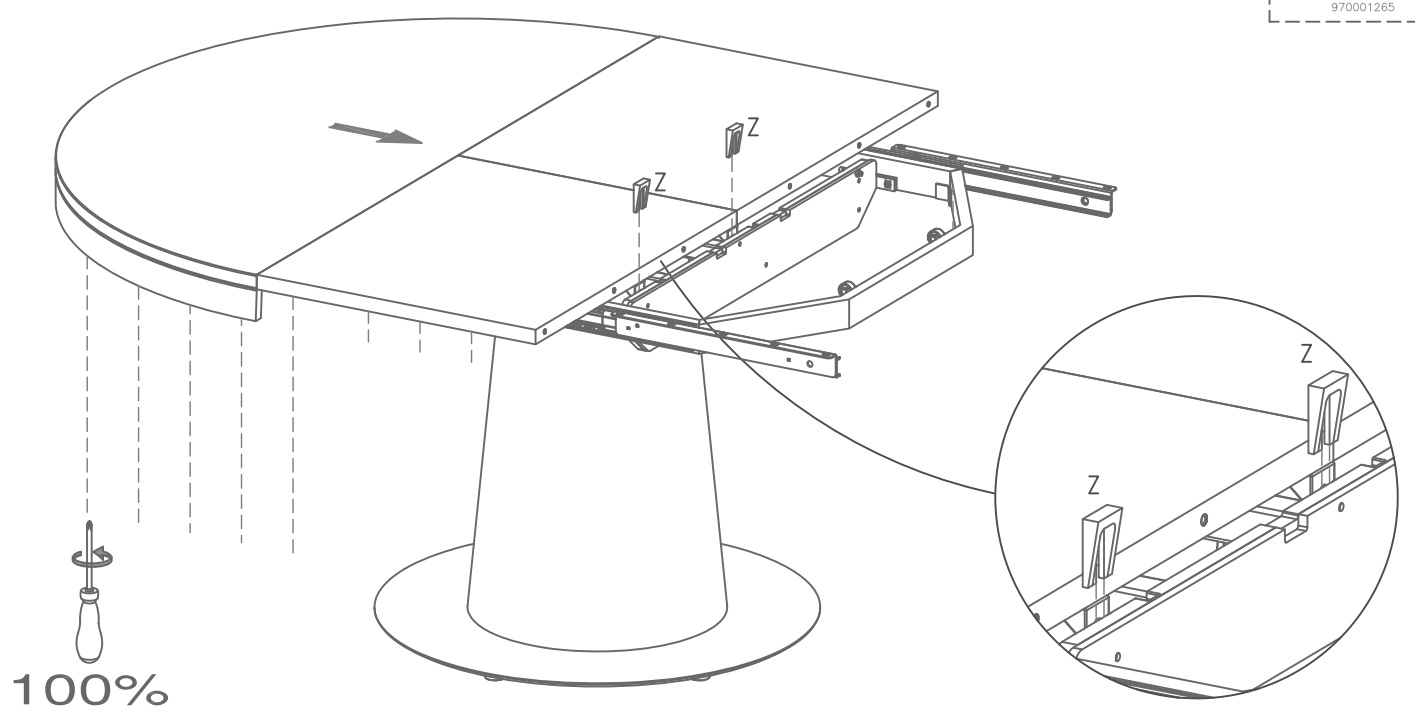
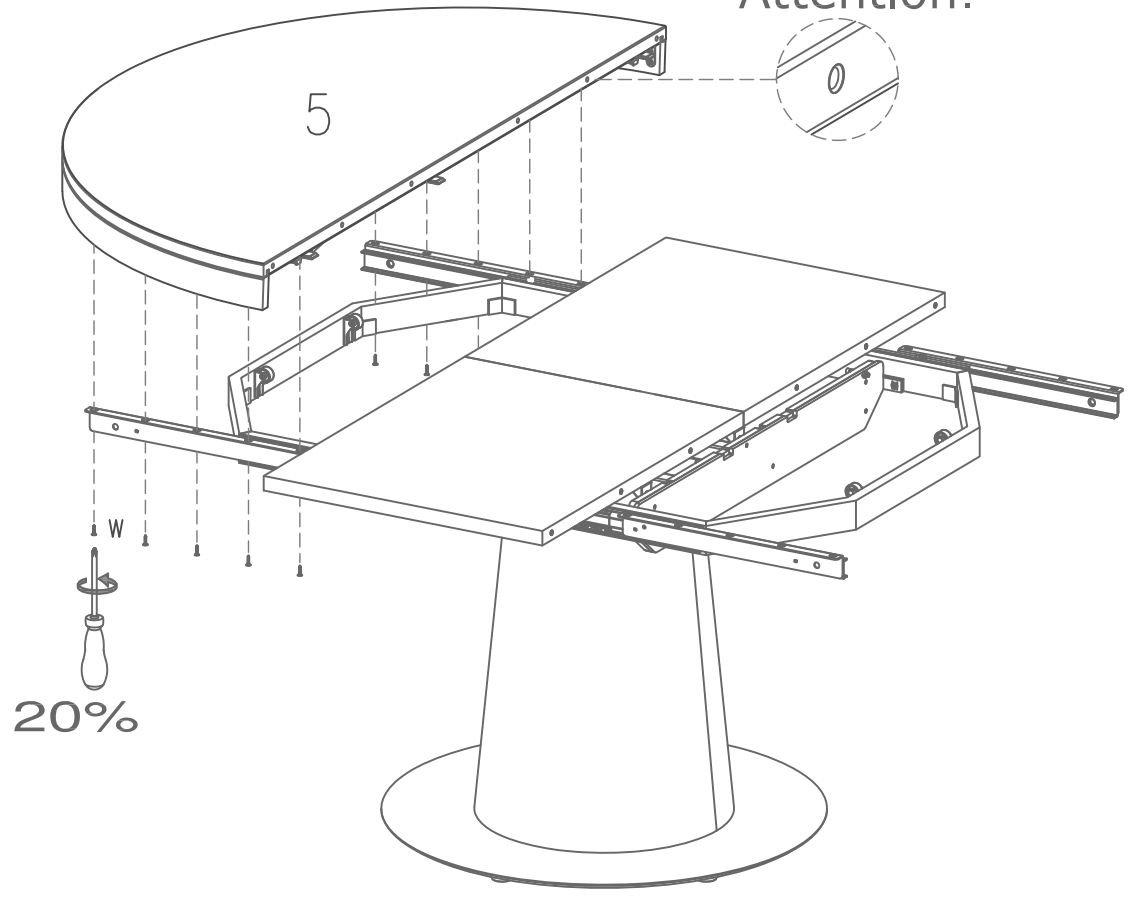
FIG. 8



Forsichtig!
Caution!
Vorsicht!
Attention!



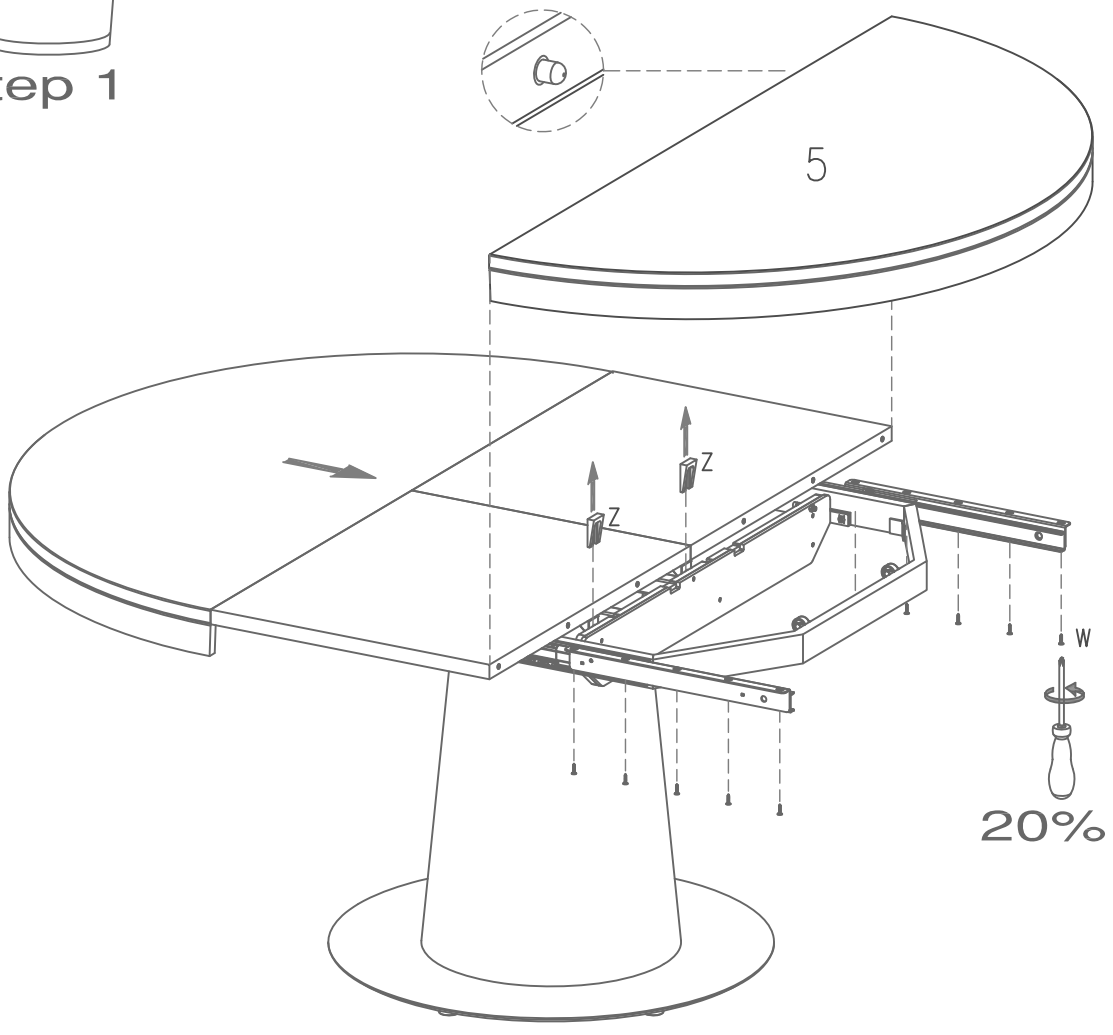
Attention!



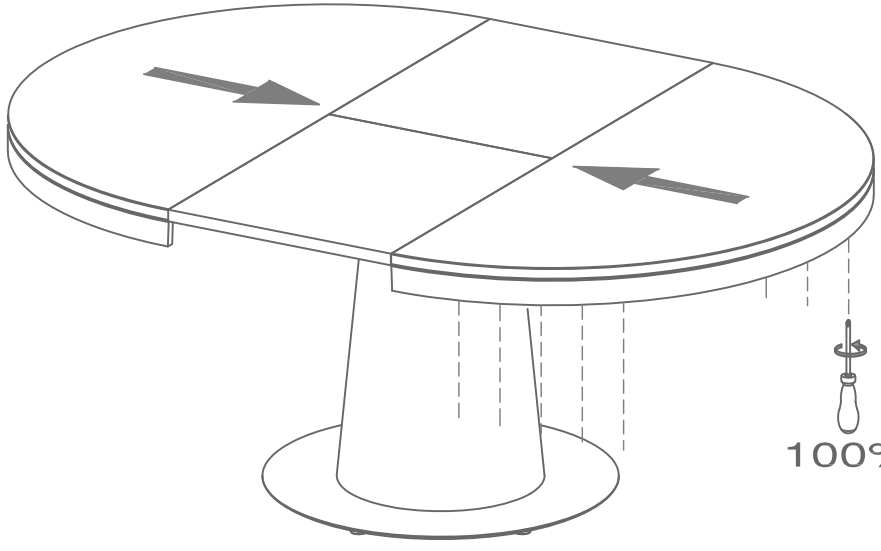


step 1

Attention!



20%



100%

FIG. 14

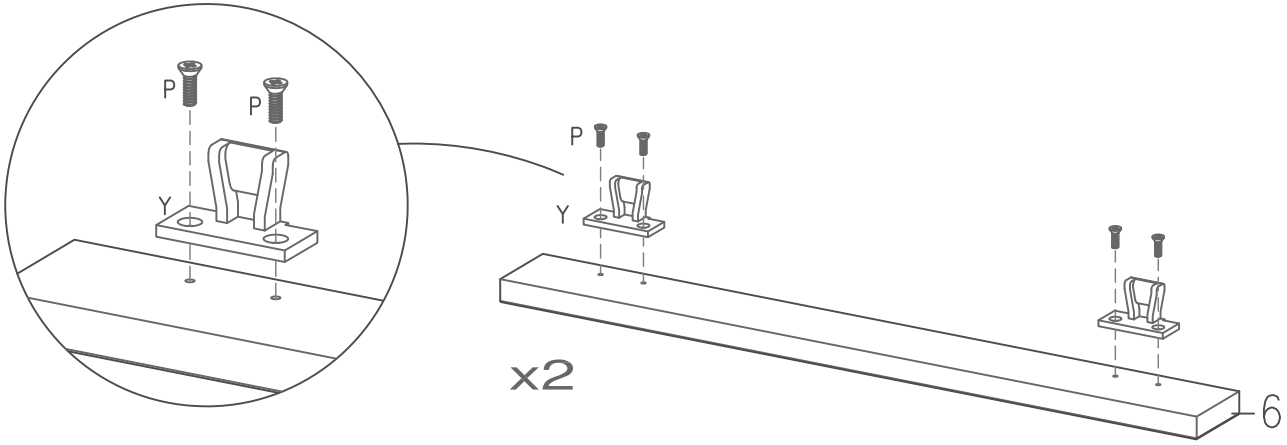
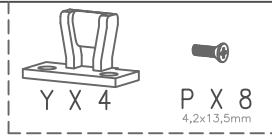


FIG. 15

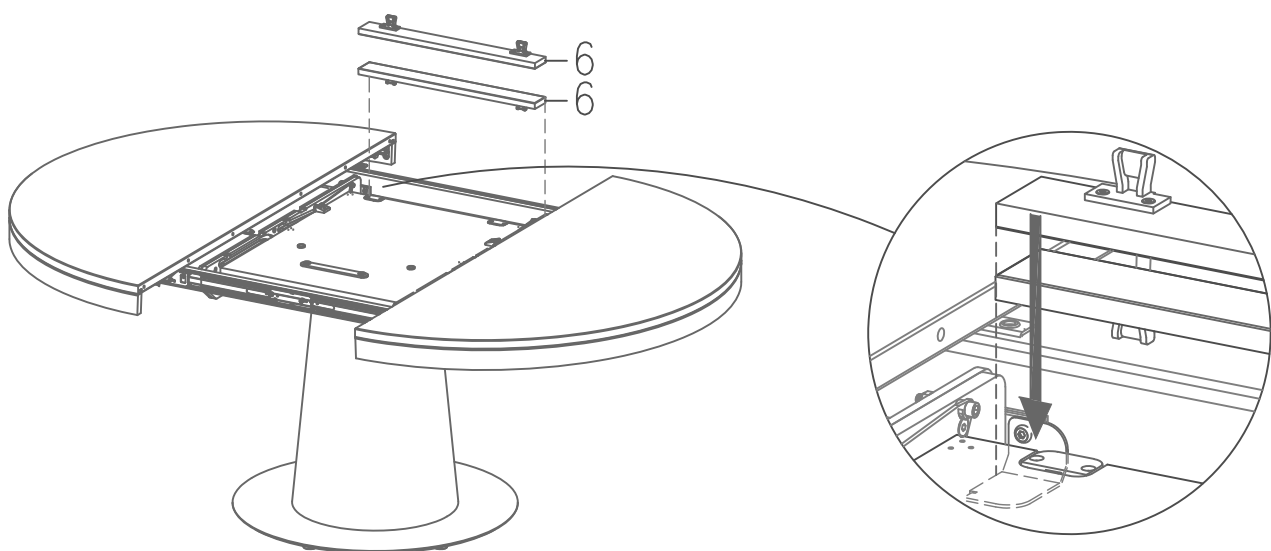
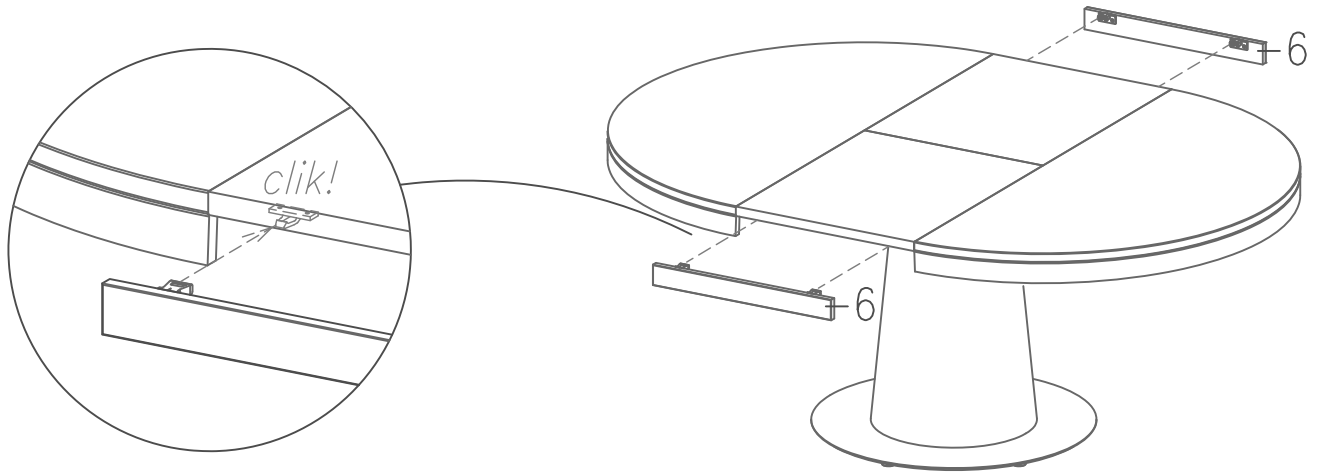


FIG. 16

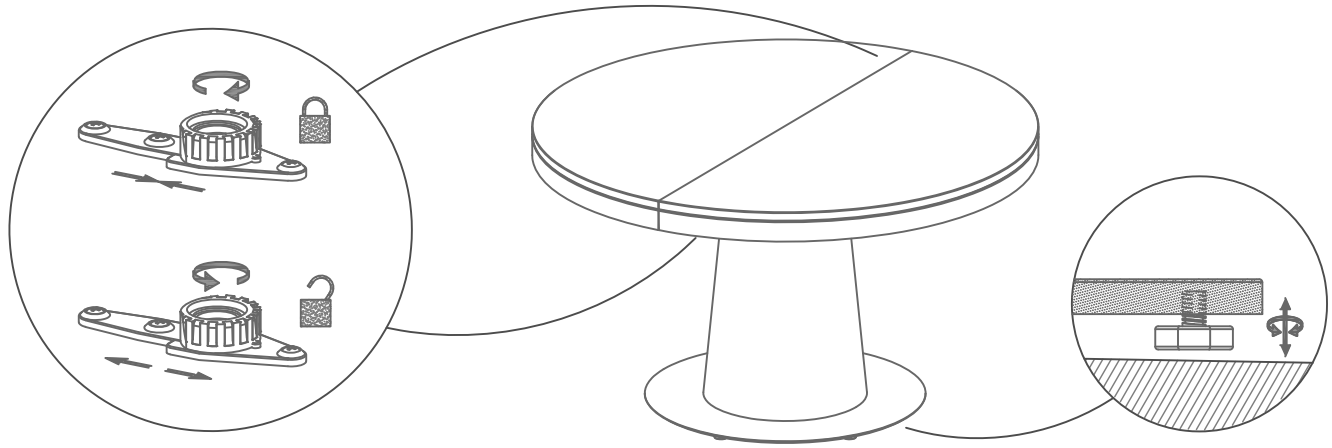
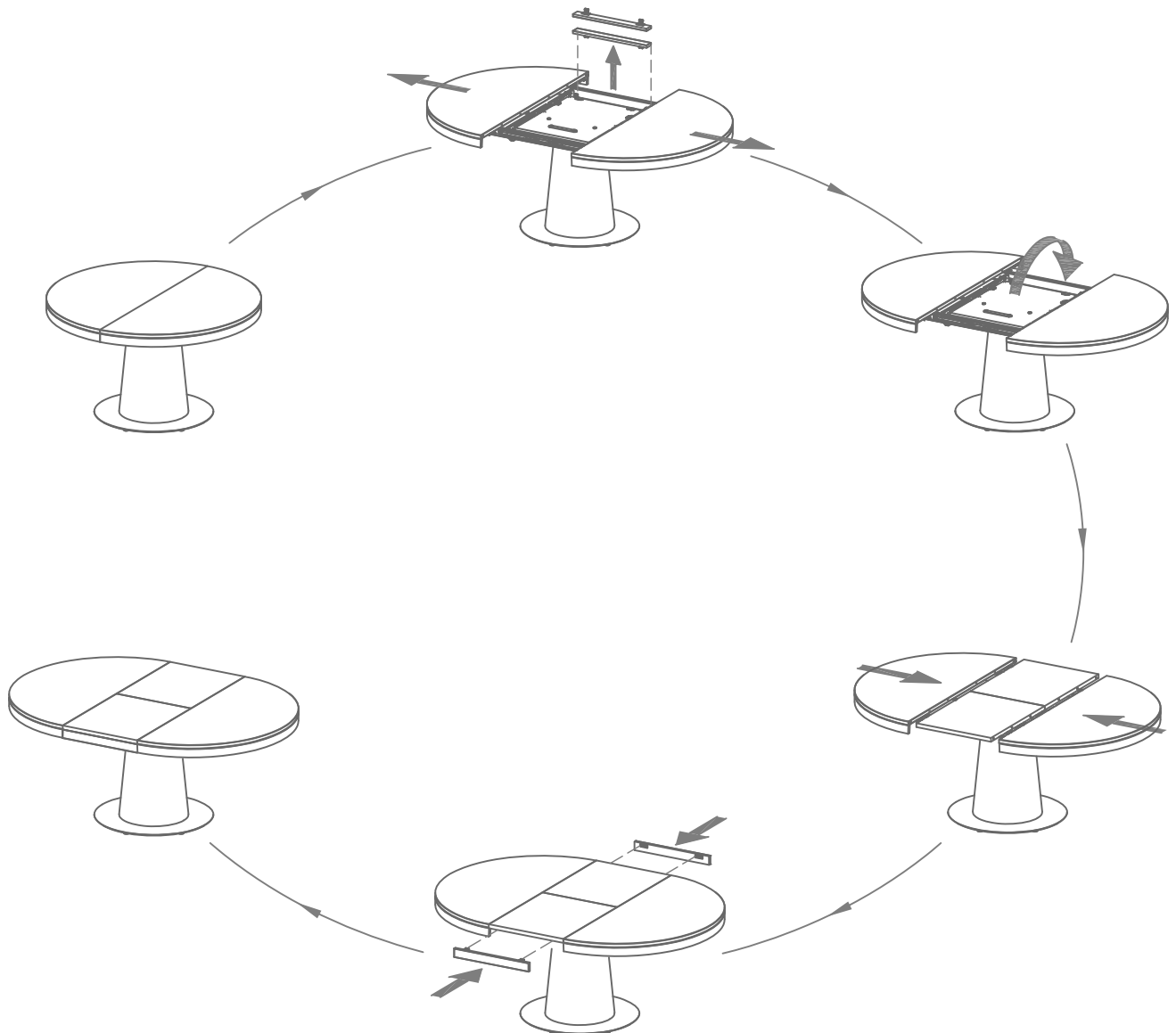


FIG. 17



DK Ved reklamation oplyses følgende:
 D Im Reklamationsfall, bitte folgendes erläutern:
 US In case of claims, please state the following:
 F En cas de réclamation, veuillez indiquer:
 NL Bij service volgene mededelen
 E En caso de reclamación, indicar lo siguiente:
 P No caso de reclamação, por favor indique o seguinte:
 JP お気づきの点等ございましたら、以下の点をお知らせください。

Example!

