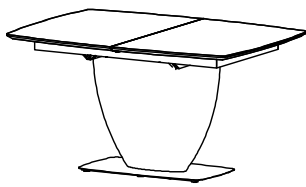


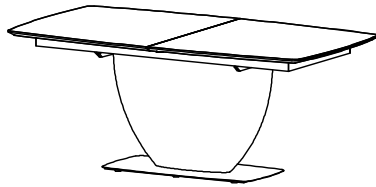
Butterfly table´s

Design by BoConcept

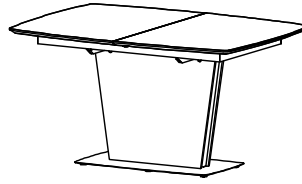
Samvejledning - Assembly Instructions - Montageanleitung - Instructions d'assemblage - Instrucciones de montaje



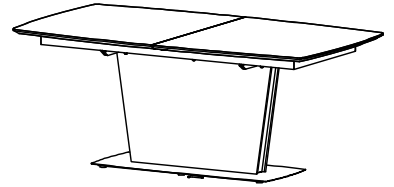
370-T080
4940-5430-5460



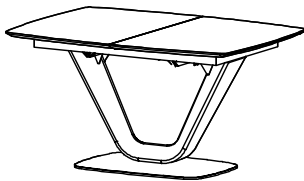
370-T081
4930-5420-5450



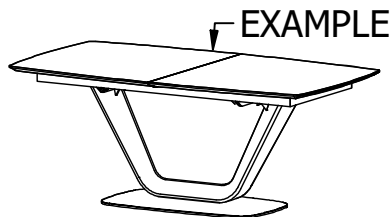
370-T082
5120-5430-5460



370-T083
5020-5420-5450



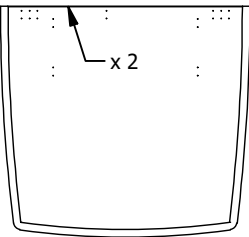
370-T084
5080-5430-5460



370-T085
5070-5420-5450

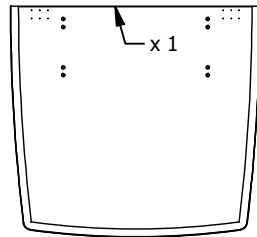
Occa 5450

006647 Wood



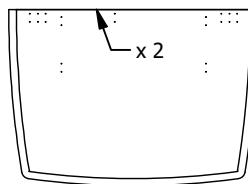
Occa 5451 x 2

006651 Ceramic

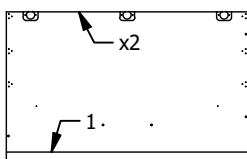


Occa 5460

006646 Wood
006650 Ceramic

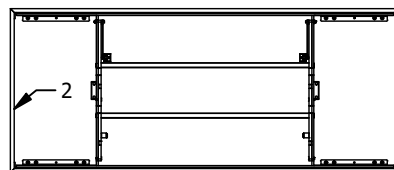


Occa 5421



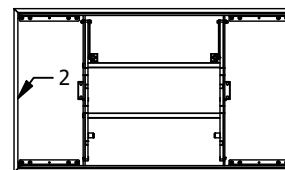
006649 Wood
006653 Ceramic

Occa 5422



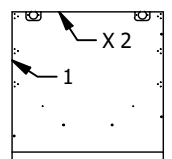
006659

Occa 5432



006660

Occa 5431



006648 Wood
006652 Ceramic

Col. 5421: 930001159

Col. 5431: 930001160



A x 4
970003110



B x 4
970001226



C x 1
970001693



D x 4
970001098



E x 8
970001294



F x 1
970001691



G x 3/2
970001278



H x 24
970000786



J x 2
970001300



K x 1
970001269



L x 2
970001289



M x 2
970001290



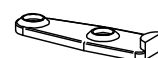
N x 4
970001214



P x 30
970000764



Q x 6
970001975



R x 2
970001083



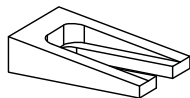
S x 2
970001084



T x 8
970001086



U x 8
970001059



V x 2
970001265



W x 16
970001248

FIG. 1

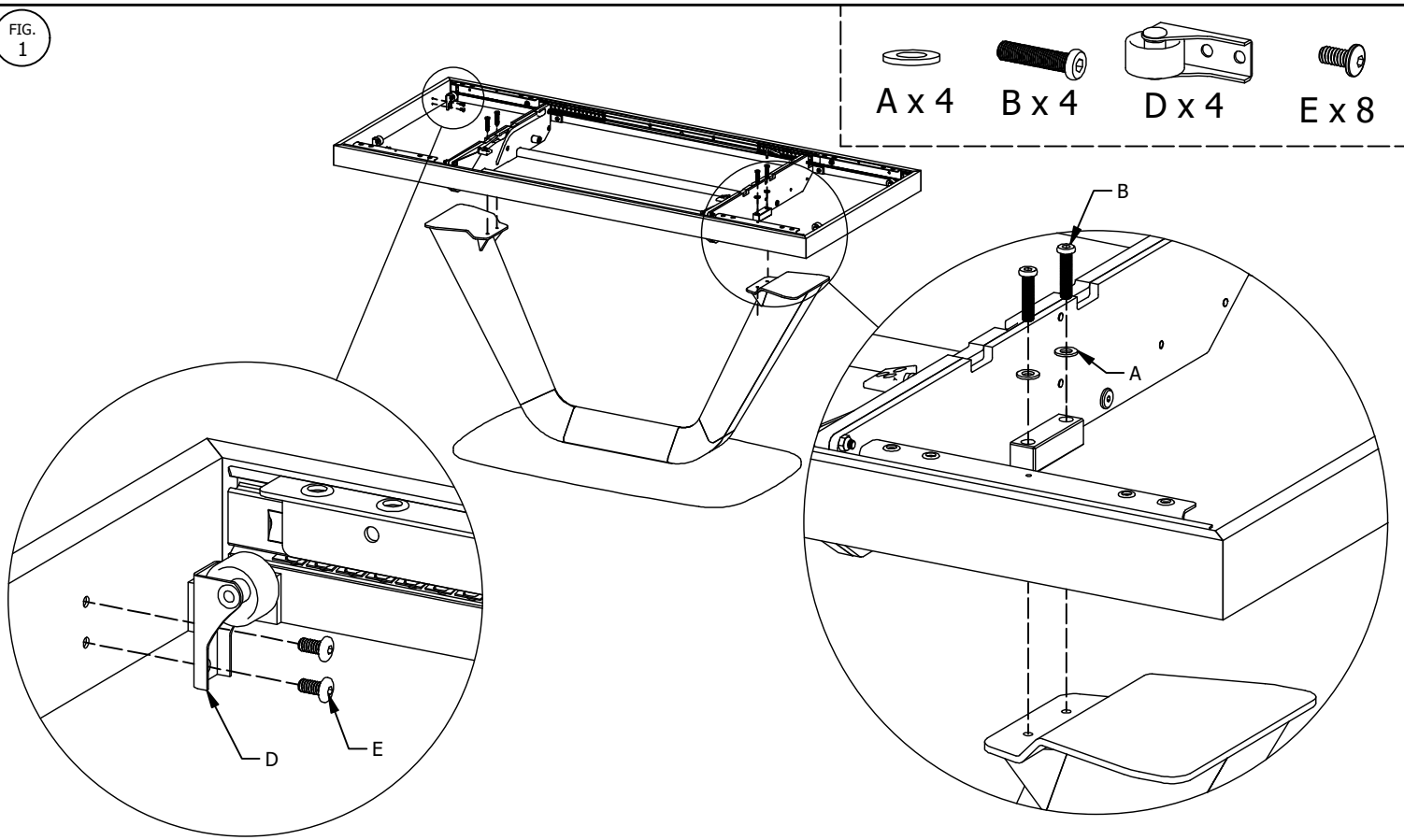


FIG. 2

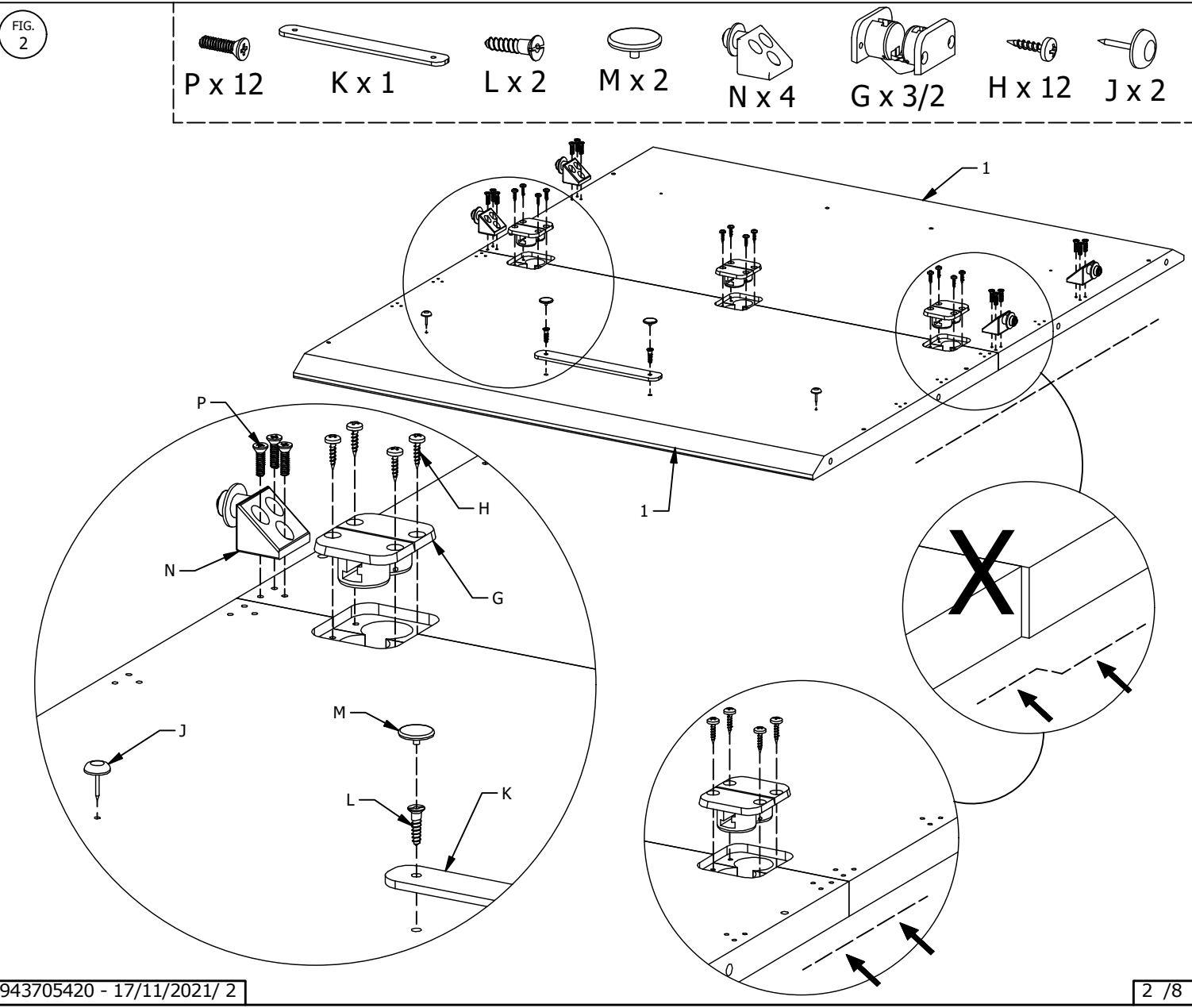


FIG. 3

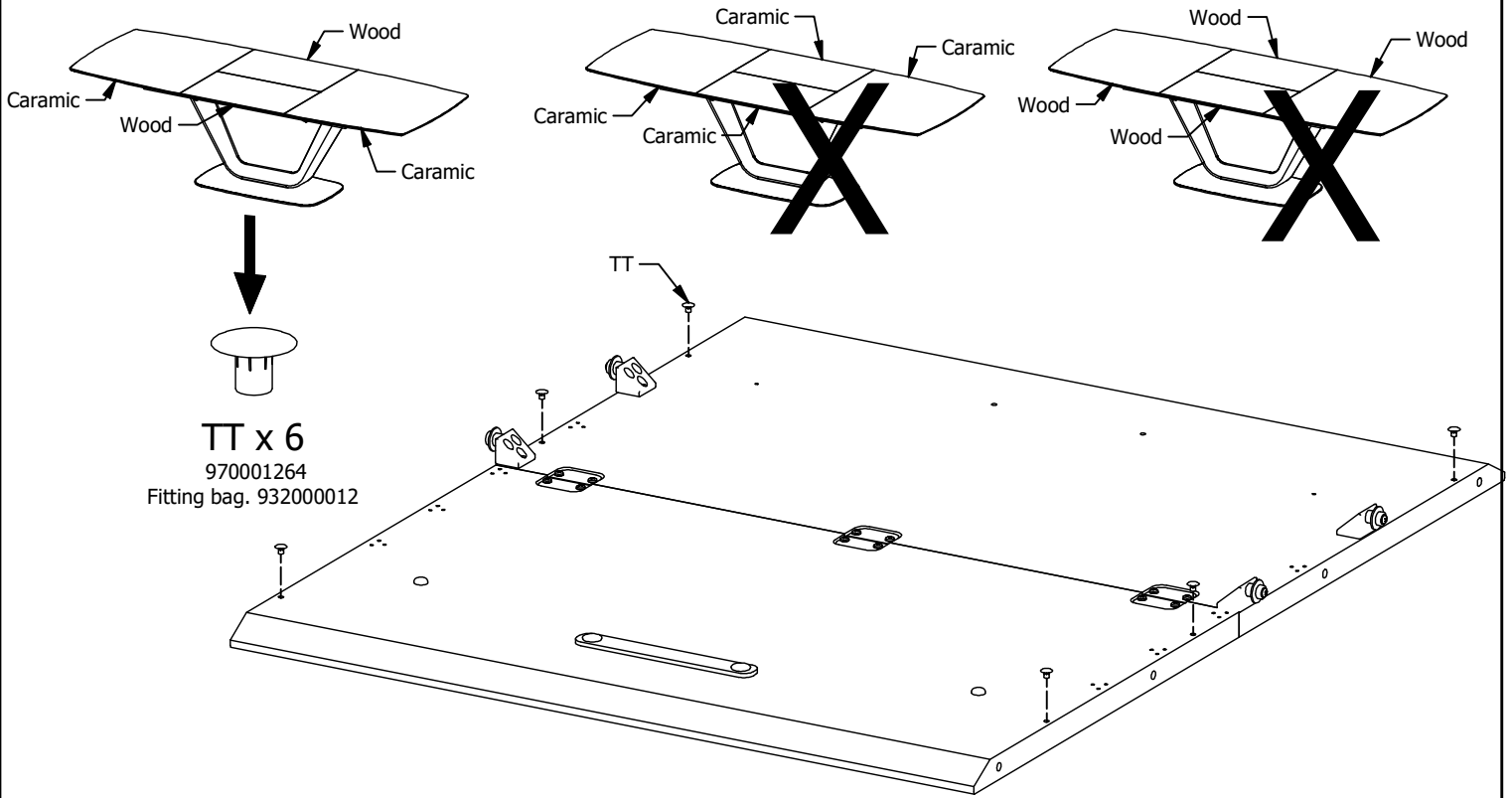


FIG. 4

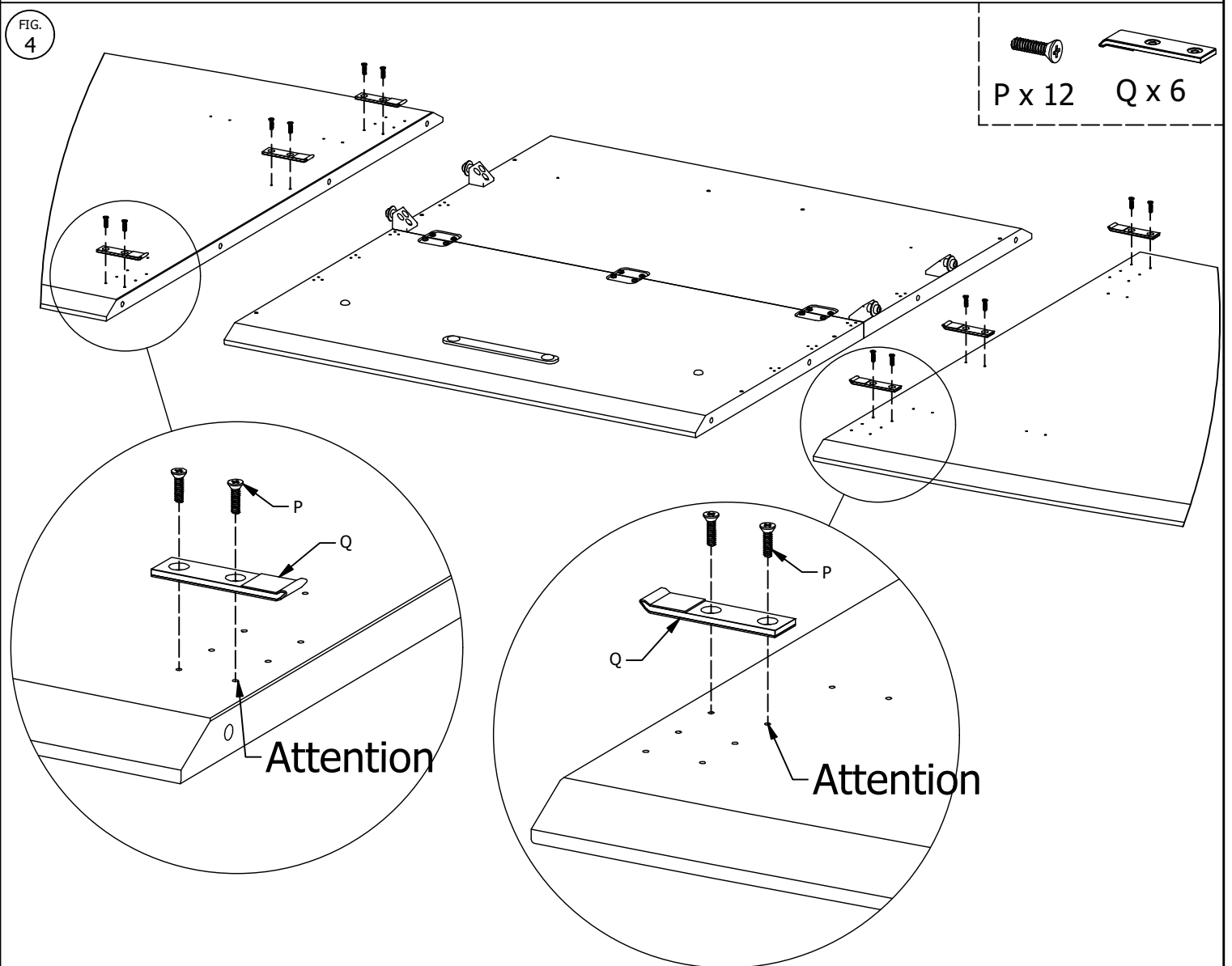







FIG. 5

-  T x 8
-  U x 8
-  R x 2
-  H x 8
-  S x 2

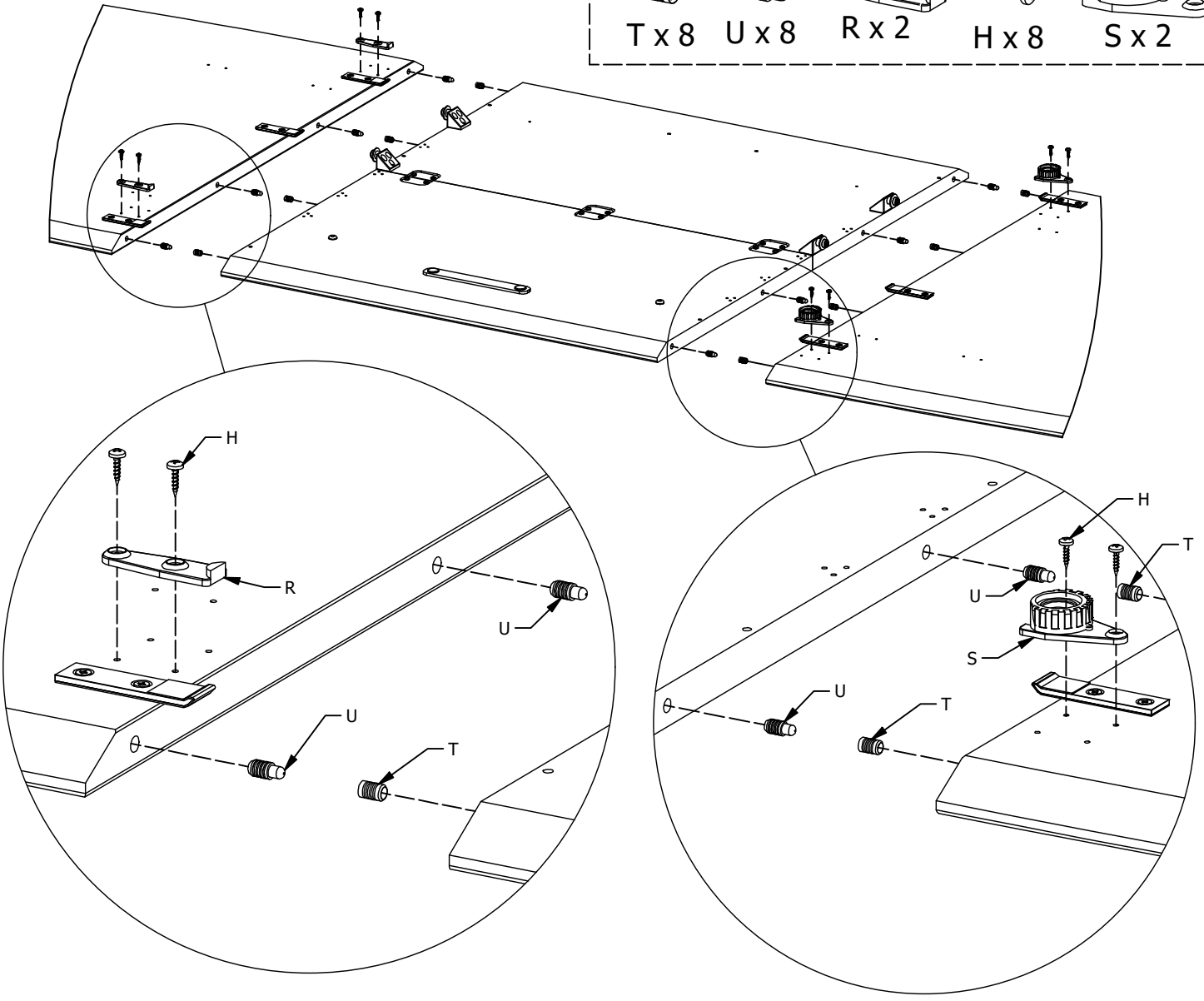


FIG. 6

-  P x 6

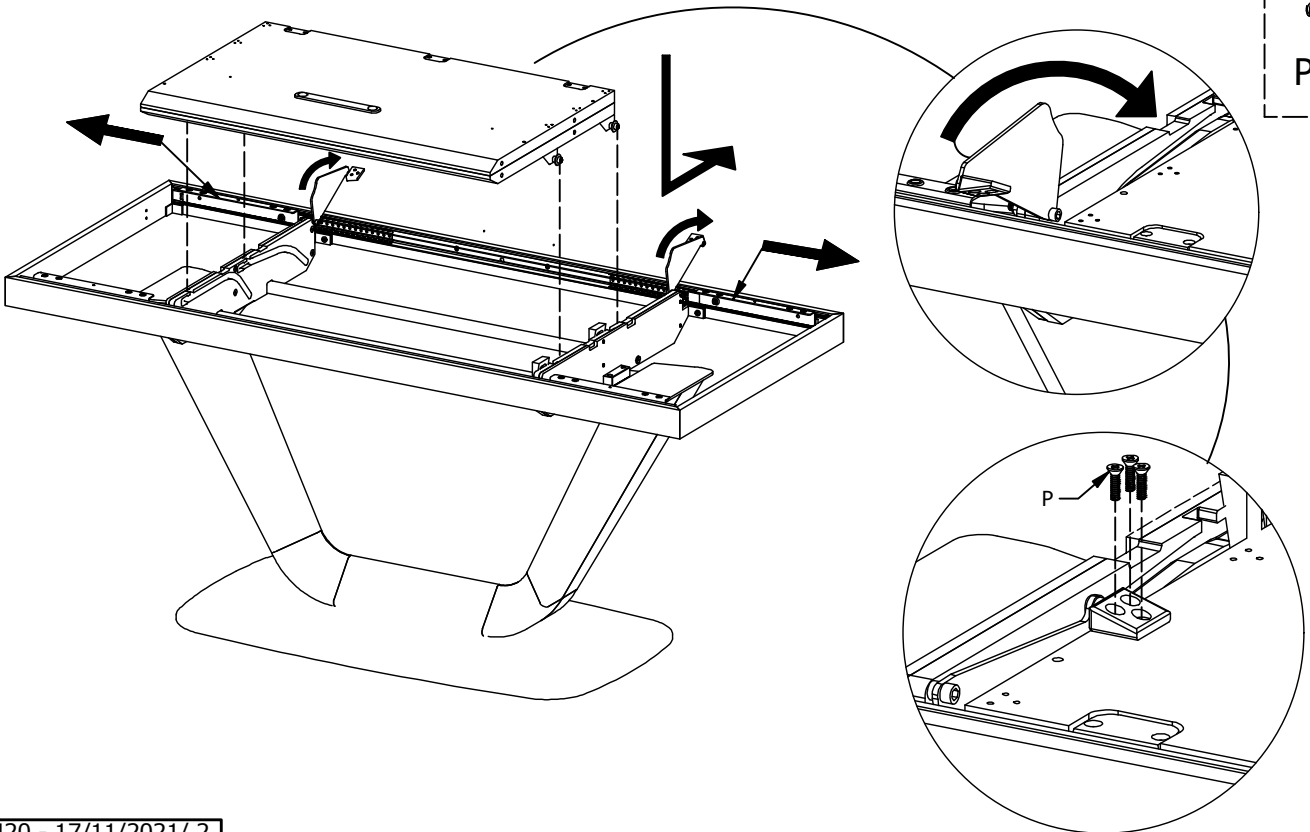


FIG. 7

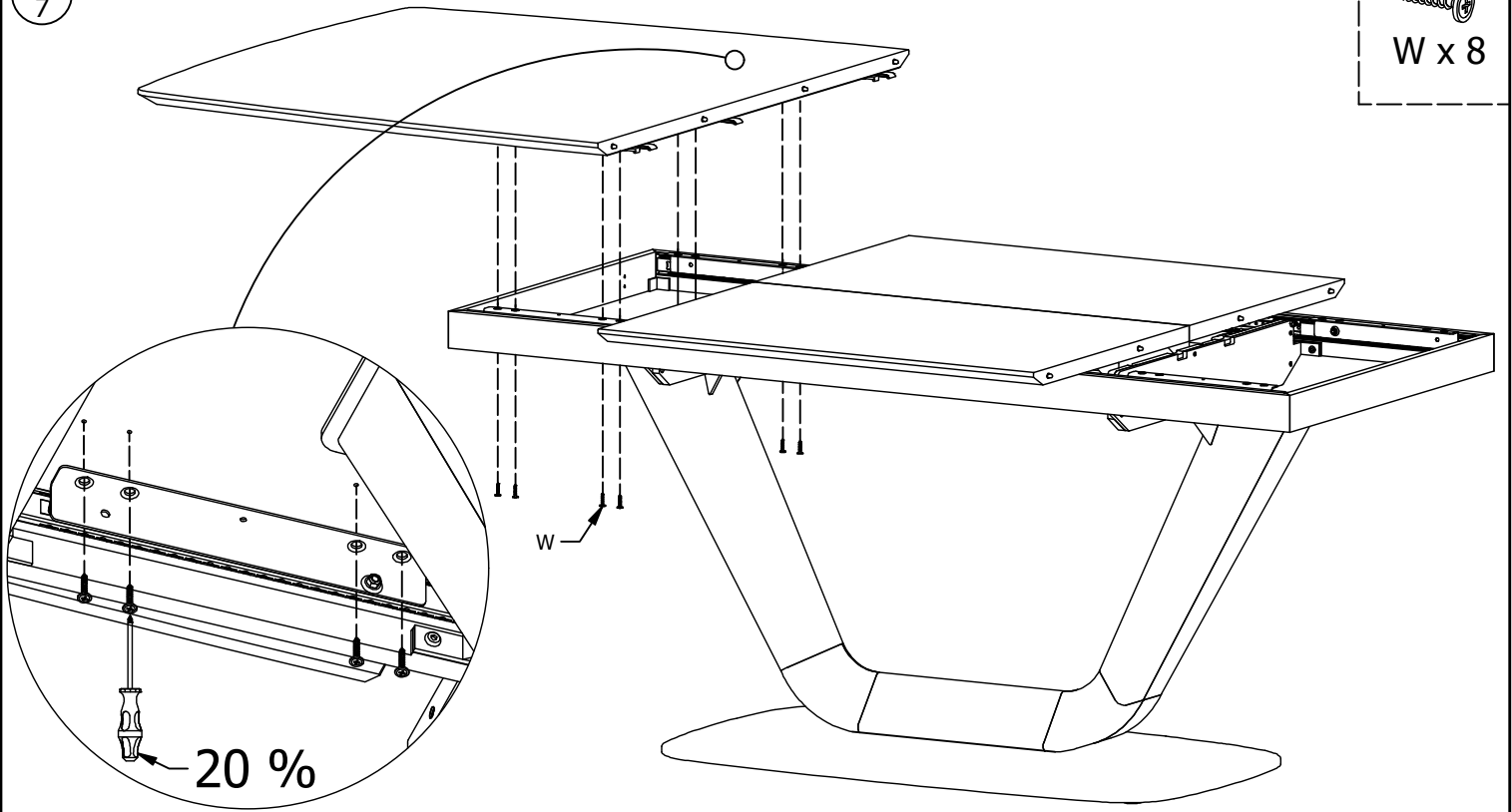


FIG. 8

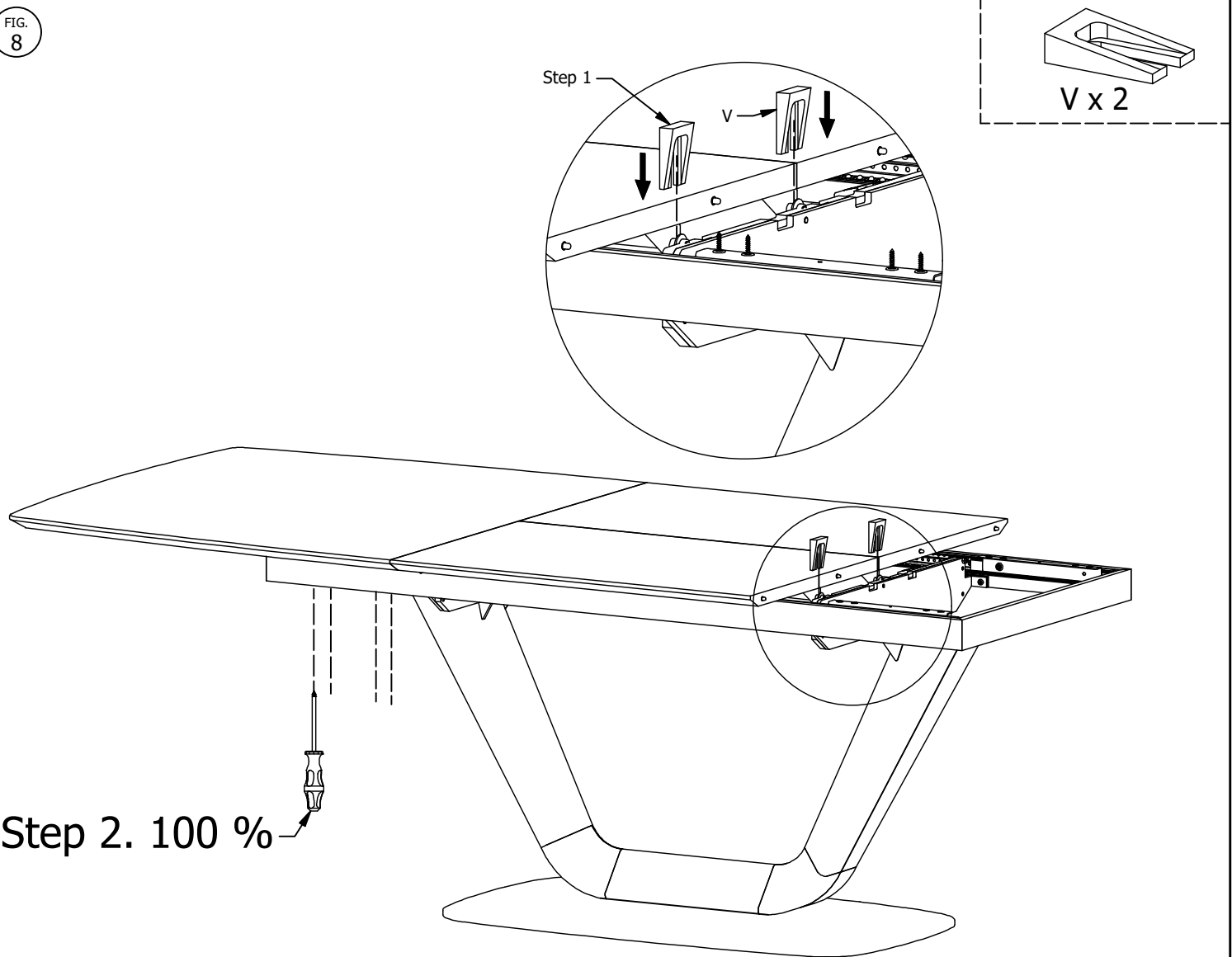


FIG. 9



W x 8

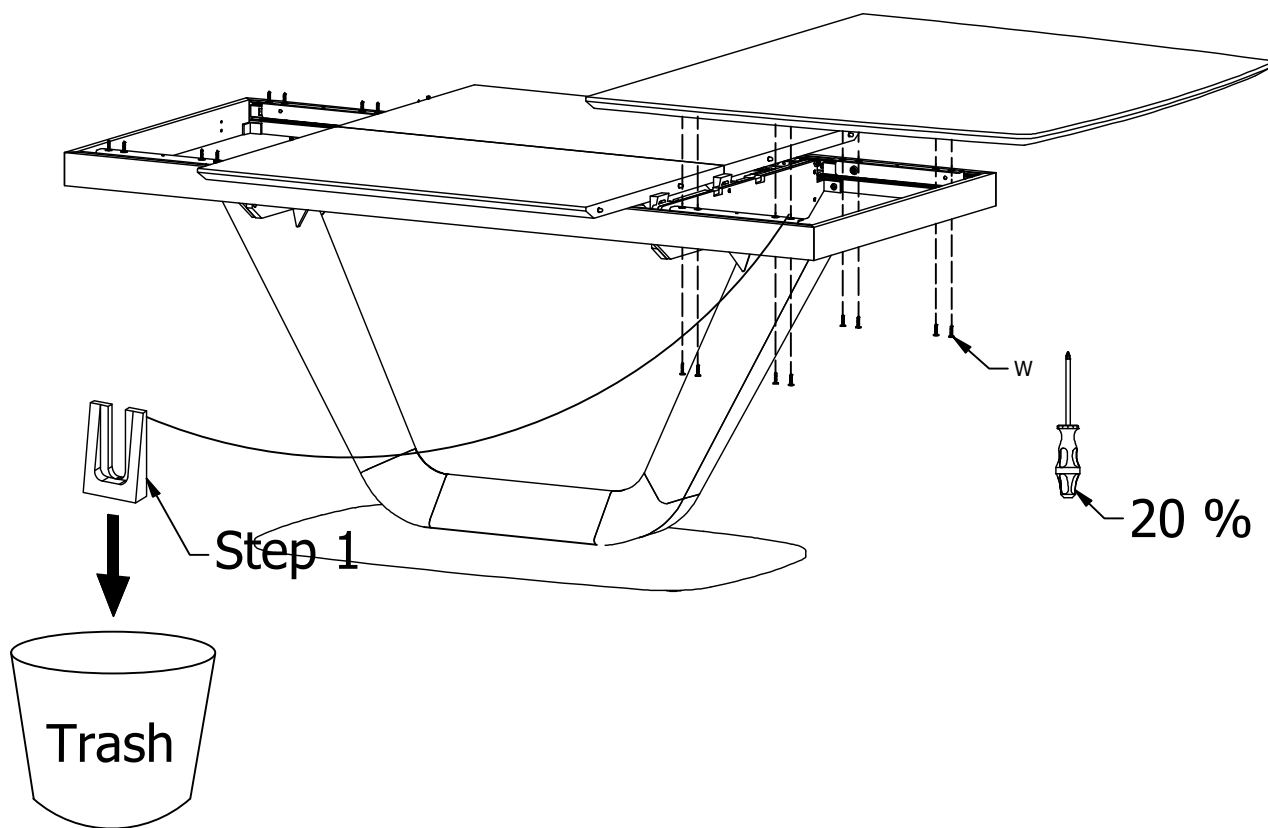


FIG. 10

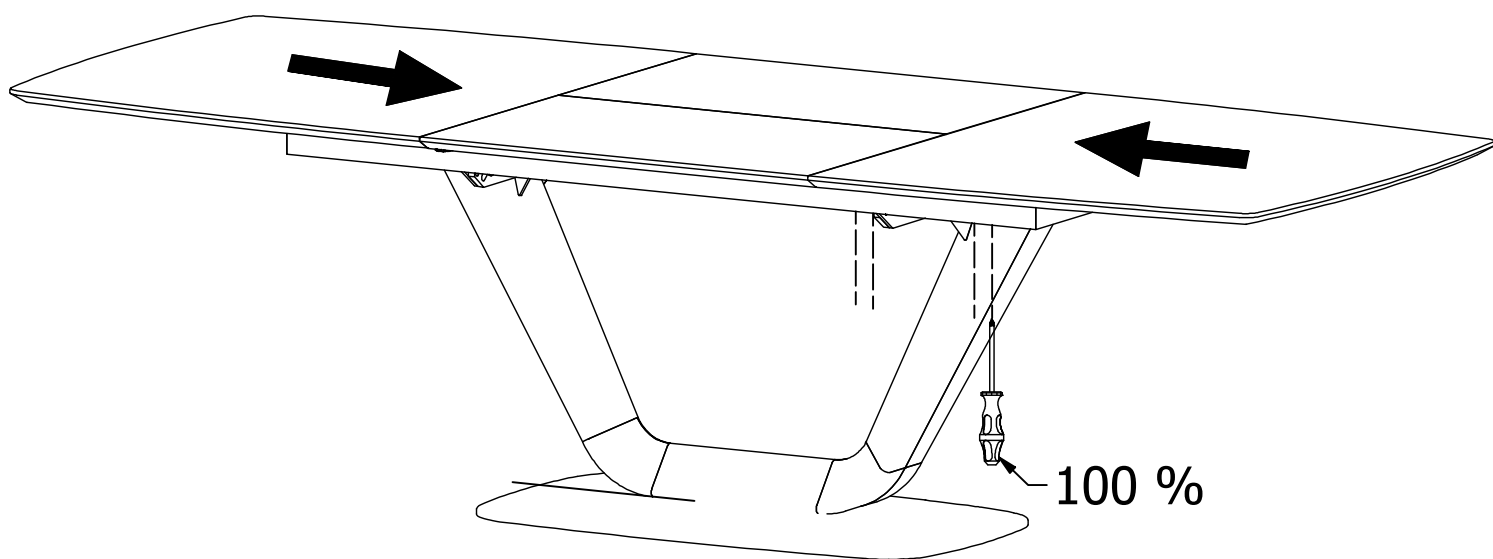


FIG. 11

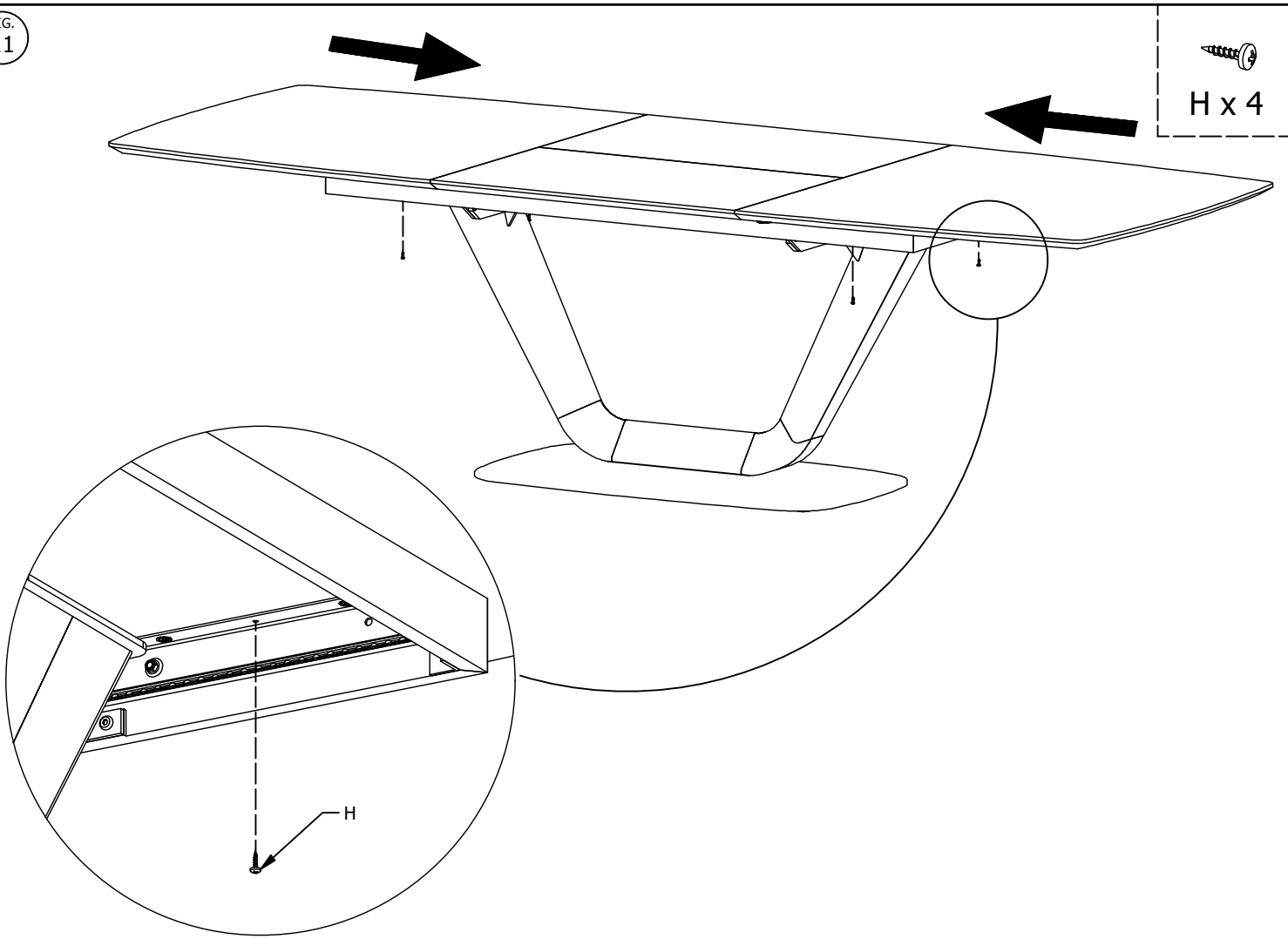
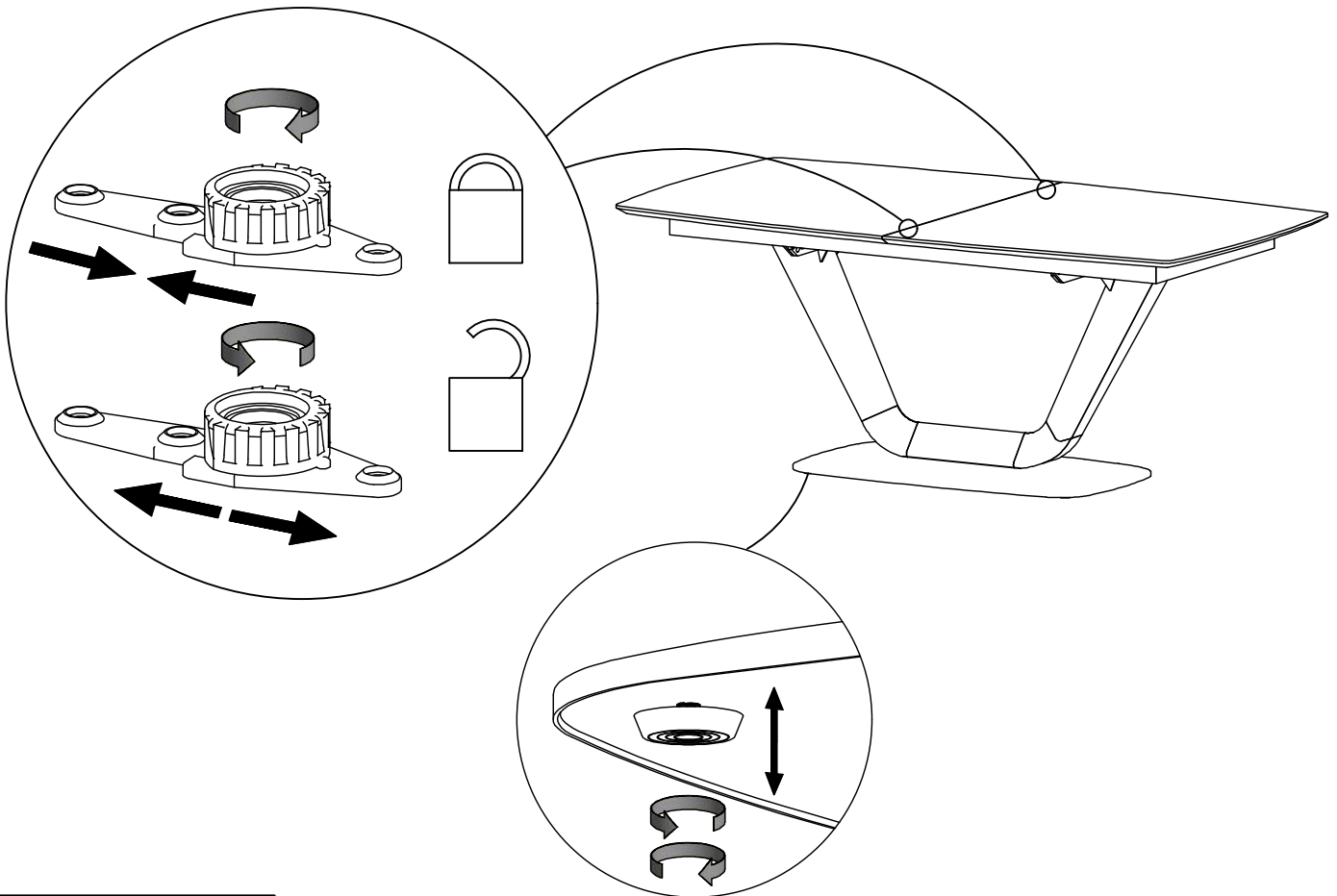
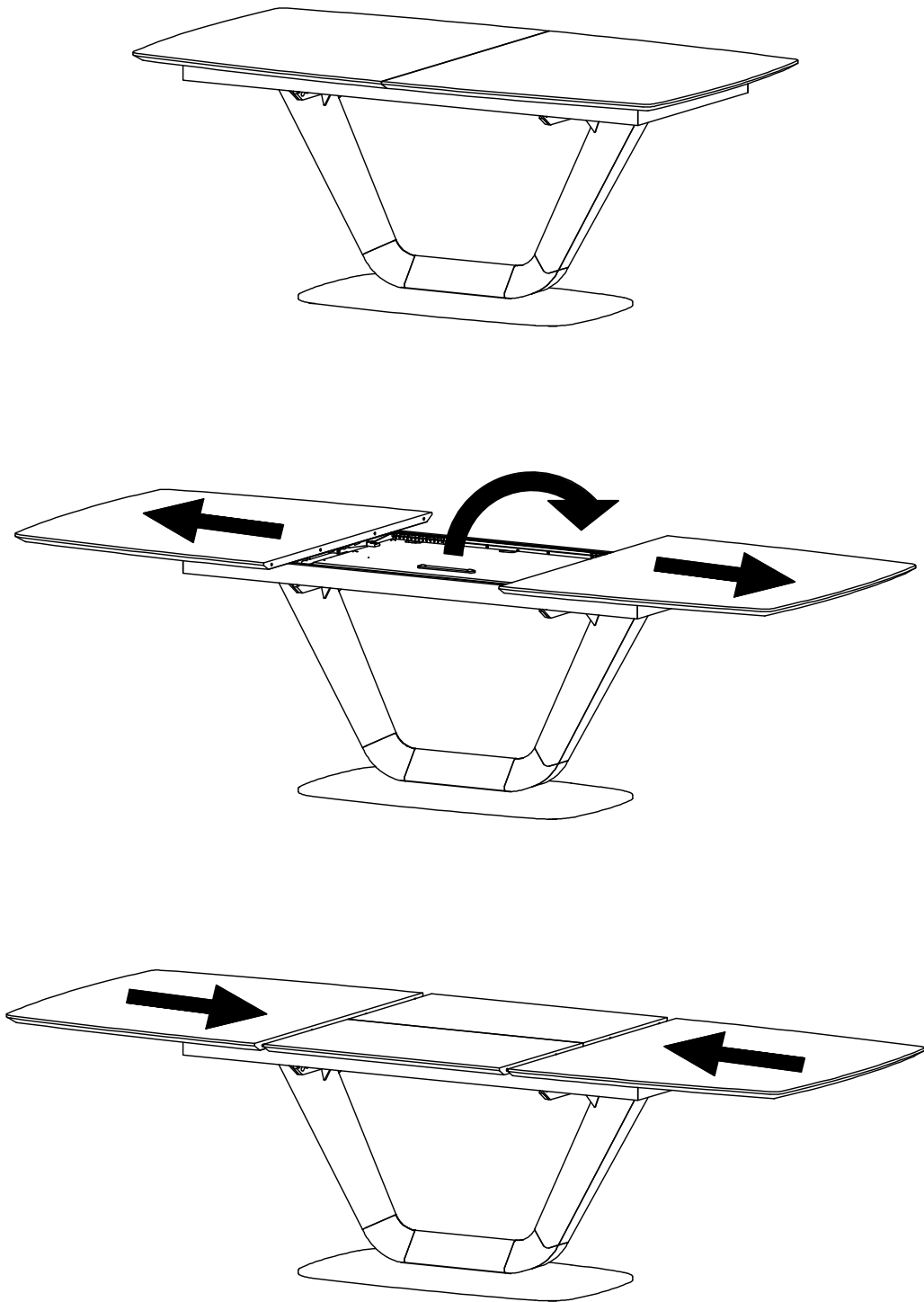


FIG. 12





DK Ved reklamation oplyses følgende:

D Im Reklamationsfall, bitte folgendes erläutern:

US In case of claims, please state the following:

F En cas de réclamation, veuillez indiquer:

NL Bij service volgene mededelen

E En caso de reclamación, indicar lo siguiente:

P No caso de reclamação, por favor indique o seguinte:

JP お気づきの点等ございましたら、以下の点をお知らせください。

Example!

