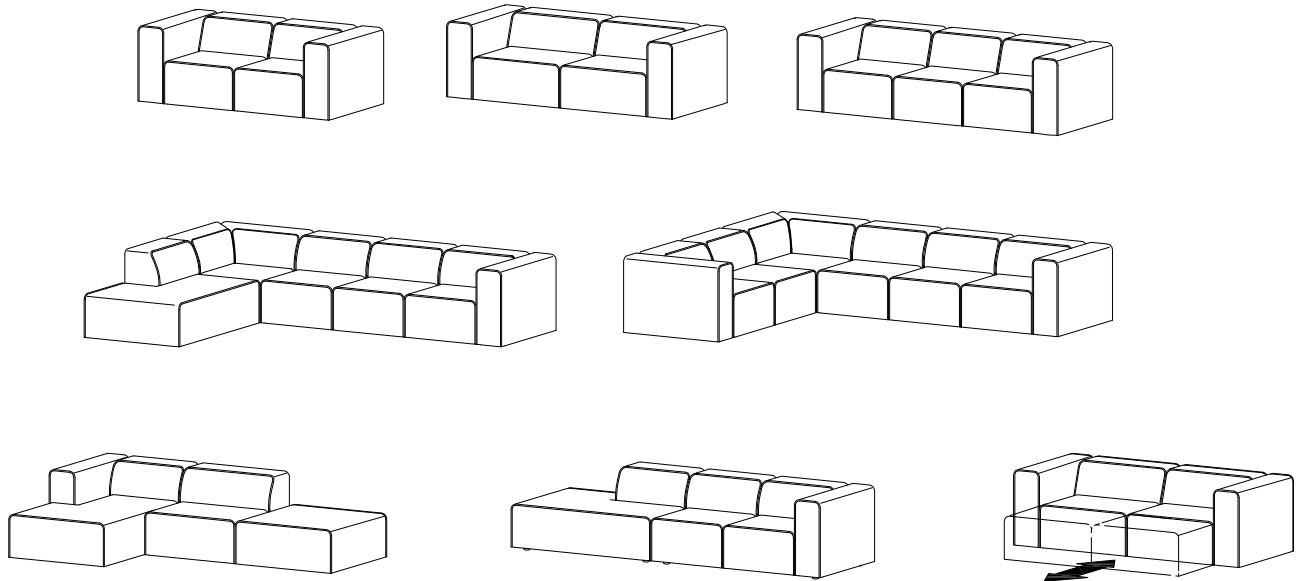


Carmo 2

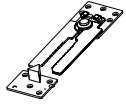
Design by BoConcept

Samvejledning - Assembly Instructions - Montageanleitung - Instructions d'assemblage - Instrucciones de montaje



Fittings

697000010



B x 2
Connector



C x 10
Woodcrew
3,5x20 mm

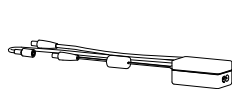


D x 10
Woodcrew
5x20 mm

sparepart bag 697000020



A x 4
Carmo leg



US



AUS

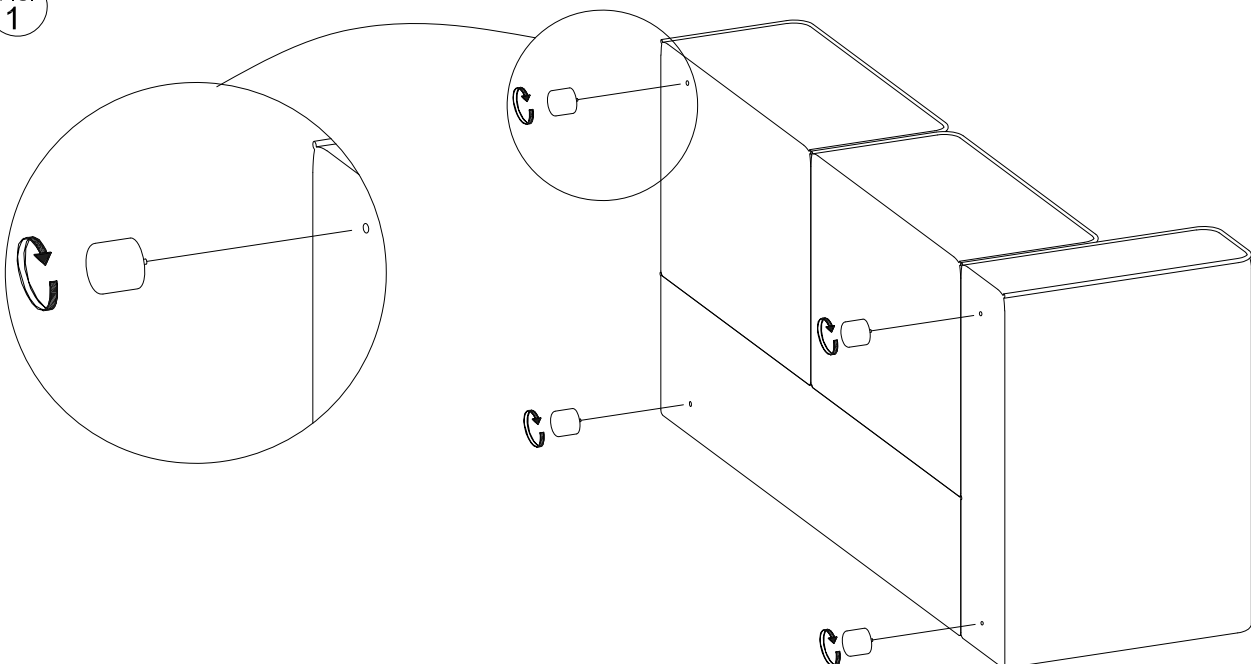


EU



UK

FIG.
1



A x 4

