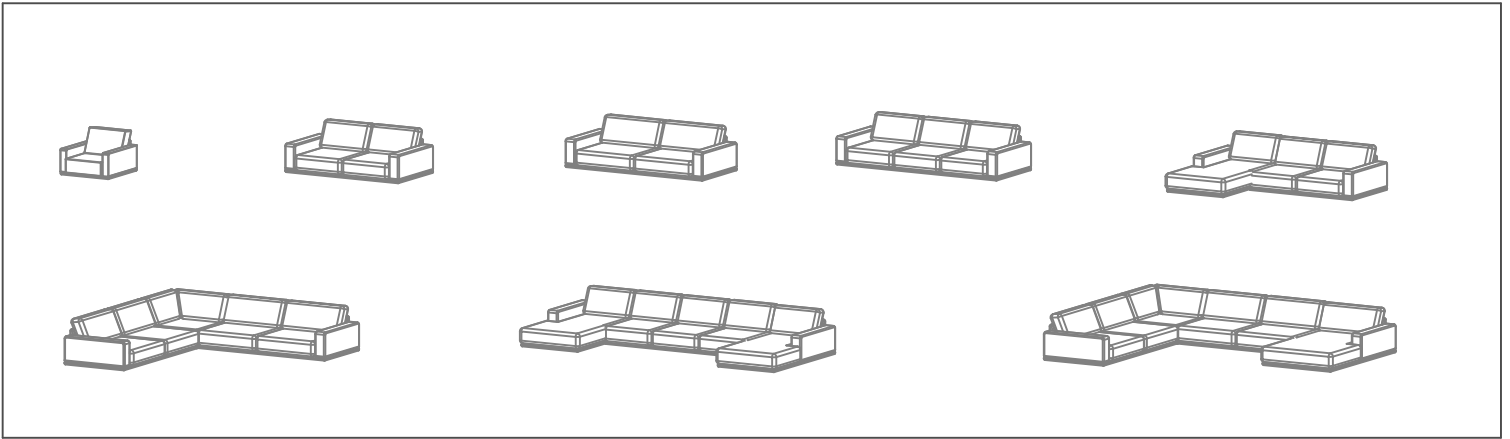


Carlton

Design by BoConcept

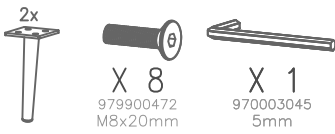
Samvejledning - Assembly Instructions - Montageanleitung - Instructions d'assemblage - Instrucciones de montaje



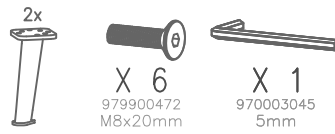
Beslag – Beschläge – Fittings – Set de montage



Leg no. 4200



Leg no. 4300



Leg no. 4180

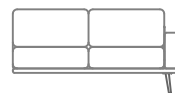
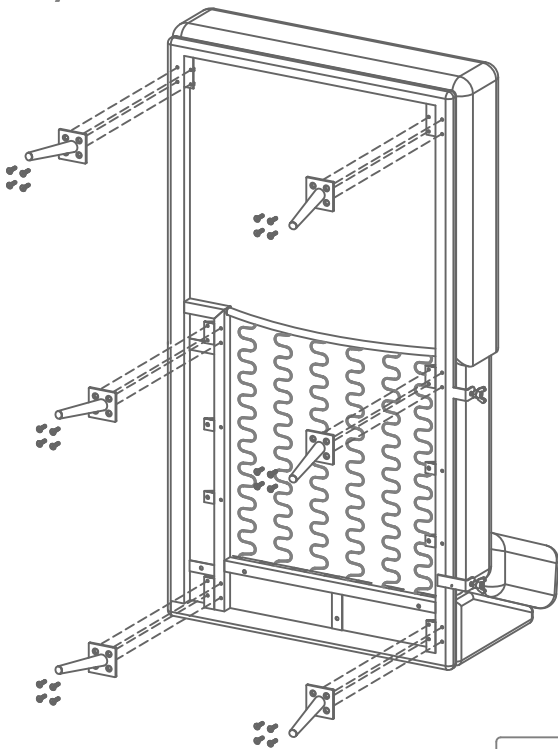


FIG.
1



Example

no. 4200/4300



no. 4180

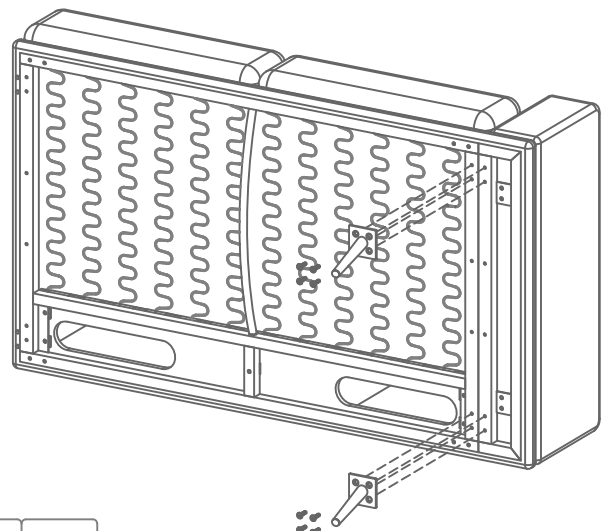
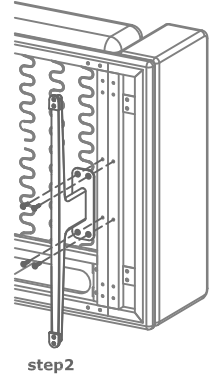
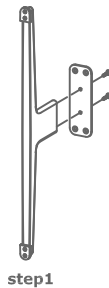


FIG. 2



Example

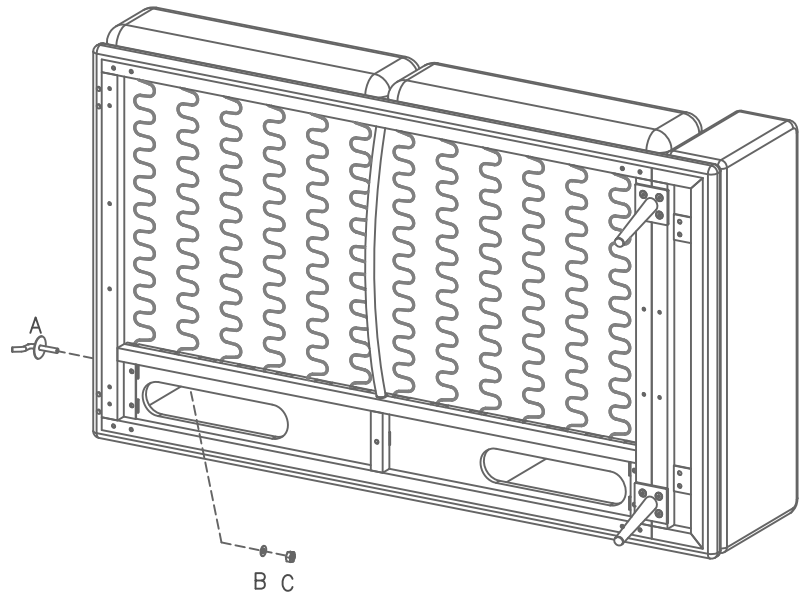
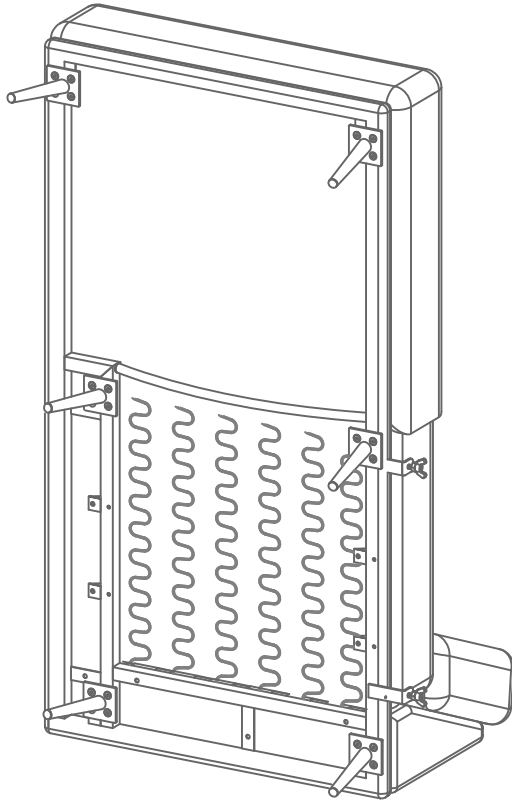


FIG. 3

