

# 3650

50x240x54,3 cm / max. 80 kg

## Korpus - Korpus - Carcase - Carcasse

<p>3601</p> <p>002071</p> <p>002067</p>	<p>3652</p> <p>002068</p> <p>x2 002069 2</p> <p>x2 002384/002087 6</p> <p>x2 002090/002383 7</p>	<p>3604</p> <p>002073 12/22 left</p> <p>x2 002072 14/24</p> <p>002088 13/23 right</p>
<p>3653</p> <p>x3 002089 3</p> <p>x2 002079 11</p> <p>x2 001828 8</p> <p>x2 001827 10</p> <p>x2 002781 16</p> <p>x4 002782 15</p>		

## Beslag - Fittings - Beschläge - Set de Montage

collie: 3652  
 Fitting box: 930000916 (White)  
 Fitting box: 930000782 (Oak)  
 Fitting box: 930001118 (Dark oak)

 A X 42 970001690 8x30mm	 B X 33 970001697	 C X 33 970001696 ø3x11mm	 D X 9 970000781 D15 M6x12,5mm	 E X 18 970001383 white 970001139 oak 970001385 dark oak
 F X 6 970001723 4,2x45mm	 G X 9 970001682 M6x55	 H X 16 970001705	 J X 16 970001704	 K X 16 970001703 4,2x10,5mm
 P X 4 970001686 7x1,5mm	 V X 8 970001027 13,5x4,2mm	 W X 2 970001016 left		
 Z X 2 970001017 right	 Y X 12 970001154 5x30mm	 AA X 8 970001122 ø4x8	 BB X 1 970001692 4mm	

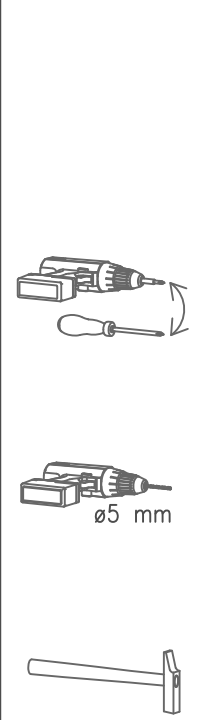
collie: 3653  
 Fitting box: 930000678

 C X 8 970001696 ø3x11mm	 F X 8 970001723 4,2x45mm	 L X 8 970001056
 M X 2 970000576 392mm	 N X 4 970001724 3,0x12mm	
 S X 16 970001680 4,2x9,5mm	 T X 4 970001146	 U X 4 970001004
 G X 4 970001686 7x1,5mm	 CC X 8 970001204 charcoal	

Fitting box: 930000020 x2

 R X 1 970000568 right 400mm	 Q X 1 970000569 left 400mm
---------------------------------------	--------------------------------------

## Værktøj Werkzeuge Tools - Outils



# Attention!

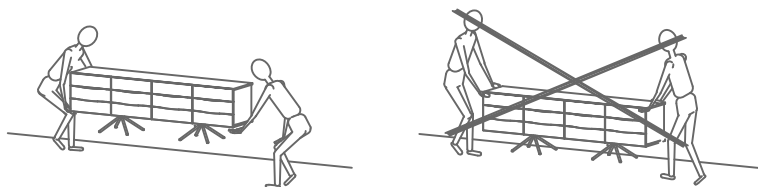


FIG. 1

A X 42  
8x30mm

B X 33

C X 4

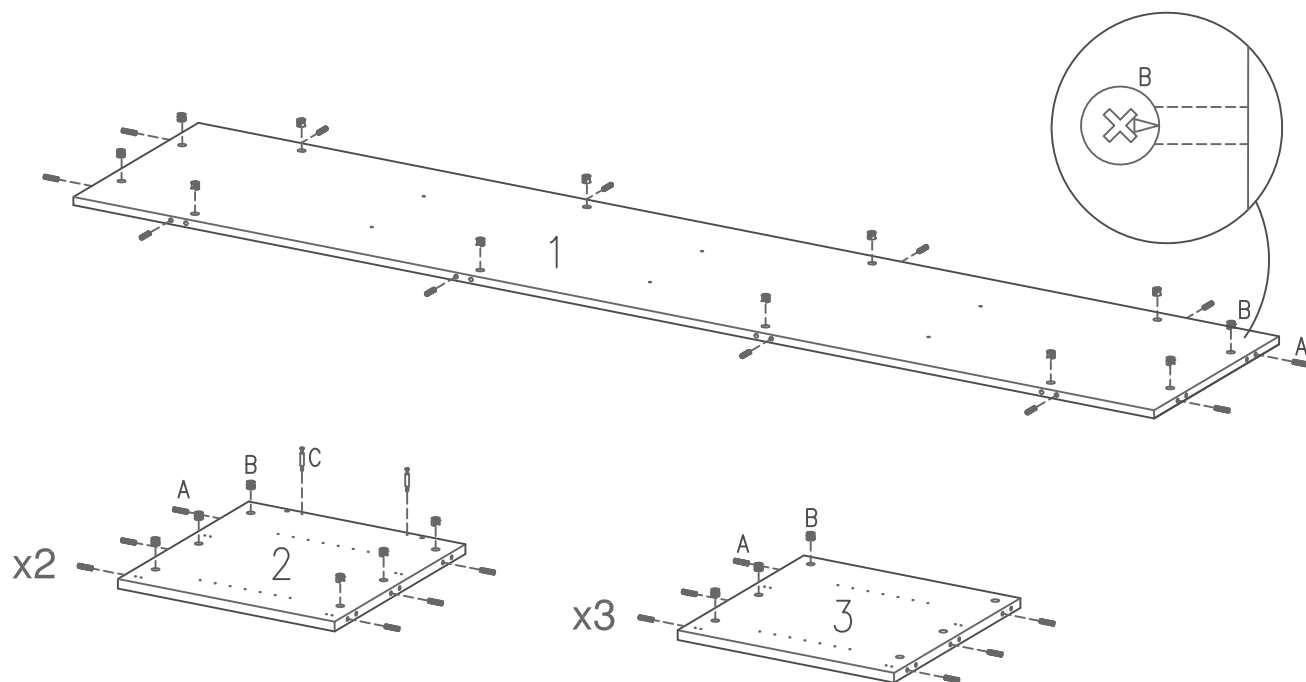


FIG. 2

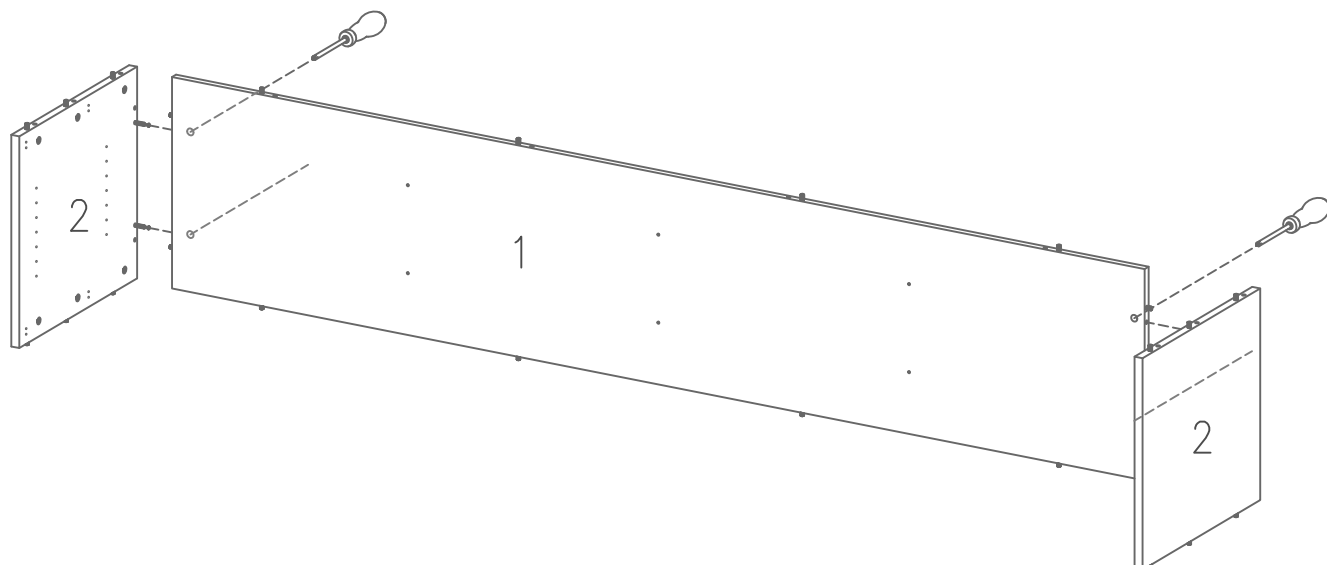


FIG. 3



C X 10

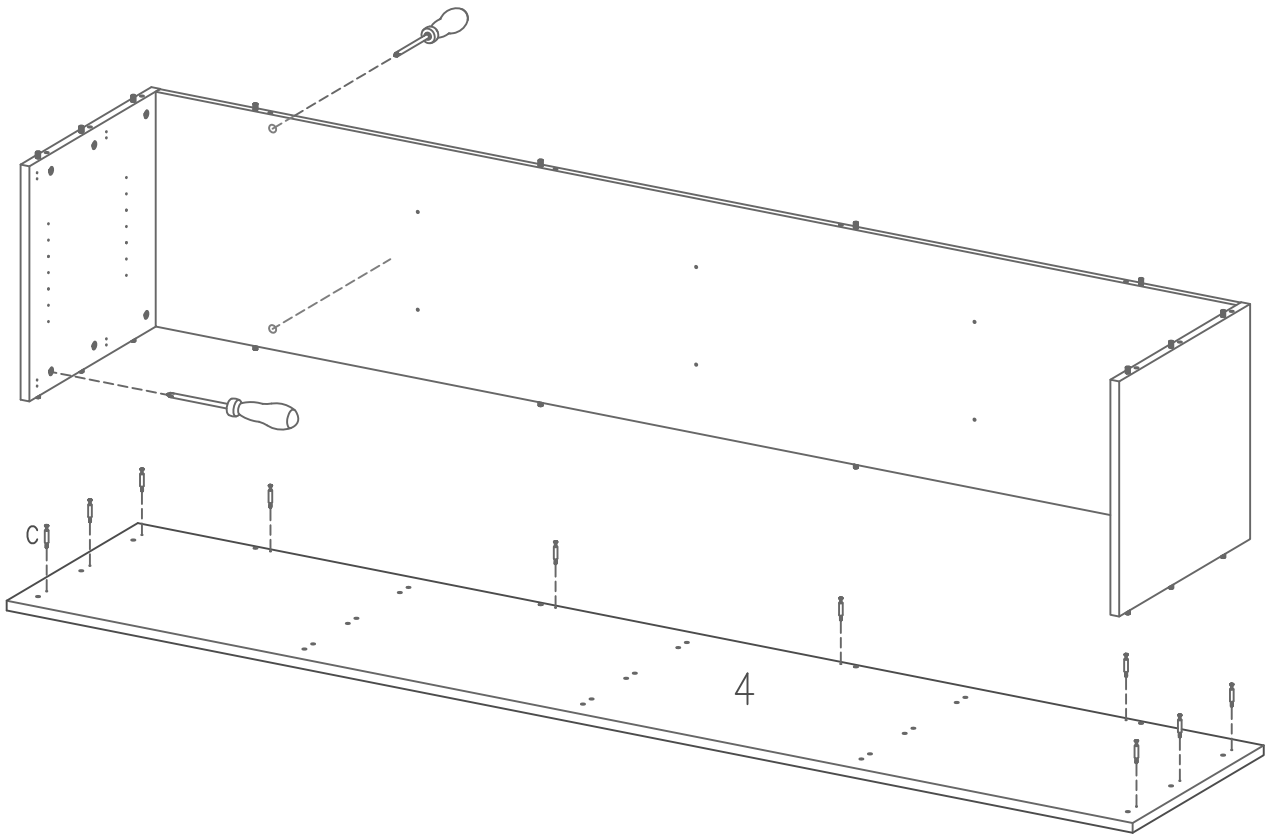


FIG. 4



D X 9  
D15 M6x12,5mm

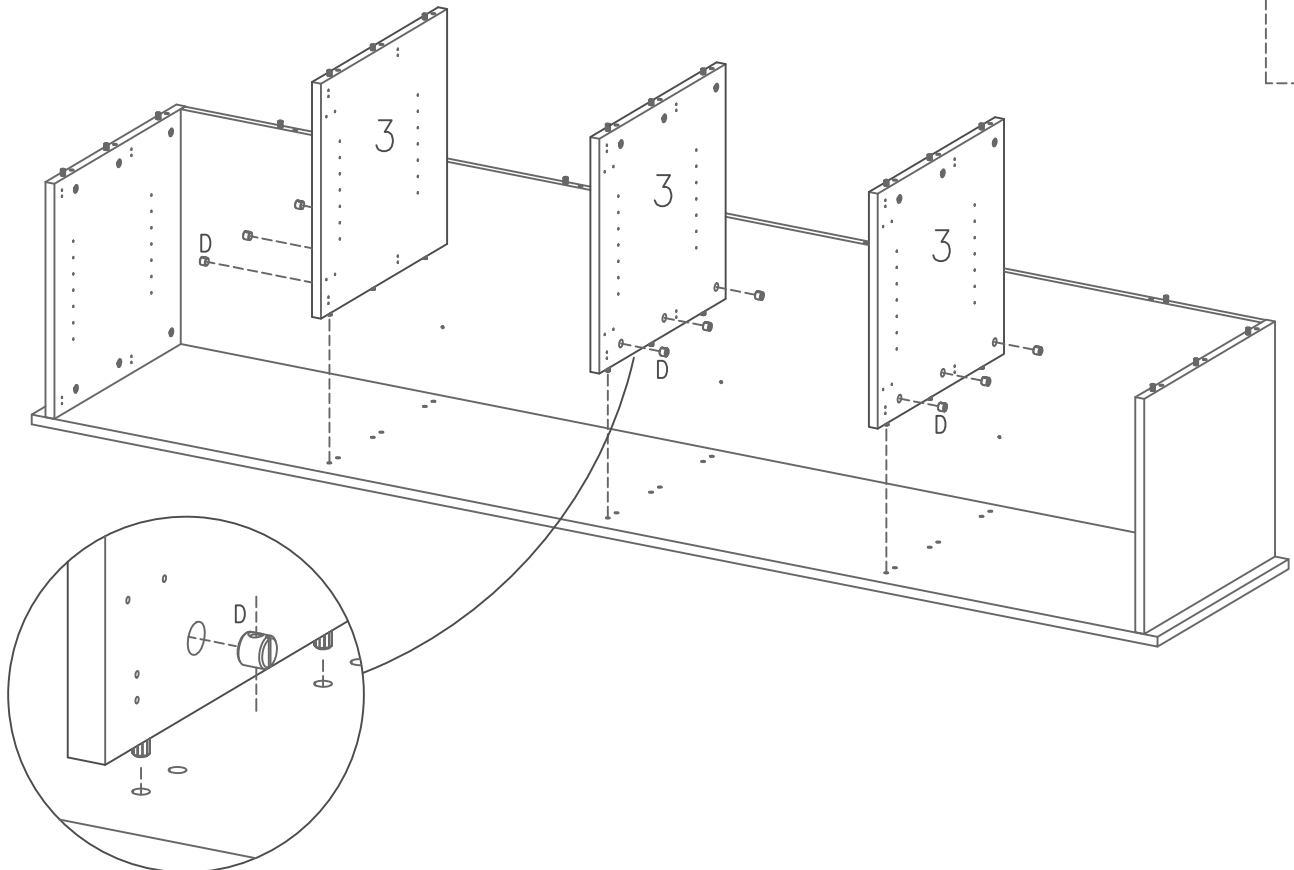


FIG. 5



C X 19

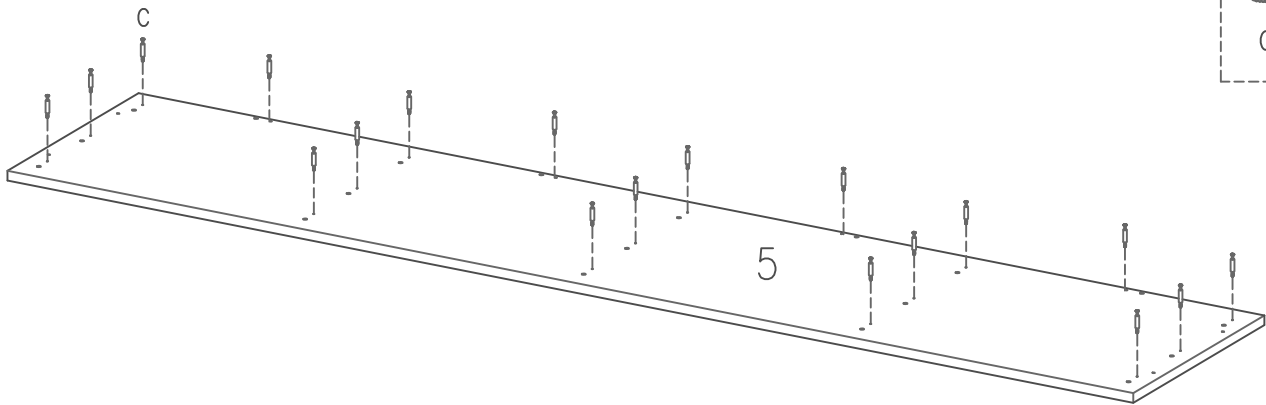


FIG. 6



E X 18

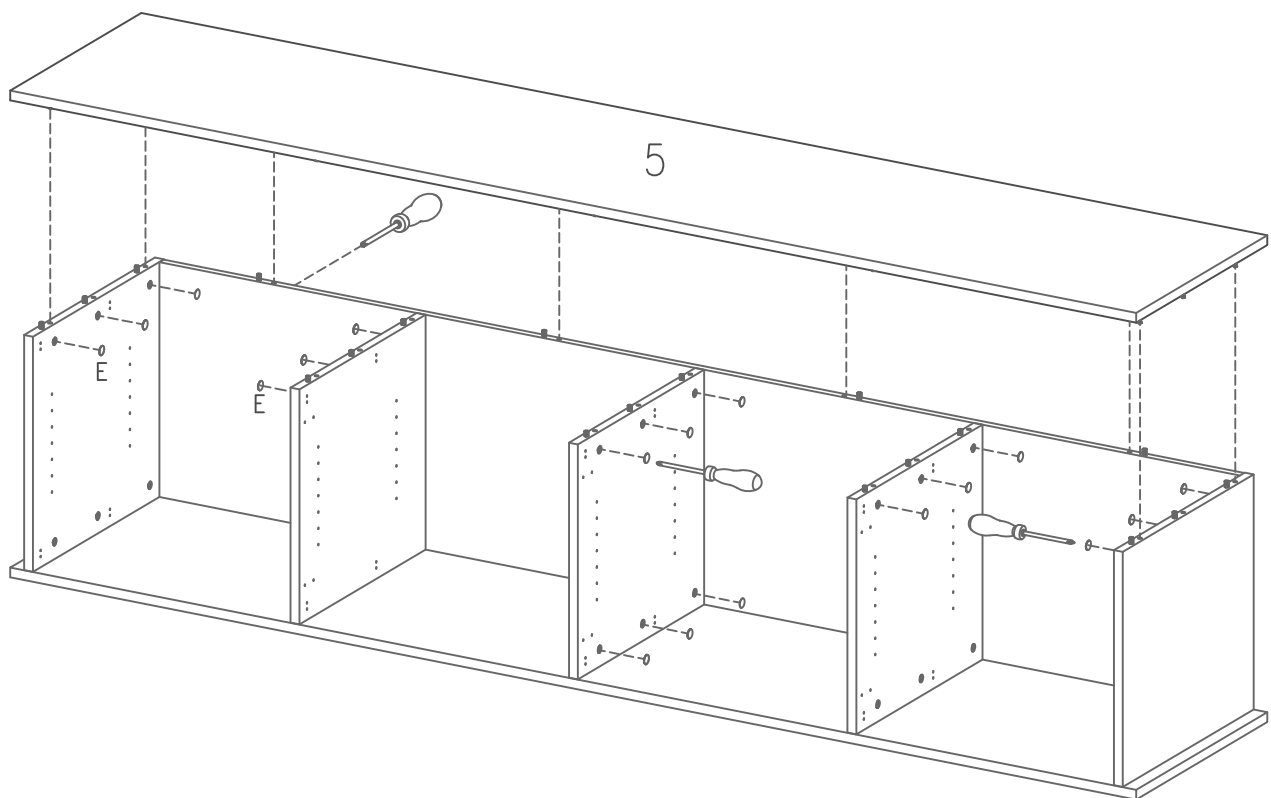


FIG. 7



F X 6  
4,2x45mm

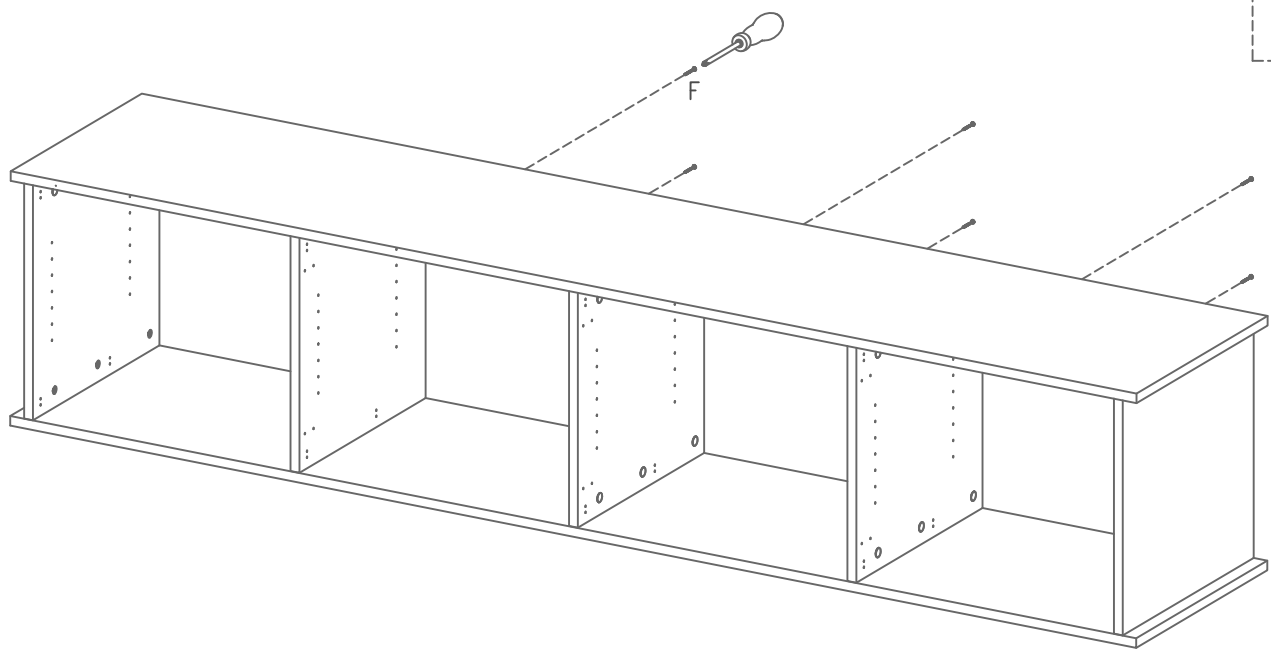


FIG. 8

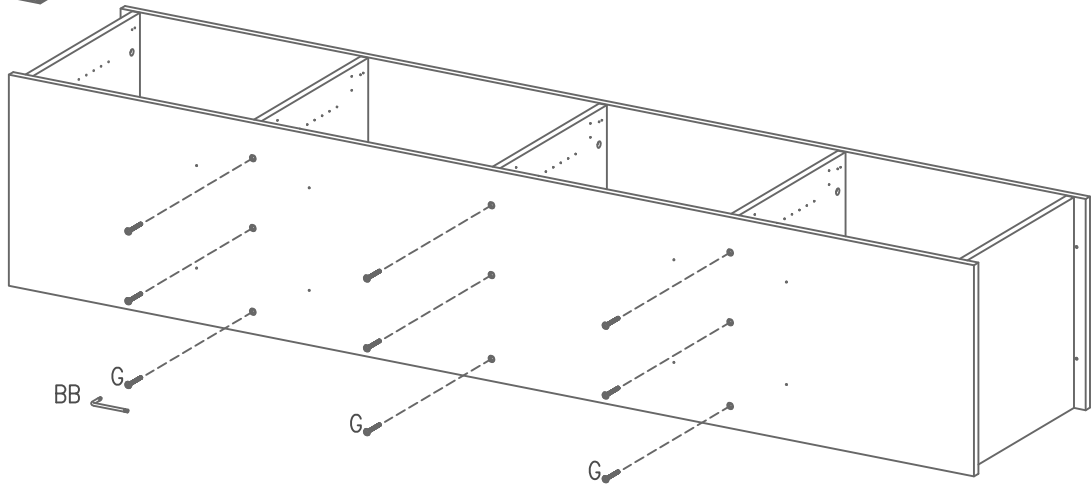
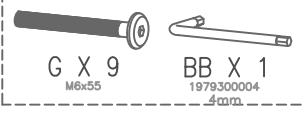
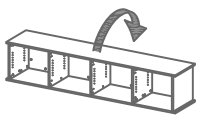
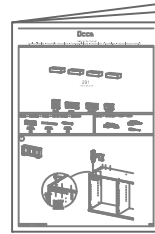
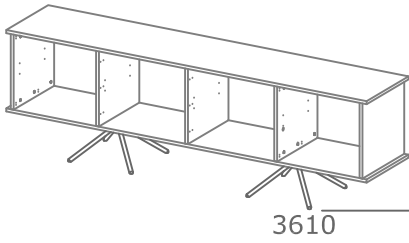


FIG. 9



Samlevejledning  
Assembly Instructions  
Montageanleitung  
Instructions d'assemblage  
Instrucciones de montaje

FIG. 10

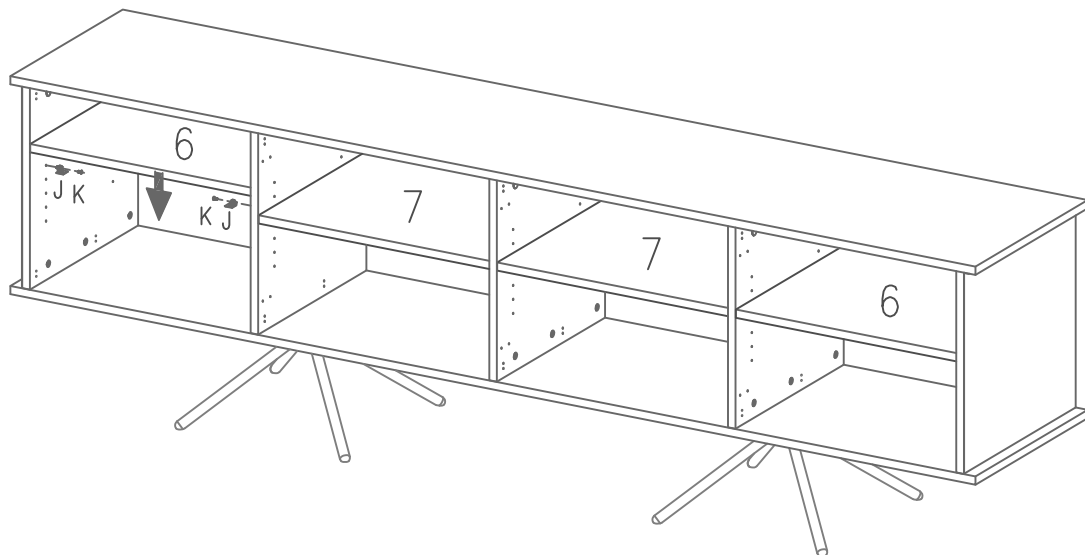
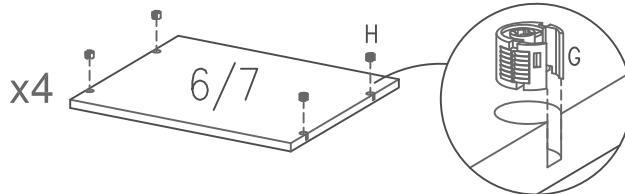
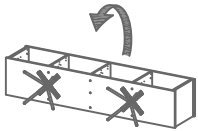
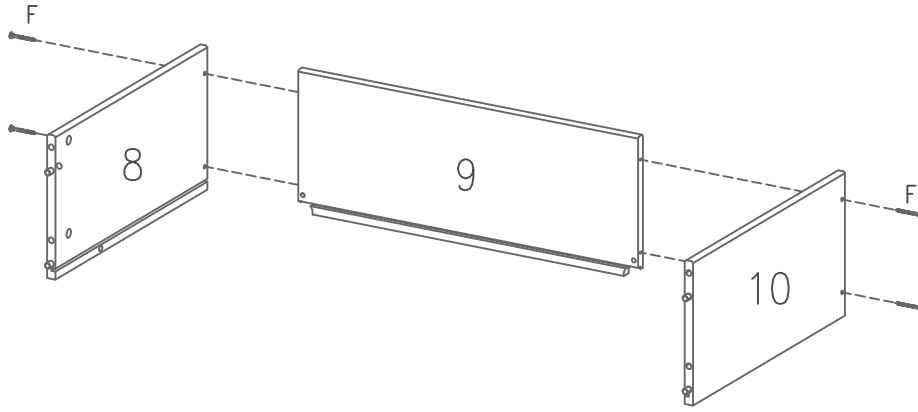


FIG. 11

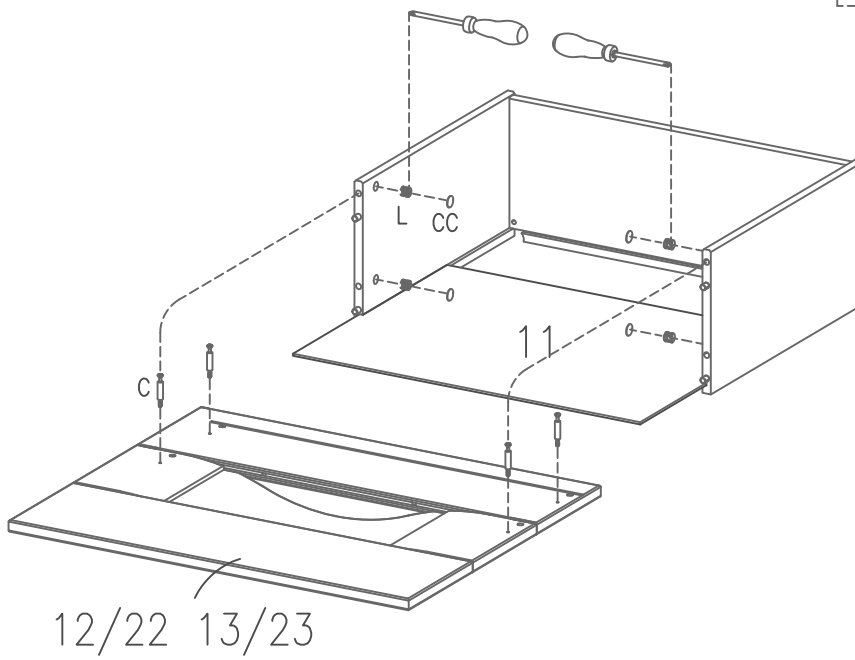
x2



  
**F X 8**  
 4,2x45mm

FIG. 12

x2



  
**C X 8**  
 ø3x11mm

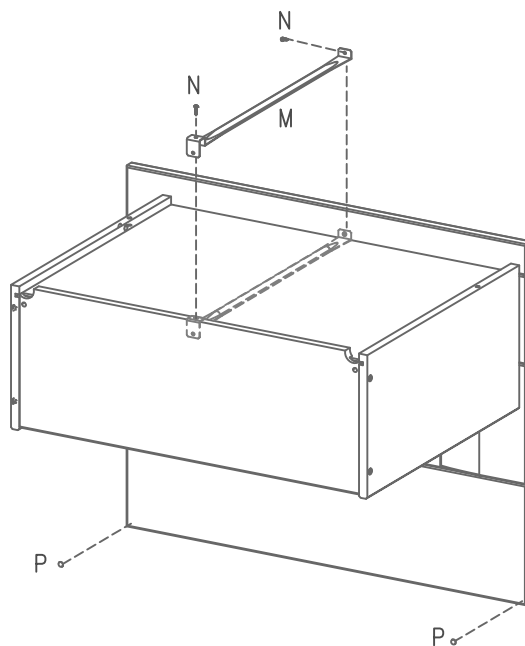
  
**L X 8**


  
**CC X 8**

12/22 13/23

FIG. 13

x2

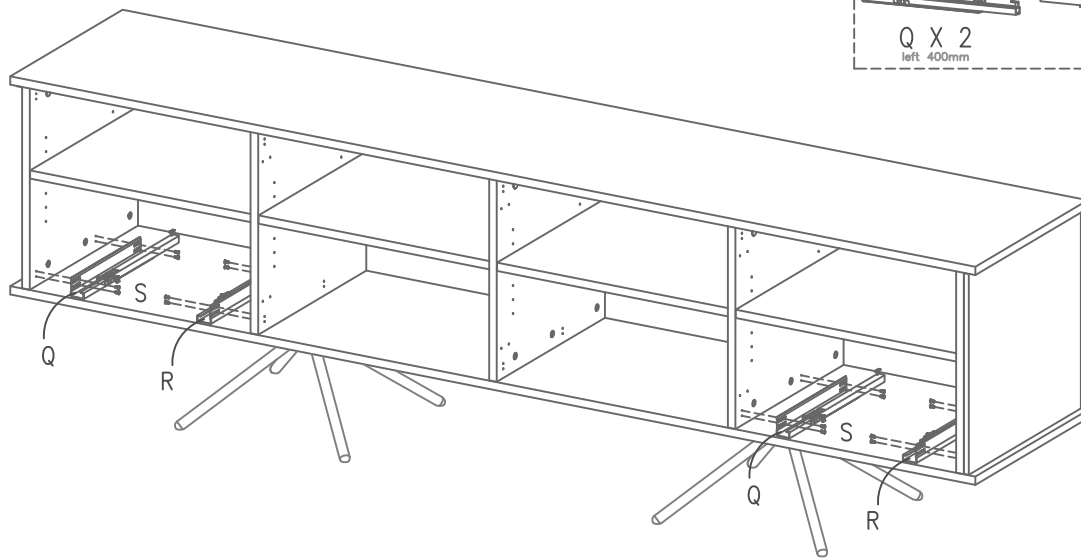


  
**M X 2**  
 392mm

  
**N X 4**  
 3,0x12mm

  
**P X 4**  
 7x1,5mm

FIG. 14



Q X 2  
left 400mm

R X 2  
right 400mm

S X 16  
4,2x9,5mm

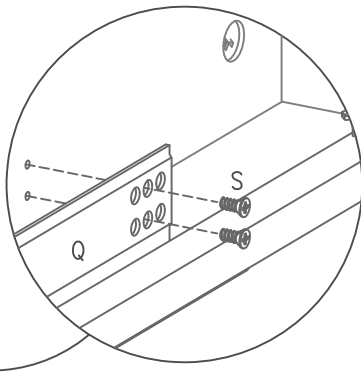
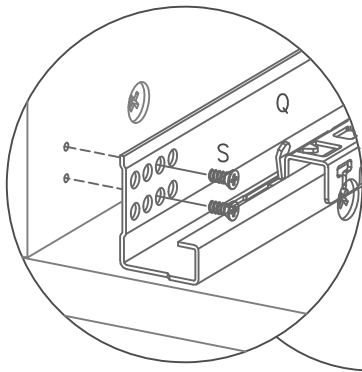


FIG. 15

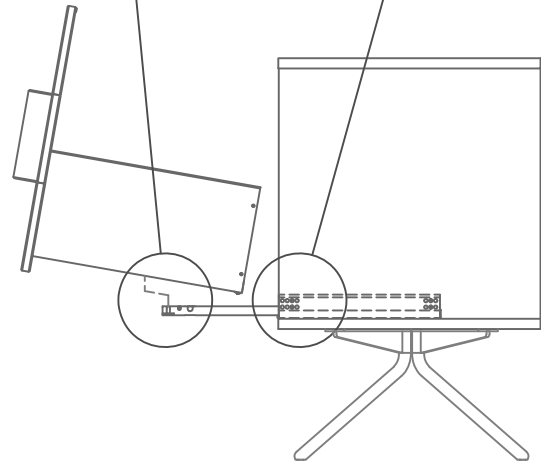
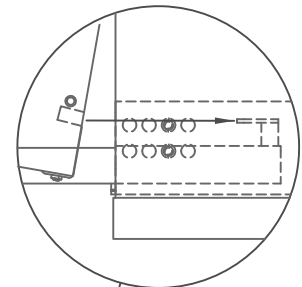
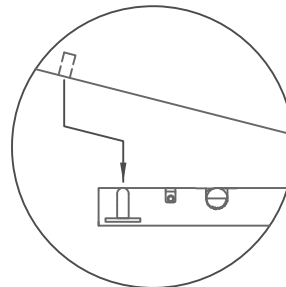
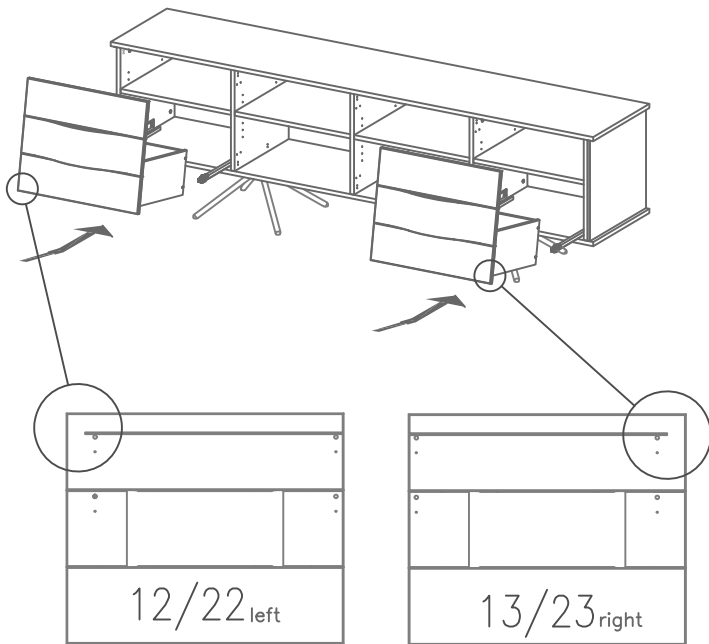
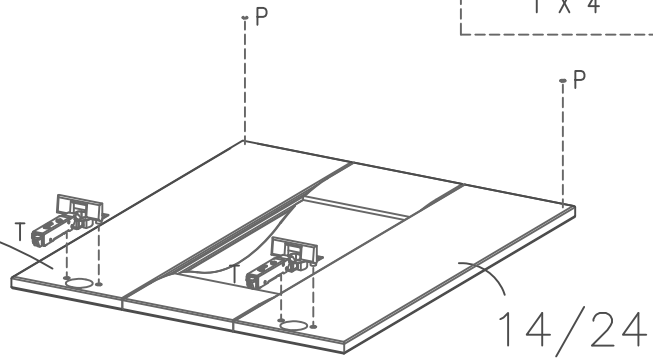
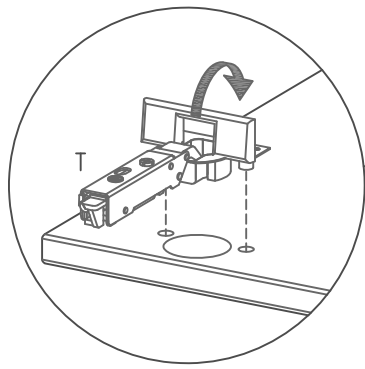


FIG. 16

x2



T X 4

P X 4

7x1,5mm

FIG. 17



U X 4



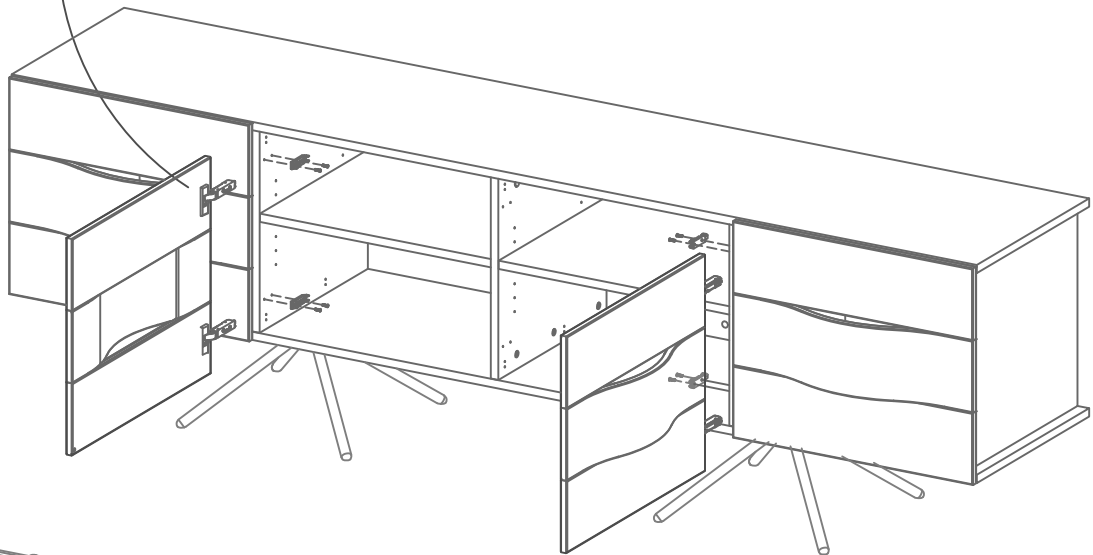
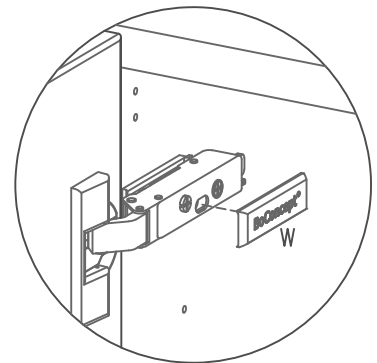
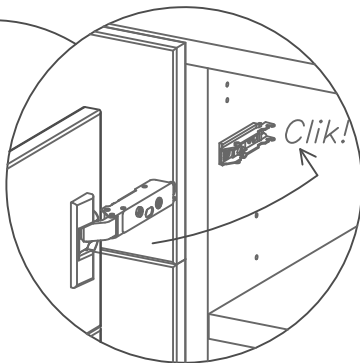
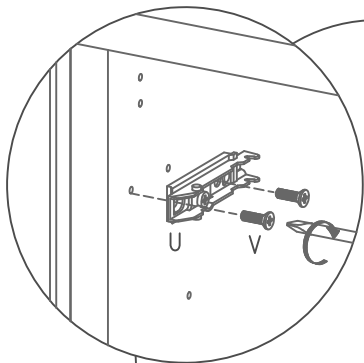
V X 8  
4,2x13,5mm



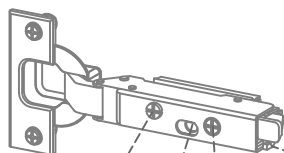
W X 2  
Left



Z X 2  
Right



Lägejustering  
Justierung der Türen  
Adjusting the doors  
Réglage de la porte  
Bijstelling van de deur  
Ajuste de las puertas  
Regolazione delle porte  
Afinação da porta



Soft close

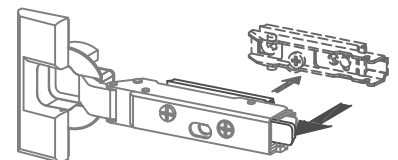
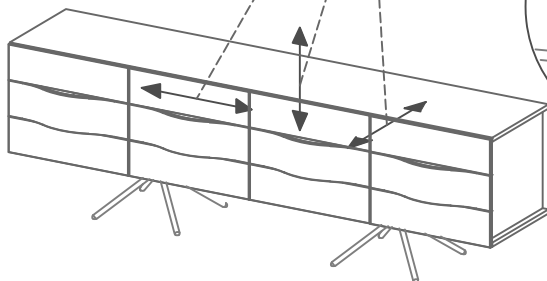
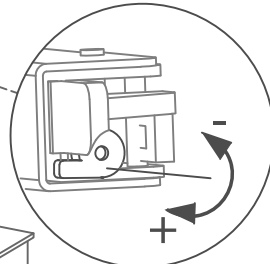




FIG. 18

Y X 8  
5x30mm

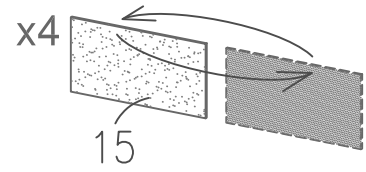
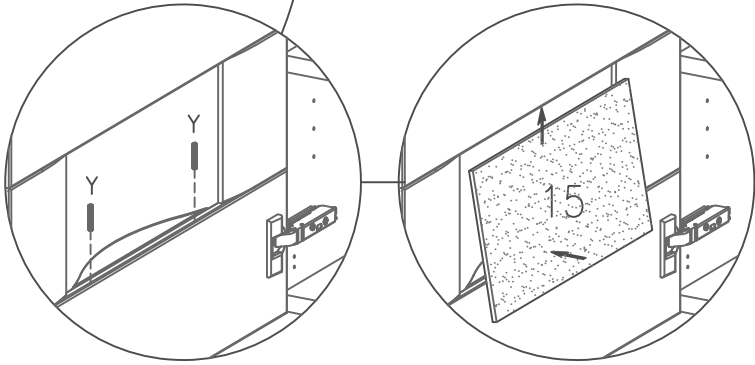
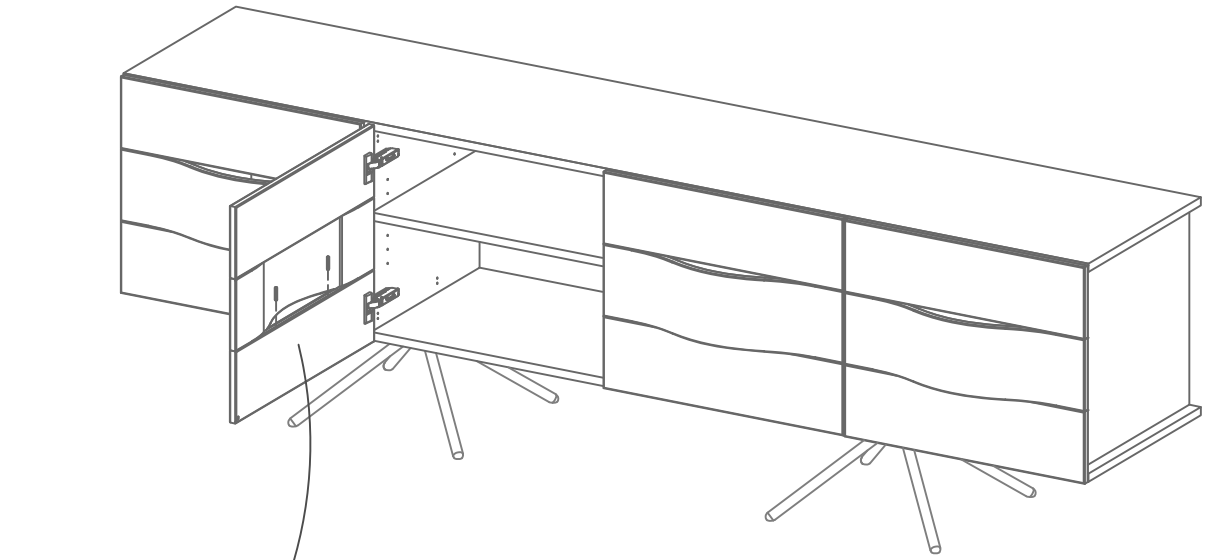
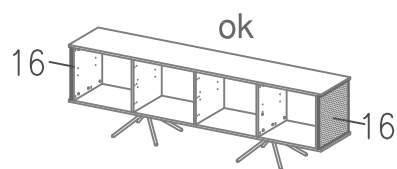
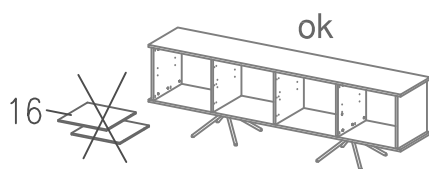
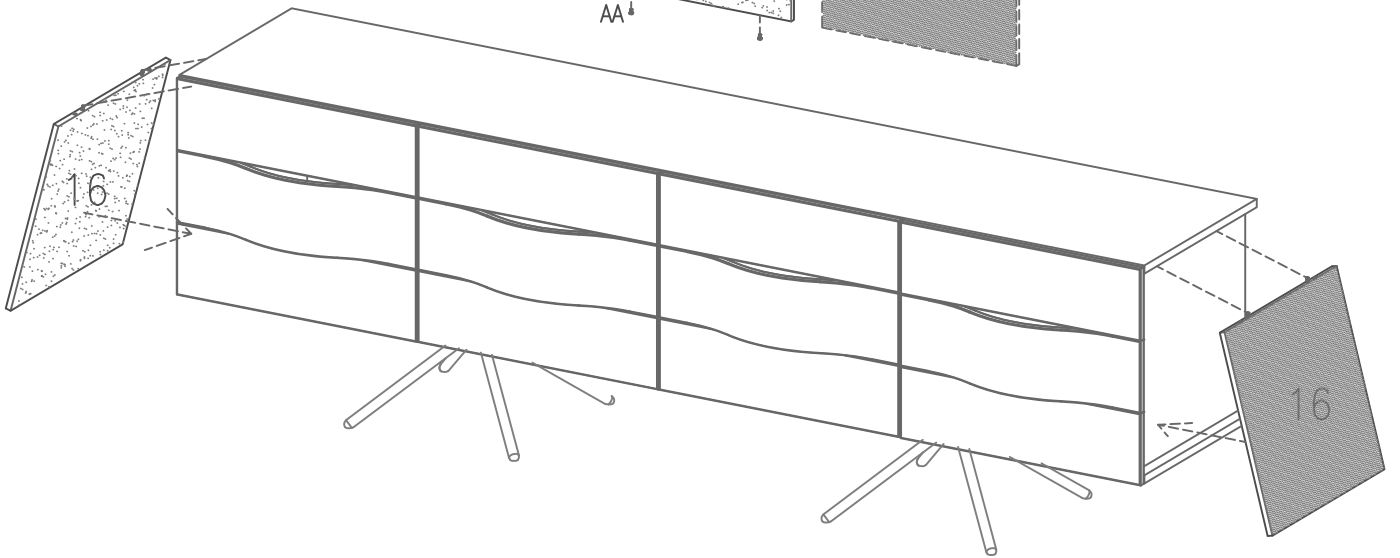
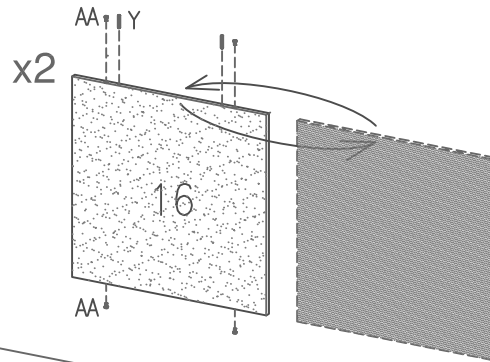
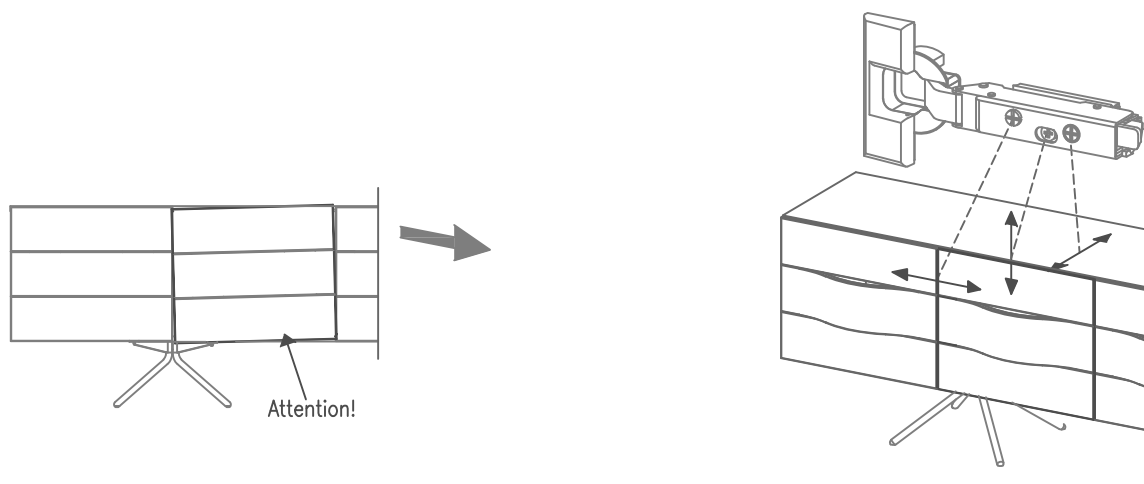
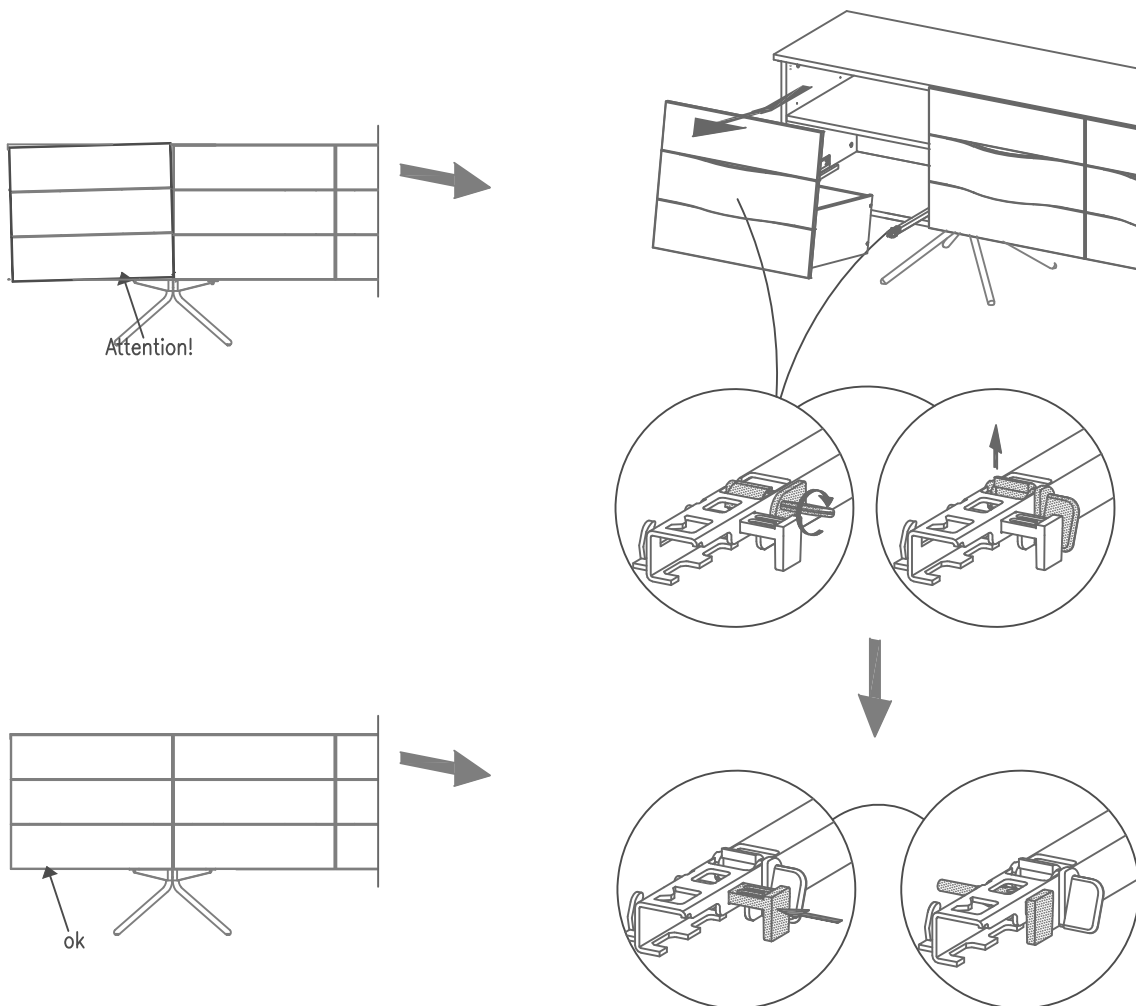


FIG. 19

AA X 8  
ø4x8      Y X 4  
5x30mm





- DK Ved reklamation oplyses følgende:
- D Im Reklamationsfall, bitte folgendes erläutern:
- US In case of claims, please state the following:
- F En cas de reclamacion, veuillez indiquer:
- NL Bij service volgene mededelen
- E En caso de reclamacion, indicar lo siguiente:
- P No caso de reclamação, por favor indique o seguinte:
- JP お気づきの点等ございましたら、以下の点をお知らせください。

Example!

