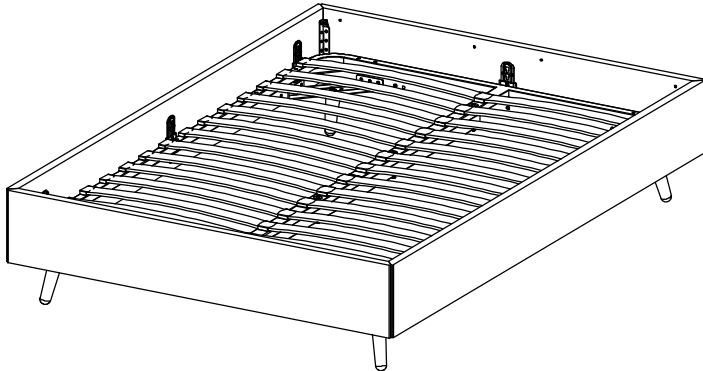


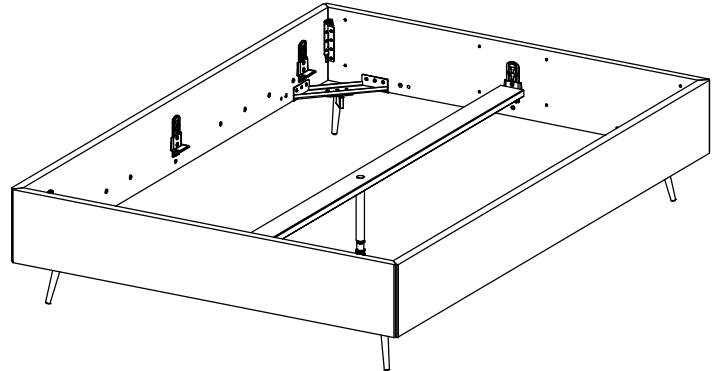
Bed Concept

Design by BoConcept

Samvejledning - Assembly Instructions - Montageanleitung - Instructions d'assemblage - Instrucciones de montaje



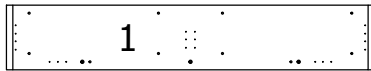
1310+410+40/50
 1340+440+40/50
 1350+450+40/50
 1360+460+40/50
 1380+480+40/50
 1390+490+40/50



1310 + 40/50
 1340+100+40/50
 1350+100+40/50
 1360+100+40/50
 1380+100+40/50
 1390+100+40/50

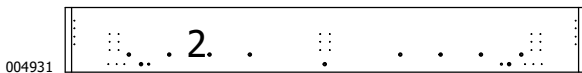
Col. 1 / no.0311, 0341, 0351, 0361, 0381, 0391

no.1311 = 004932
 no.1341 = 004933
 no.1351 = 004934
 no.1361 = 004935
 no.1381 = 004936
 no.1391 = 004937



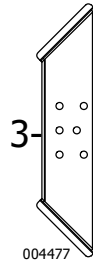
x2

Col. 2 / no.0312



x2

Col. 3 / no.1313



x4



A x 4
 970001353
 Left



E x 8
 970001486



B x 4
 970001352
 Right



F x 8
 970001490



C x 36
 970001719
 3,5x20mm

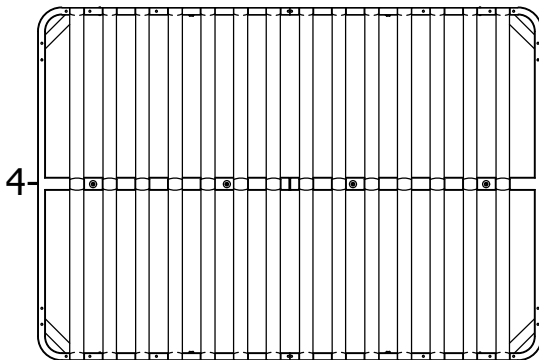


D x 72
 970001720
 4,5x16mm



G x 3
 970001687

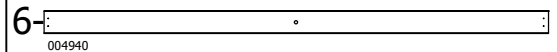
No. 0410, 0440, 0450, 0460, 0480, 0490



4

5

No. 0100



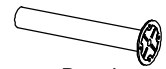
-OR-



P x 1
 970001710



Q x 1
 970001711



R x 1
 970001709
 198mm



S x 1
 970001712
 M10x45mm

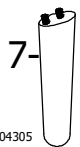


T x 4
 970001718
 3,5x15mm

No. 0040

Fittingbag: 937000110

No. 0050



x4



K x 8
 970000883
 M8



U x 8
 1978890002
 D18x1,25



N x 1
 979900048
 12mm

-OR-



x4

K x 16
 970000883
 M8

U x 16
 1978890002
 M8 D18x1,25

V x 16
 9799000119
 M8x15mm



M x 1
 1979300005
 5mm



N x 1
 979900048
 12mm

FIG. 1

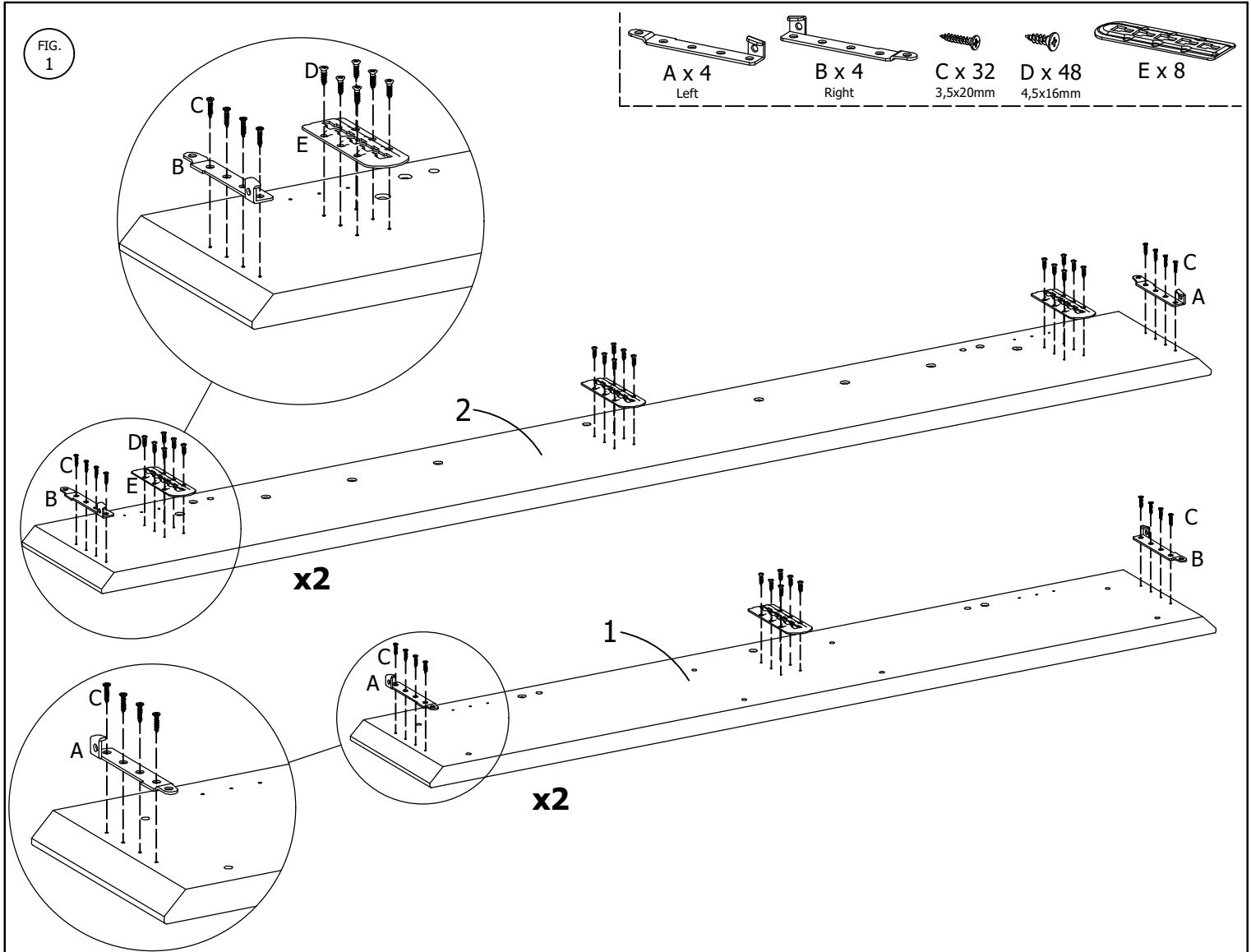


FIG. 2

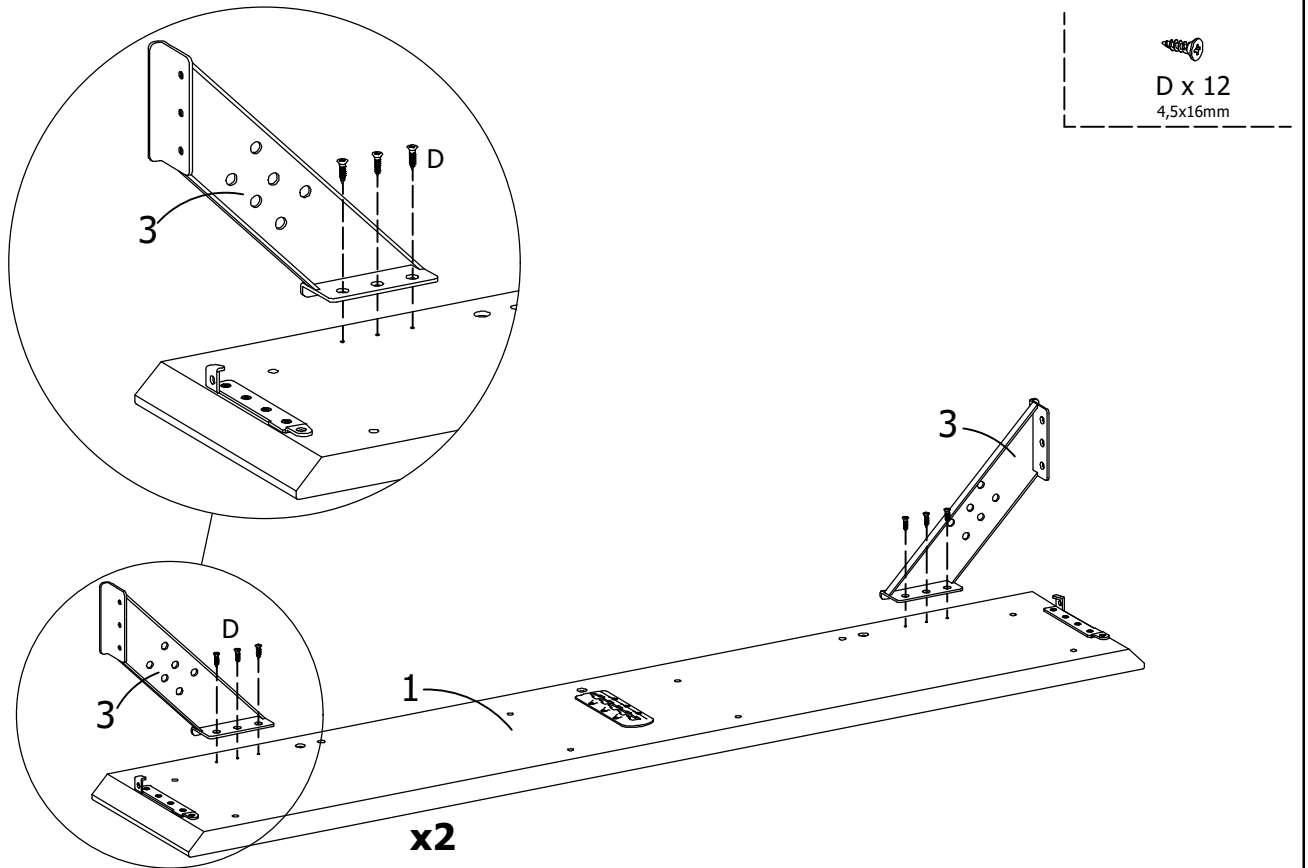


FIG.
3

C x 2
3,5x20mm

D x 6
4,5x16mm

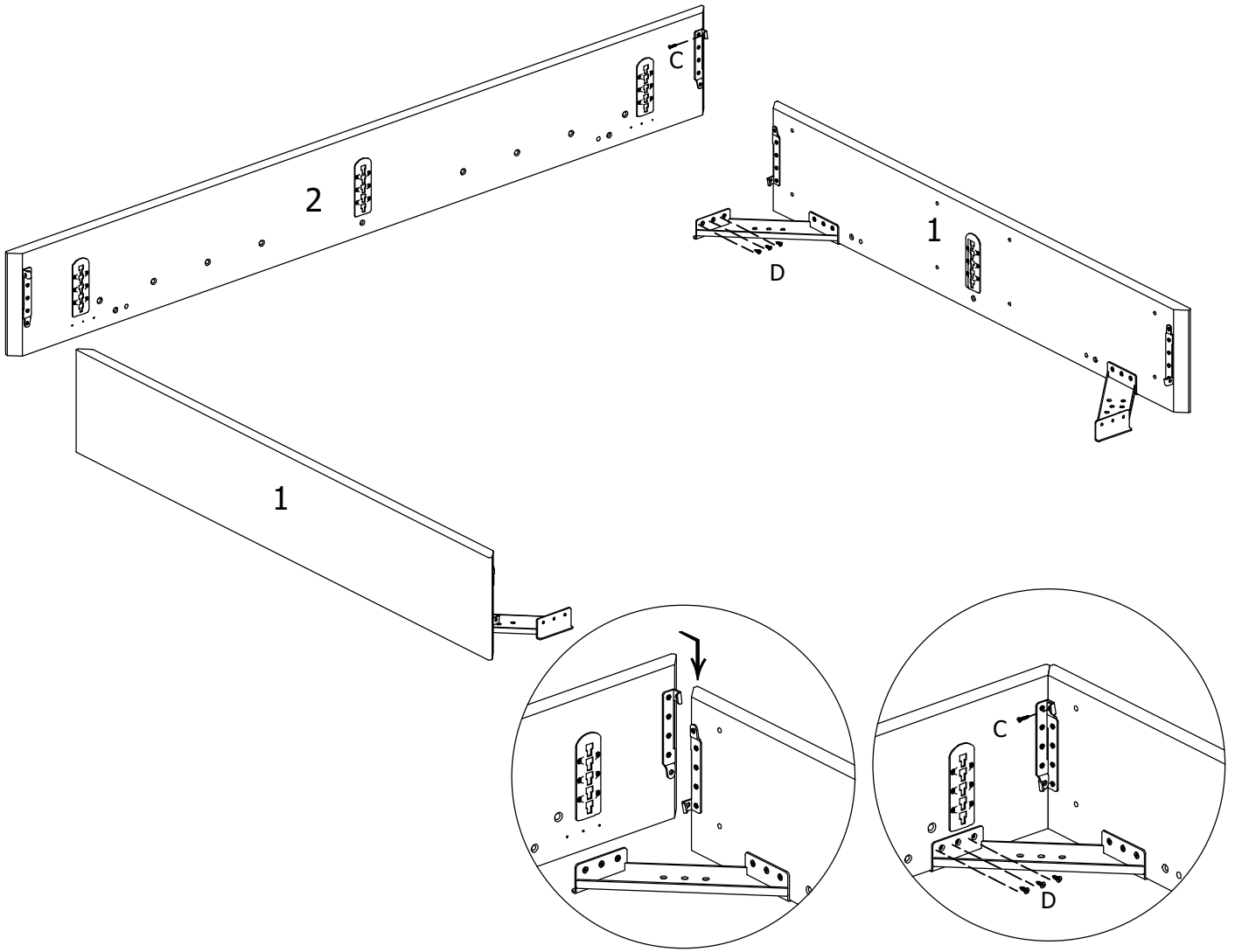


FIG.
4

C x 2
3,5x20mm

D x 6
4,5x16mm

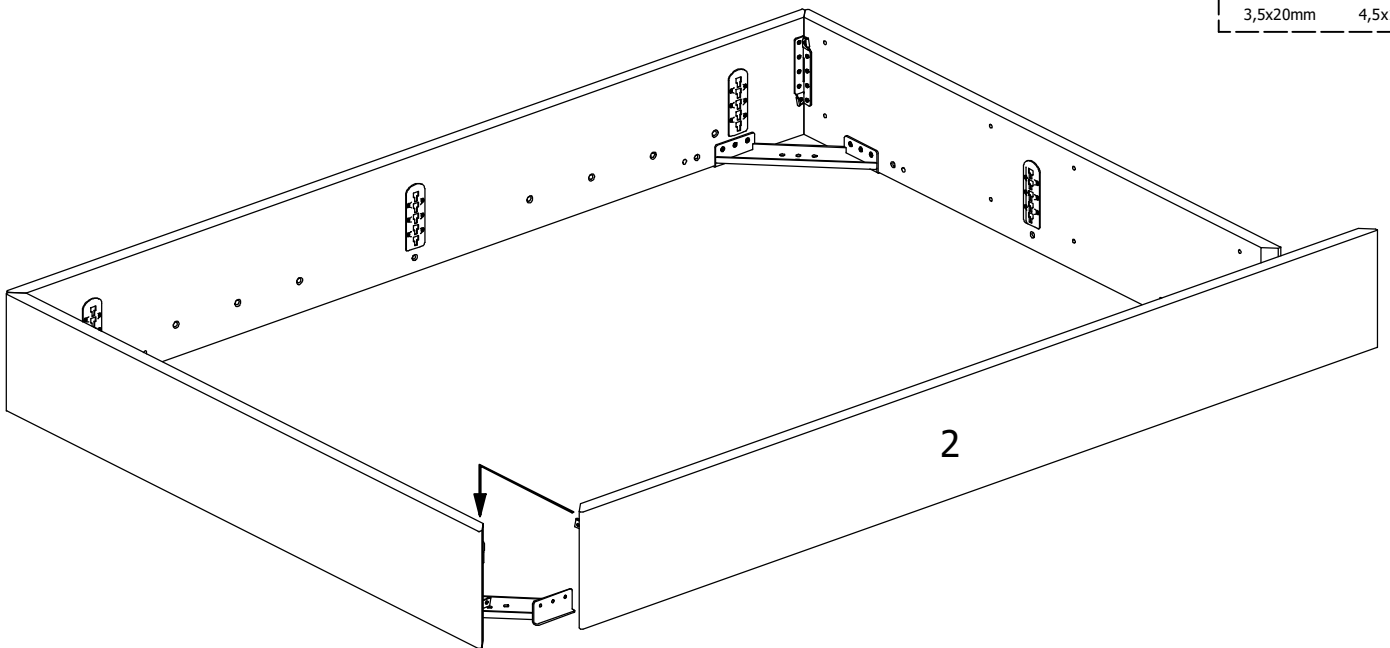
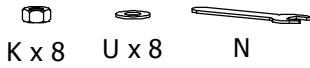
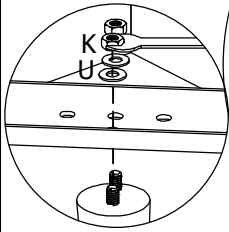
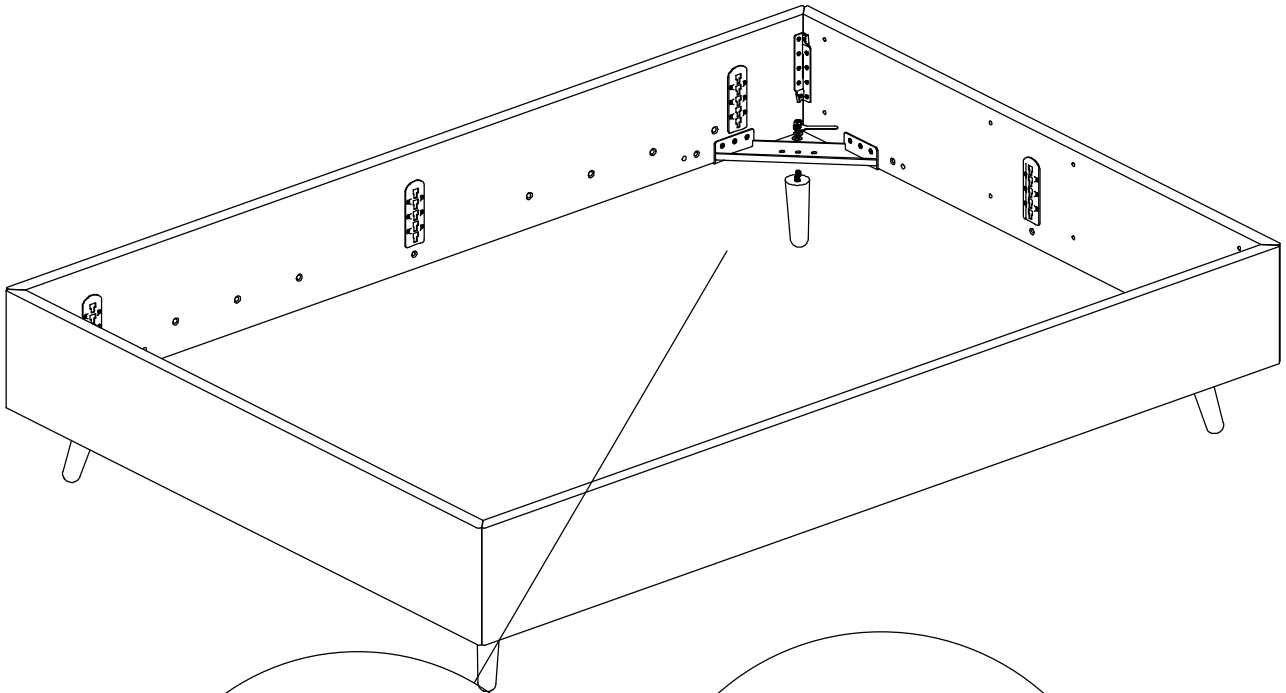


FIG. 5

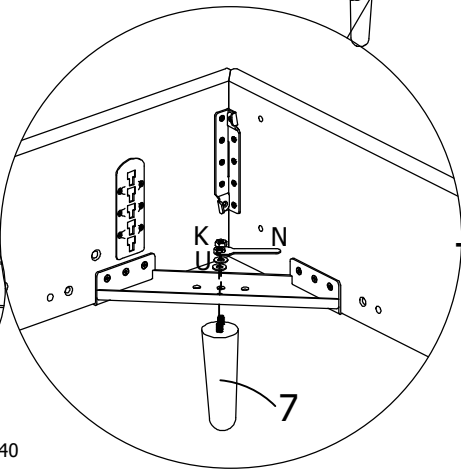
No. 0040



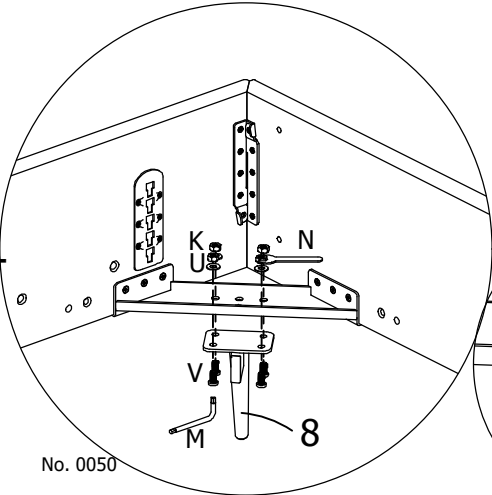
No. 0050



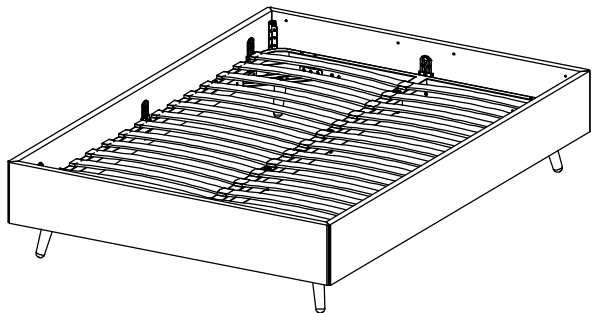
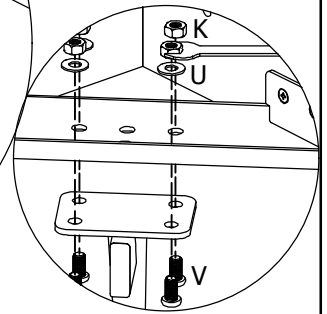
No. 0040



-OR-



No. 0050



-OR-

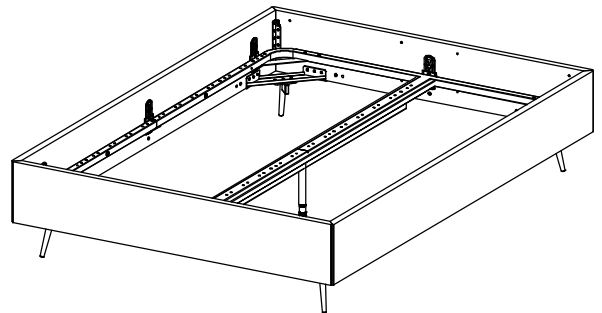


FIG. 6

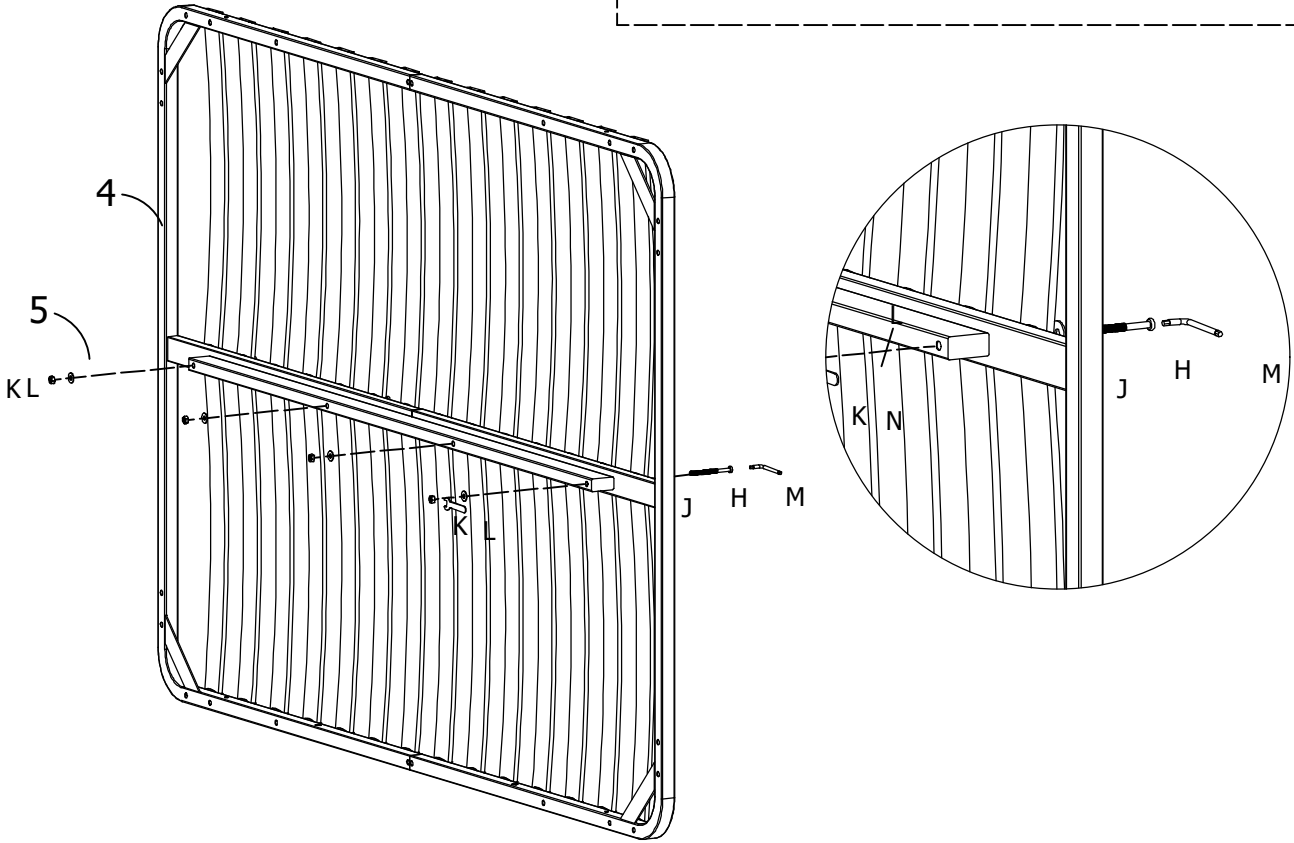
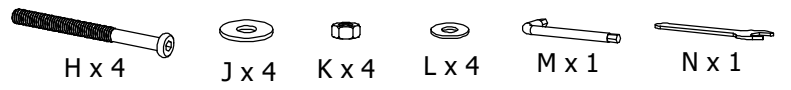


FIG. 7

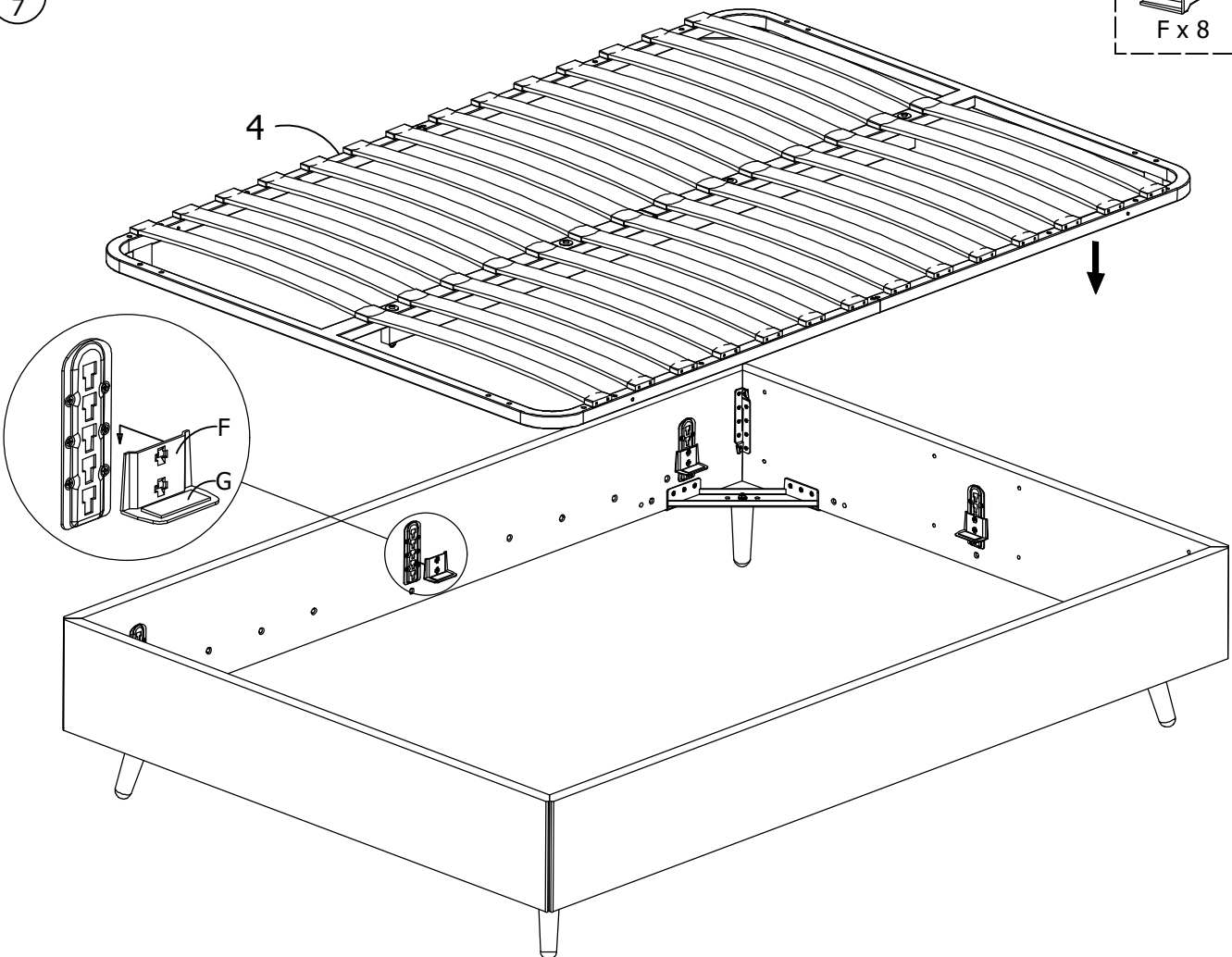
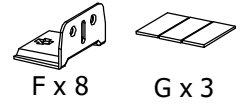


FIG. 8

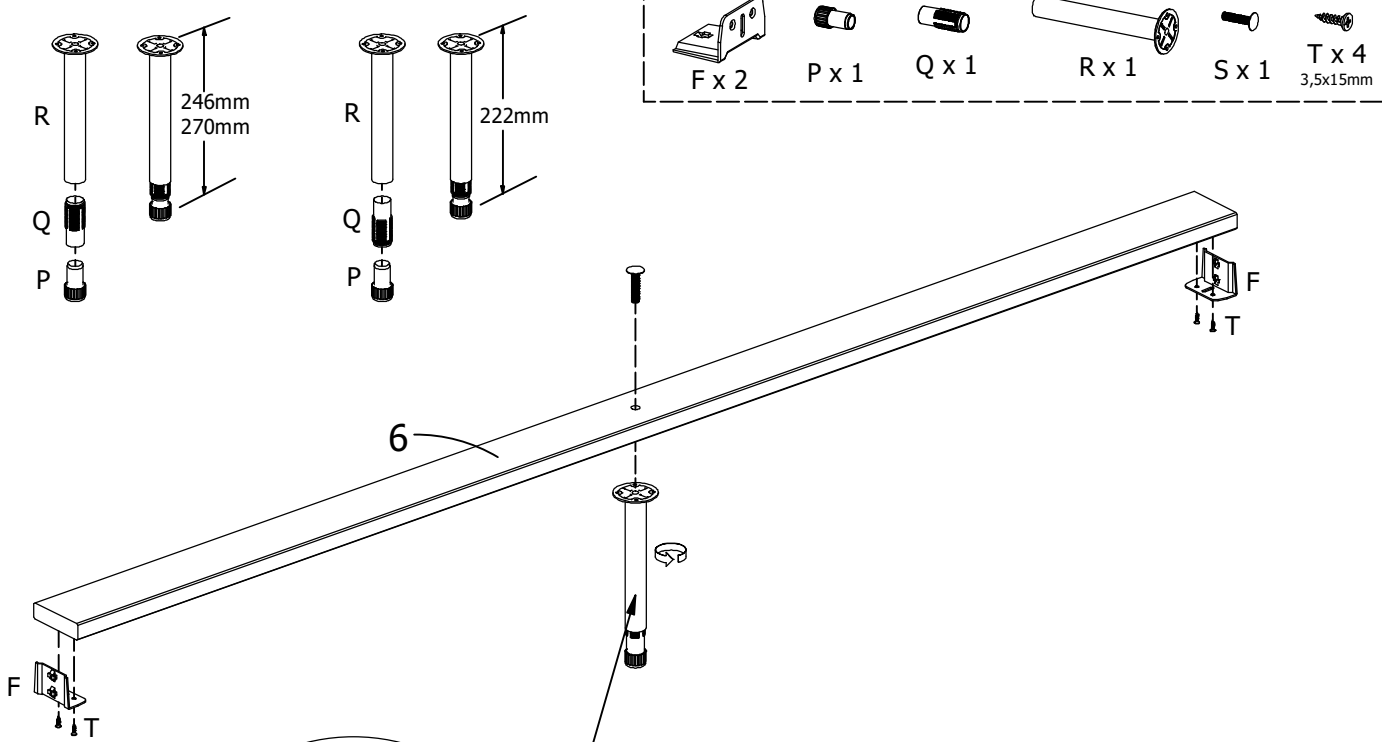
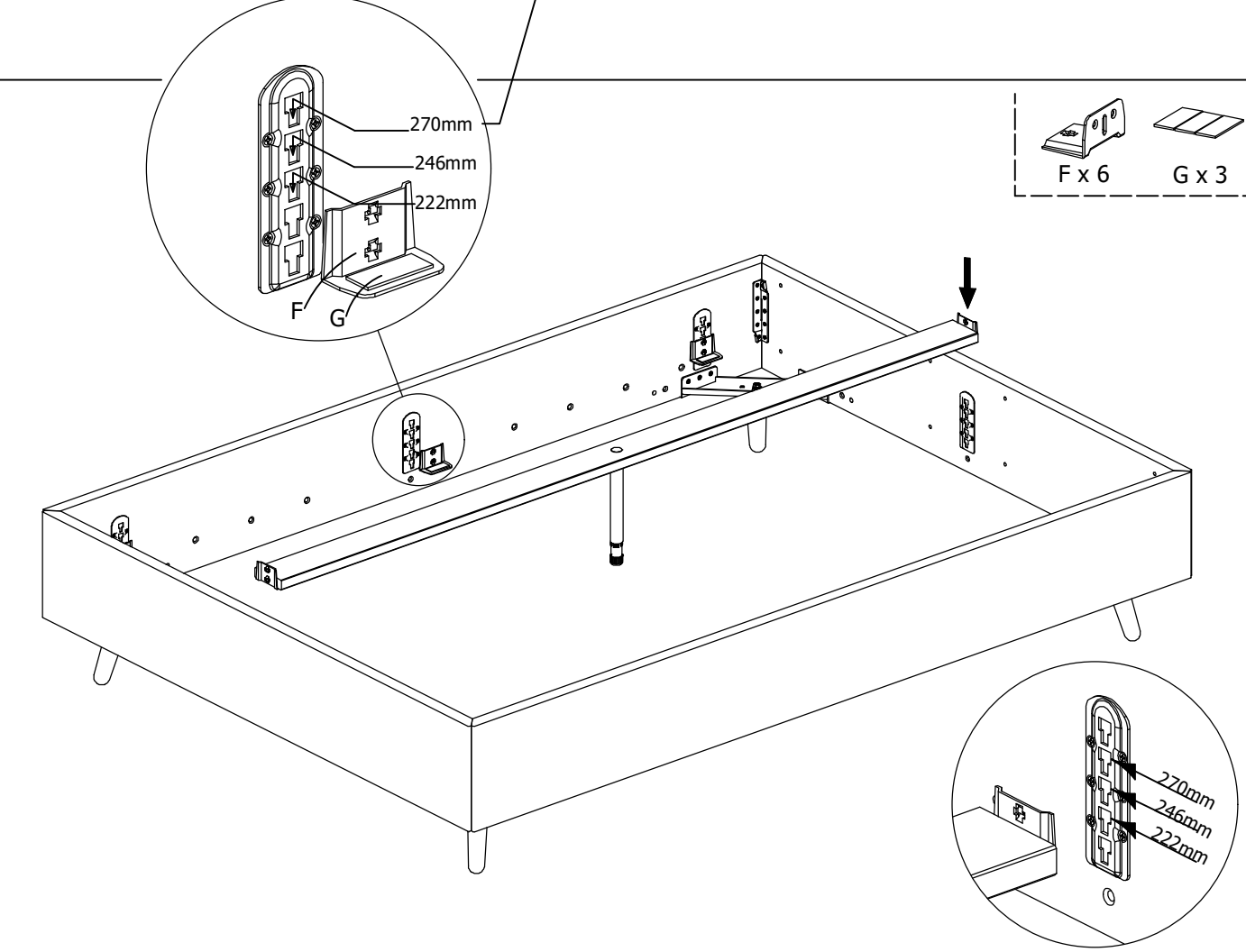


FIG. 9



DK Ved reklamation oplyses følgende:
 D Im Reklamationsfall, bitte folgendes erläutern:
 US In case of claims, please state the following:
 F En cas de réclamation, veuillez indiquer:
 NL Bij service volgene mededelen
 E En caso de reclamación, indicar lo siguiente:
 P No caso de reclamação, por favor indique o seguinte:
 JP お気づきの点等ございましたら、以下の点をお知らせください。

Example!

