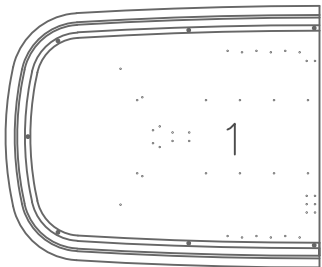


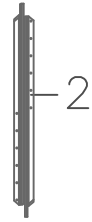
4000

7,2x240/327x100 cm

2x Col.4001



002063



002056

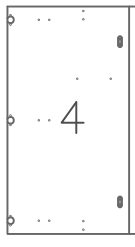
Col.4002

x2

x2



970001134



002062

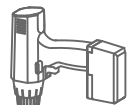
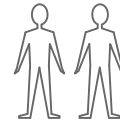


12

002717

Verktøj - Werkzeuge

- Tools - Outils



Col.4002 - Fittingbox: 930000763



A X 4
970001083



B X 4
970001084



C X 60
970001124
4,0x16mm



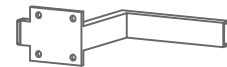
T X 4
970001727
4,0x20mm



D X 8
970001086



E X 8
970001059



F X 1
970001151



G X 1
970001152



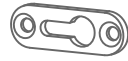
H X 2
979900222
M6X6mm



J X 1
970001693
5mm



K X 3
970001278
26mm



L X 4
970001155



M X 14
970001027
13,5x4,2mm



N X 1
970001153



P X 1
970001183
50mm

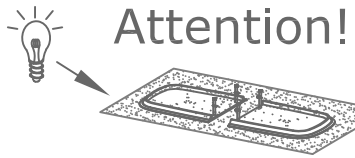


R X 4
970001230
M4x16mm



S X 1
970001691
3mm

FIG. 1



- 
A X 2
- 
B X 2
- 
C X 8
4,0x16mm

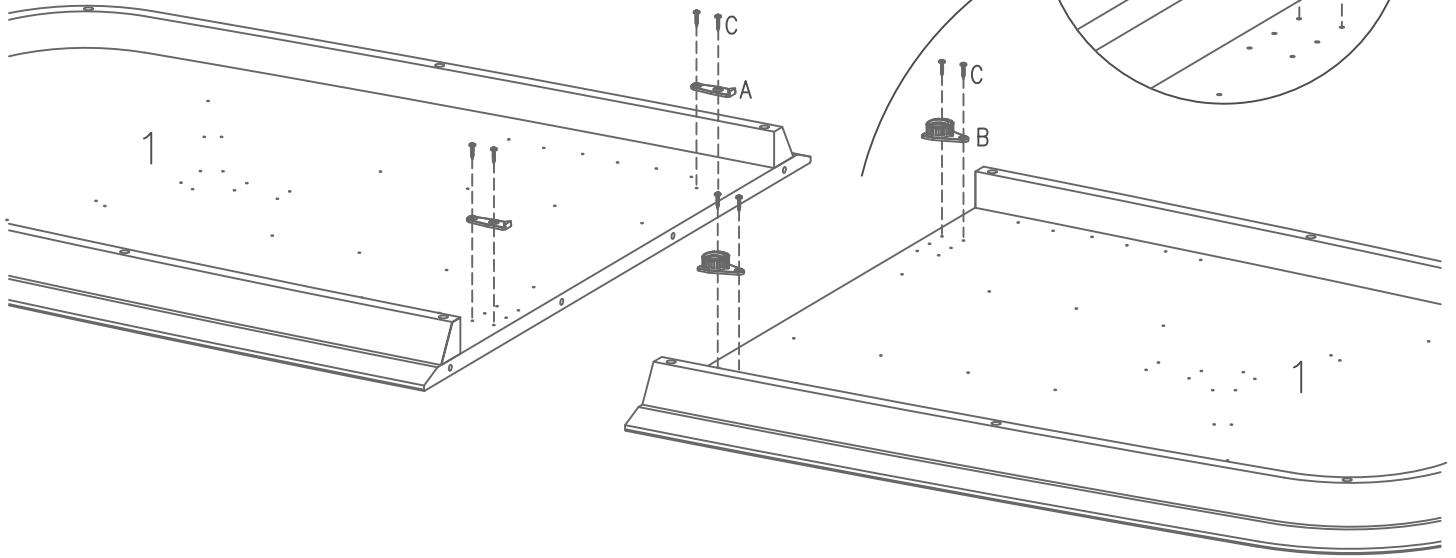







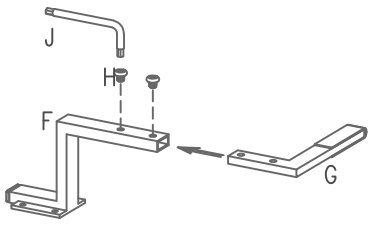
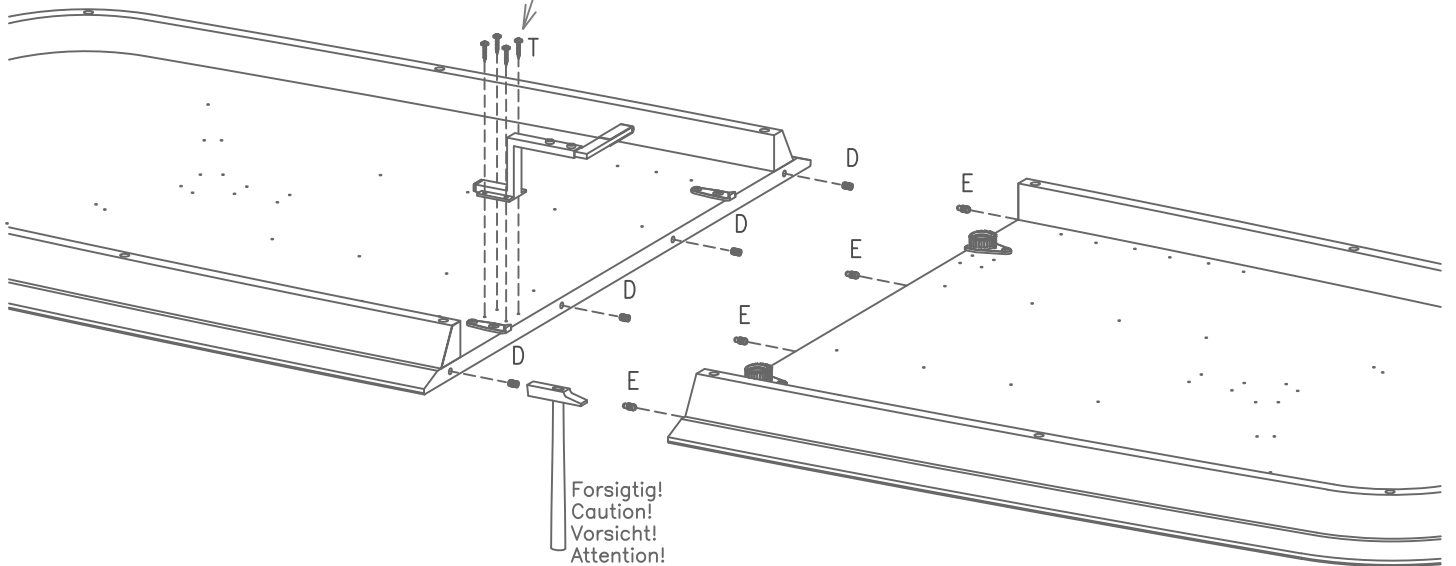


FIG. 2

- 
T X 4
4,0x20mm
- 
D X 4
- 
E X 4
- 
F X 1
- 
G X 1
- 
H X 2
M6x6mm
- 
J X 1
5mm

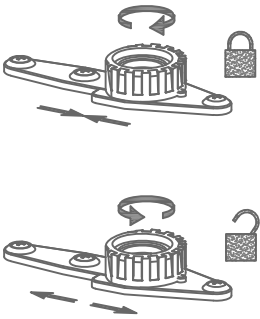


Attention!
4,0x20mm



Forsichtig!
Caution!
Vorsicht!
Attention!

FIG. 3



C X 24
4,0x16mm

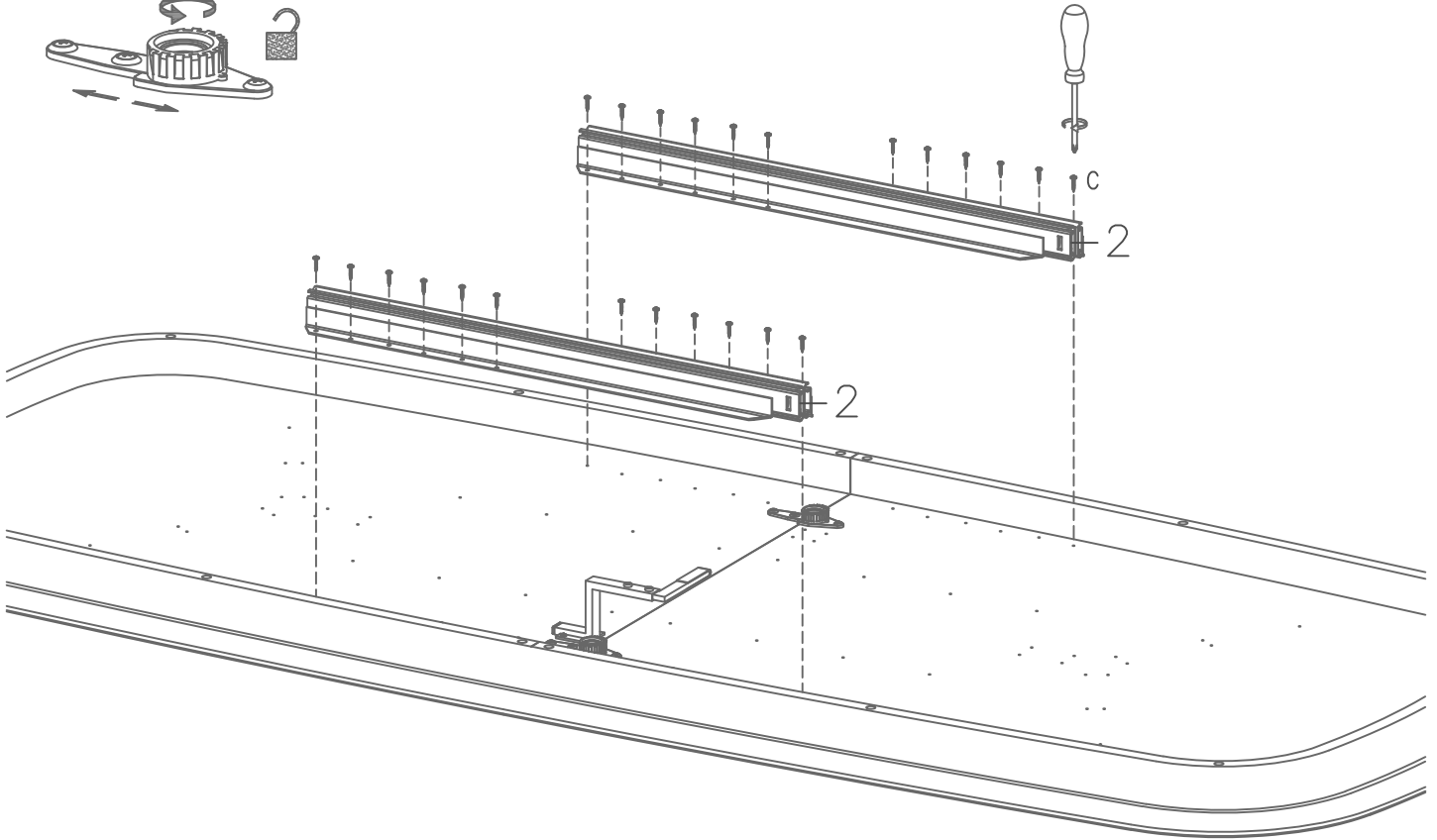


FIG. 4

C X 4
4,0x16mm

P X 1
50mm

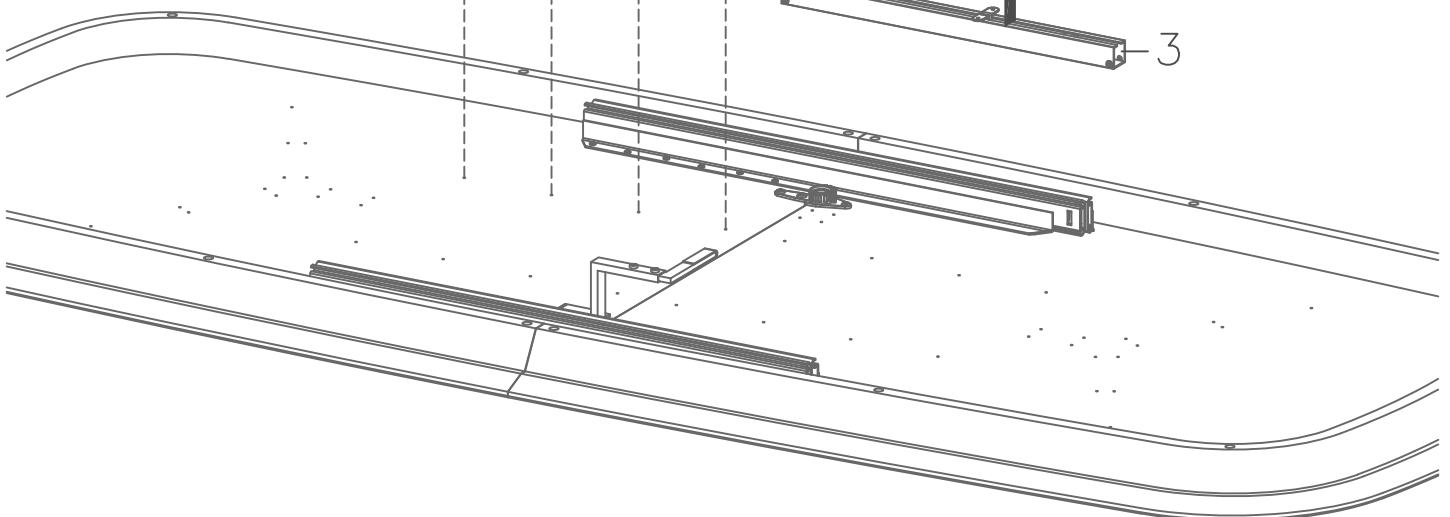
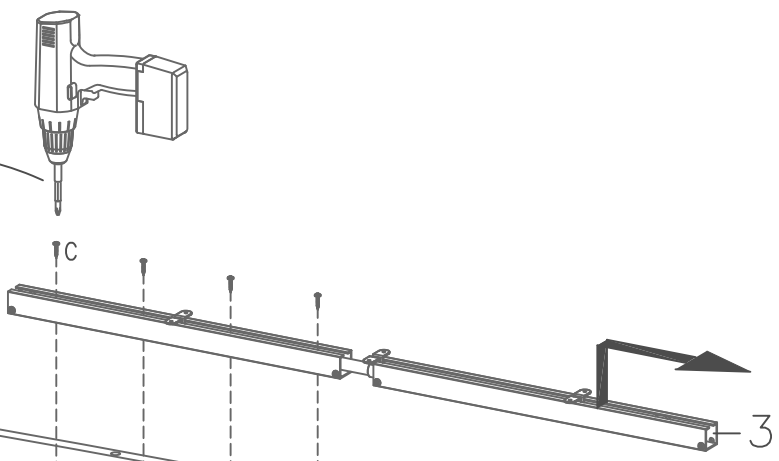
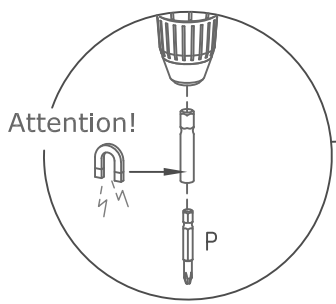


FIG.
5

C X 4 4,0x16mm
P X 1 50mm

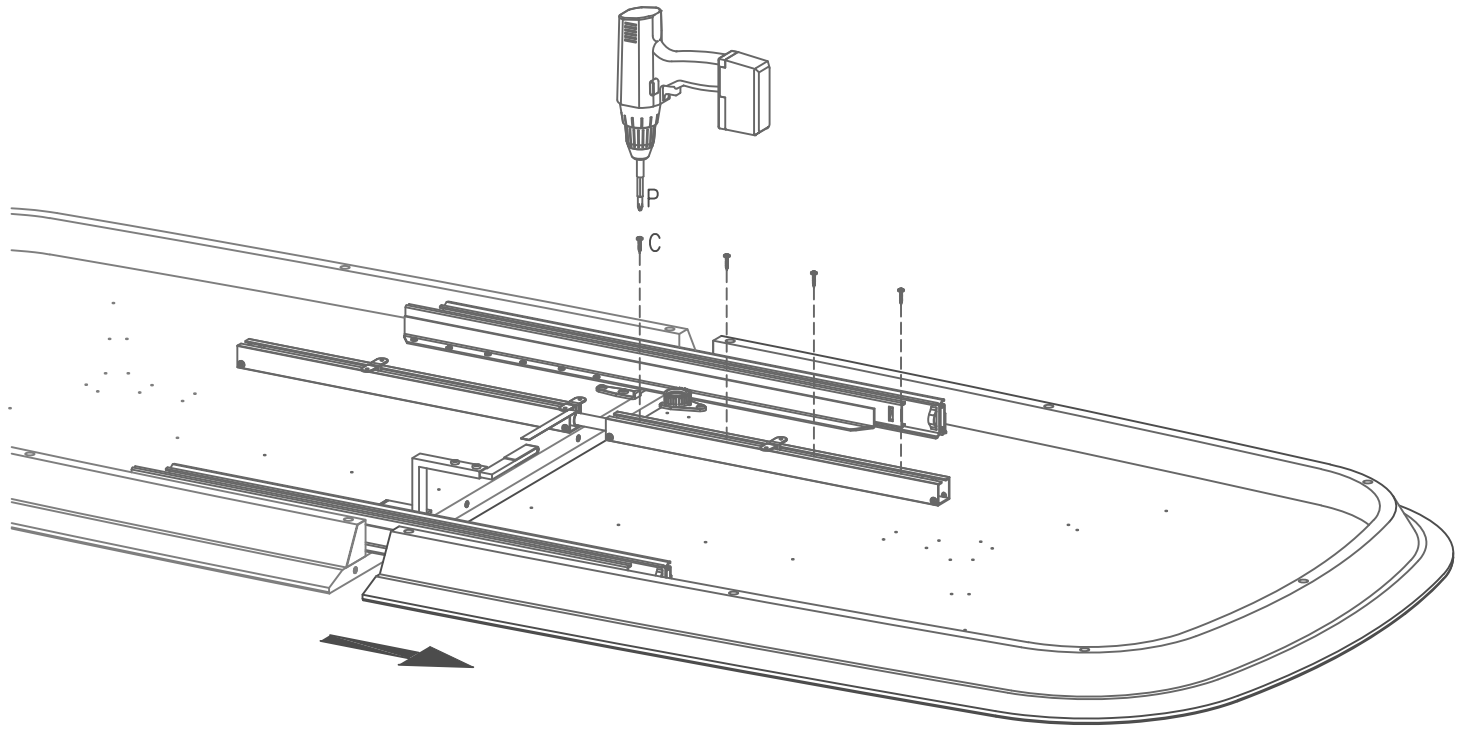
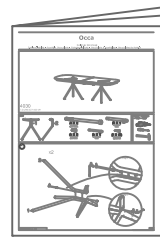


FIG.
6



Samvejledning
Assembly Instructions
Montageanleitung
Instructions d'assemblage
Instrucciones de montaje

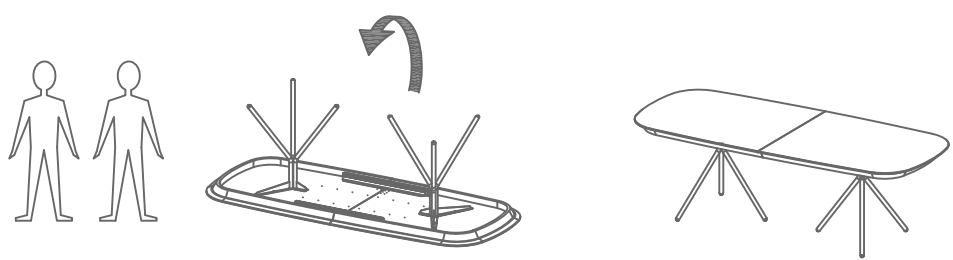






FIG. 7

- 
 A X 2
- 
 B X 2
- 
 C X 20
4,0x16mm
- 
 K X 3
26mm

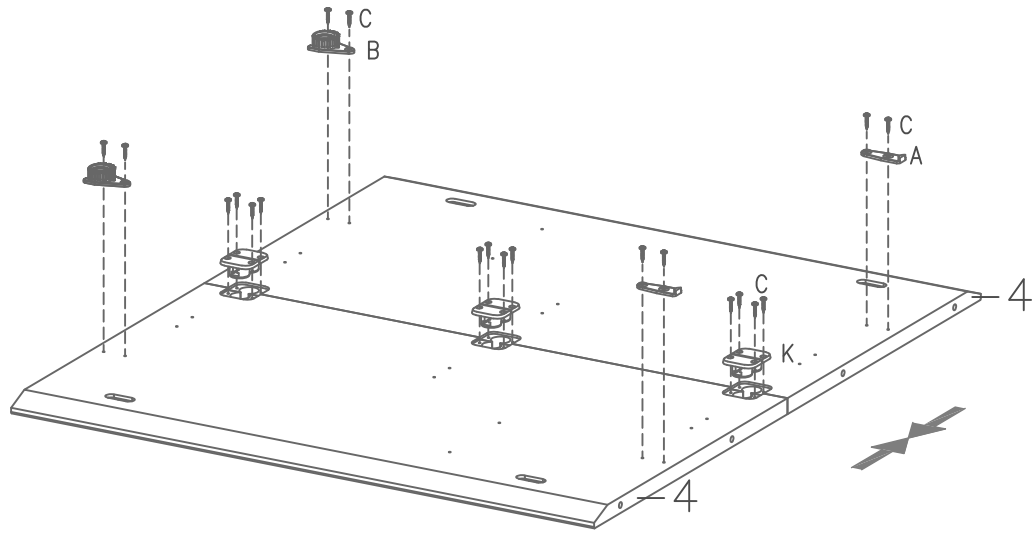


FIG. 8

- 
 L X 4
- 
 M X 8
13,5x4,2mm
- 
 D X 4
- 
 E X 4
- 
 N X 1

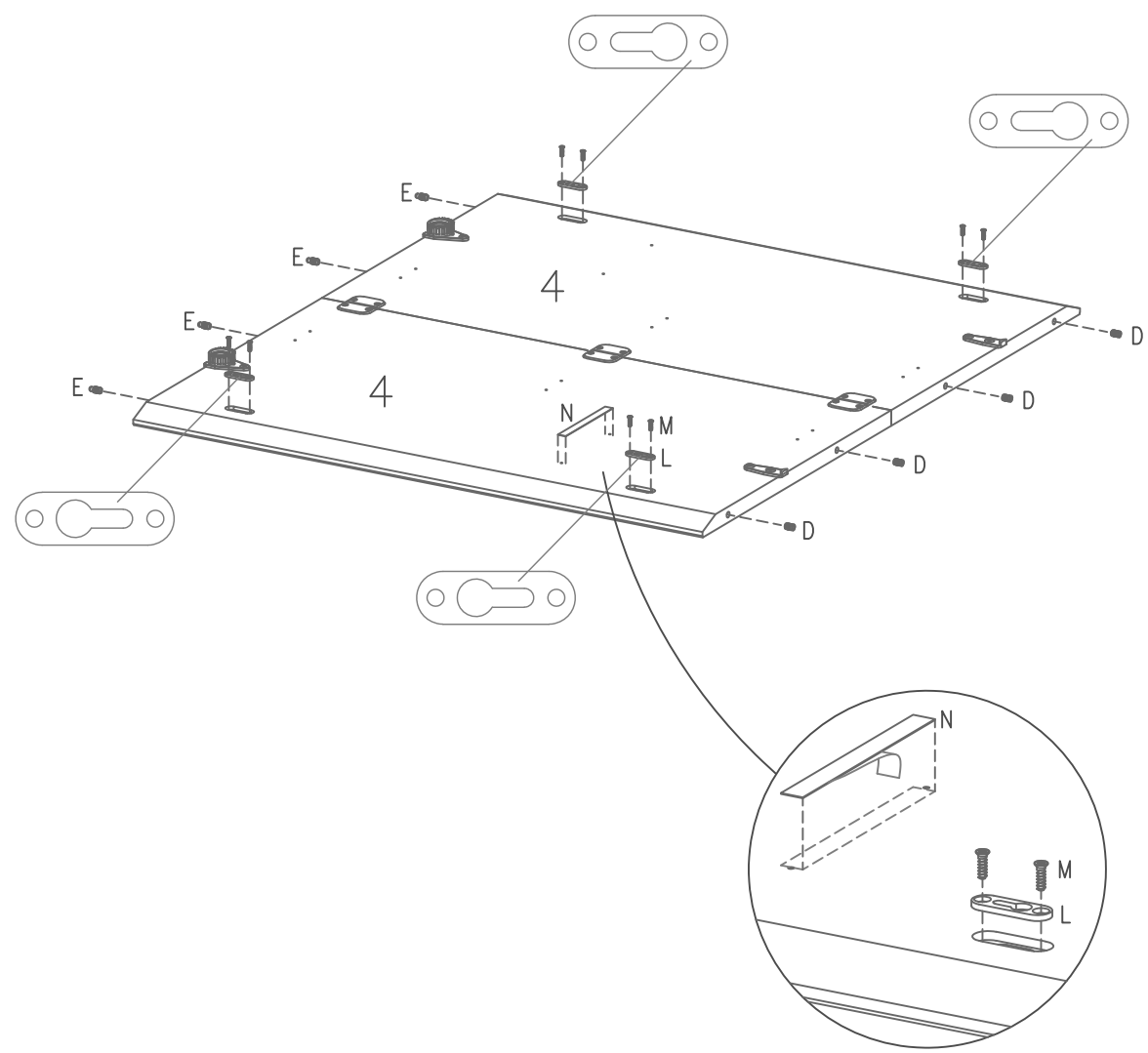


FIG. 9

Attention!

M X 6
13,5x4,2mm

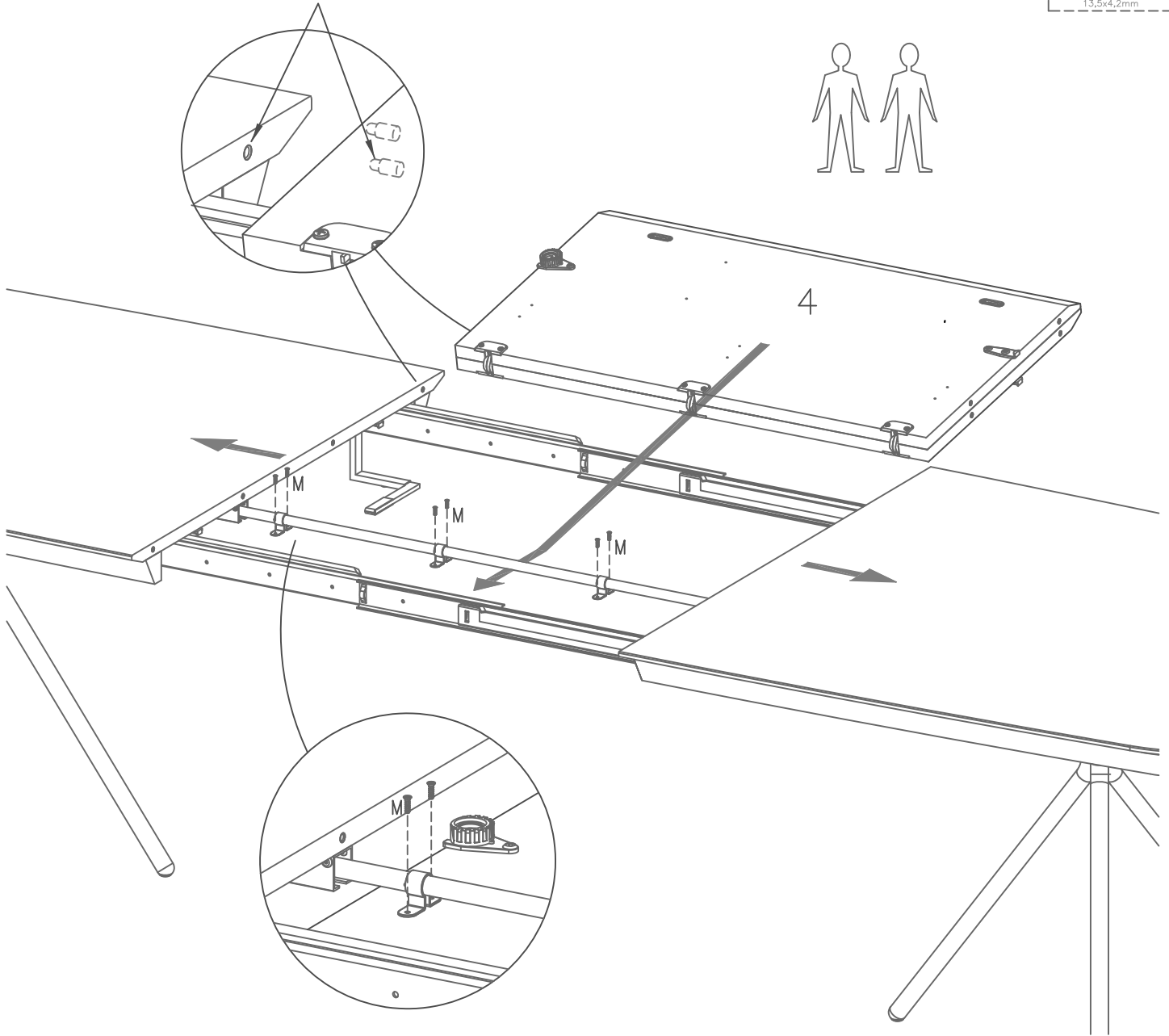
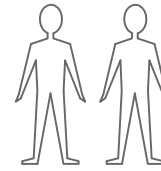


FIG. 10

R X 4 S X 1
M4x16mm 3mm

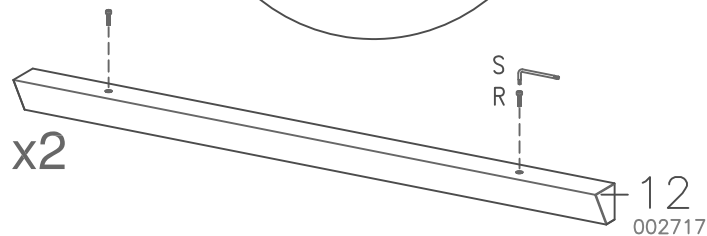
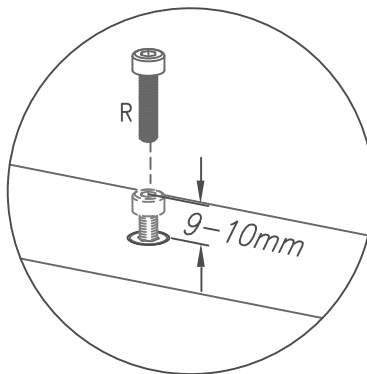


FIG. 11

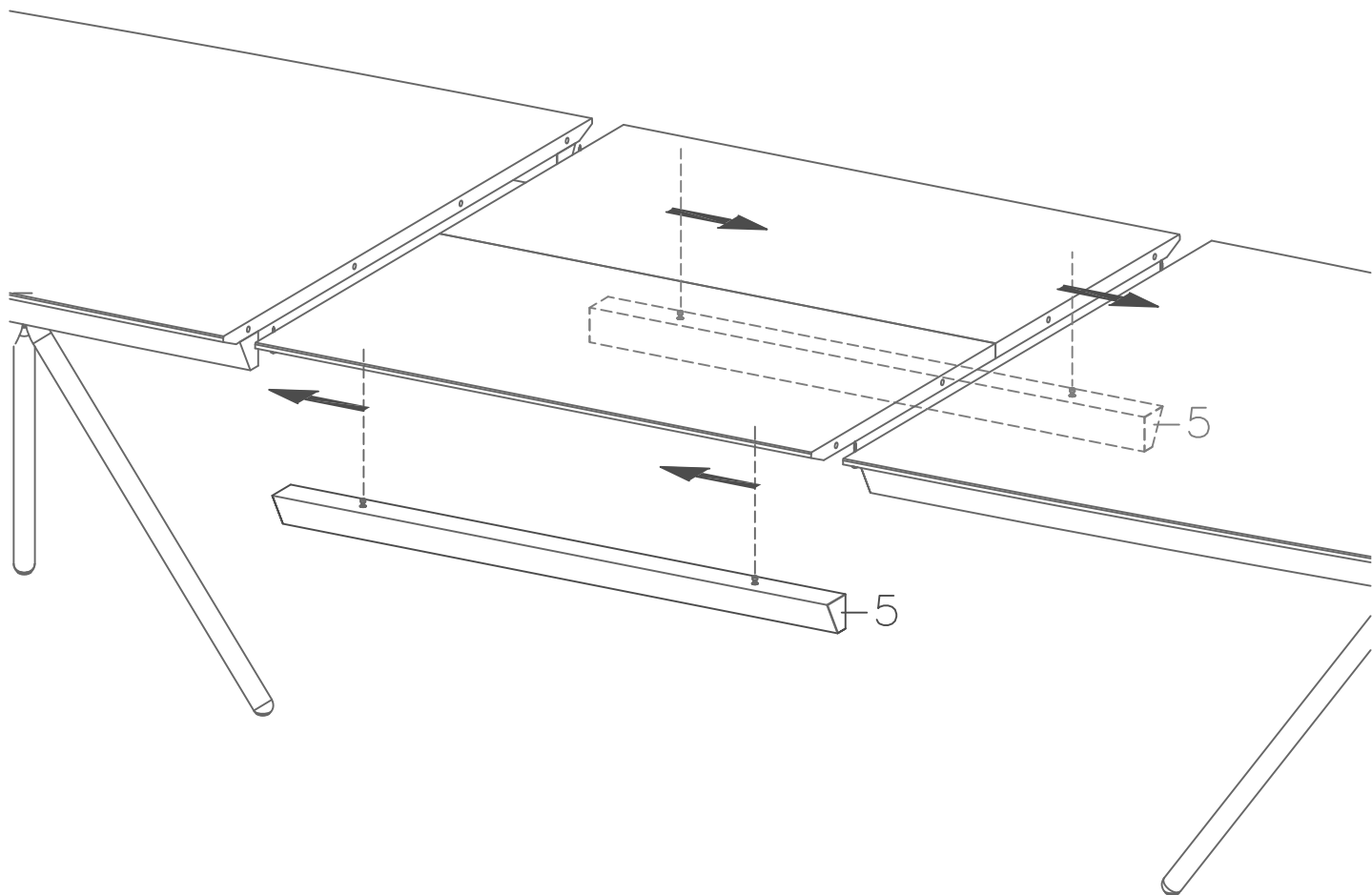
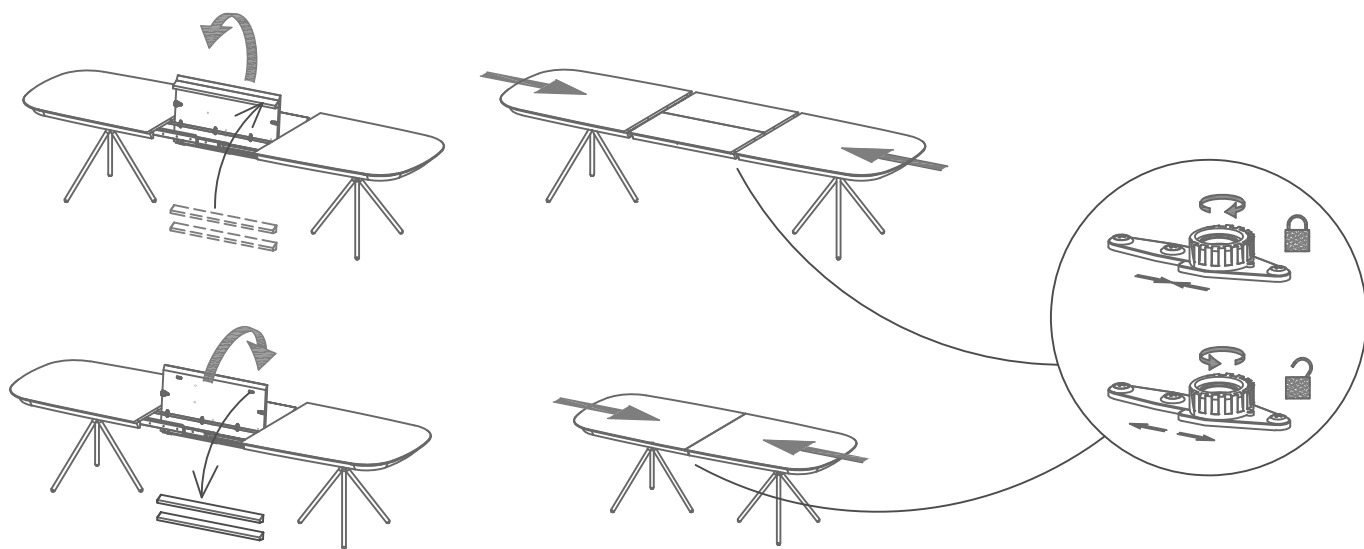

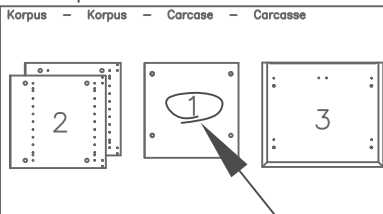
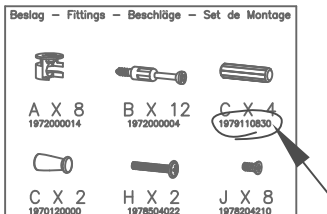


FIG. 12




 DK Ved reklamation oplyses følgende:
 D Im Reklamationsfall, bitte folgendes erläutern:
 US In case of claims, please state the following:
 F En cas de réclamation, veuillez indiquer:
 NL Bij service volgene mededelen
 E En caso de reclamación, indicar lo siguiente:
 P No caso de reclamação, por favor indique o seguinte:
 JP お気づきの点等ございましたら、以下の点をお知らせください。

Example!

Korpus - Korpus - Carcase - Carcasse	Beilag - Fittings - Beschläge - Set de Montage
	
	A X 8 1972000014 B X 12 1972000004 C X 4 1979110830 C X 2 1970120000 H X 2 1978504022 J X 8 1978204210