

Lugano

Design by BoConcept

Samvejledning - Assembly Instructions - Montageanleitung - Instructions d'assemblage - Instrucciones de montaje



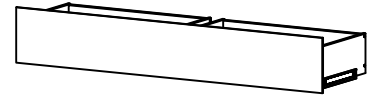
7430

24,2x75,4x40,9 cm / max. 10 kg



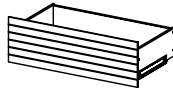
7440

24,2x113,8x40,9 cm / max. 10 kg



7450

24,2x152,2x40,9 cm / max. 10 kg



7460

24,2x75,4x40,9 cm / max. 10 kg



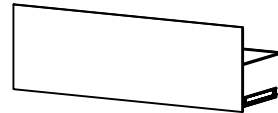
7470

24,2x113,8x40,9 cm / max. 10 kg



7530

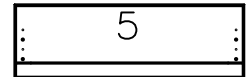
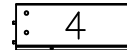
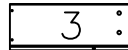
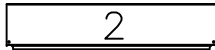
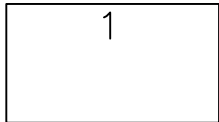
37,0x75,4x40,9 cm / max. 10 kg



7540

37,0x113,8x40,9 cm / max. 10 kg

Korpus - Korpus - Carcase - Carcasse
col.1



no. 7430 = 002942
no. 7440 = 002958
no. 7450 = 002942 x2

no. 7430 = 002938
no. 7440 = 002956
no. 7450 = 002938 x2

no. 7430 = 002939
no. 7440 = 002939
no. 7450 = 002939 x2

no. 7430 = 002940
no. 7440 = 002940
no. 7450 = 002940 x2

no. 7430 = 004111
no. 7440 = 002957
no. 7450 = 002941

no. 7460 = 002942
no. 7470 = 002958

no. 7460 = 002938
no. 7470 = 002956

no. 7460 = 002939
no. 7470 = 002939

no. 7460 = 002940
no. 7470 = 002940

no. 7460 = 005809
no. 7470 = 005759

no. 7530 = 002942
no. 7540 = 002958

no. 7530 = 002938
no. 7540 = 002956

no. 7530 = 002939
no. 7540 = 002939

no. 7530 = 002940
no. 7540 = 002940

no. 7530 = 002965
no. 7540 = 002964

Beslag - Beschläge - Fittings - Set de montage
col.1



A
1978054240
4,2x45mm

B
1972000009

C
970001056

D
970000576
392mm

E
1978103012
3,0x12mm

G
970000569
Left 400mm

H
970000568
Right 400mm

J
1978204210
4,2x9,5mm

K
1978003516
3,5x15mm

L
970001204

M
970001512 grey/white
970001513 grey/black

Lugano 7430, 7460, 7530	4	4	4	1	2	1	1	4	4	4	2
Lugano 7440, 7470, 7540	4	4	4	2	4	1	1	4	4	4	3
Lugano 7450	8	8	8	2	4	2	2	8	8	8	4

Værktøj - Werkzeuge - Tools - Outils

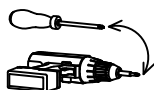


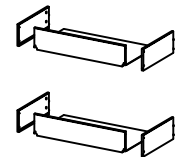
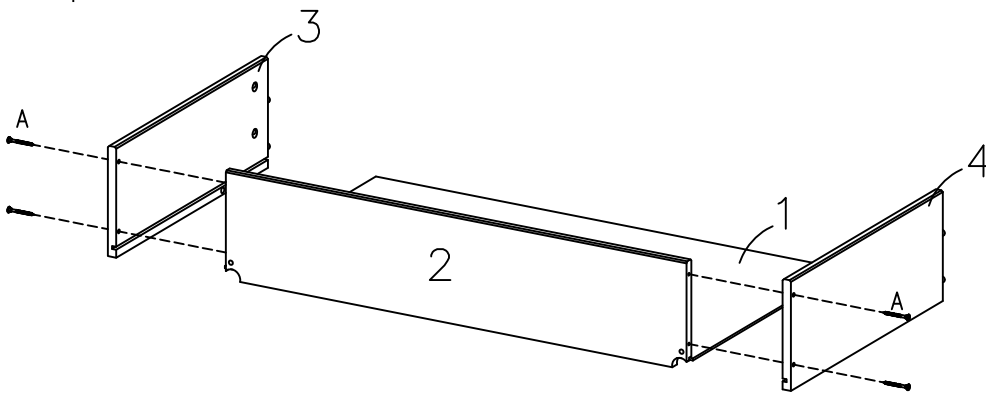
FIG. 1



7430
Example



A X 4
4,2x45mm



no. 7450

FIG. 2



7430
Example



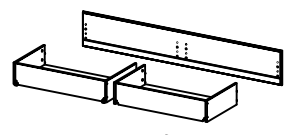
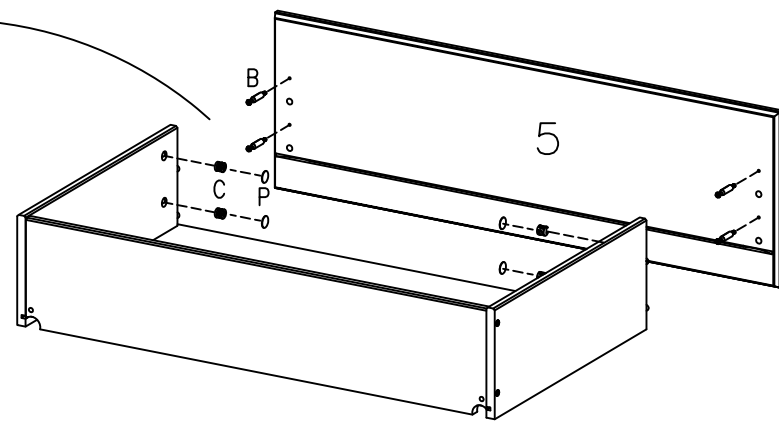
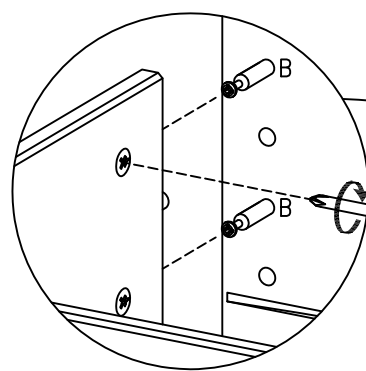
B X 4



C X 4



L X 4



no. 7450

FIG. 3



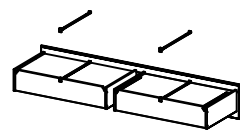
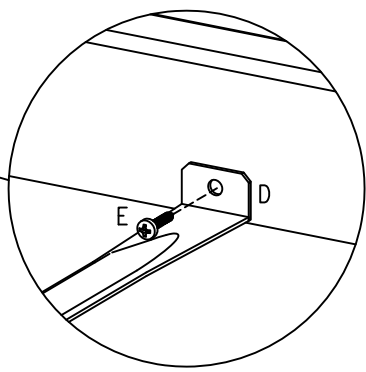
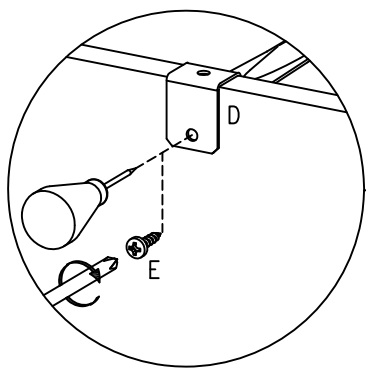
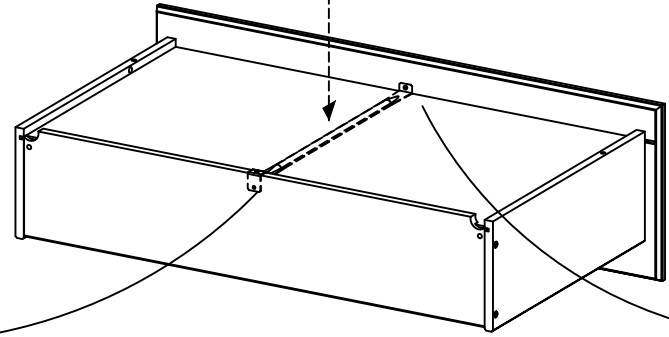
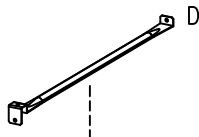
7430
Example



D X 1



E X 2
3,0x12mm



no. 7450

FIG. 4



7430
Example



G X 3
Left 400mm



H X 3
Right 400mm



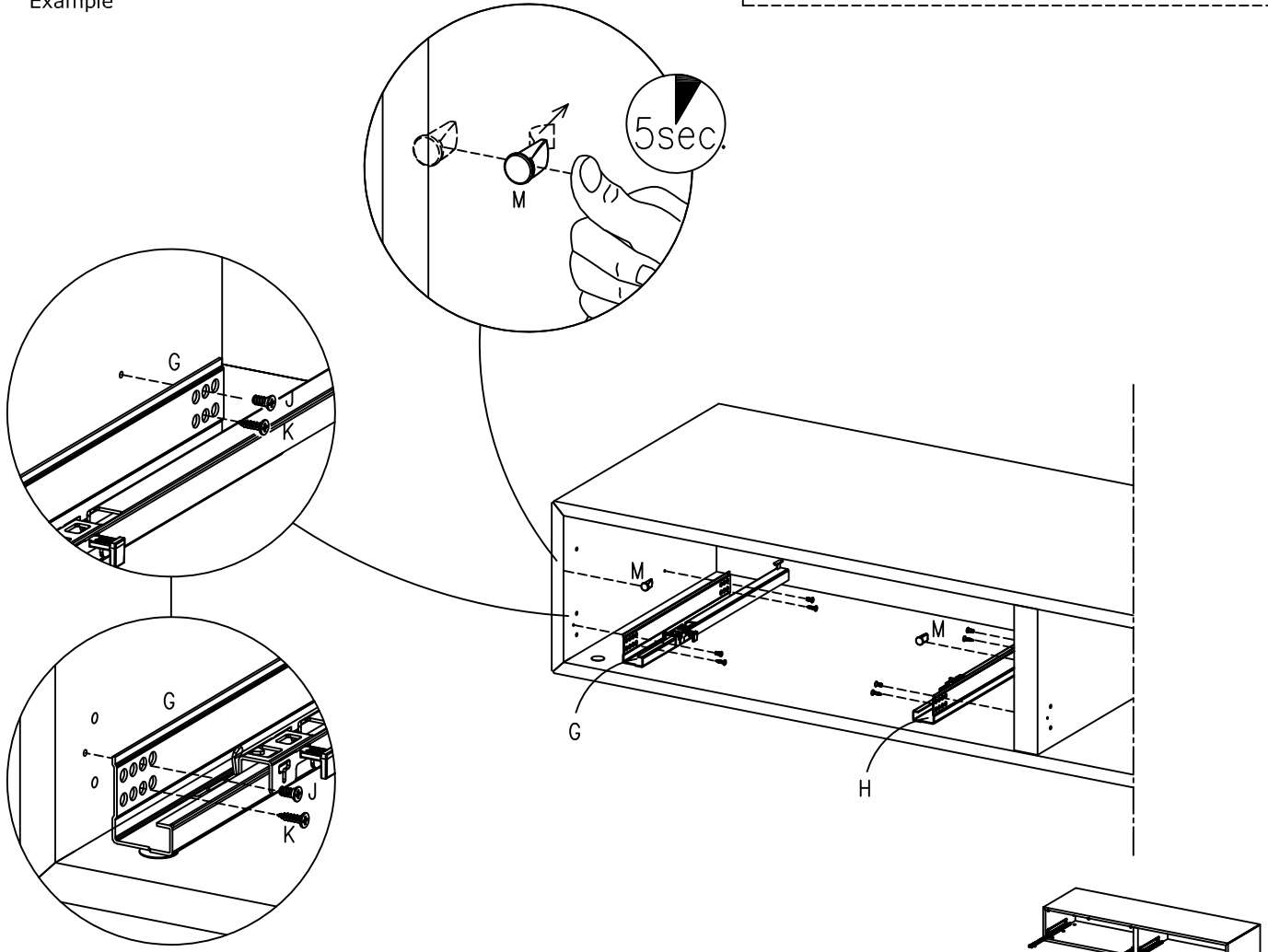
J X 12
4,2x9,5mm



K X 12
3,5x15mm



M X 2

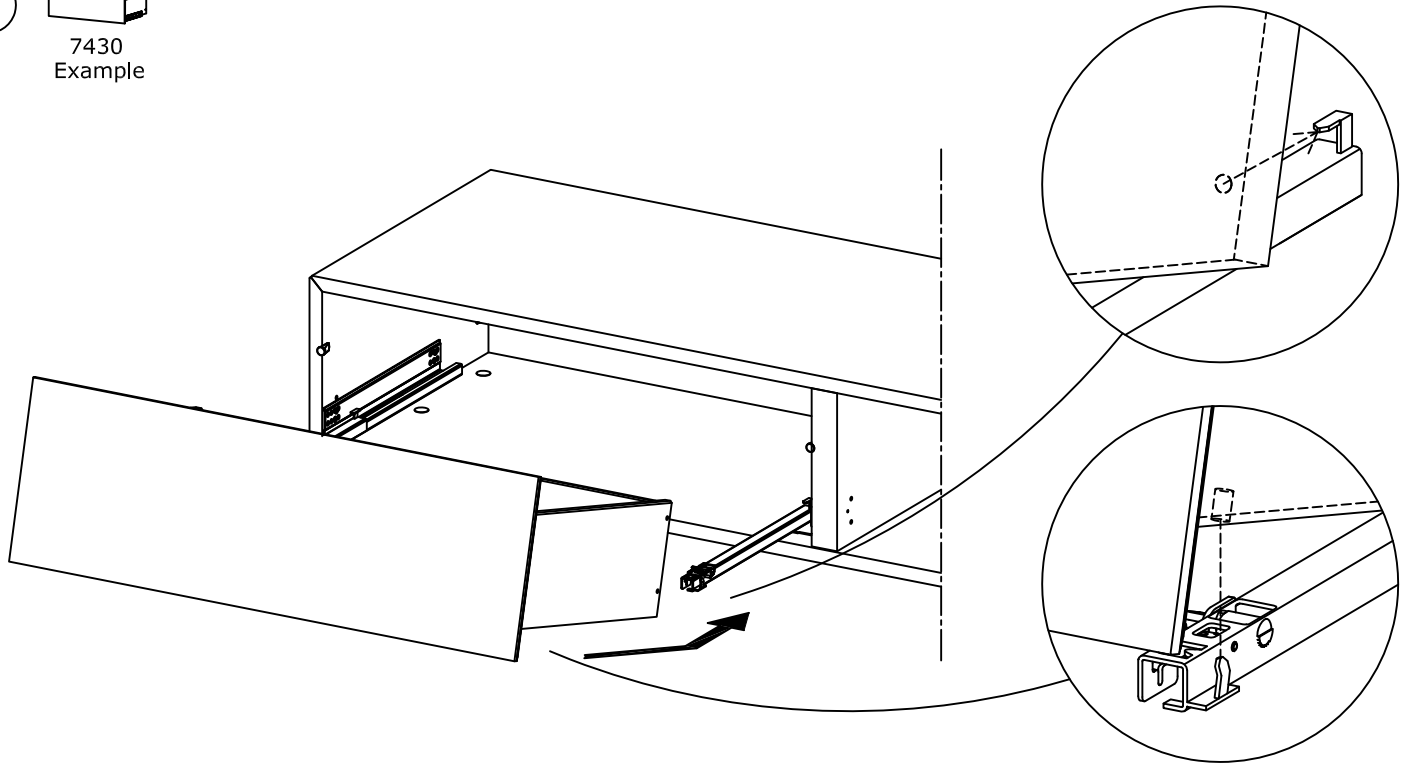


no. 7450

FIG. 5



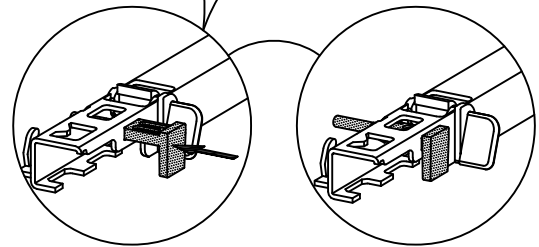
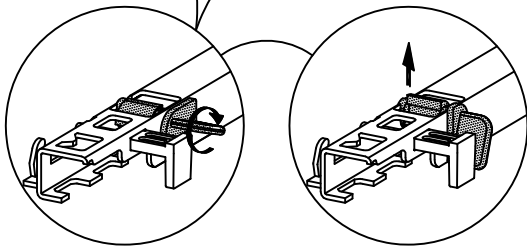
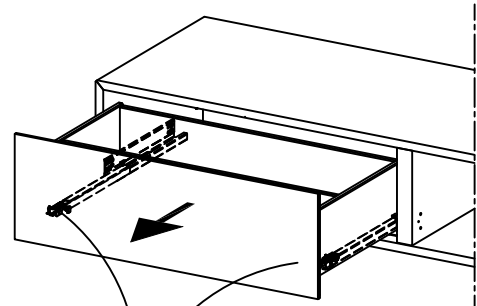
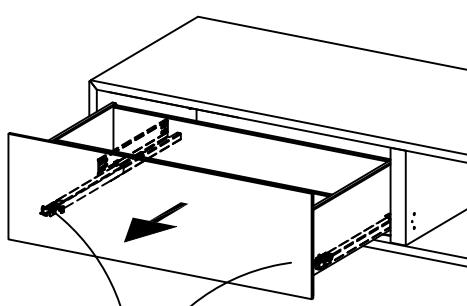
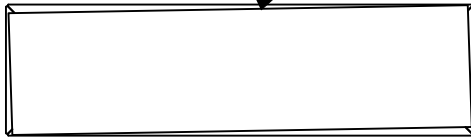
7430
Example



no. 7450

Attention!

Ok



- DK Ved reklamation oplyses følgende:
- D Im Reklamationsfall, bitte folgendes erläutern:
- US In case of claims, please state the following:
- F En cas de reclamation, veuillez indiquer:
- NL Bij service volgene mededelen
- E En caso de reclamacion, indicar lo siguiente:
- P No caso de reclamação, por favor indique o seguinte:
- JP お気づきの点等ございましたら、以下の点をお知らせください。

Example!

