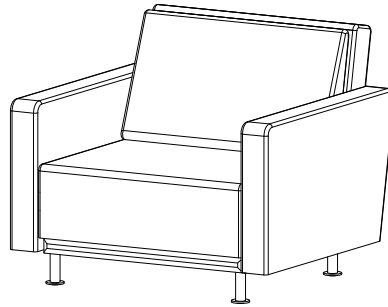


Melo 2

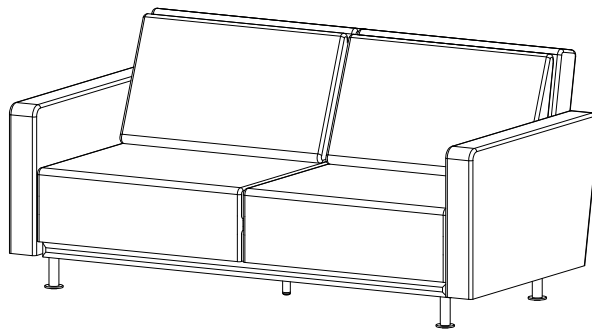
Design by BoConcept

Samvejledning - Assembly Instructions - Montageanleitung - Instructions d'assemblage - Instrucciones de montaje



310

79x99x83/200 cm

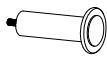


320

79x174x83/200 cm

Beslag - Beschläge - Fittings - Set de montage

310 1 pers.



A X 4



C X 1

6 mm



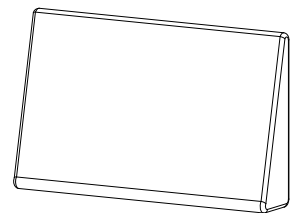
E X 16

M8x17mm



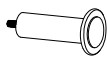
F X 16

M8x30mm



D X 2

320 2 pers.



A X 4



B X 1



C X 1

6 mm



E X 16

M8x17mm



F X 16

M8x30mm

FIG. 1

- A X 4
- B X 1

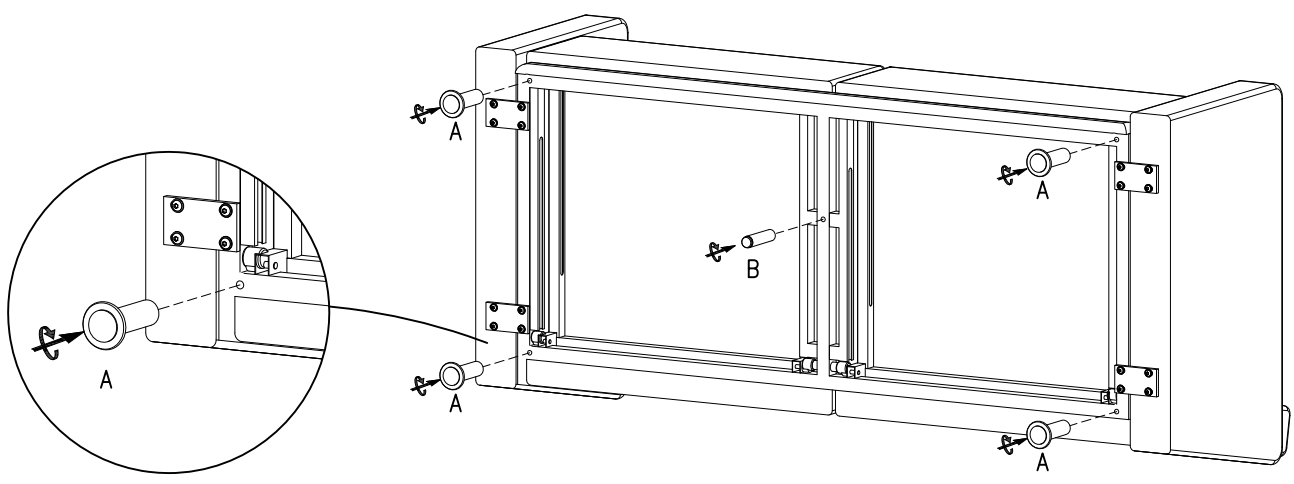
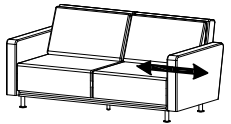


FIG. 2



- E X 16
- F X 16
- M8x30mm
- C X 1
- 6 mm

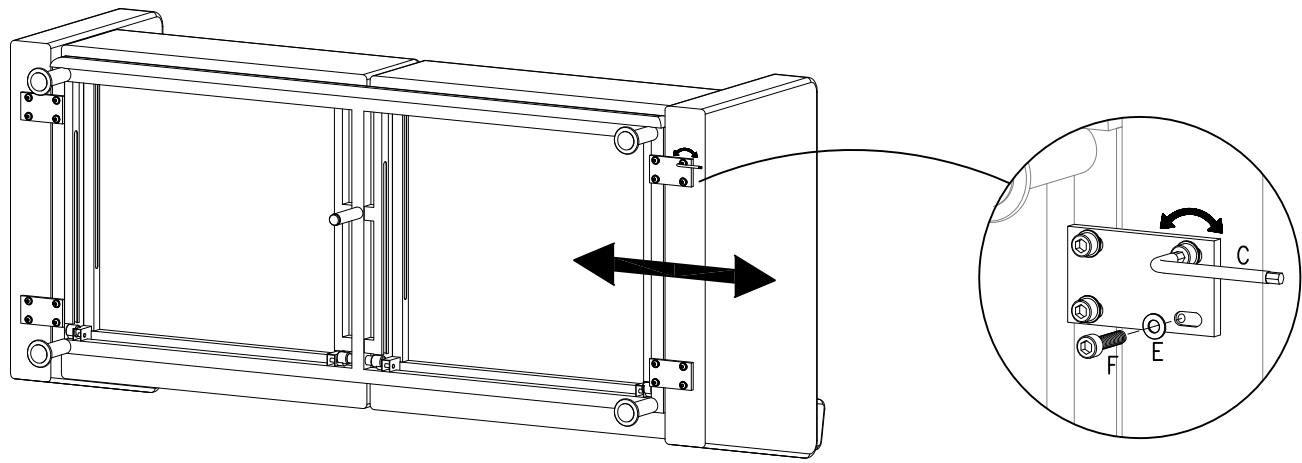
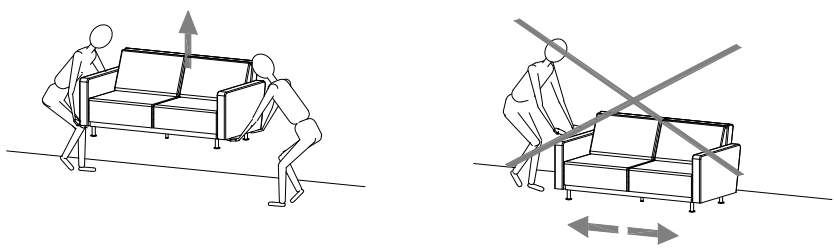
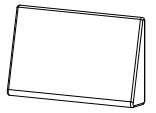


FIG. 3

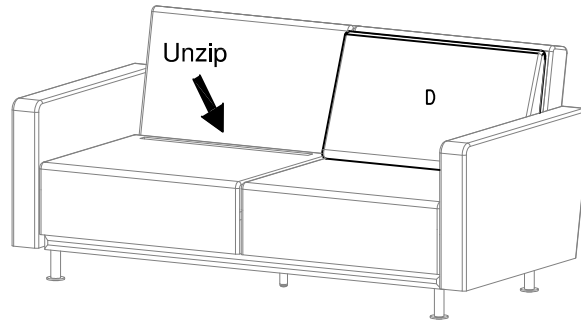
Attention!



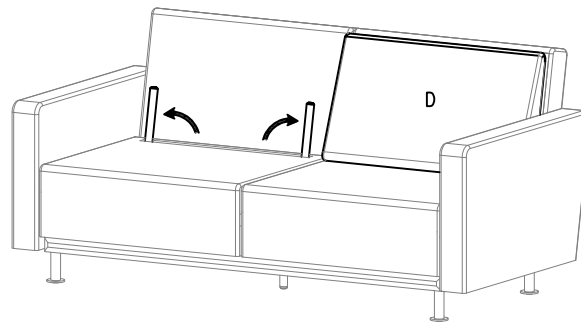


D X 2

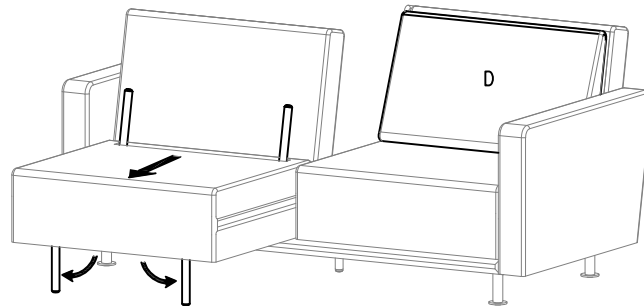
Step 1



Step 2



Step 3



Attention!

Step 4

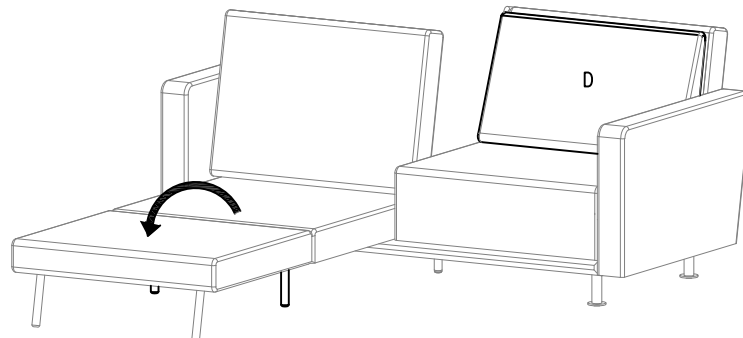


FIG. 5

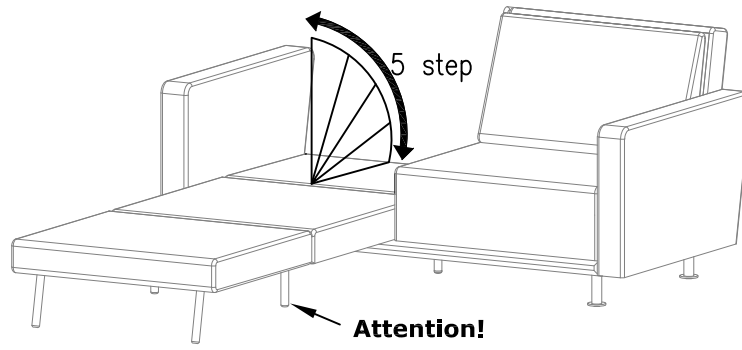
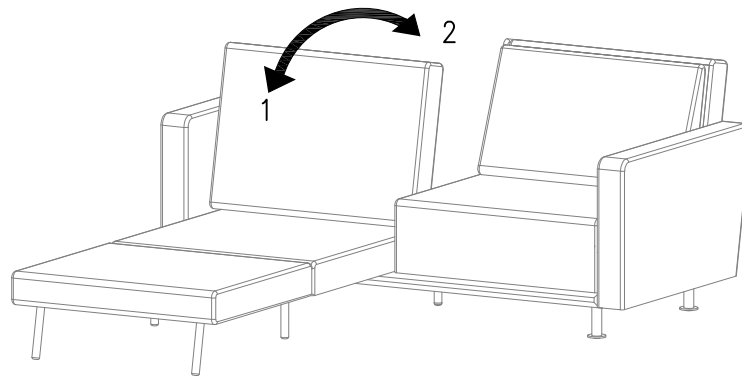


FIG. 6

