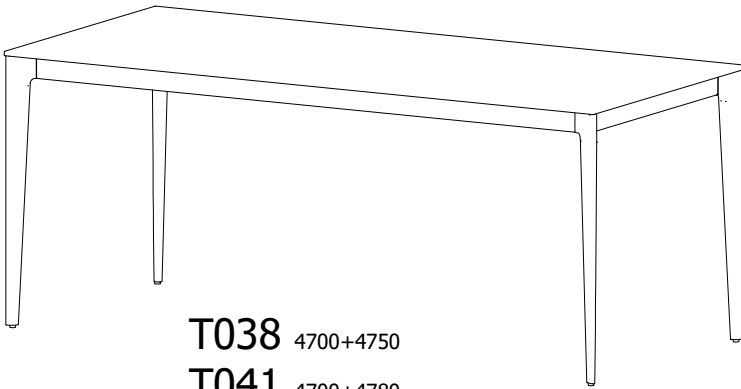


# Torino

Design by BoConcept

Samvejledning - Assembly Instructions - Montageanleitung - Instructions d'assemblage - Instrucciones de montaje



**T038** 4700+4750  
**T041** 4700+4780  
74,1x180x80cm

Example

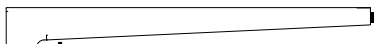


**T037** 4710+4760  
**T040** 4710+4790  
74,1x120x80cm

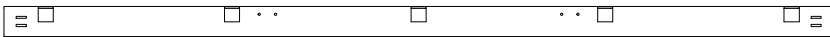
Model 4700

Korpus - Korpus - Carcasse - Carcasse

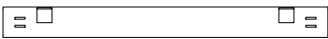
Model 4710



**1** x4 004733



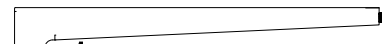
**2** x2 004734



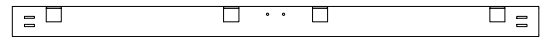
**3** x2 004735



**4** x2 004736



**1** x4 004733



**5** x2 004737



**3** x2 004735

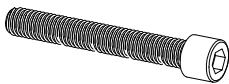


**4** x1 004736

Beslag - Beslage - Fittings - Set de montage

4700 - No. 937000010

4710 - No. 937000011



**A x 4**  
970001592  
M8x55mm



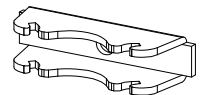
**B x 4**  
970000884  
D20, 8,4x1,4 mm



**C x 4**  
970000905  
Spring washer D14 d8,3x3,0 mm



**D x 8 / 4**  
970001482  
M6x10mm



**E x 4**  
004805



**F x 12/14**  
970001599  
Screw ma M4x11 mm



**G x 12/14**  
970001600  
Bush M4 D8x8

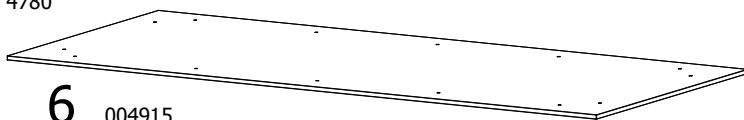


**H x 1**  
970001692  
4mm



**J x 1**  
970000807  
6mm

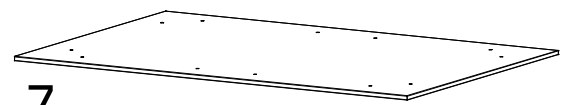
Model 4780



**6** 004915

Example

Model 4790

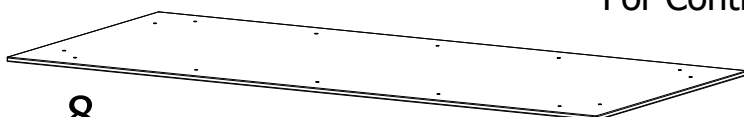


**7** 004916

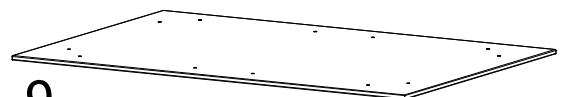
Model 4750

For Contract use only!

Model 4760



**8** 004741



**9** 004742

FIG. 1

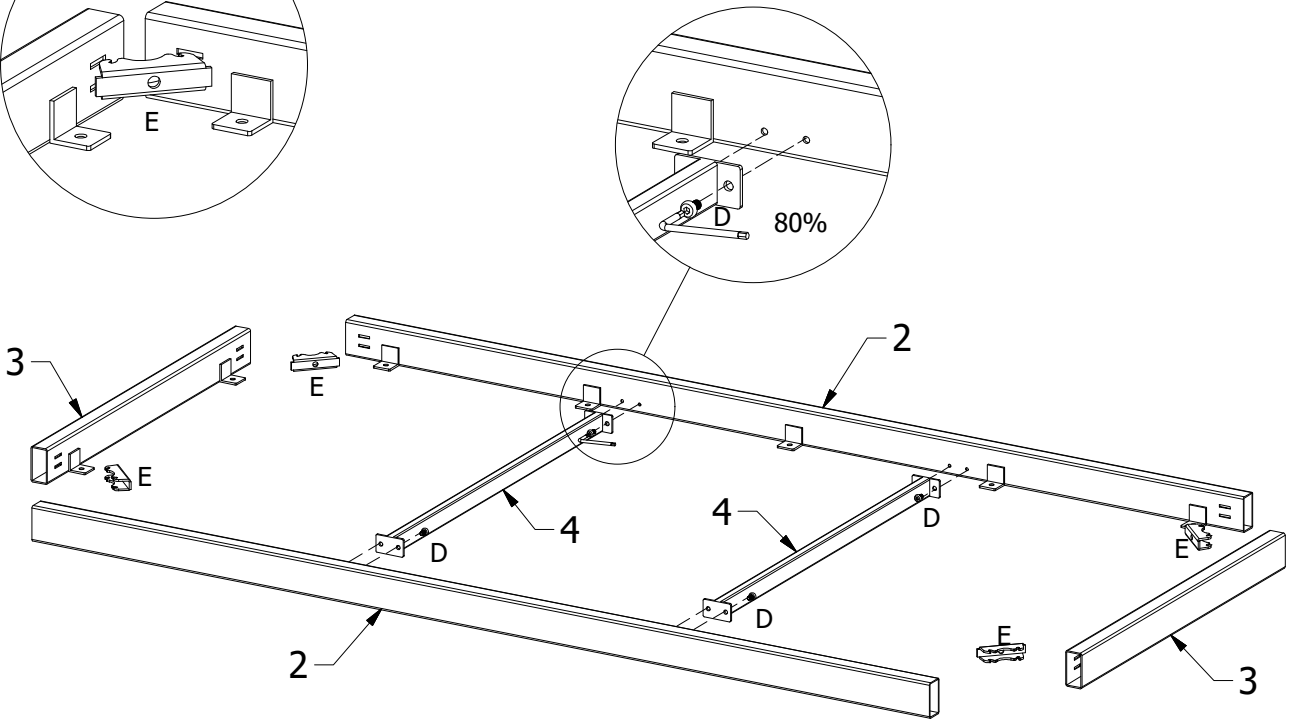
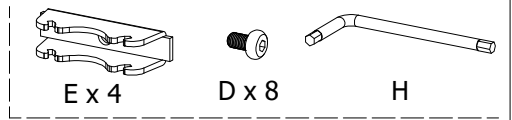
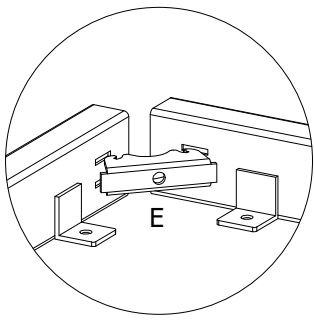


FIG. 2

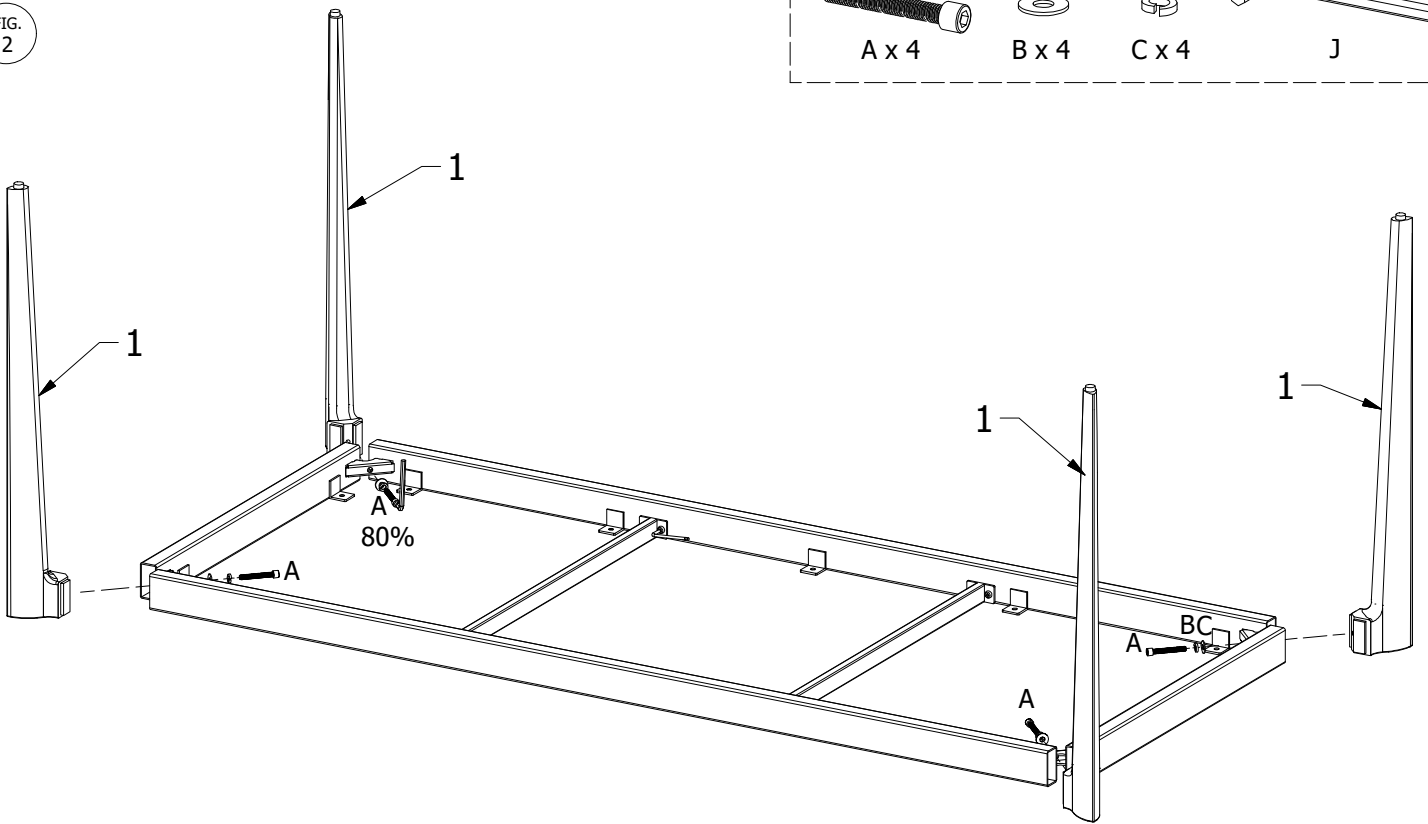
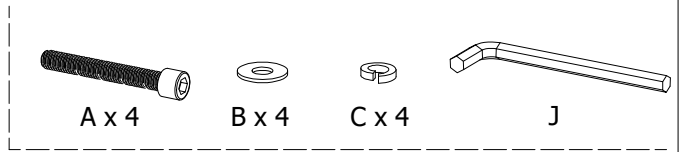


FIG. 3

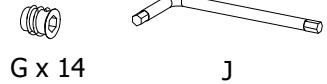
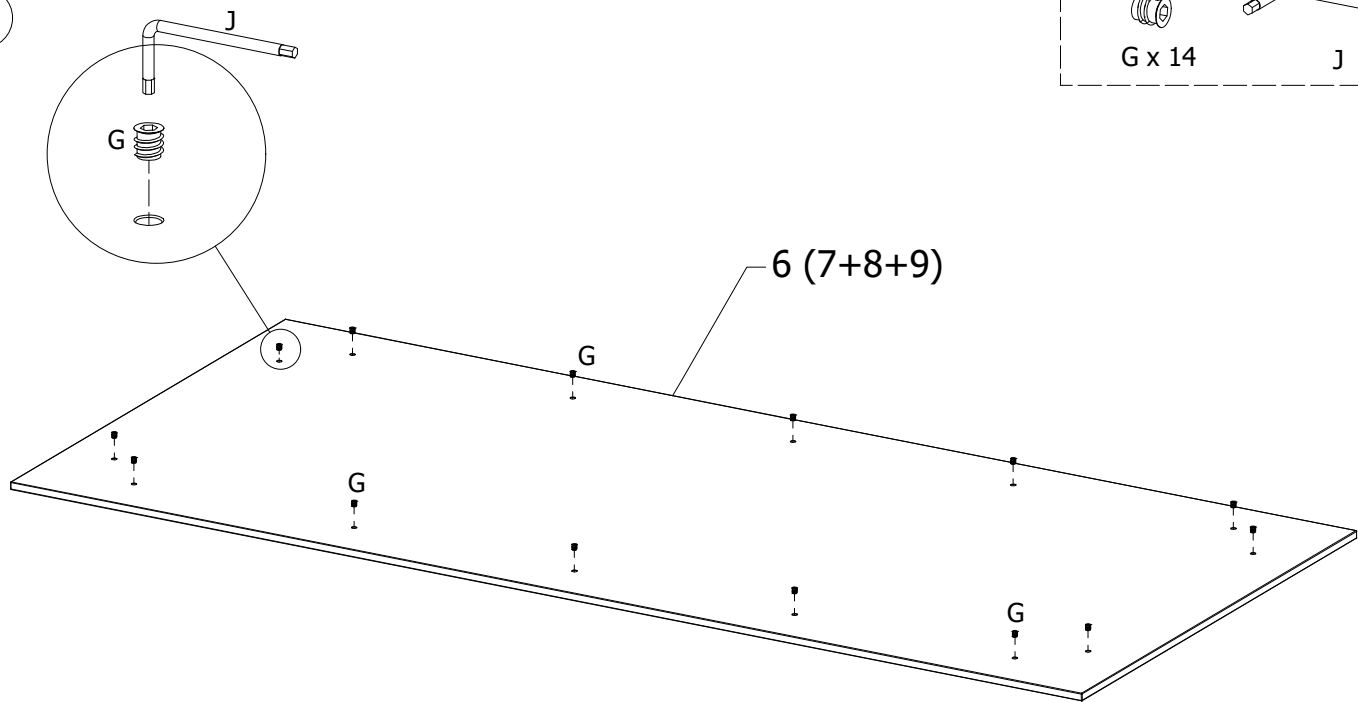
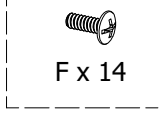
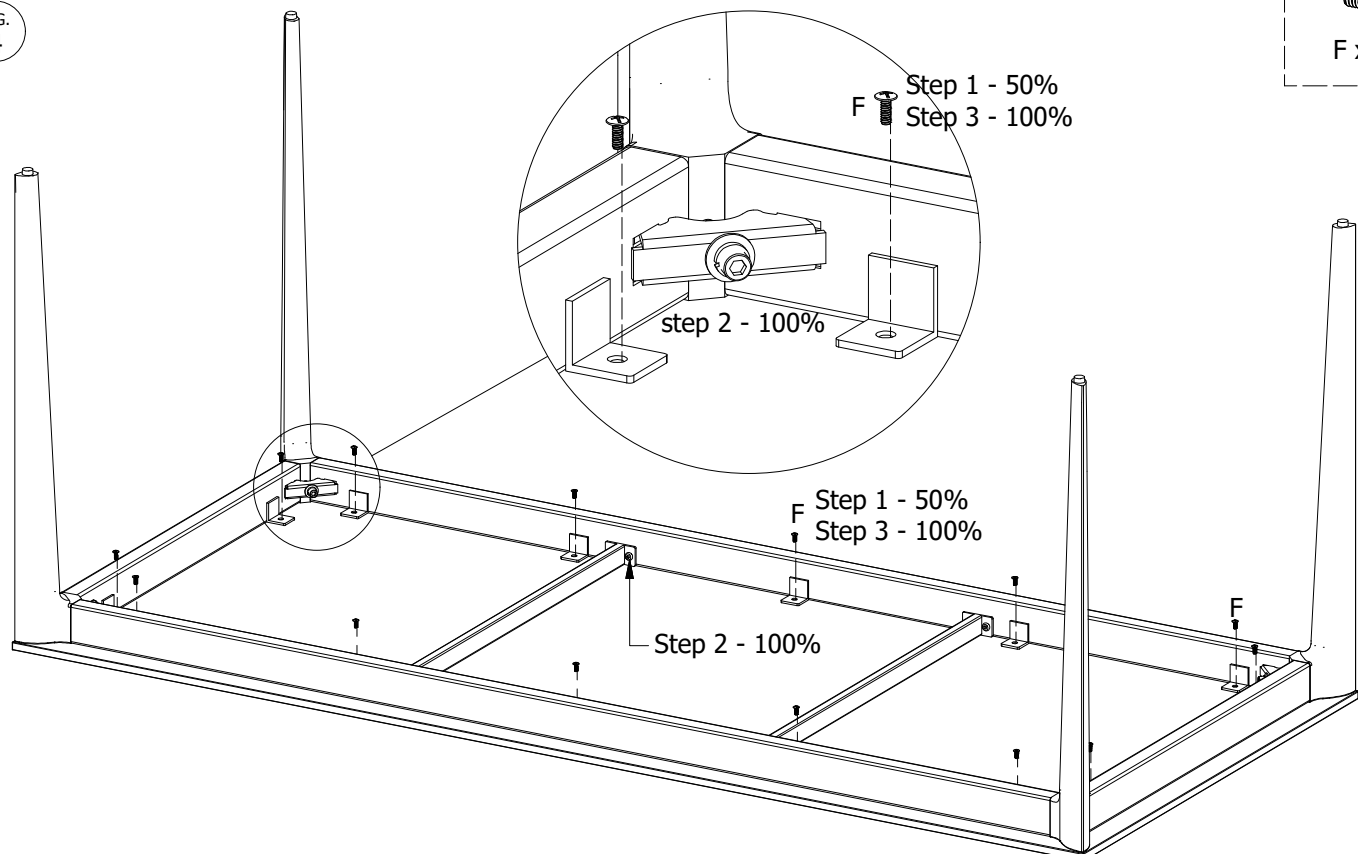


FIG. 4



**!** DK Ved reklamation oplyses følgende:  
 D Im Reklamationsfall, bitte folgendes erläutern:  
 US In case of claims, please state the following:  
 F En cas de réclamation, veuillez indiquer:  
 NL Bij service volgene mededelen  
 E En caso de reclamación, indicar lo siguiente:  
 P No caso de reclamação, por favor indique o seguinte:  
 JP お気づきの点等ございましたら、以下の点をお知らせください。

Example!

