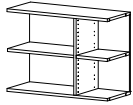


# Copenhagen

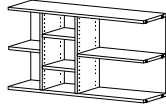
Design by BoConcept

Samvejledning - Assembly Instructions - Montageanleitung - Instructions d'assemblage - Instrucciones de montaje

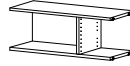
## Example



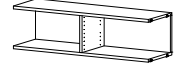
**0090**  
66,2x91,8x37,0 cm Max 30 kg



**0100**  
66,2x123,8x37,0 cm Max 30 kg



**0200**  
34,2x91,8x37,0 cm Max 30 Kg

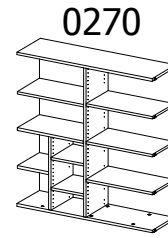
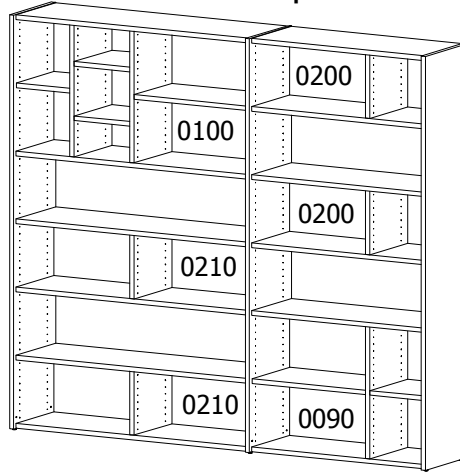


**0210**  
34,2x123,8x37,0 cm max 30 Kg



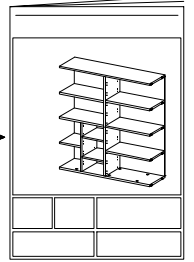
**0220**  
66,2x619x37,0 cm Max 30 kg

## Example

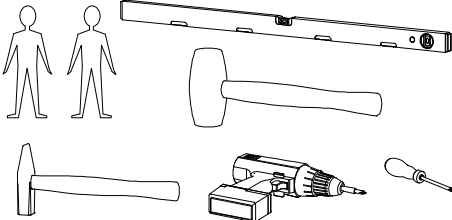


**0270**

**943430270**

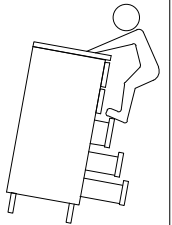


## Værktøj - Werkzeuge - Tools - Outils

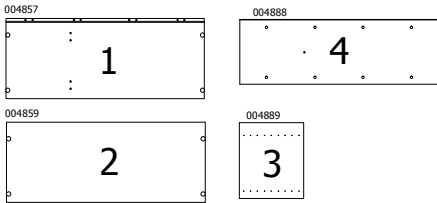


## WARNING!!!

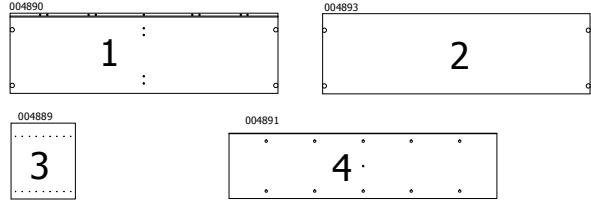
DO NOT allow children to climb on unit. Open one drawer at a time.



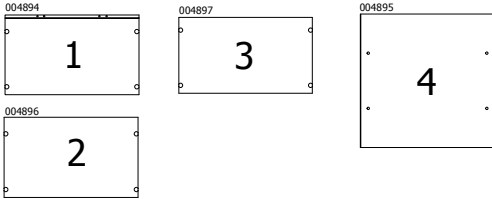
### 0200 Col. 0201 Korpus - Carcase - Carcasse



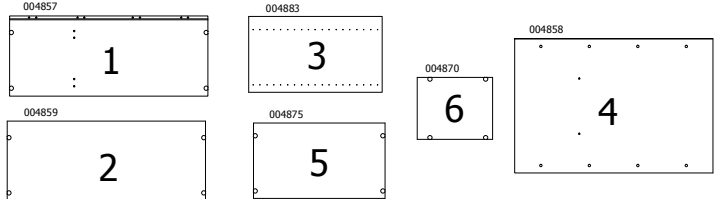
### 0210 Col. 0211



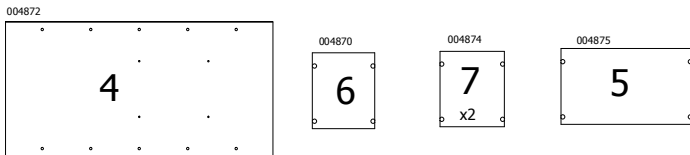
### 0220 Col. 0221



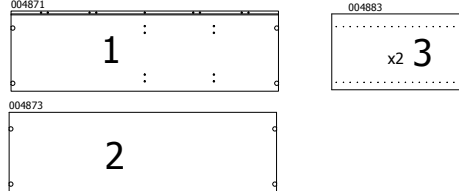
### 0090 Col. 0091



### 0100 Col. 0101



### 0100 Col. 0102

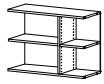


## Beslag - Beschläge - Fittings - Set de montage



Colli	1972000033	970001056	1979110830	1978054240	970001581	970001580	1972290002	970001573	970001601	970001602
0091	8	8	8	2	16	16	16	4	1	1
0102	10	10	8	4	24	24	24	8	1	1
0201	8	8	8	1	8	8	8	4	1	1
0211	10	10	8	1	8	8	8	4	1	1
0221	4	4	4	0	12	12	12	0	0	0

FIG. 1



Example

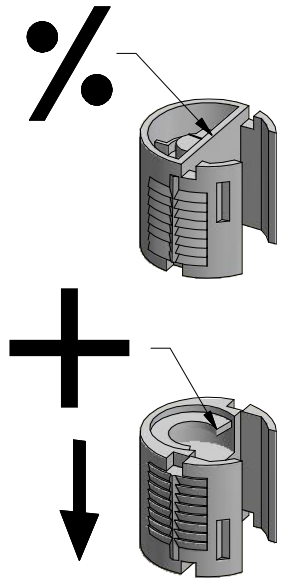
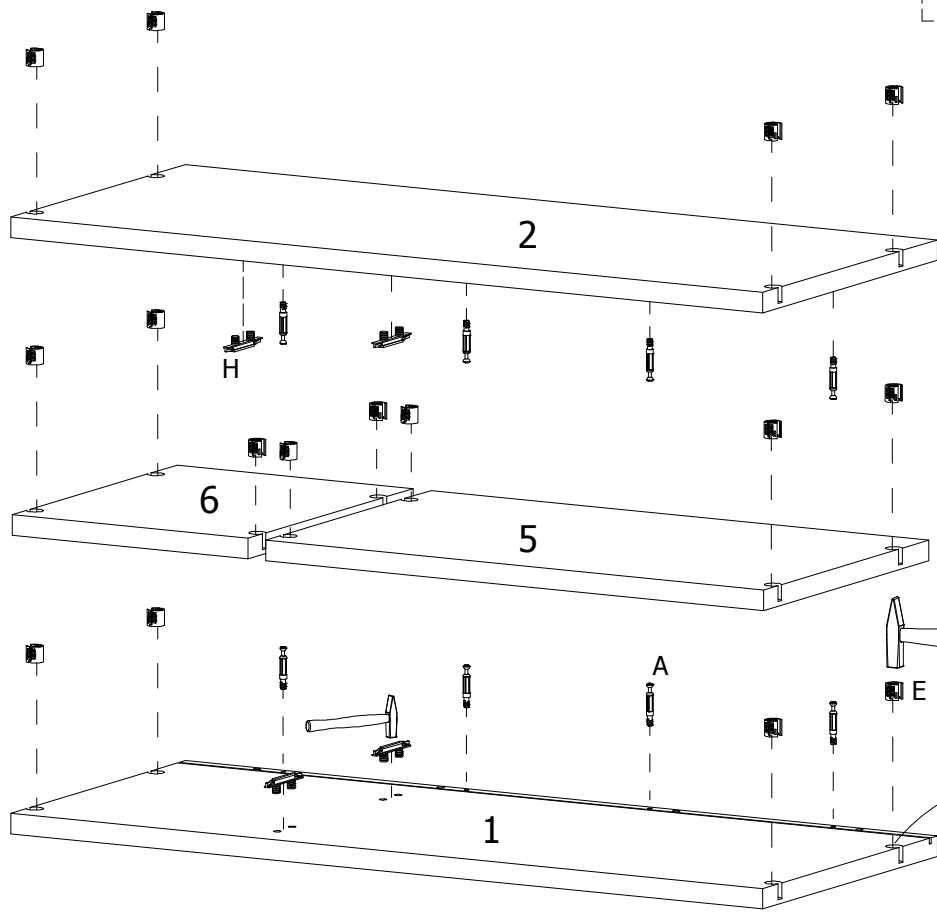
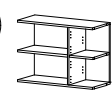


FIG. 2



Example

Attention 0100

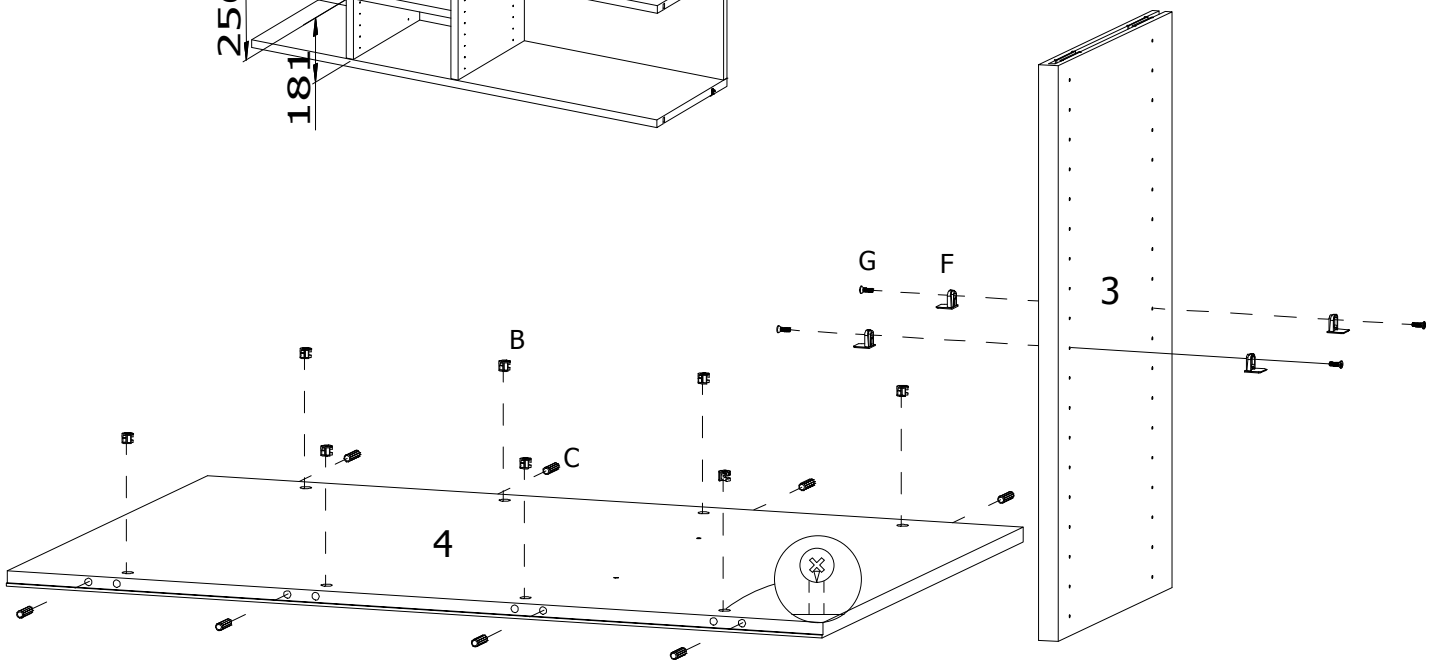
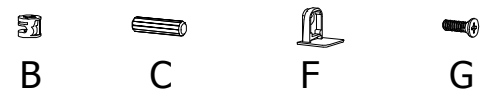
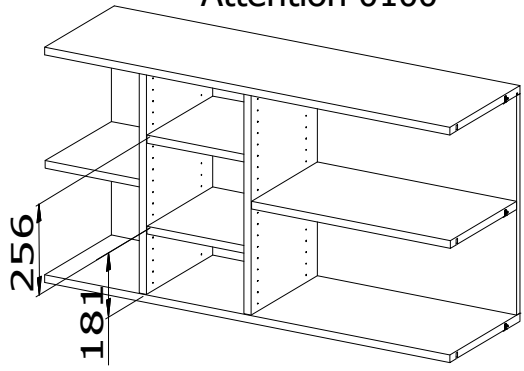


FIG. 3

# Attention

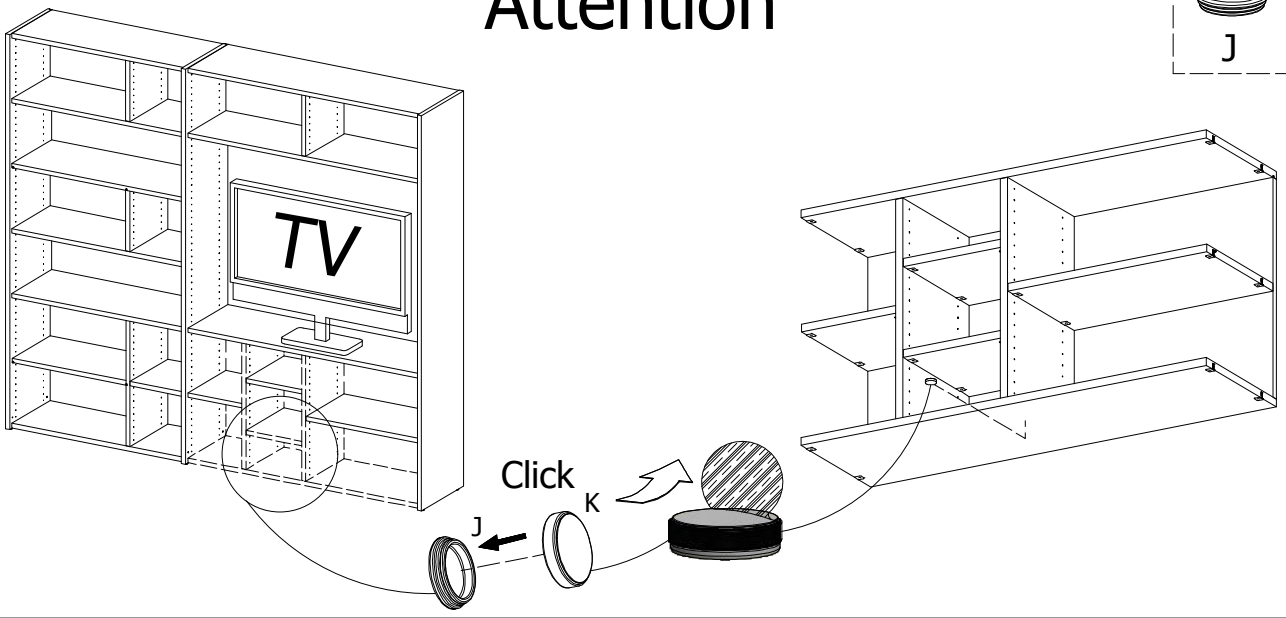
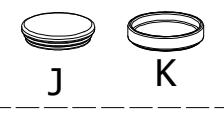


FIG. 4

943430010

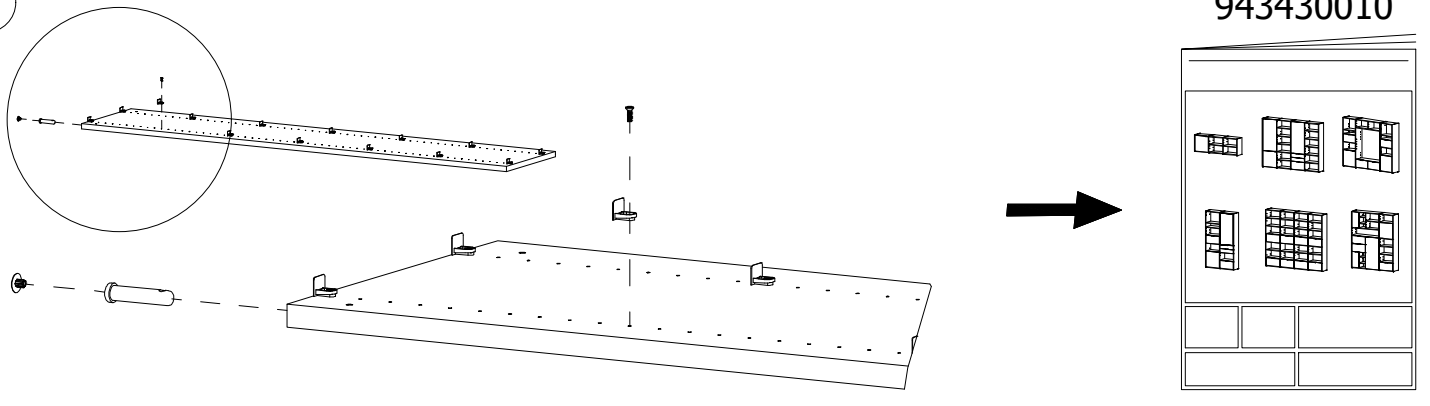


FIG. 5

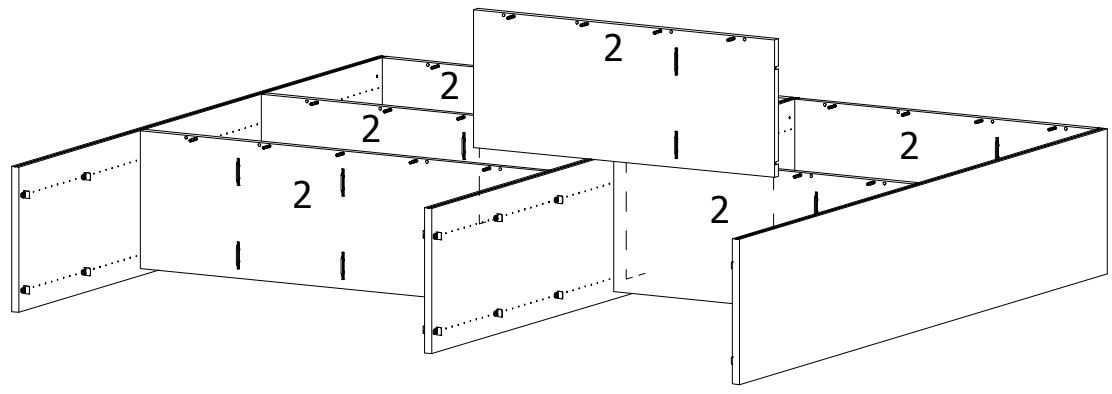
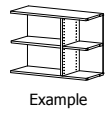


FIG. 6

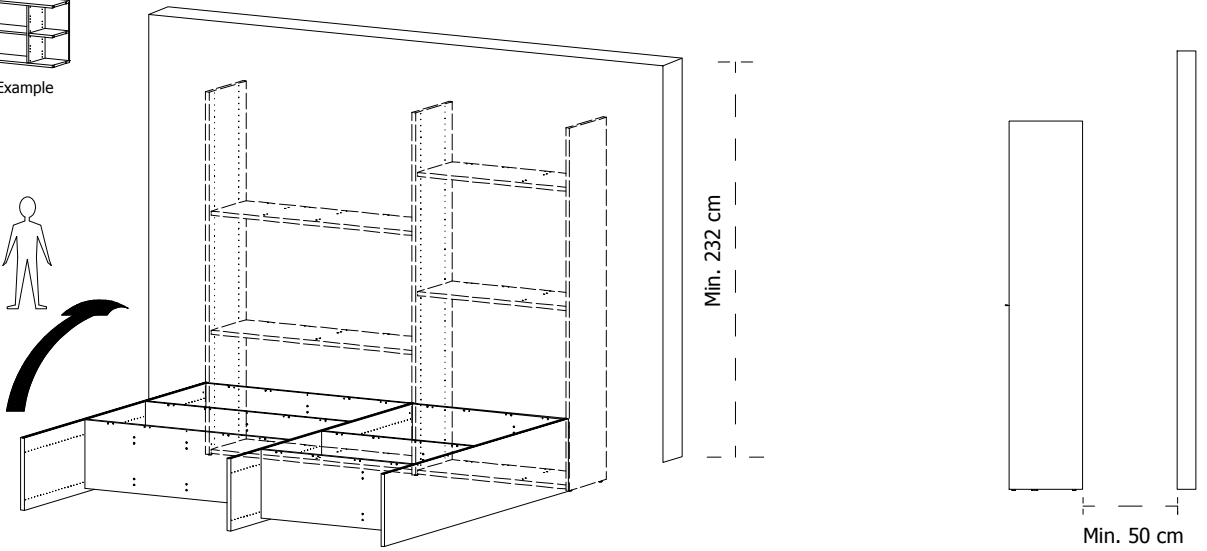
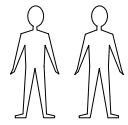
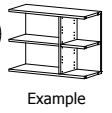
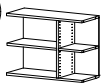


FIG. 7



Example

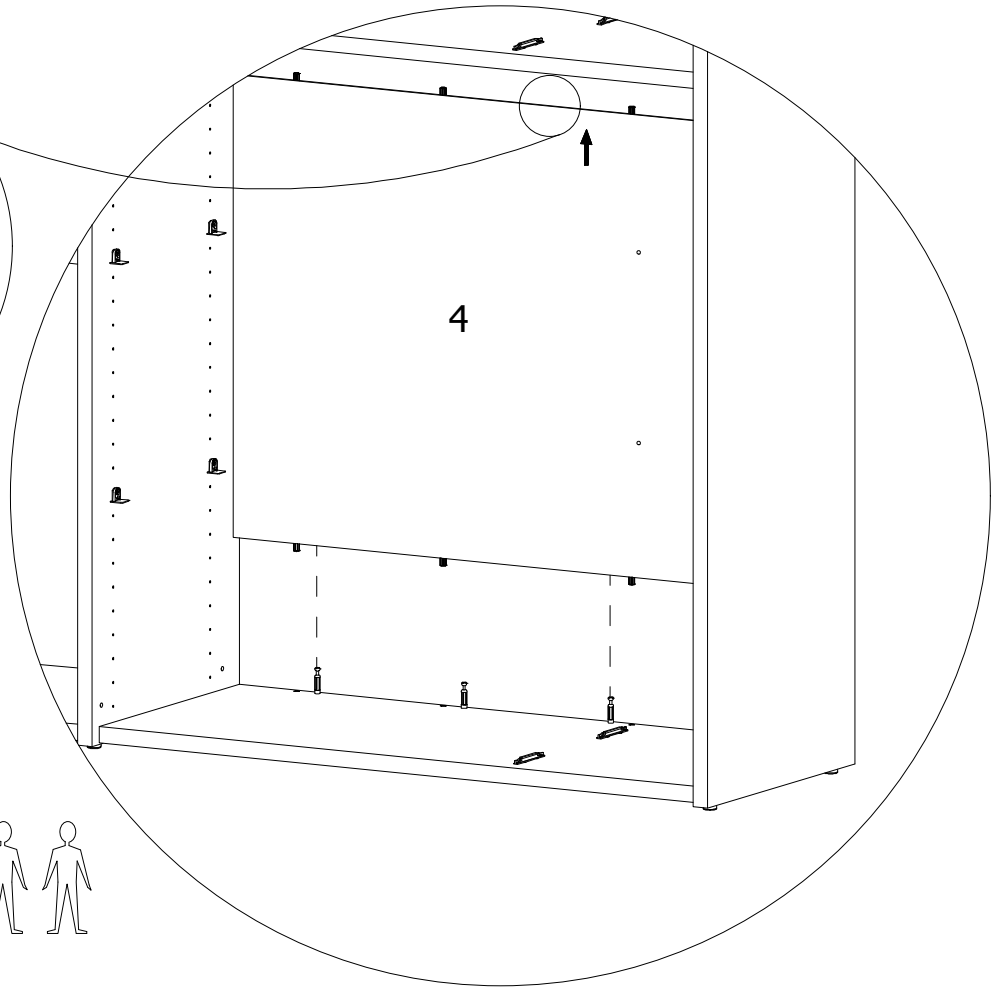
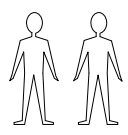
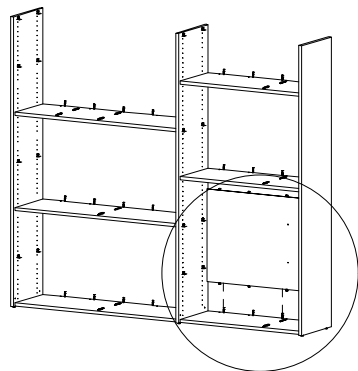
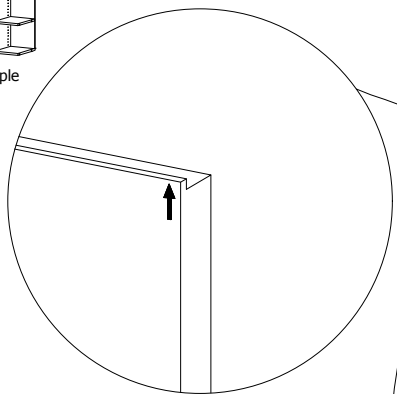
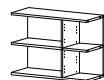


FIG. 8



Example

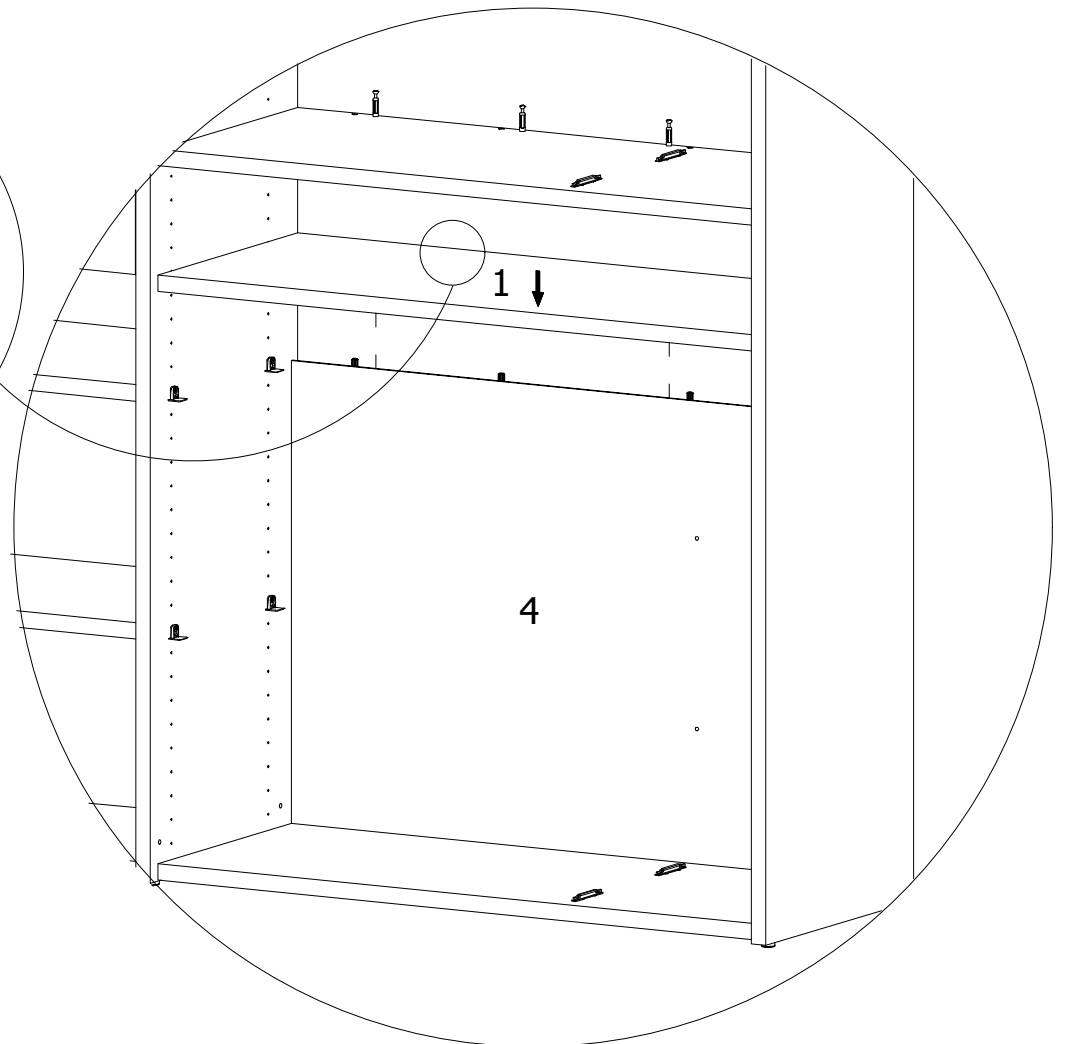
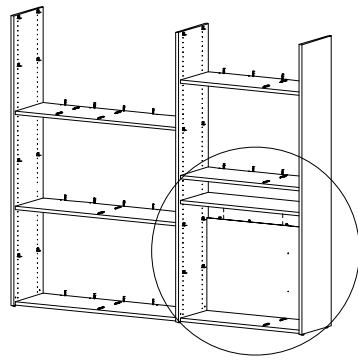
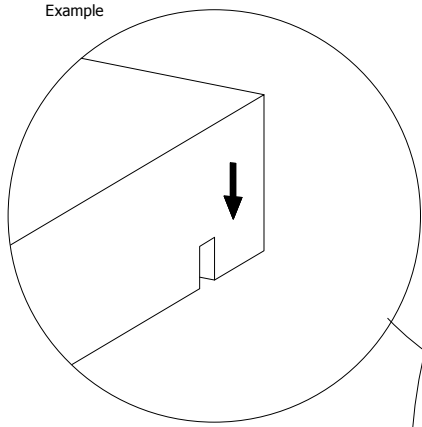


FIG. 9

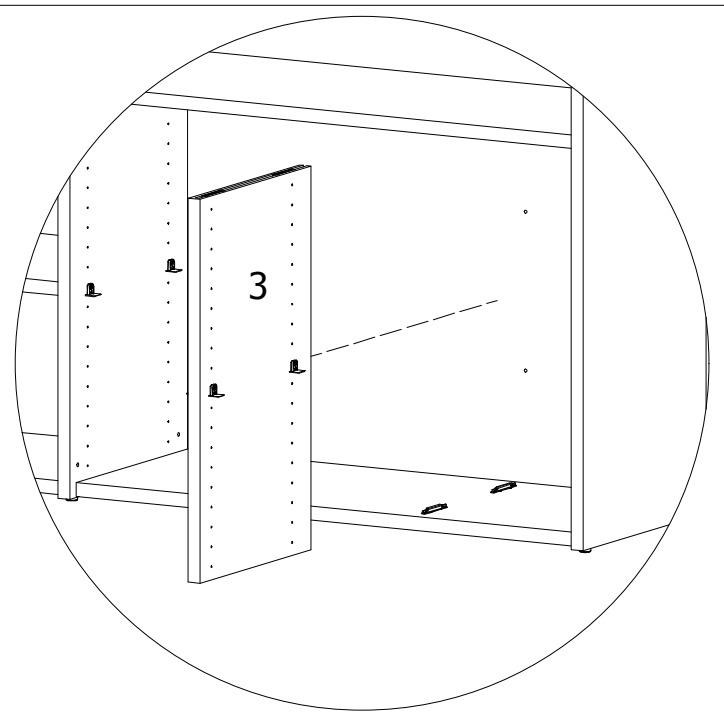
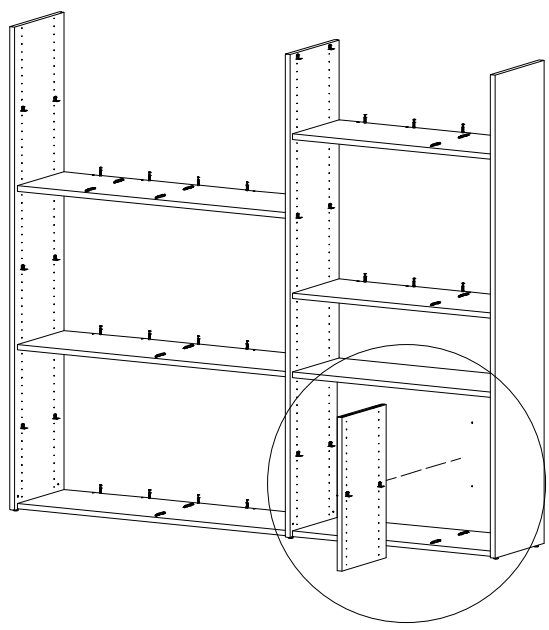
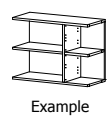


FIG. 10

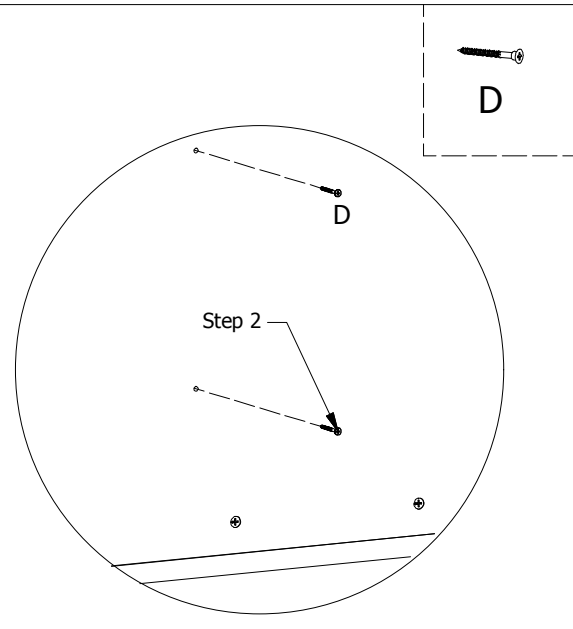
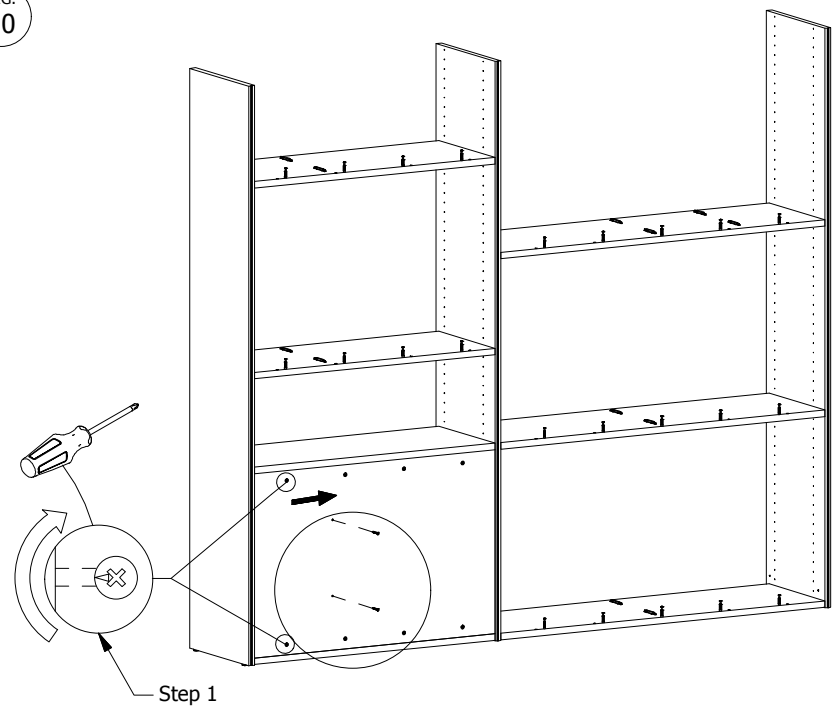


FIG. 11

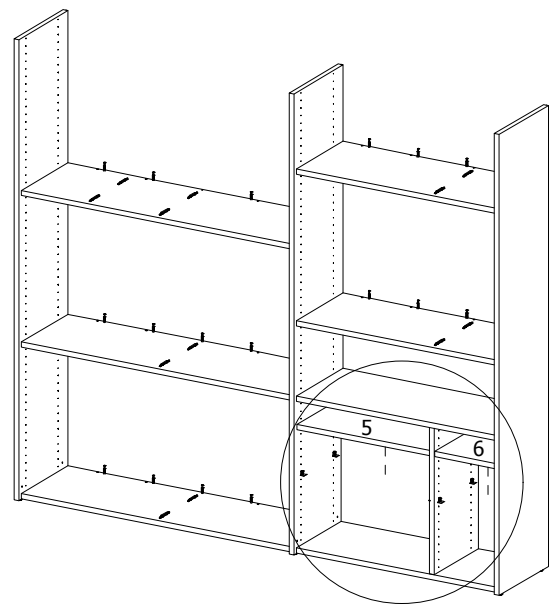
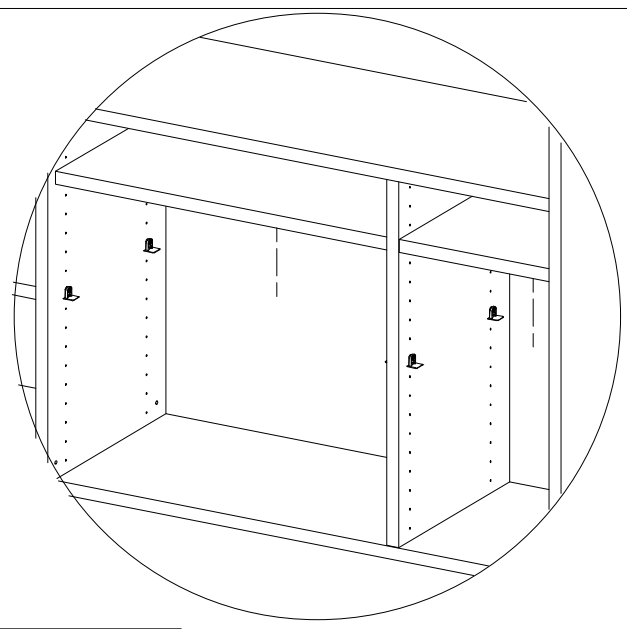


FIG. 12

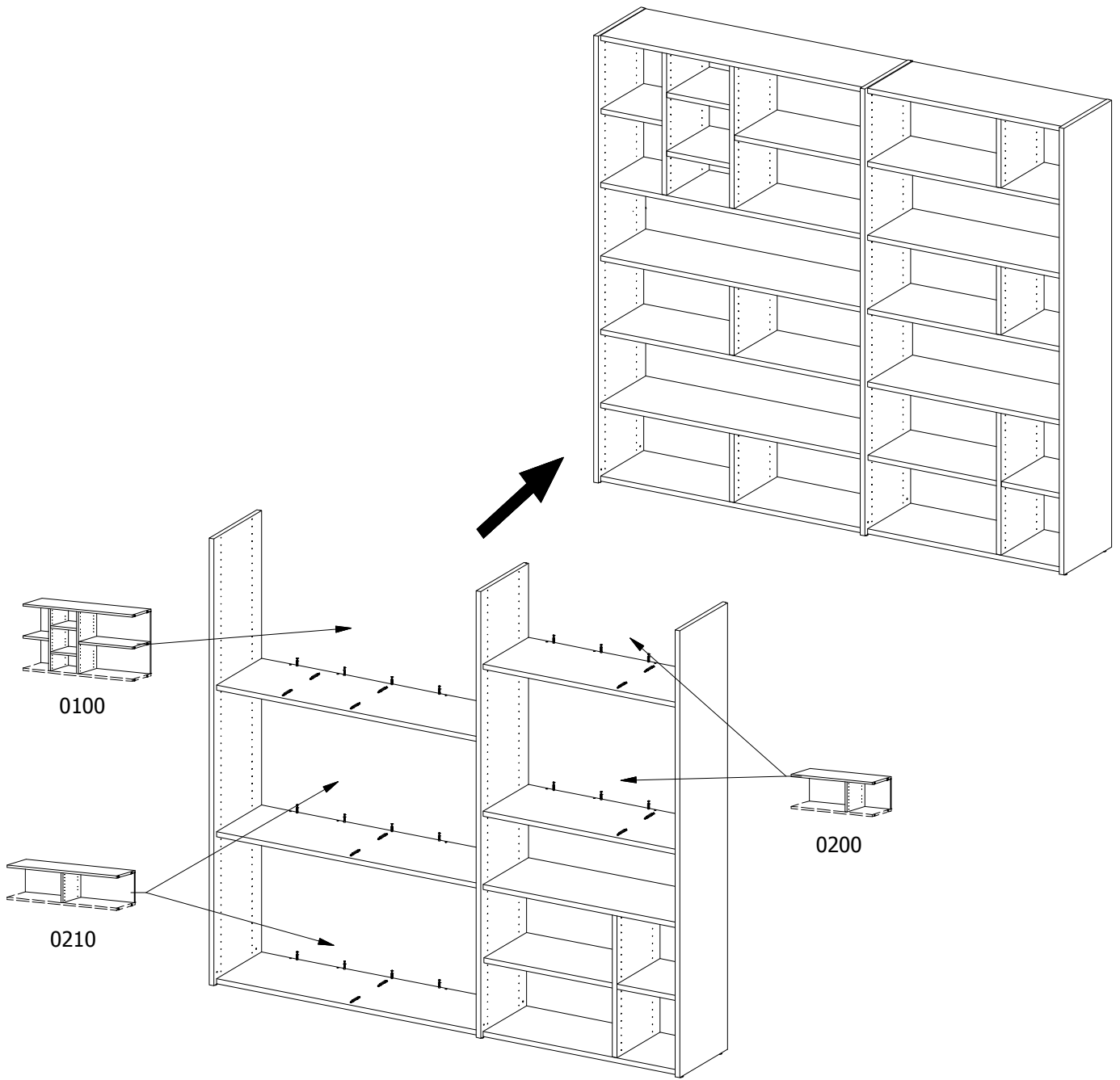


FIG. 13

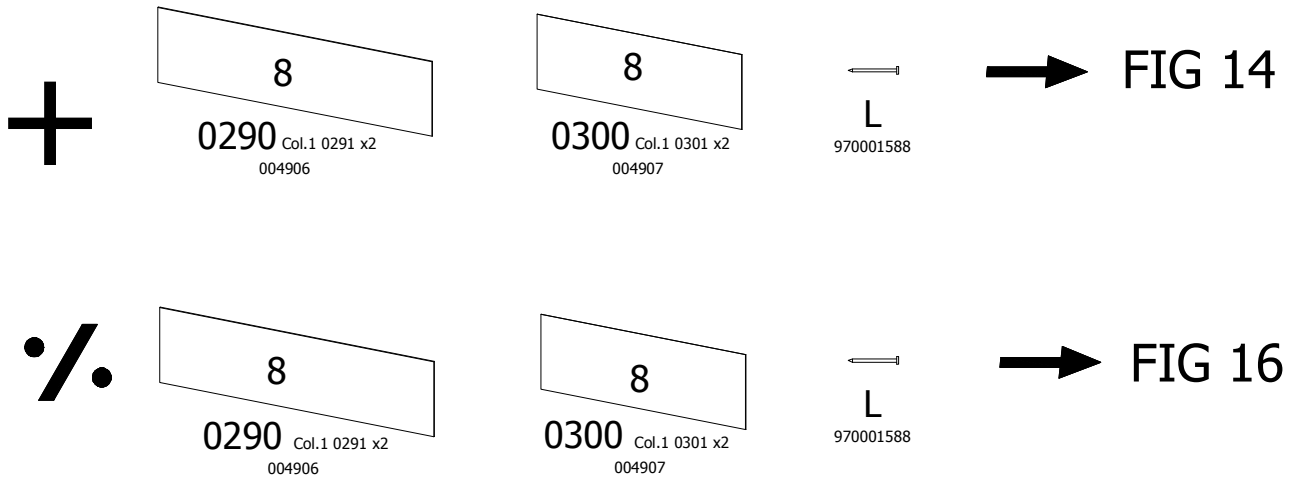


FIG. 14

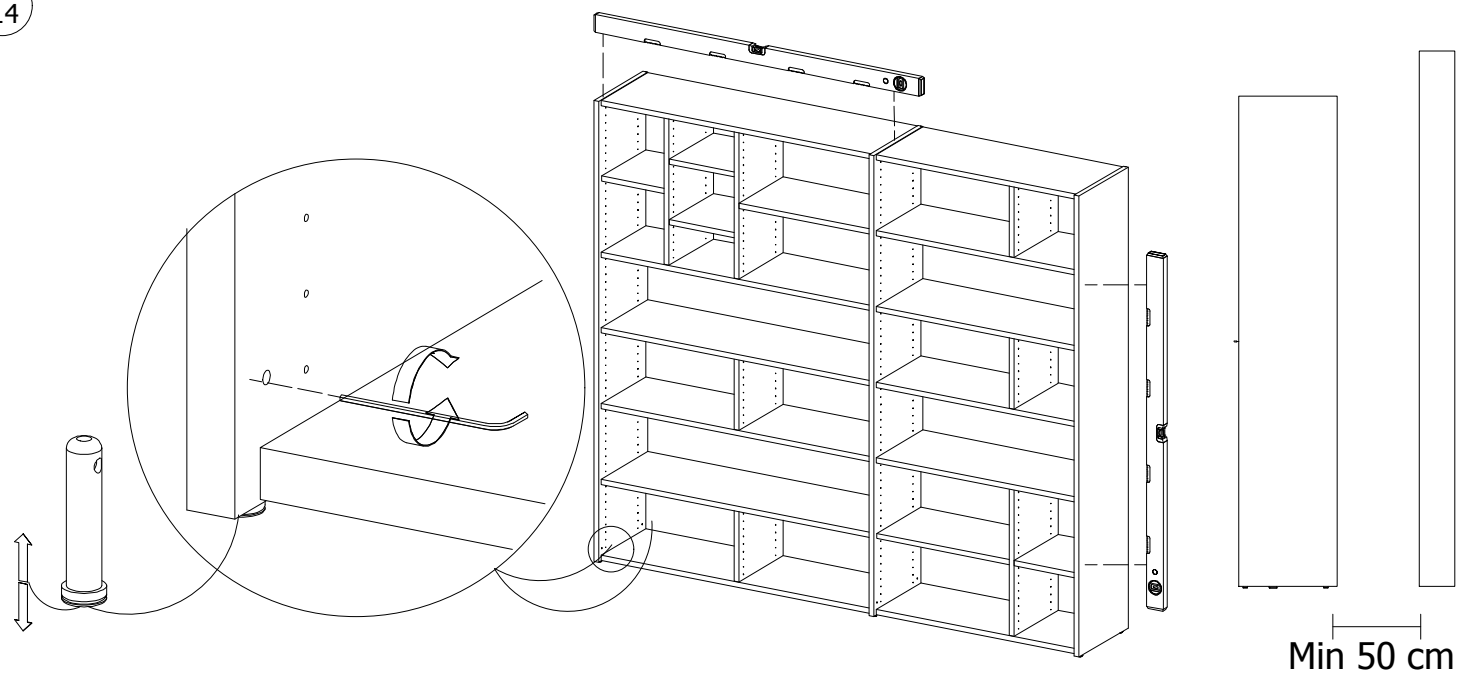


FIG. 15

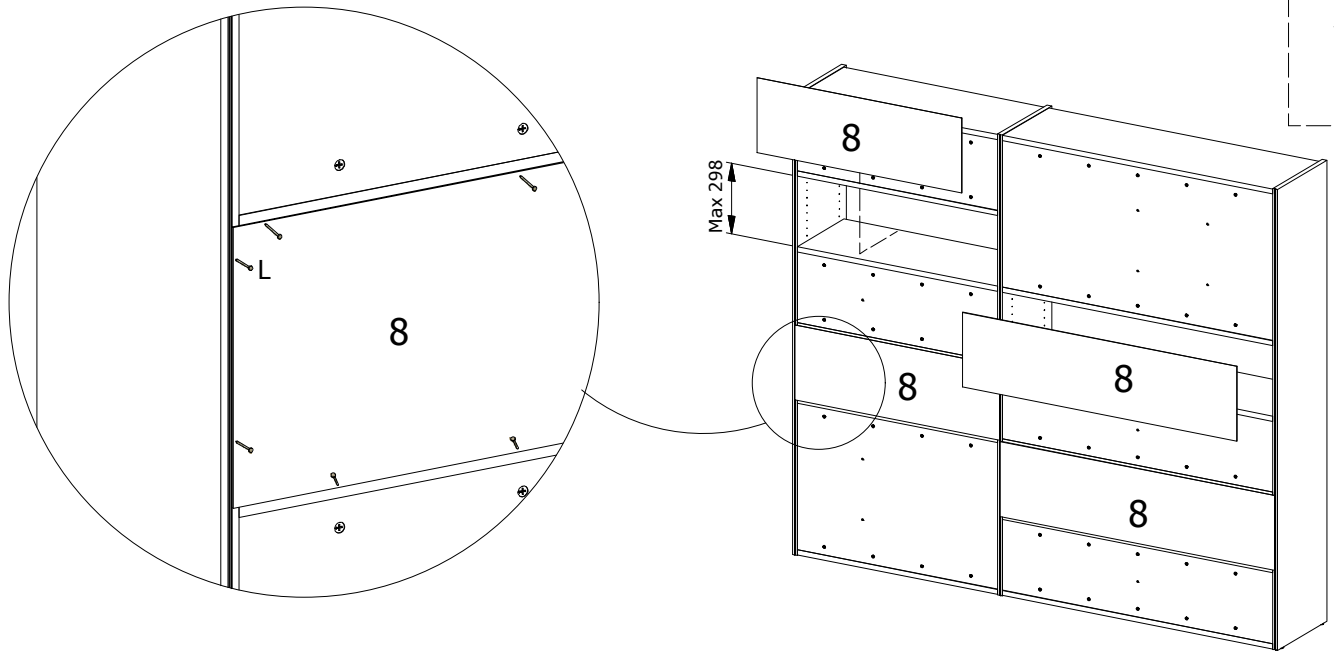


FIG. 16

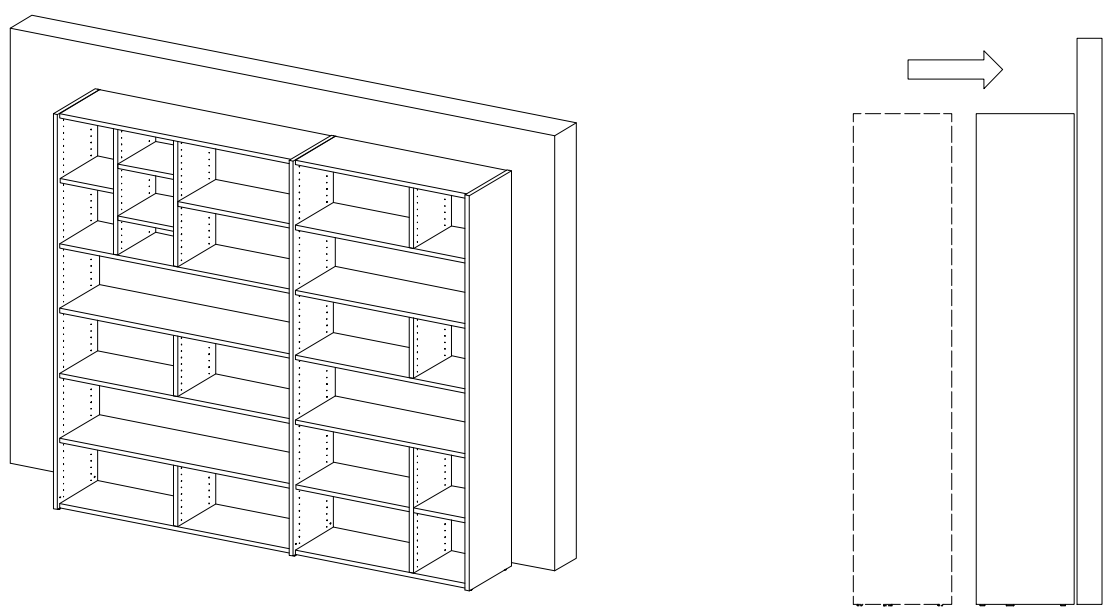


FIG. 17

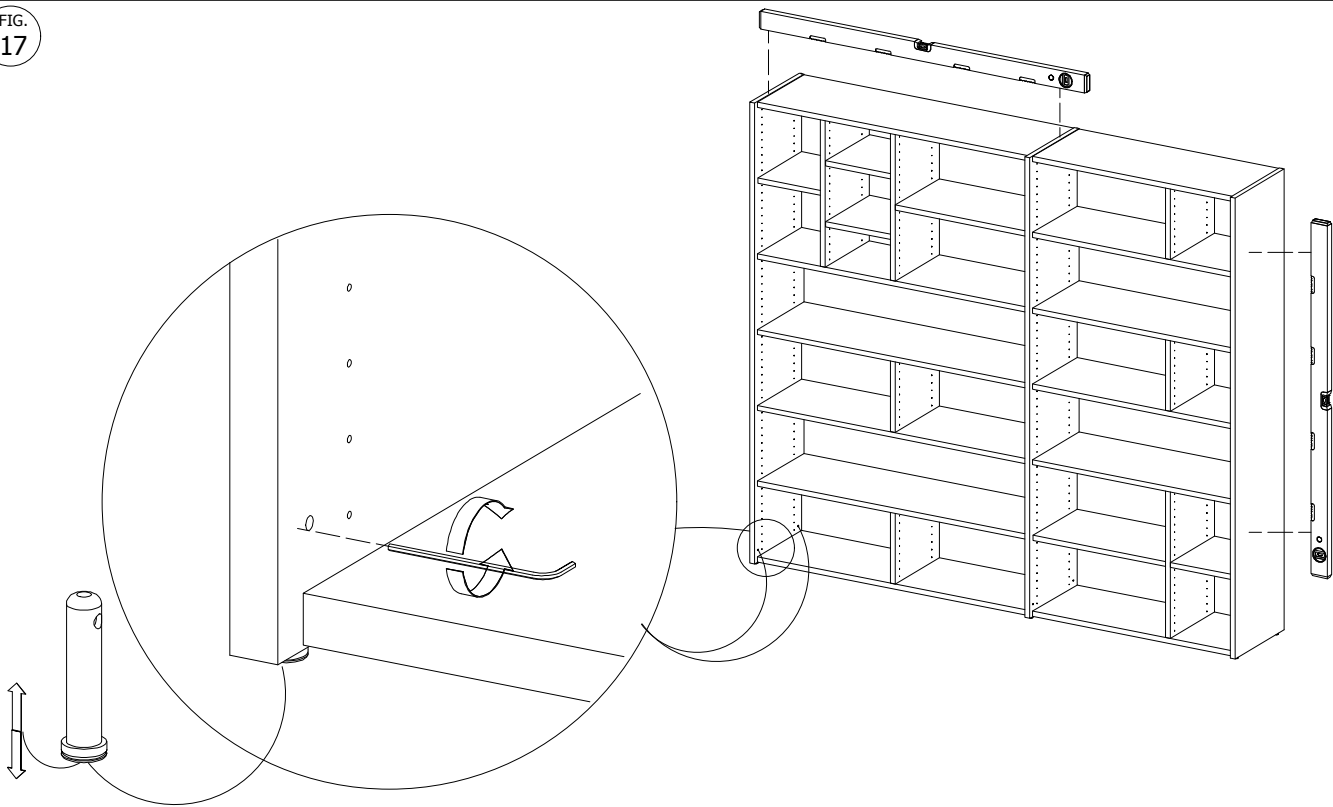
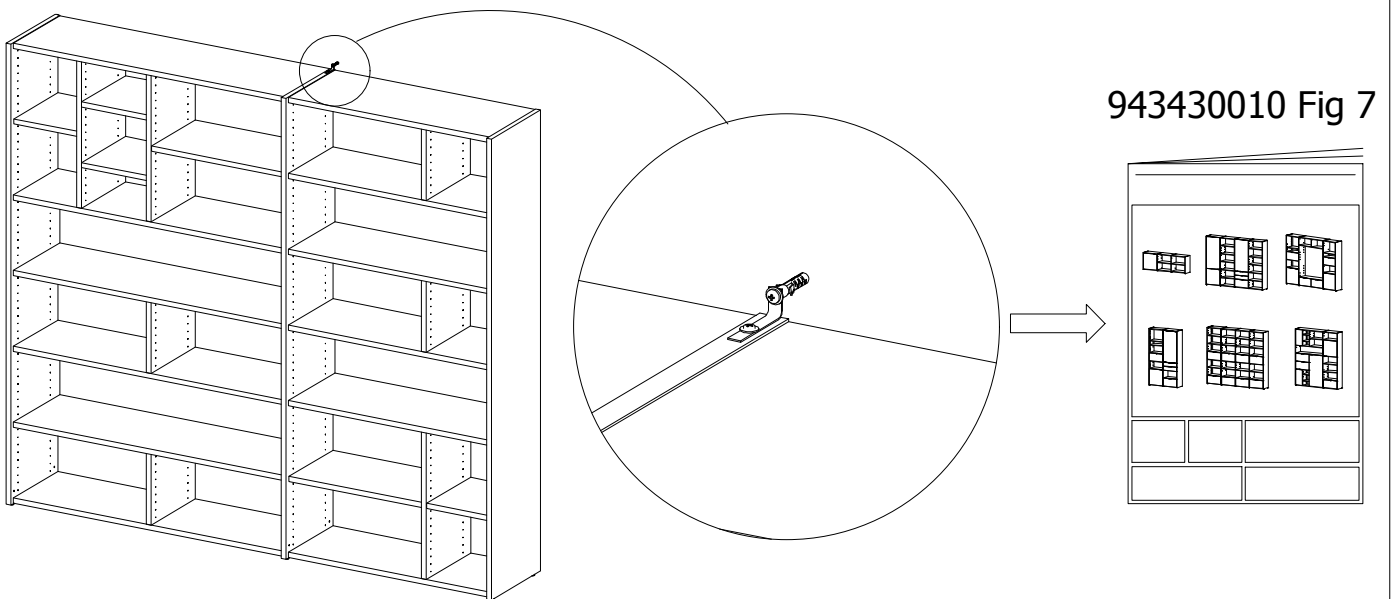


FIG. 18



DK Ved reklamation oplyses følgende:  
 D Im Reklamationsfall, bitte folgendes erläutern:  
 US In case of claims, please state the following:  
 F En cas de réclamation, veuillez indiquer:  
 NL Bij service volgene mededelen  
 E En caso de reclamación, indicar lo siguiente:  
 P No caso de reclamação, por favor indique o seguinte:  
 JP お気づきの点等ございましたら、以下の点をお知らせください。

Example!

