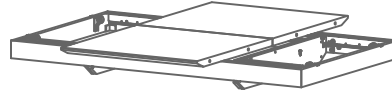
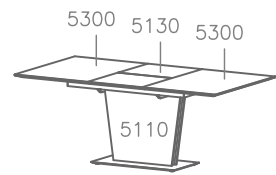
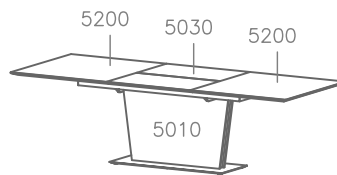
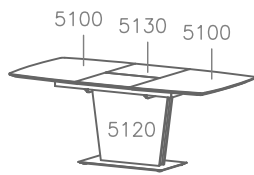
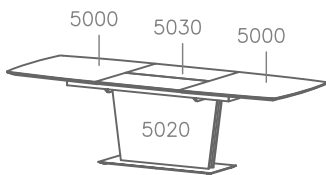


5030
 2,5x80x100 cm

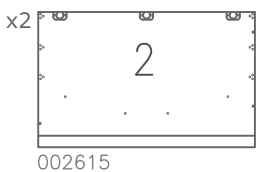


5130
 2,5x50x100 cm

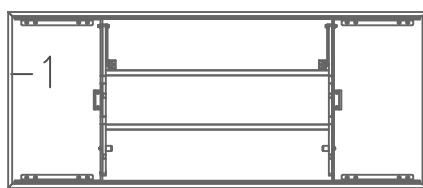


Example

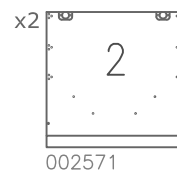
Occa 5030
 col. 1



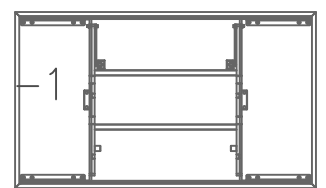
col. 2



Occa 5130
 col. 1




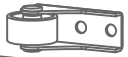



















col. 2



Beslag - Beschläge - Fittings - Set de montage

col. 1

- | | | | | | | | | | | |
|---|---|---|--|---|---|---|---|---|---|--|
| 
A X 4
970003110
D16,d8,5x1 | 
B X 4
970001226
M8x35mm | 
C X 1
1979300005
5mm | 
D X 4
970001098 | 
E X 8
970001294
M5x10mm | 
F X 1
1979300003
3mm | 
G X 3
970001278
26mm | 
H X 20
970000786
4,0x16mm | 
J X 2
970001300
D18 | 
K X 1
970001269 | 
L X 2
970001289
4,5x20mm |
| 
M X 2
970001290 | 
N X 4
970001214 | 
P X 30
970001279
4,2x13,5mm | 
Q X 6
970001263 | 
R X 2
970001083
femal | 
S X 2
970001084
femal | 
T X 8
970001086
femal | 
U X 8
970001059
male | 
V X 2
970001265 | 
W X 16
970001248
4,0x20mm | |

Værktøj - Werkzeuge - Tools - Outils

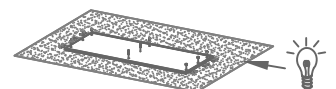
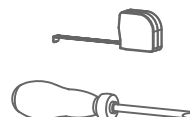
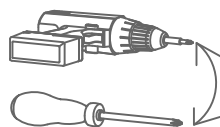


FIG. 1

- A X 4
D16,d8,5x1
- B X 4
M8x35mm
- C X 1
5mm
- D X 4
- E X 8
M5x10mm
- F X 1
3mm

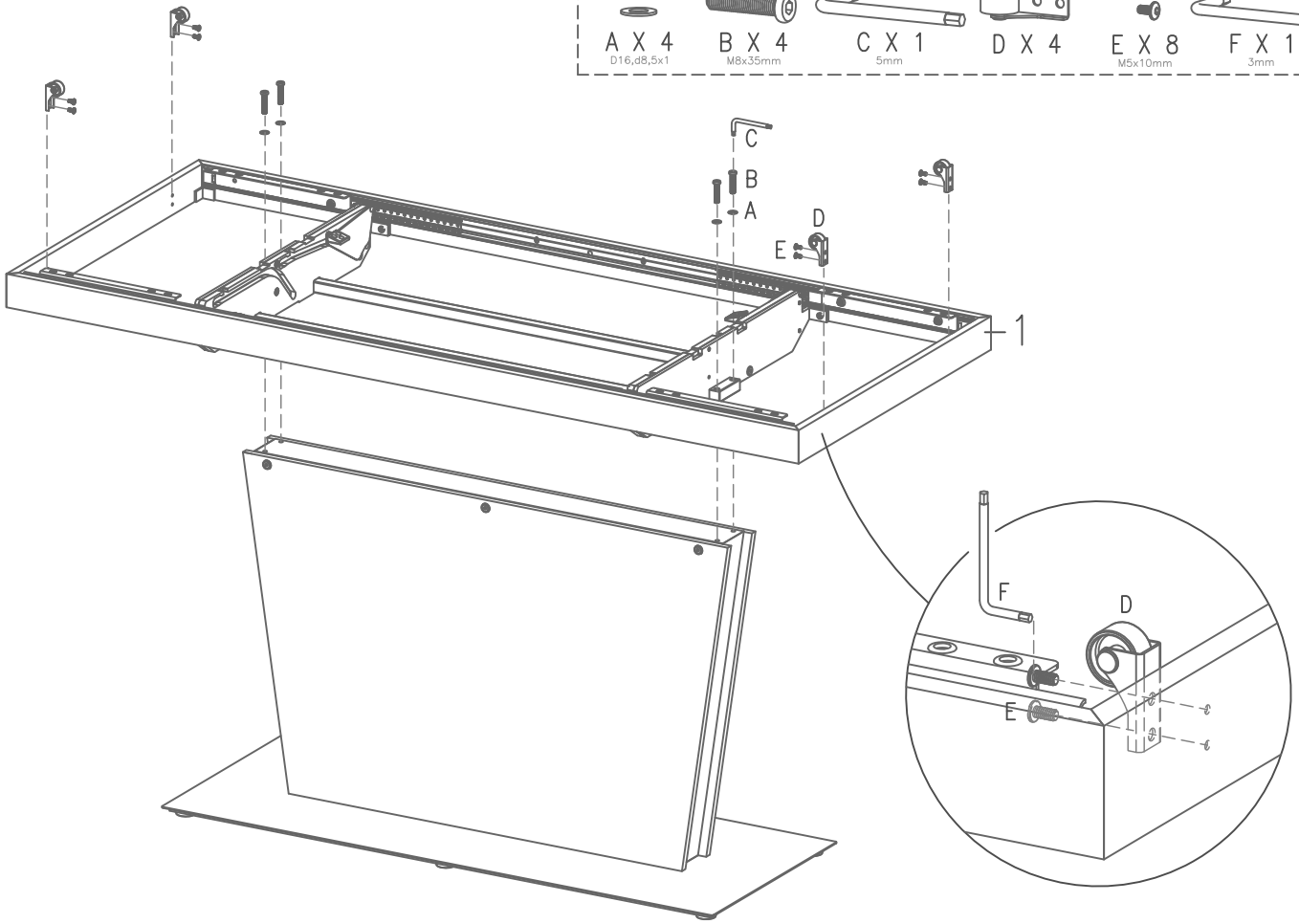


FIG. 2

- G X 3
26mm
- H X 12
4,0x16mm

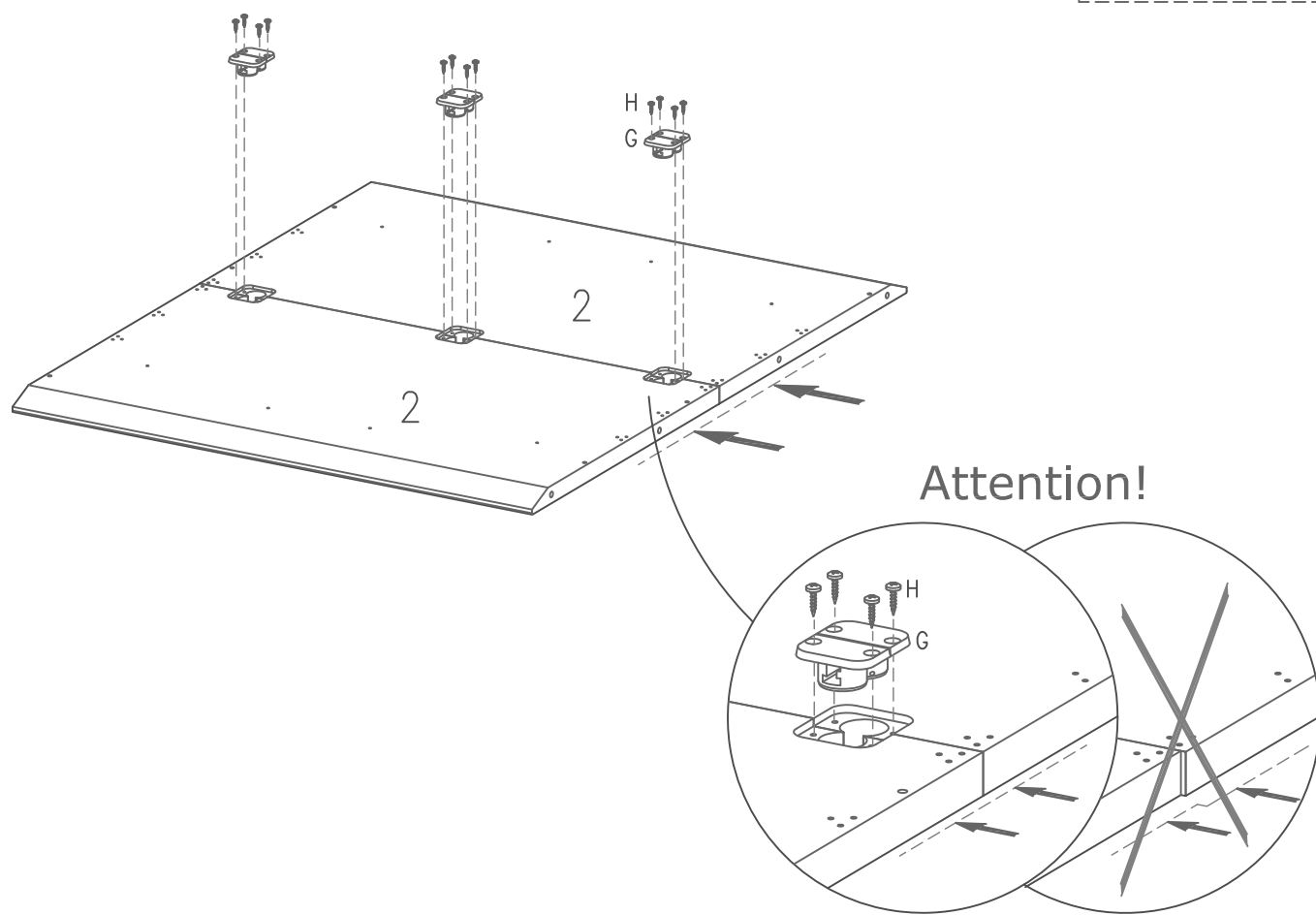


FIG. 3

- 
J X 2
Ø18
- 
K X 1
- 
L X 2
4,5x20mm
- 
M X 2
970001290
- 
N X 4
- 
P X 12
4,2x13,5mm

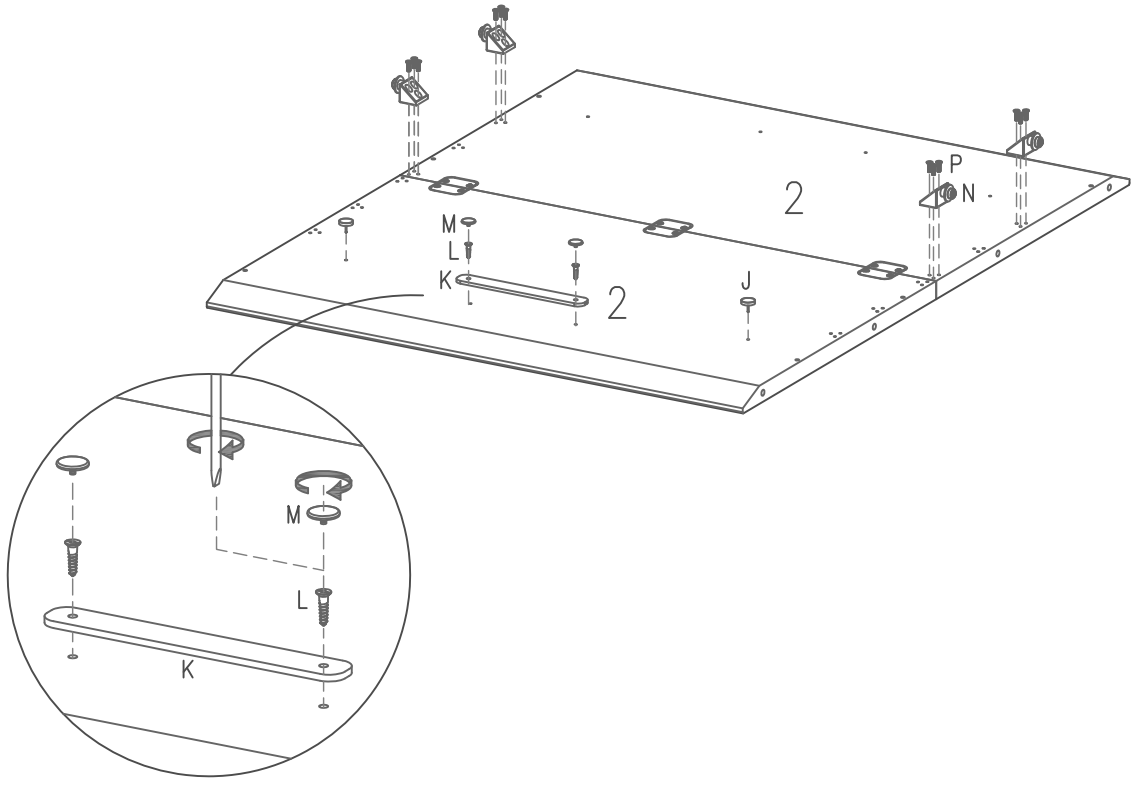


FIG. 4

Attention!

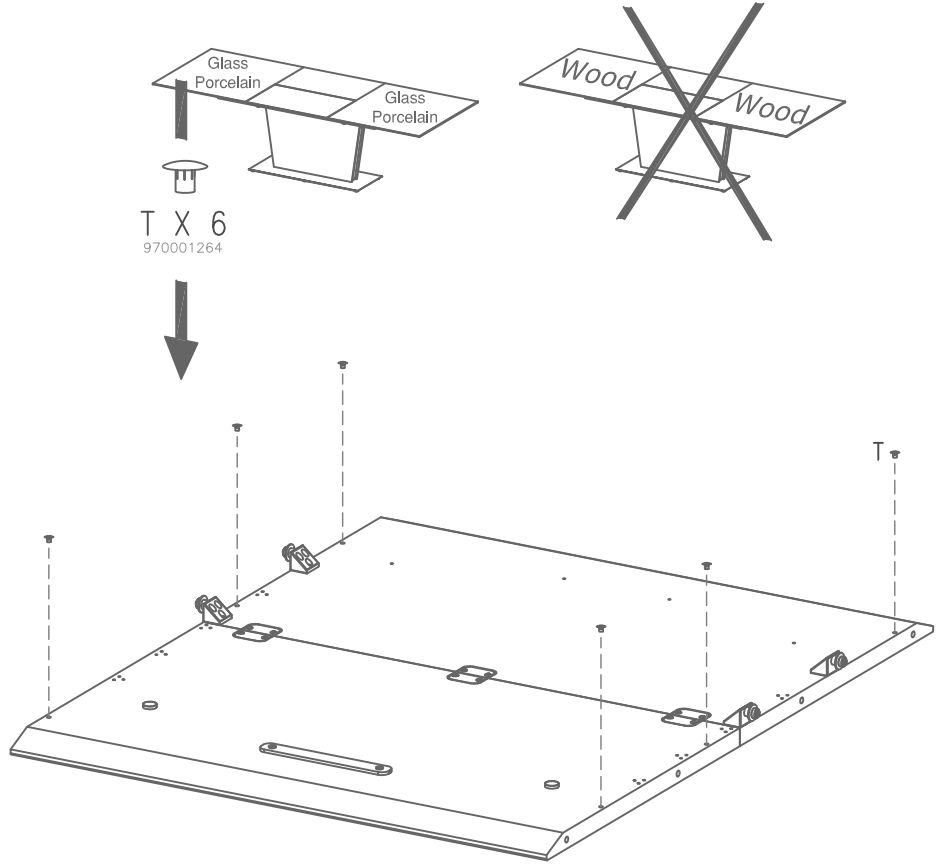


FIG. 5

Attention!

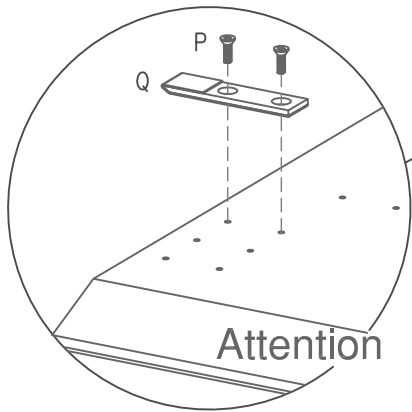
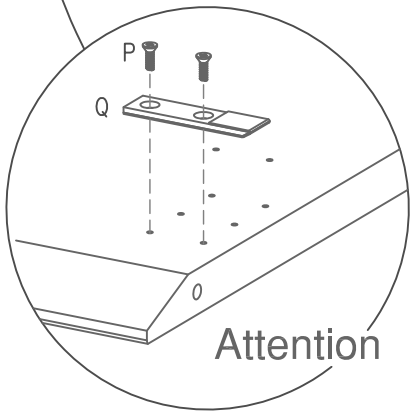
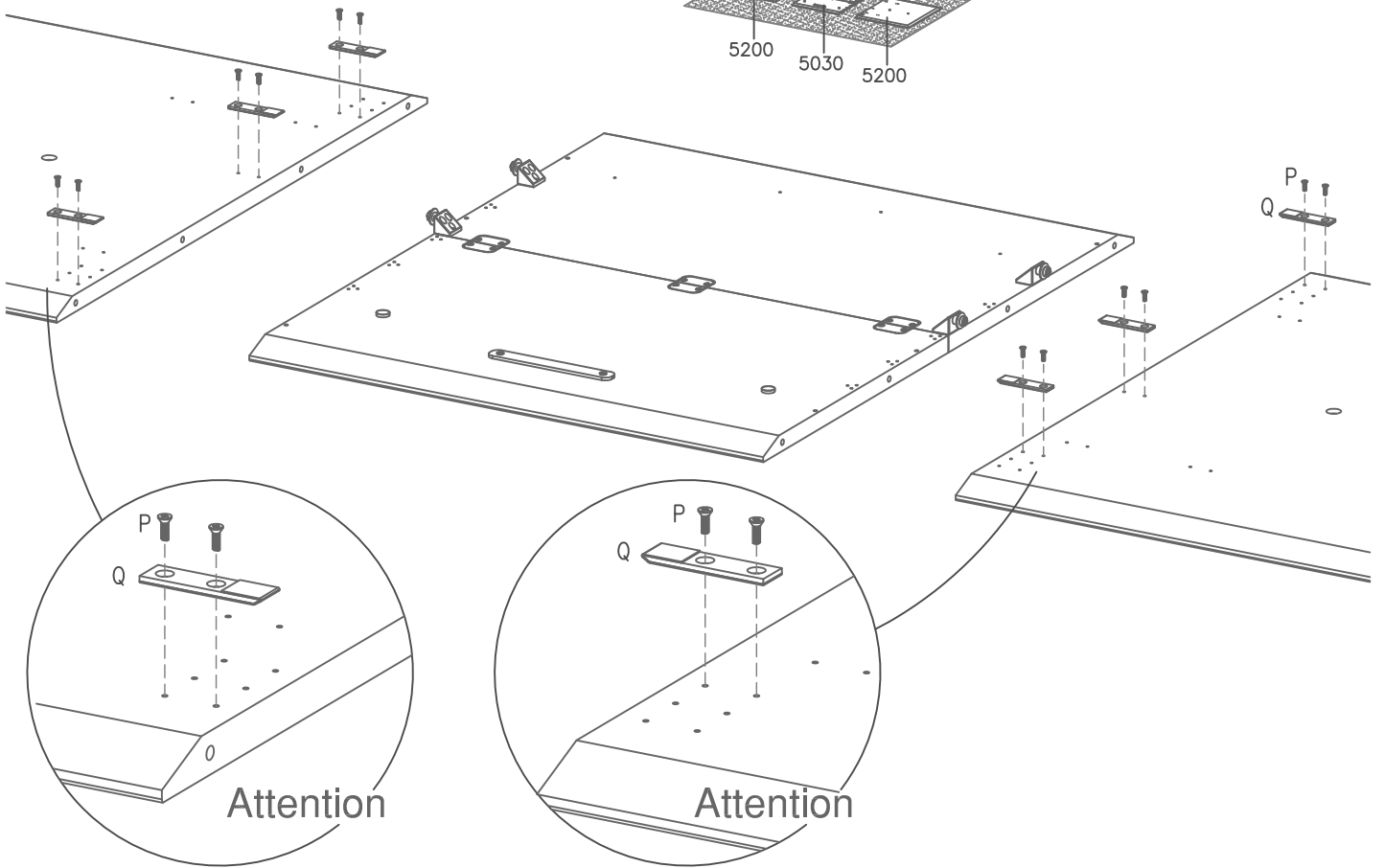
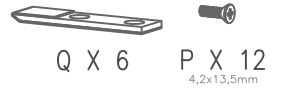
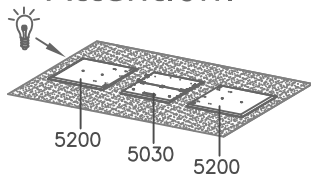
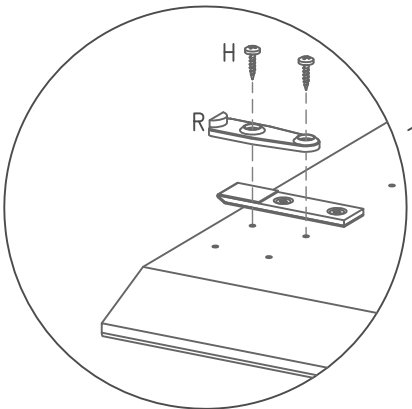
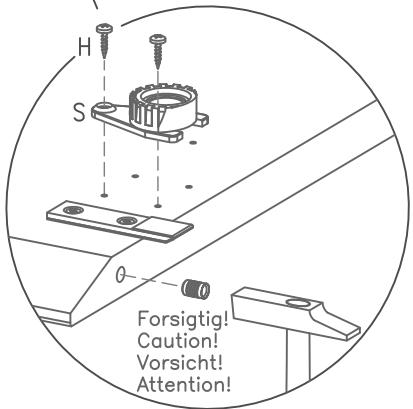
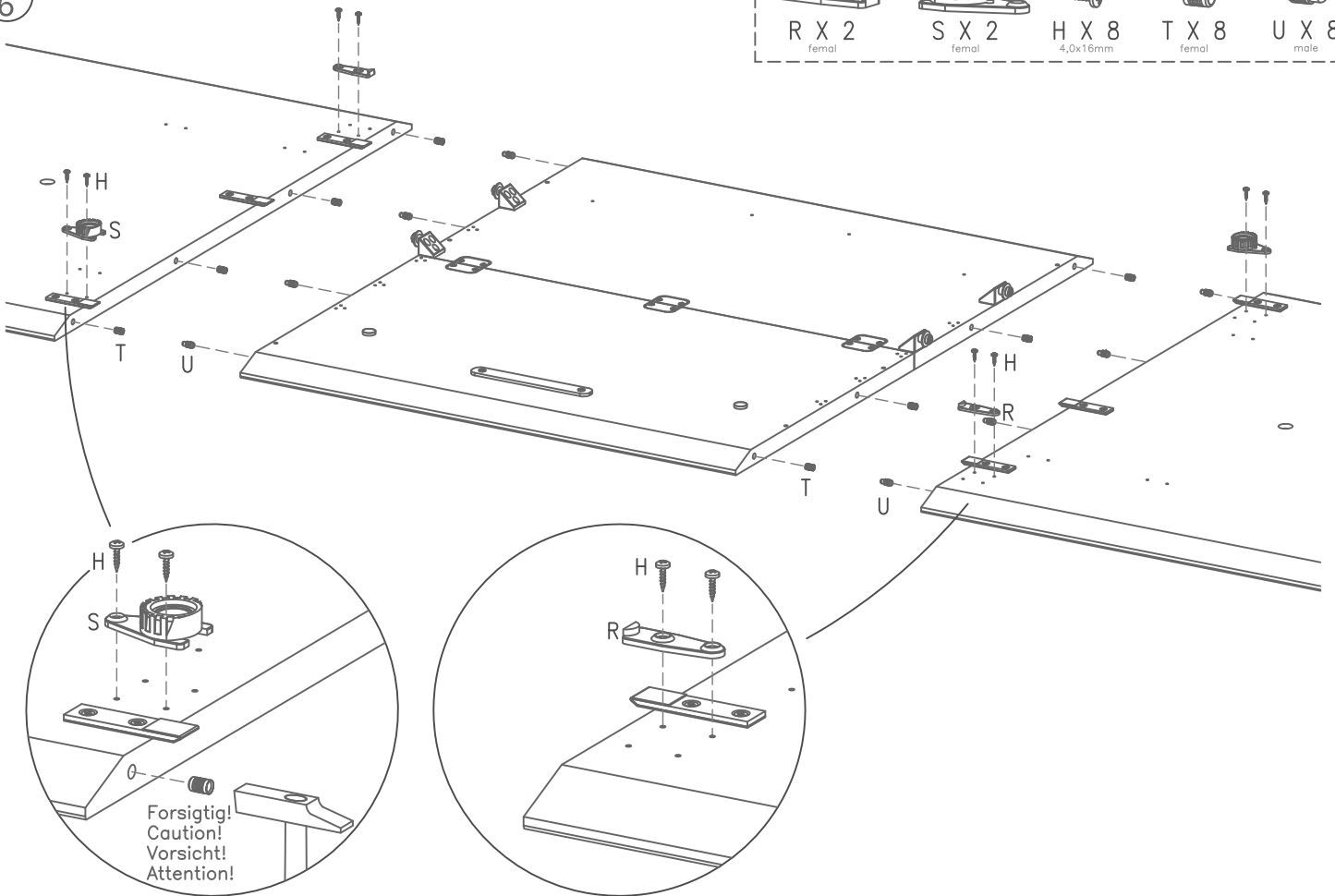


FIG. 6



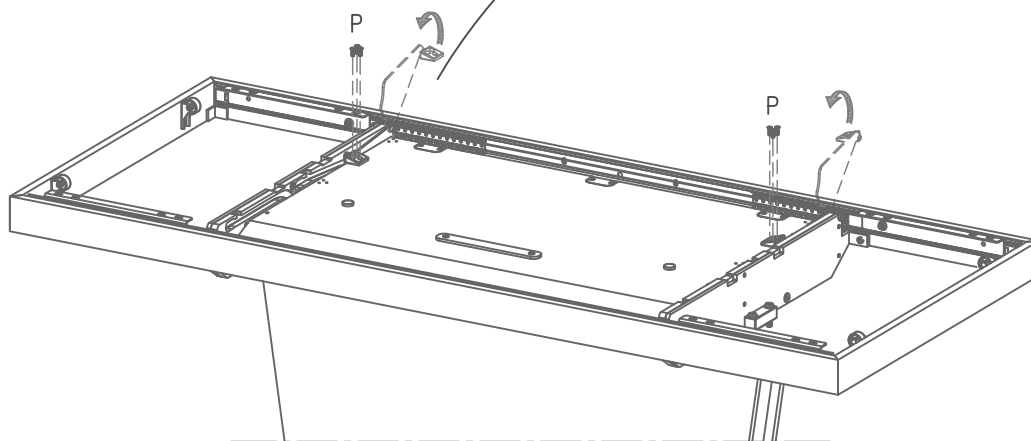
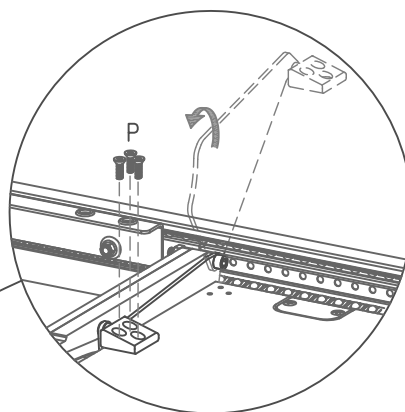
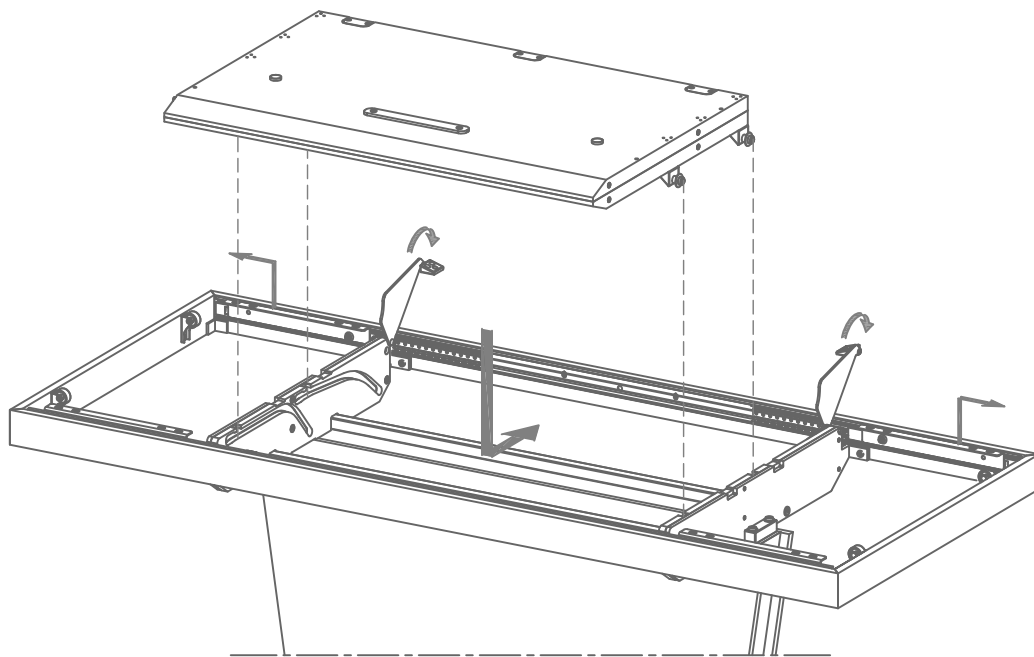


FIG.
8

W X 8
4,0x20mm

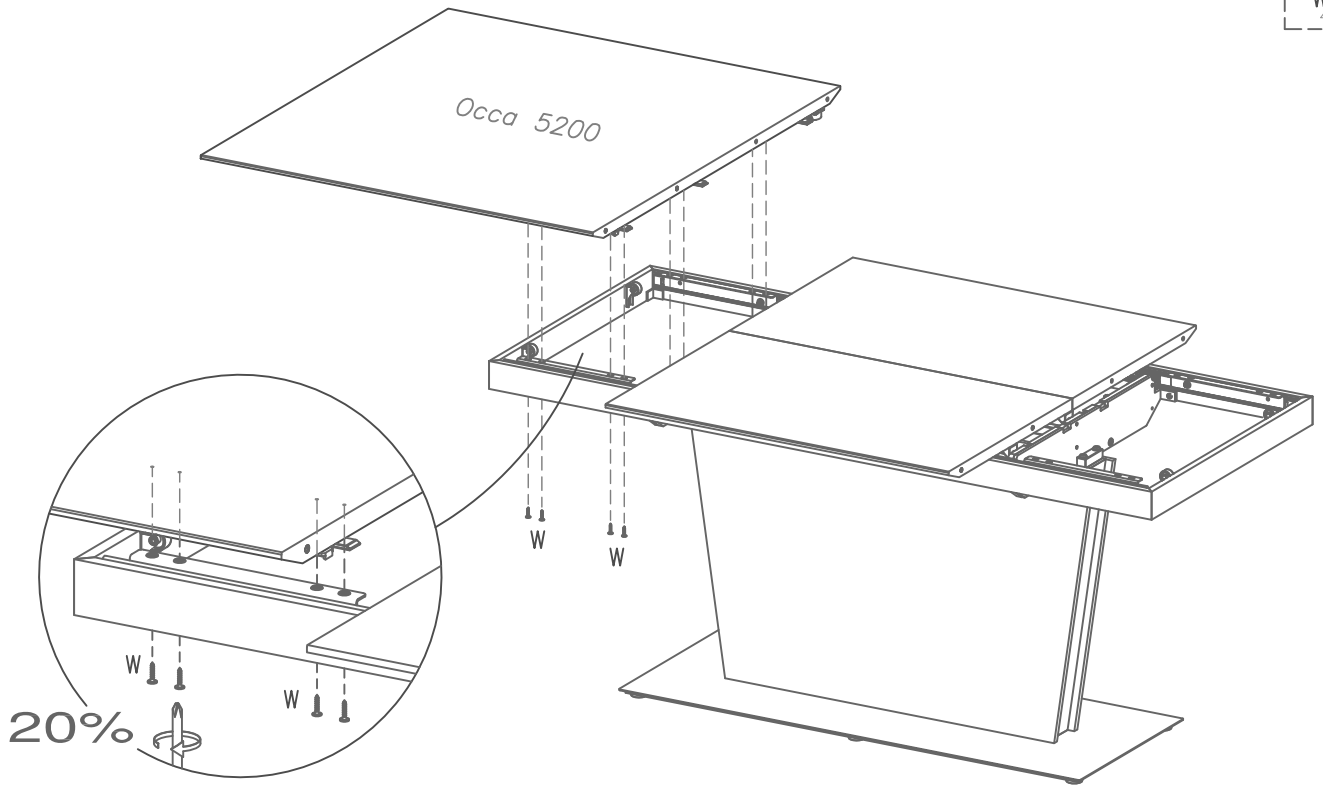
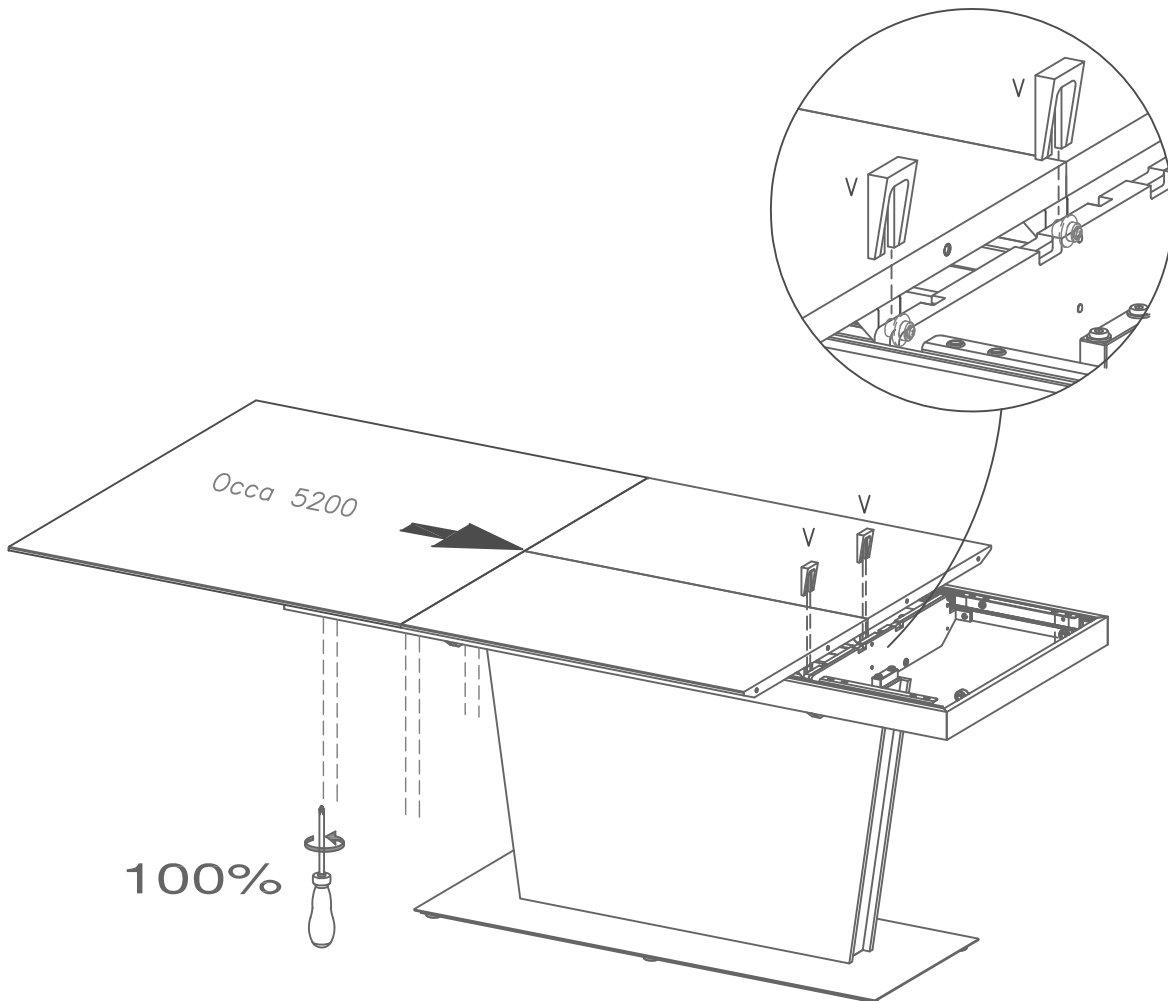
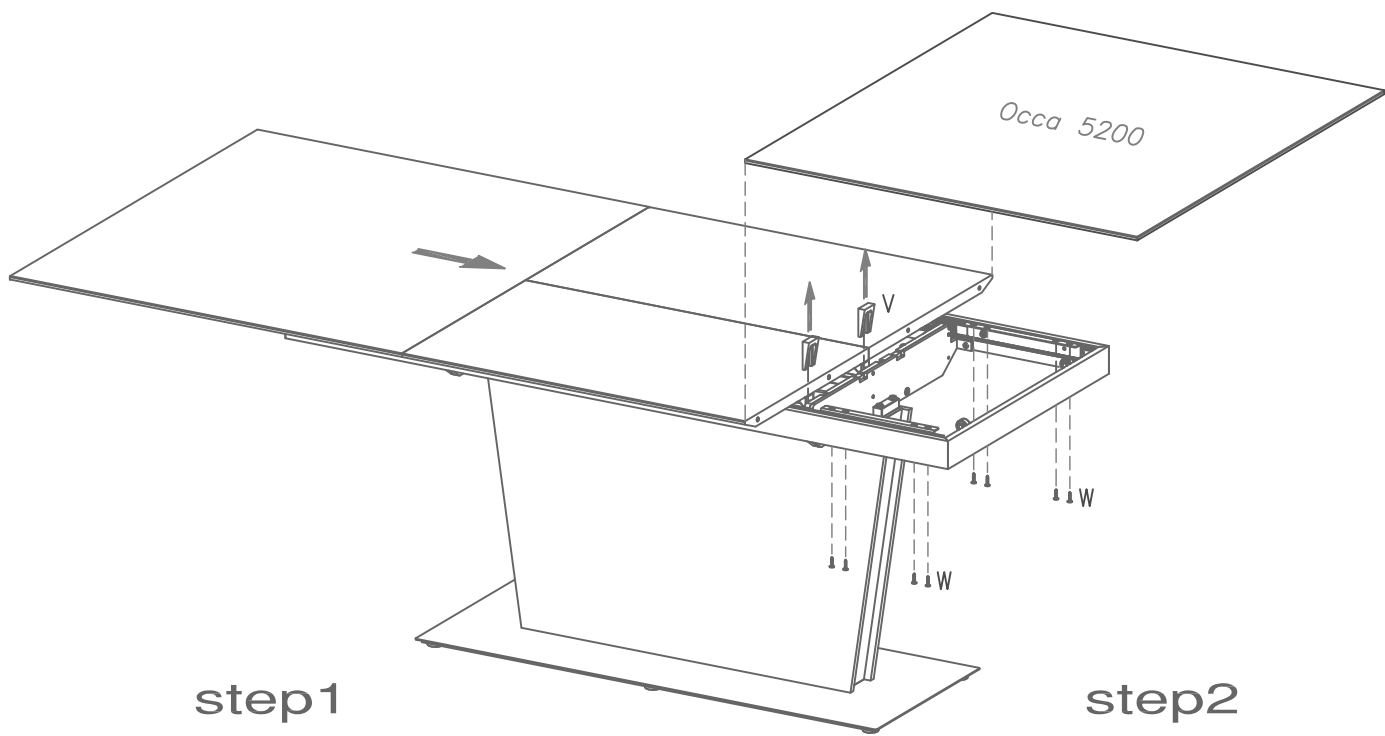


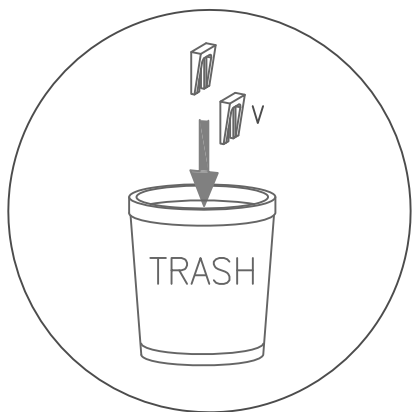
FIG.
9

V X 2
970001265





step1



step2

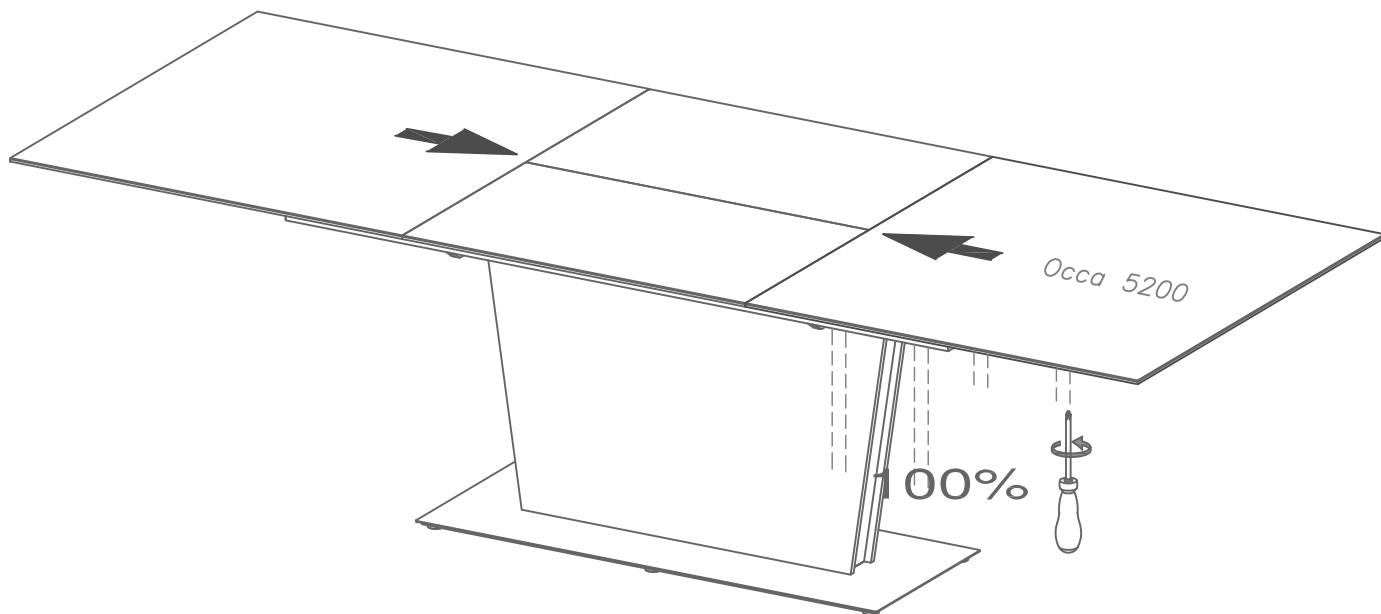
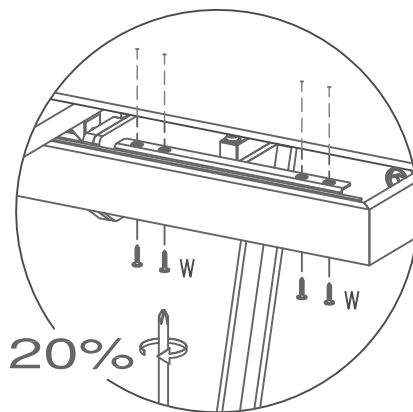


FIG. 12

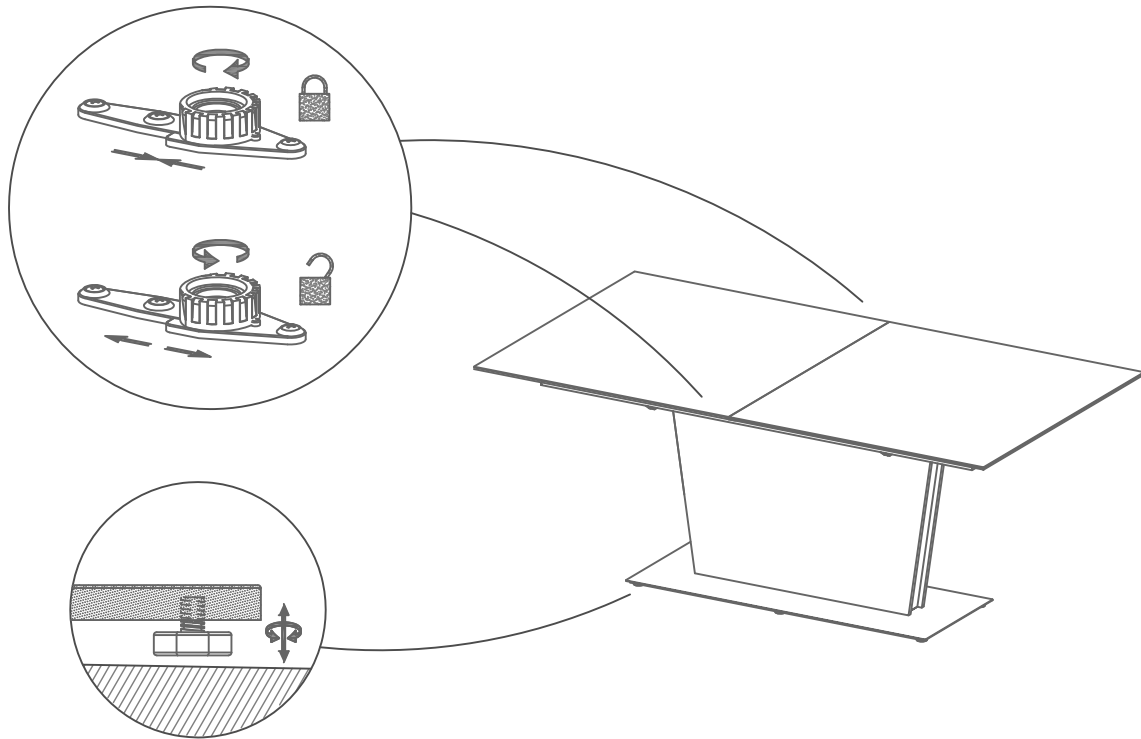
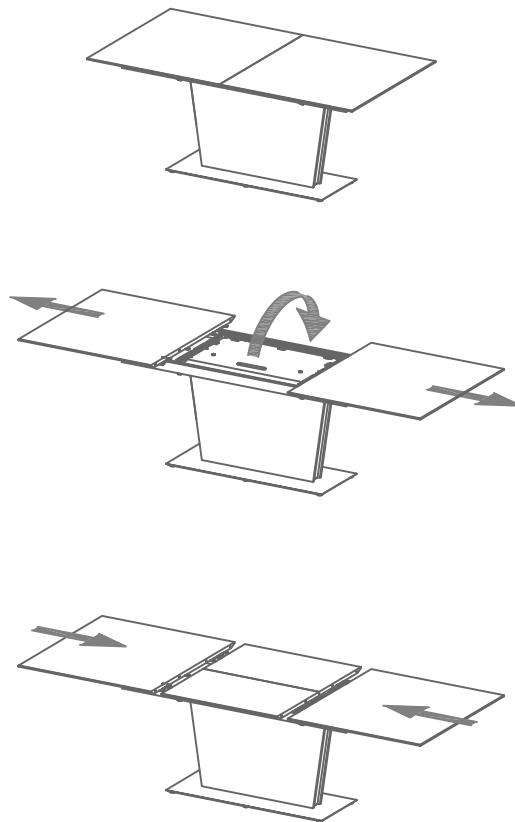
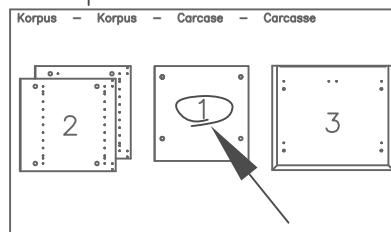


FIG. 13



- DK Ved reklamation oplyses følgende:
- D Im Reklamationsfall, bitte folgendes erläutern:
- US In case of claims, please state the following:
- F En cas de réclamation, veuillez indiquer:
- NL Bij service volgenez mededelen
- E En caso de reclamación, indicar lo siguiente:
- P No caso de reclamação, por favor indique o seguinte:
- JP お気づきの点等ございましたら、以下の点をお知らせください。

Example!



Beslag - Fittings - Beschläge - Set de Montage		
A X 8 1972000014	B X 12 1972000004	C X 4 1979110830
C X 2 1970120000	H X 2 1978504022	J X 8 1978204210