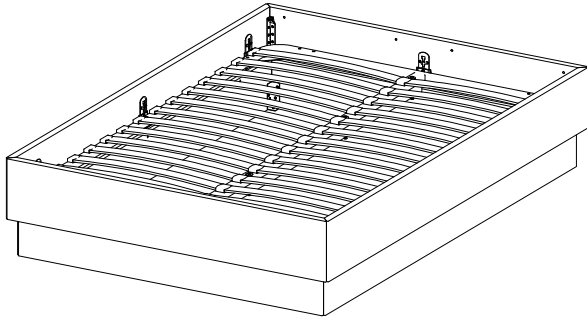


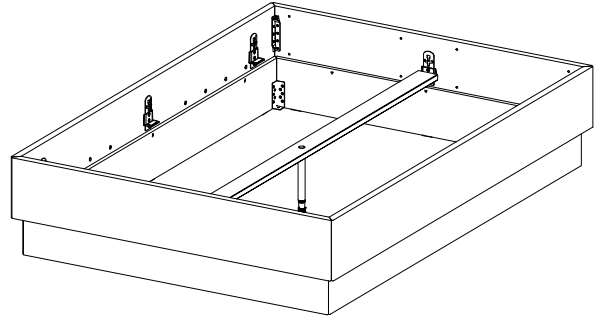
Bed Concept

Design by BoConcept

Samvejledning - Assembly Instructions - Montageanleitung - Instructions d'assemblage - Instrucciones de montaje



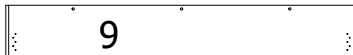
1410+0410+0210
1440+0440+0240
1450+0450+0250
1460+0460+0260
1480+0480+0280
1490+0490+0290



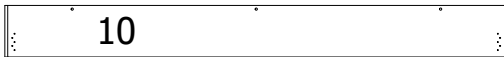
1410+0210
1440+0240+0100
1450+0250+0100
1460+0260+0100
1480+0280+0100
1490+0290+0100

No. 0210, 0240, 0250, 0260, 0280, 0290

no.0210 = 004925
no.0240 = 004926
no.0250 = 004927
no.0260 = 004928
no.0280 = 004929
no.0290 = 004930



x2

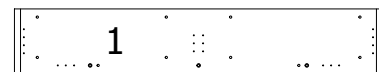


004924

x2

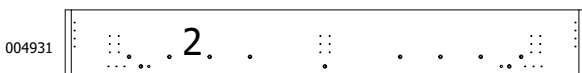
Col. 1 / no.0311, 0341, 0351, 0361, 0381, 0391

no.1311 = 004932
no.1341 = 004933
no.1351 = 004934
no.1361 = 004935
no.1381 = 004936
no.1391 = 004937



x2

Col. 2 / no.0312



004931

x2

Col. 3 / no.1413



A x 4
970001353
Left



E x 8
970001486



Z x 12
970001113
M6x10,5



B x 4
970001352
Right



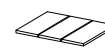
F x 8
970001490



AA x 12
970001270
M6x30mm



C x 36
1978003520
3,5x20mm



G x 2
1979000100



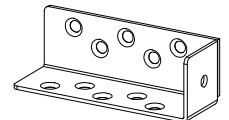
BB x 12
970001414



D x 88
1978004516
4,5x16mm



W x 8
970001437
Ø10x30mm



CC x 4
970001604

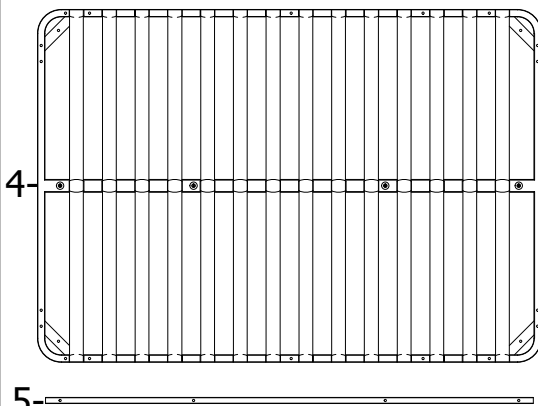


DD x 1
1979300004
4mm



EE x 1
970000807
6mm

No. 0410, 0440, 0450, 0460, 0480, 0490



H x 4
970000882
M8x90mm



L x 4
970000884
D20x1,4mm



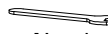
J x 4
970000885
D28x2mm



M x 1
1979300005
5mm

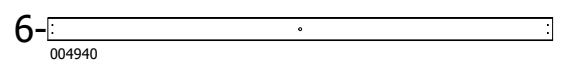


K x 4
970000883
M8



N x 1
979900048
12mm

No. 0100



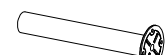
004940



P x 1
1974600010



Q x 1
1974600011



R x 1
1974600001
198mm



S x 1
1974600012
M10x45mm

-OR-



T x 4
1978003516
3,5x15mm

FIG. 1

- A x 8 Left
- B x 8 Right
- C x 32 3,5x20mm
- D x 48 4,5x16mm
- E x 8
- W x 8 Ø10x30mm
- Z x 12 M6x10,5
- AA x 12 M6x30mm
- BB x 12
- DD 4mm
- EE 6mm

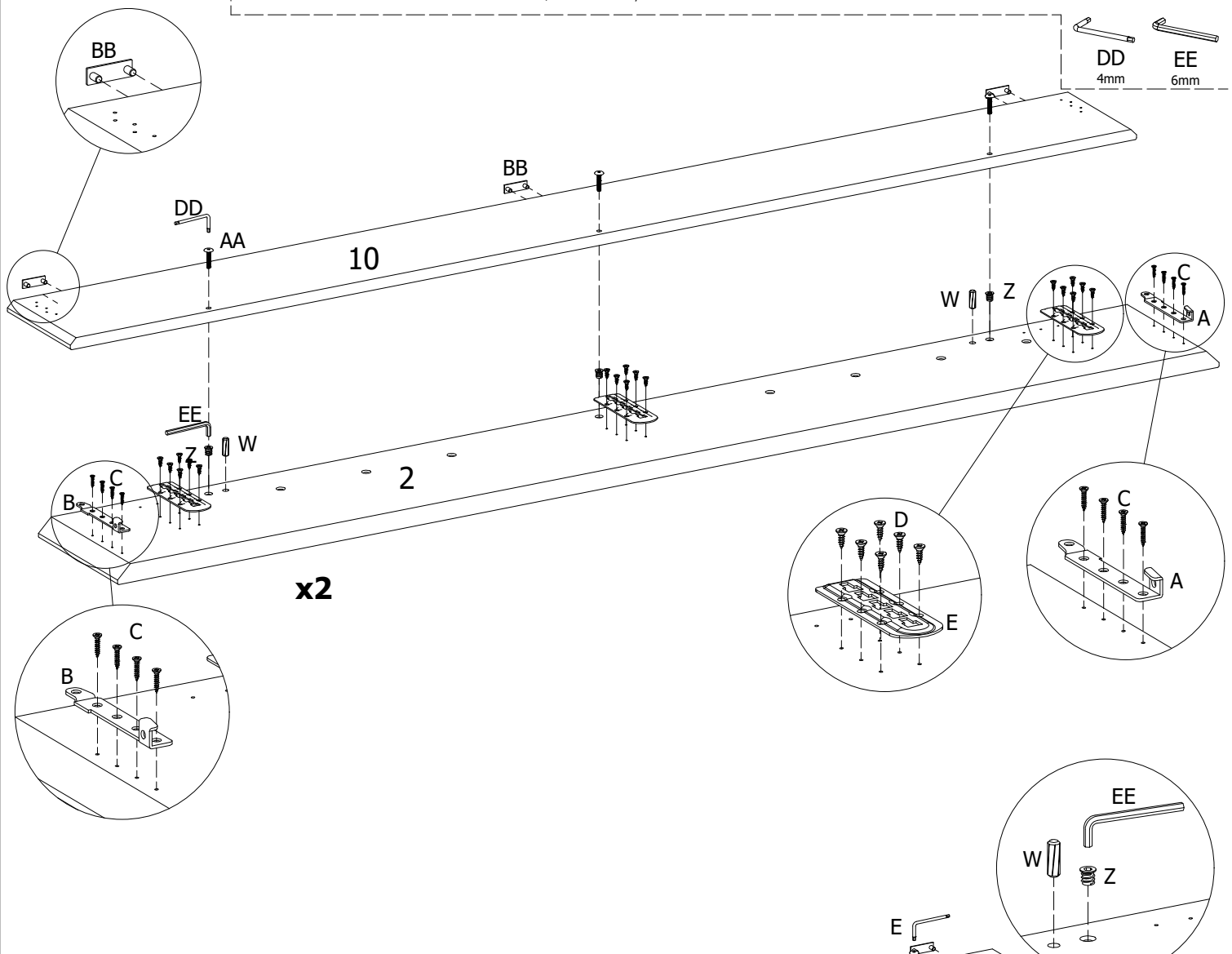


FIG. 2

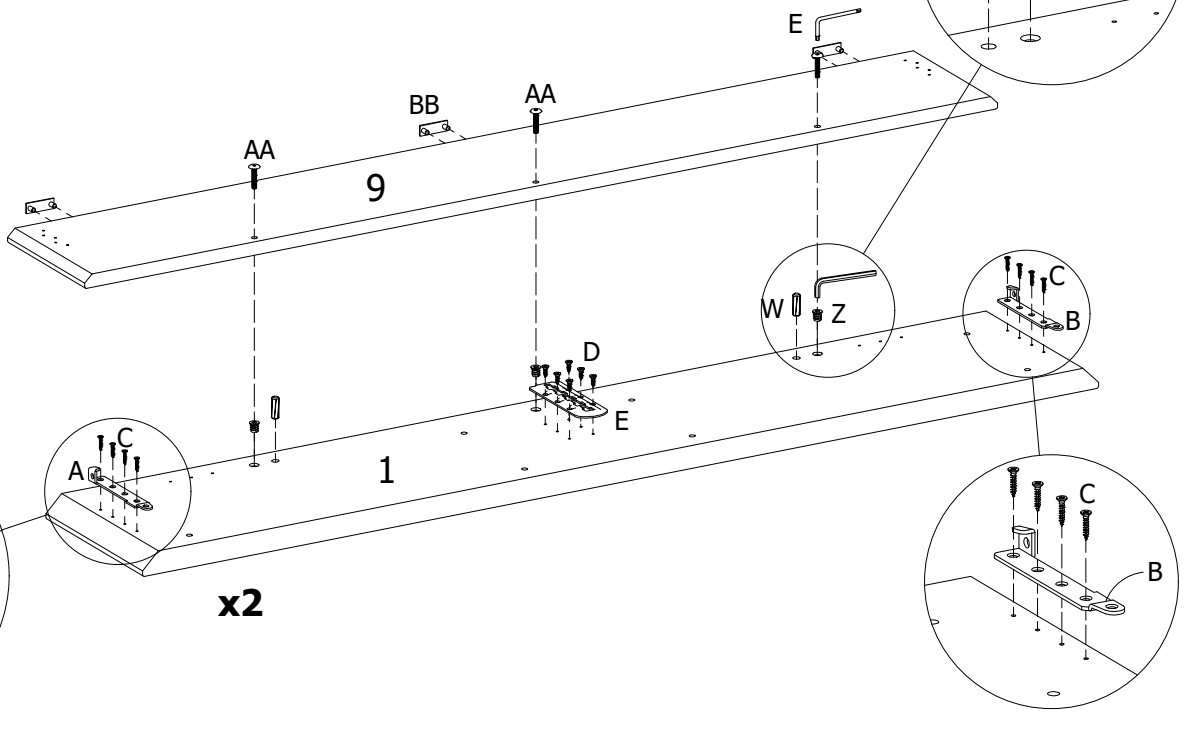


FIG. 3

CC x 4 D x 10
4,5x16mm

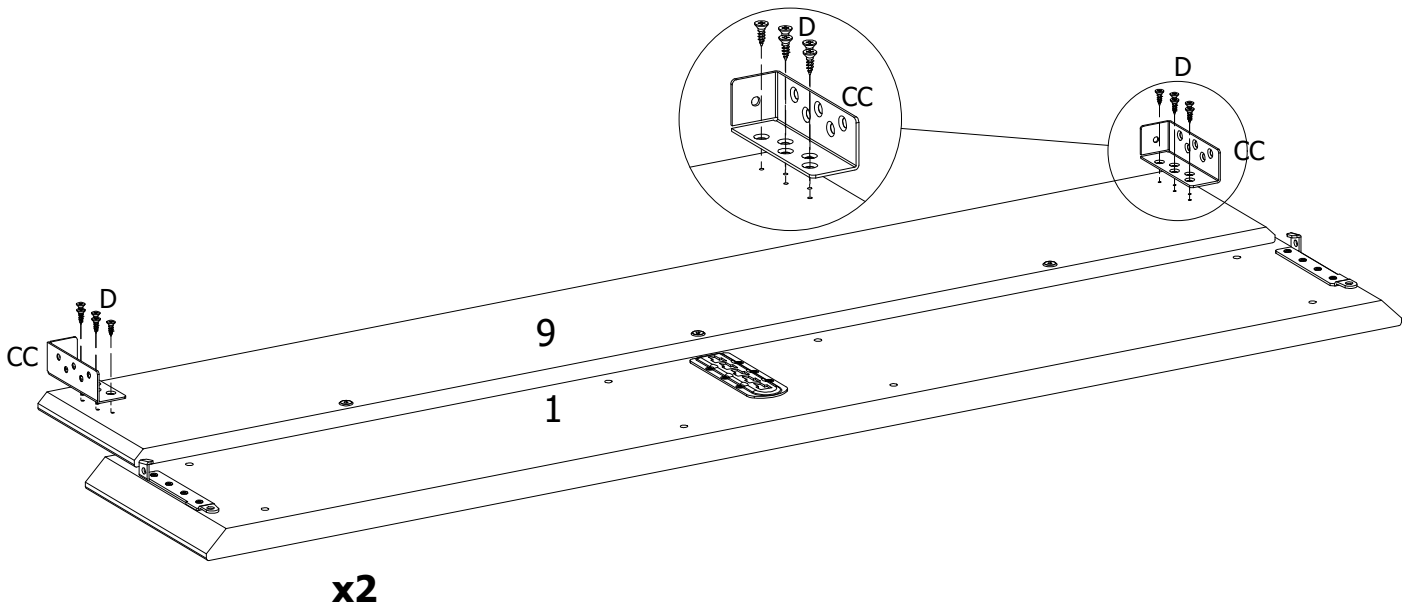


FIG. 4

C x 2 D x 10
3,5x20mm 4,5x20mm

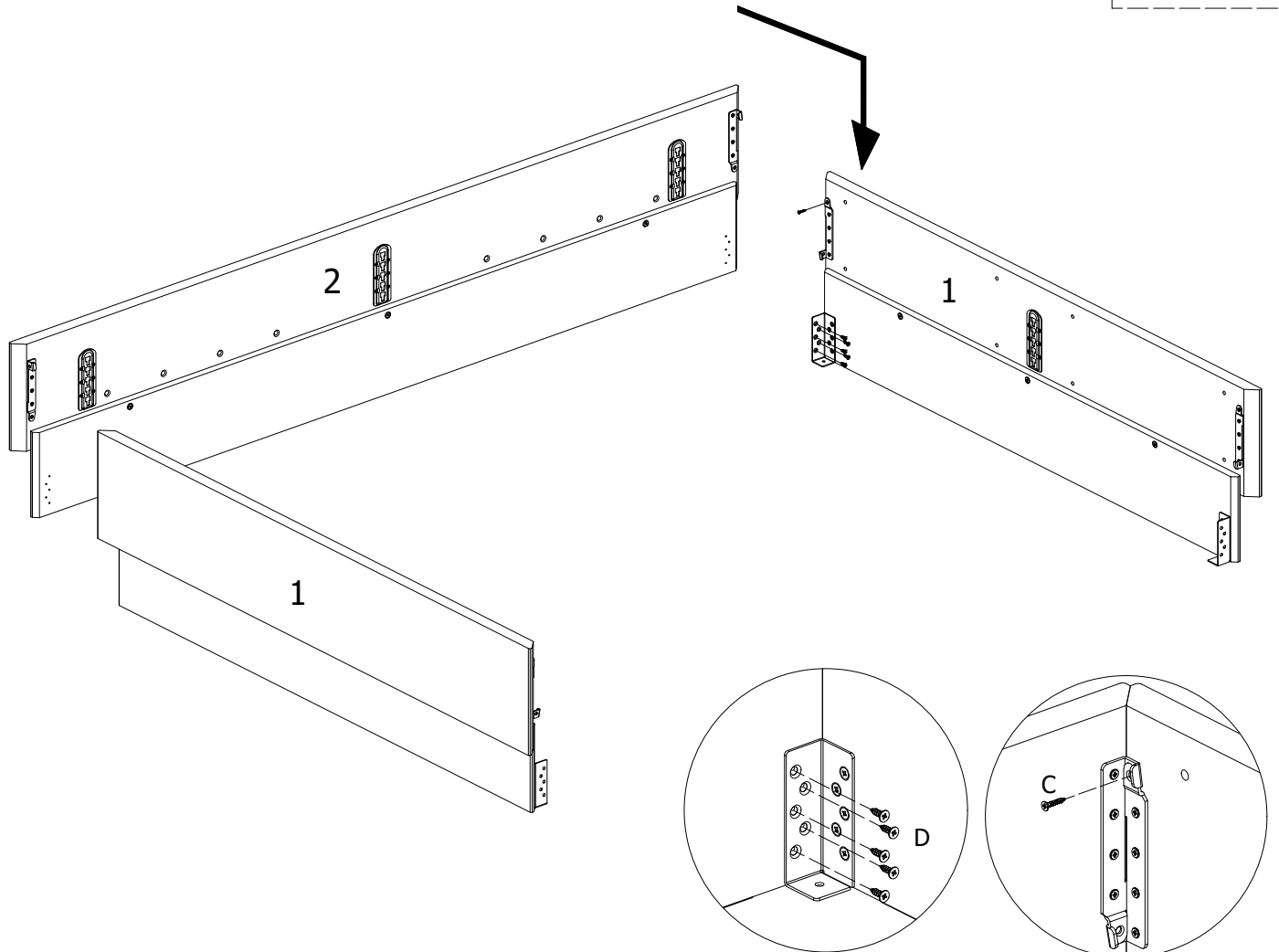
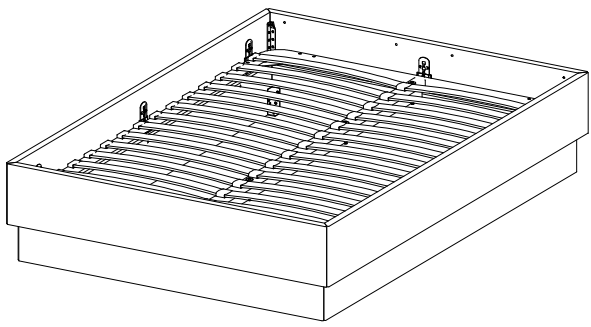
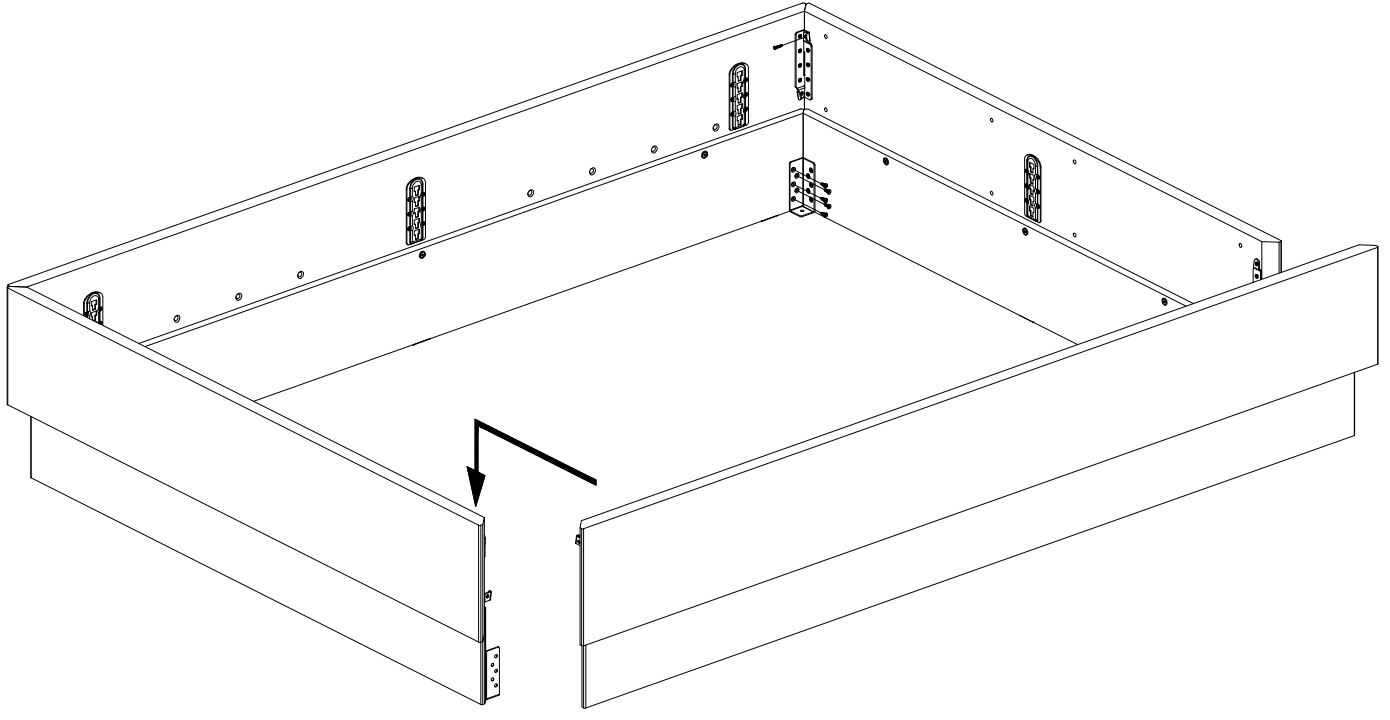


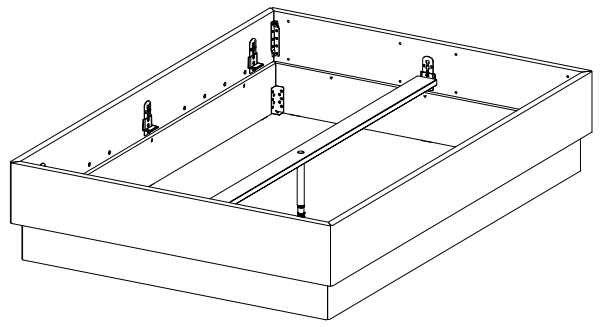
FIG.
5

C x 2
3,5x20mm

D x 10
4,5x16mm



-OR-



→ FIG. 6 FIG. 7

→ FIG. 8 FIG. 9

FIG. 6

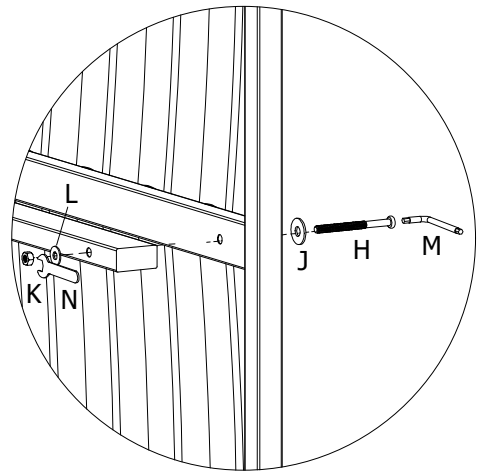
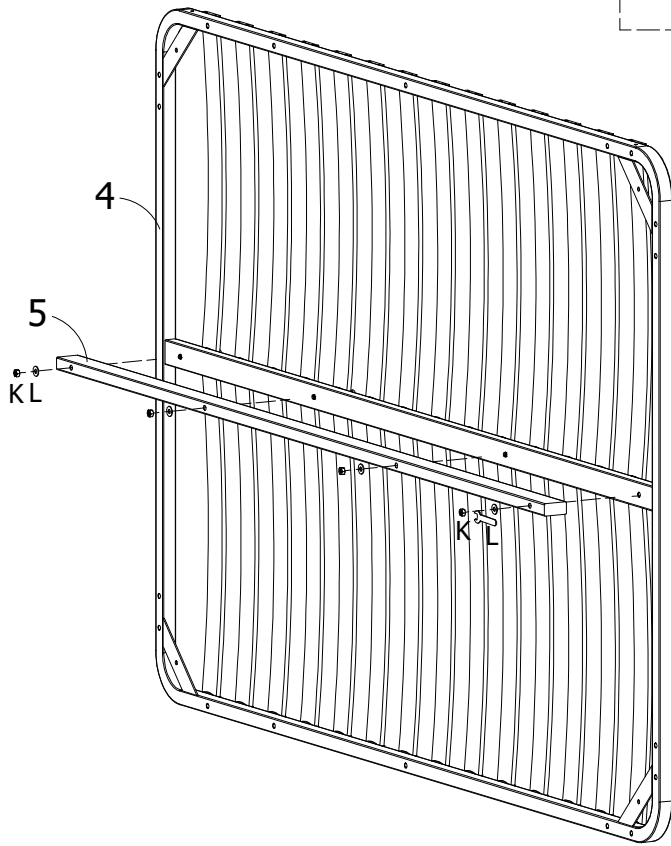
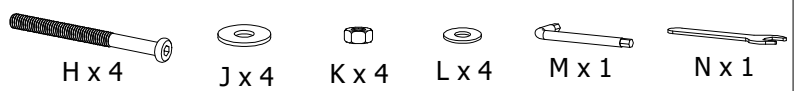


FIG. 7

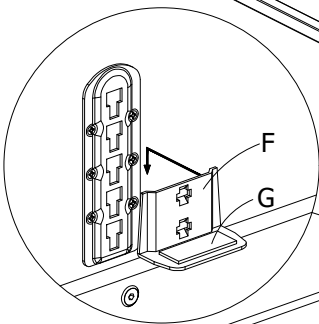
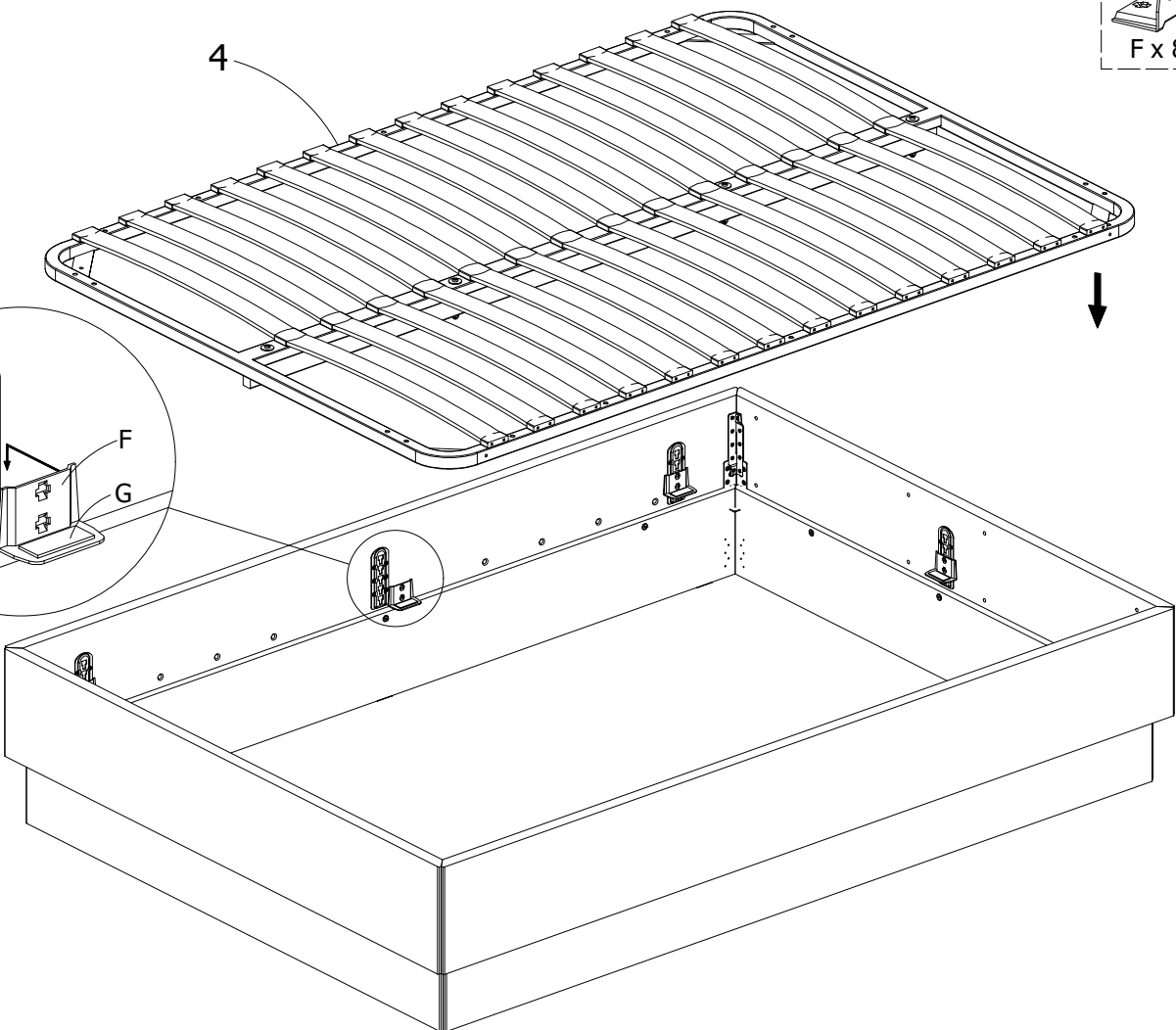
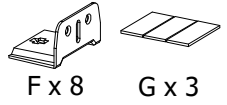


FIG. 8

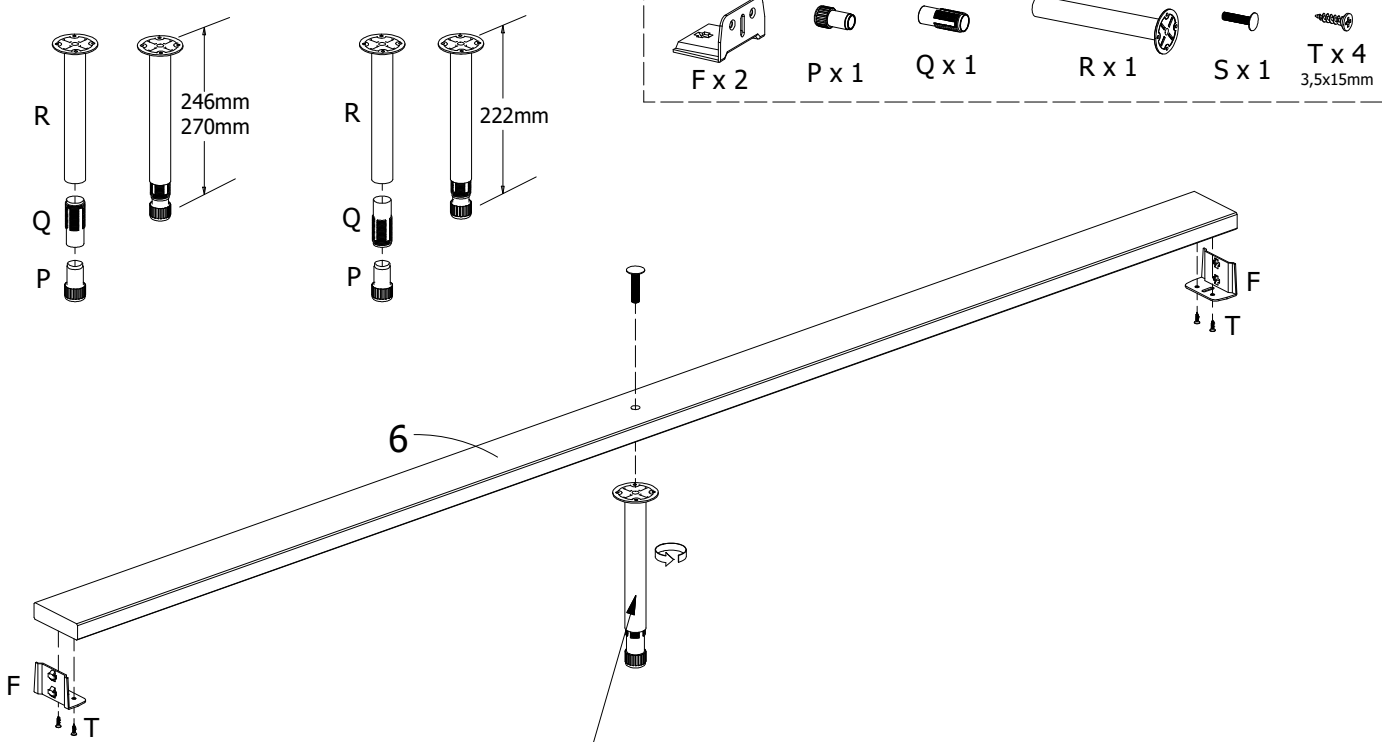
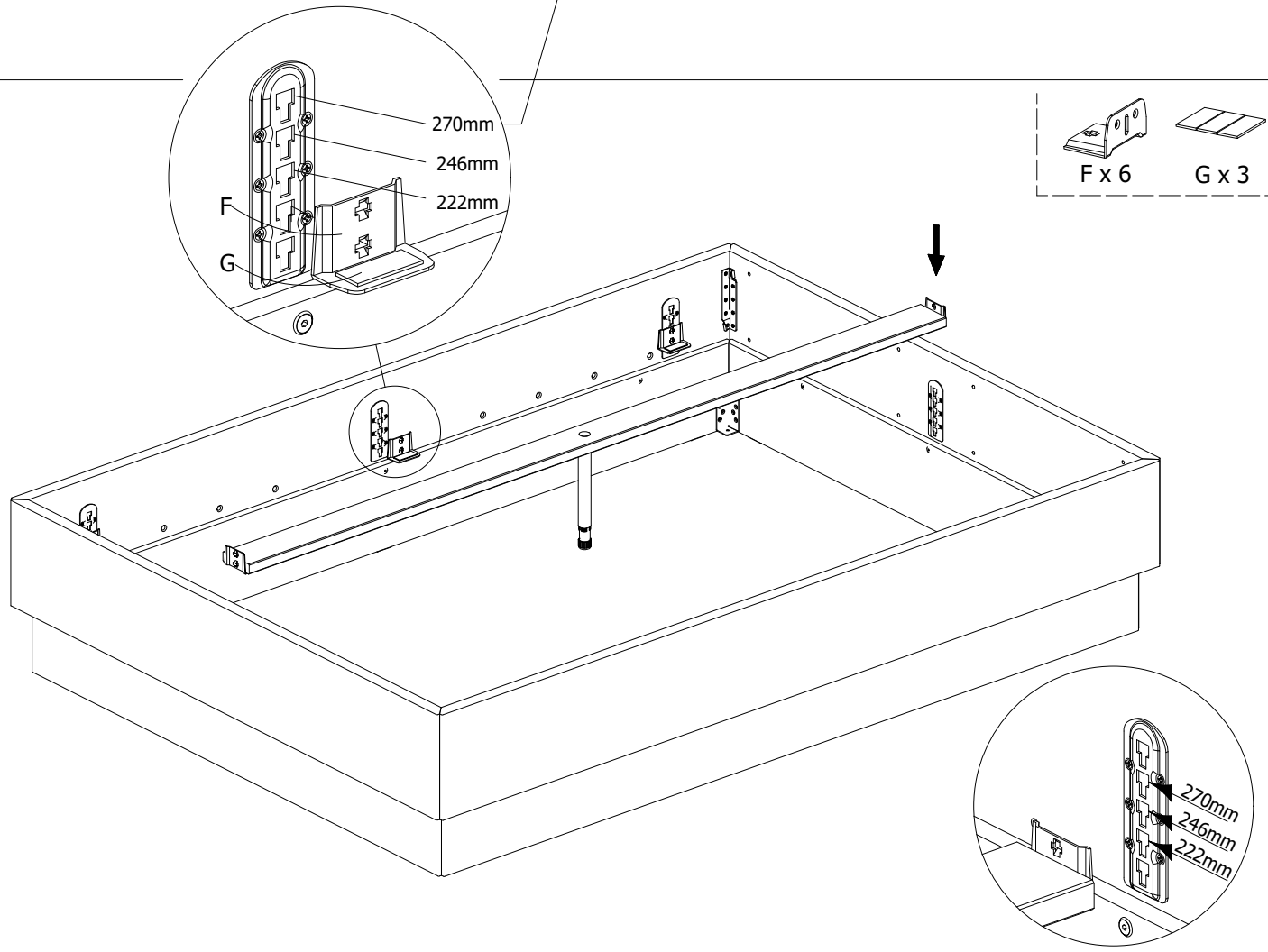


FIG. 9



DK Ved reklamation oplyses følgende:
D Im Reklamationsfall, bitte folgendes erläutern:
US In case of claims, please state the following:
F En cas de réclamation, veuillez indiquer:
NL Bij service volgense mededelen
E En caso de reclamación, indicar lo siguiente:
P No caso de reclamação, por favor indique o seguinte:
JP お気づきの点等ございましたら、以下の点をお知らせください。

Example!

