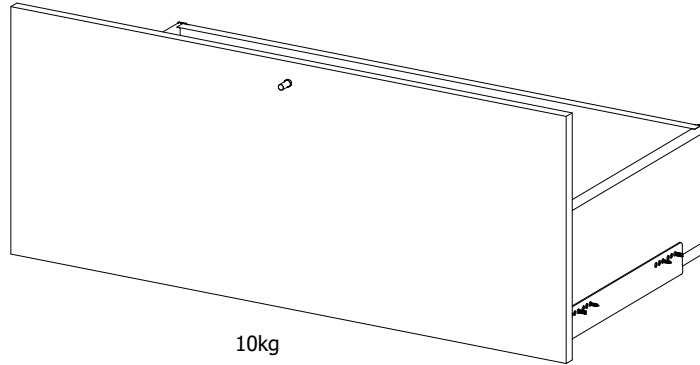


# Atlanta

Design by BoConcept

Samvejledning - Assembly Instructions - Montageanleitung - Instructions d'assemblage - Instrucciones de montaje



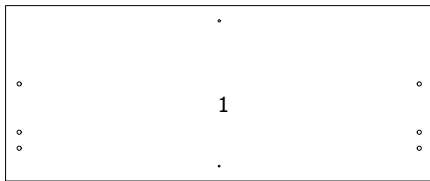
10kg

**382-0180**

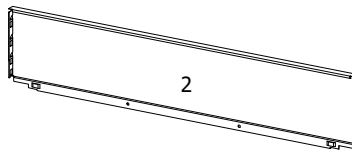
34,8x84,8x43,6 cm

382-0180

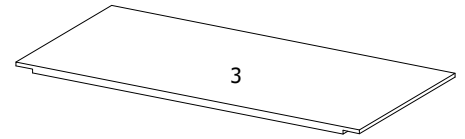
Korpus - Korpus - Carcase - Carcasse



006190

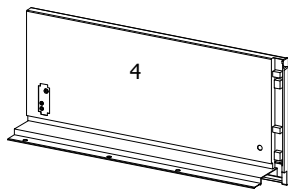


006441

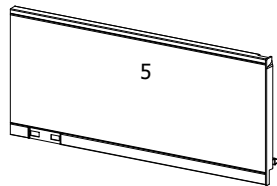


006331

Fittingbox: 930001063

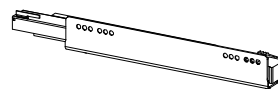


006035

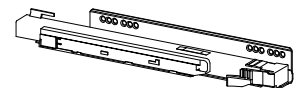


006036

Fittingbox: 930001060



**Ax1**  
970001834



**Bx1**  
970001835

Fittingbox: 930001101 black  
930001122 white

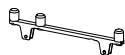
Beslag - Beschläge - Fittings - Set de montage



**Cx4**  
970001702  
4,2x13,5



**Dx12**  
970001718  
3,5x15



**Ex2**  
970001836



**Fx2**  
970001837



**Gx1**  
970001939



**Hx2**  
970000657  
3,5x12



**Ix1**  
970001899



**Jx2**  
970001838



**Kx1**  
970001891 black  
970001938 white



**Lx1**  
970001681  
M4x22



**Mx2**  
970001686

Værktøj - Werkzeuge - Tools - Outils



FIG. 1

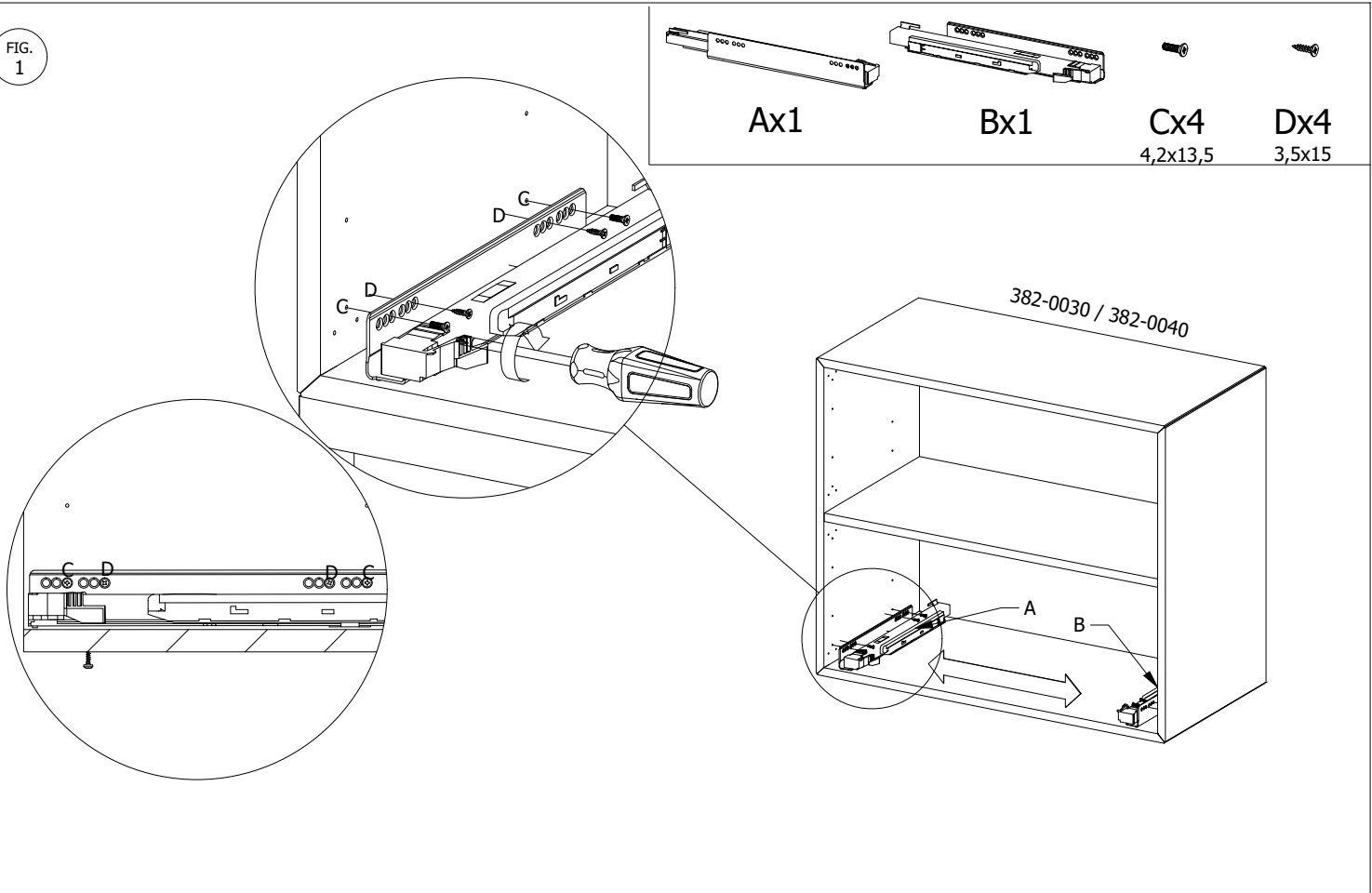


FIG. 2

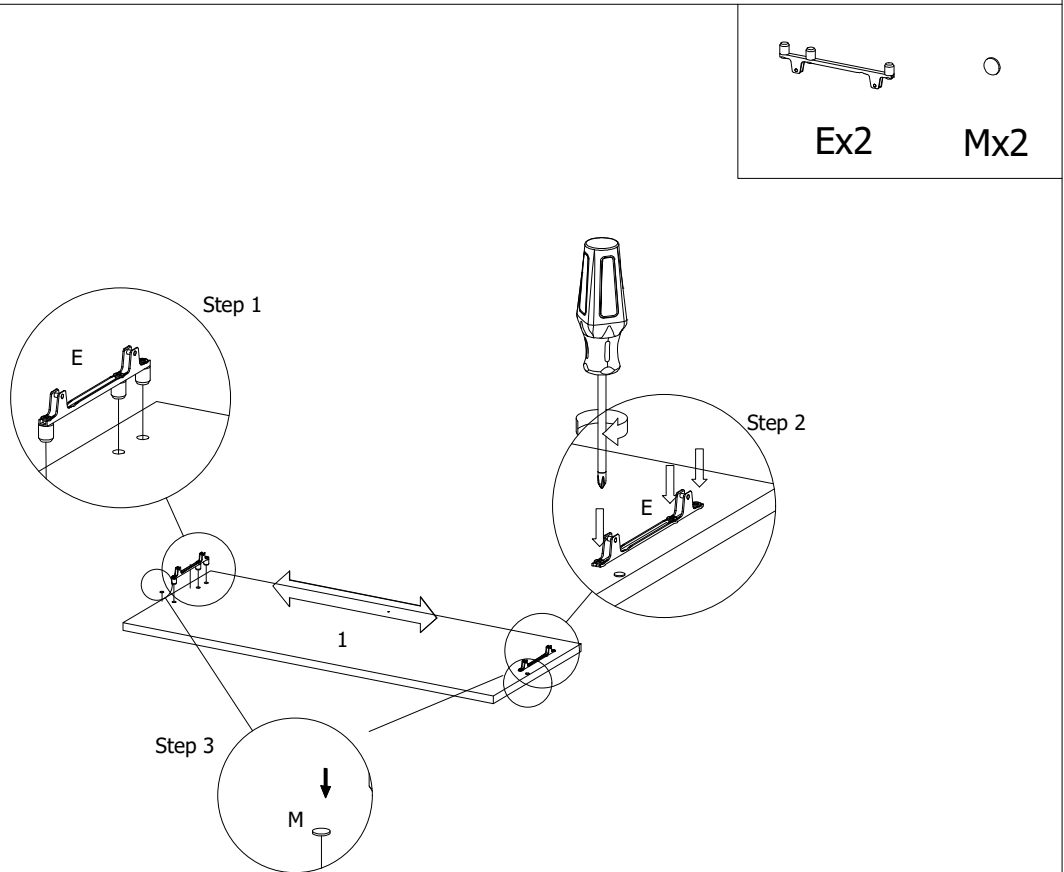


FIG. 3

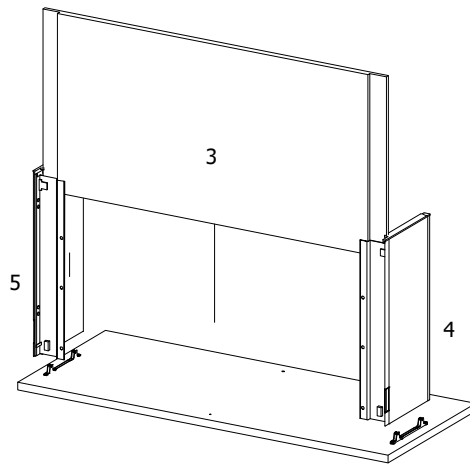
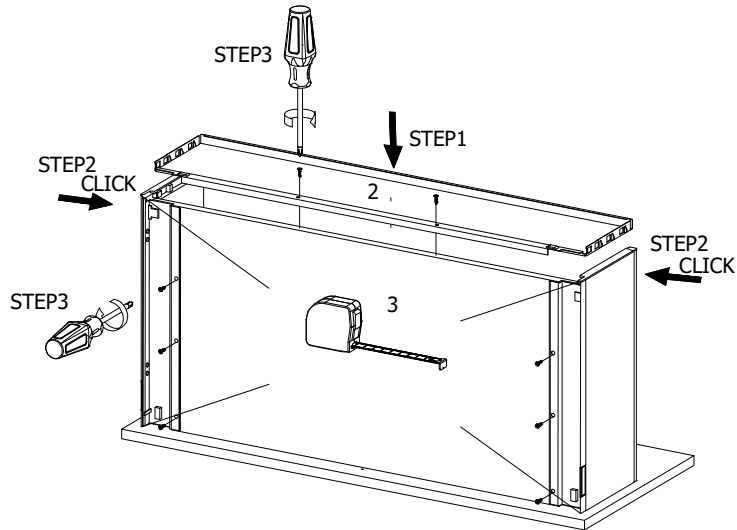
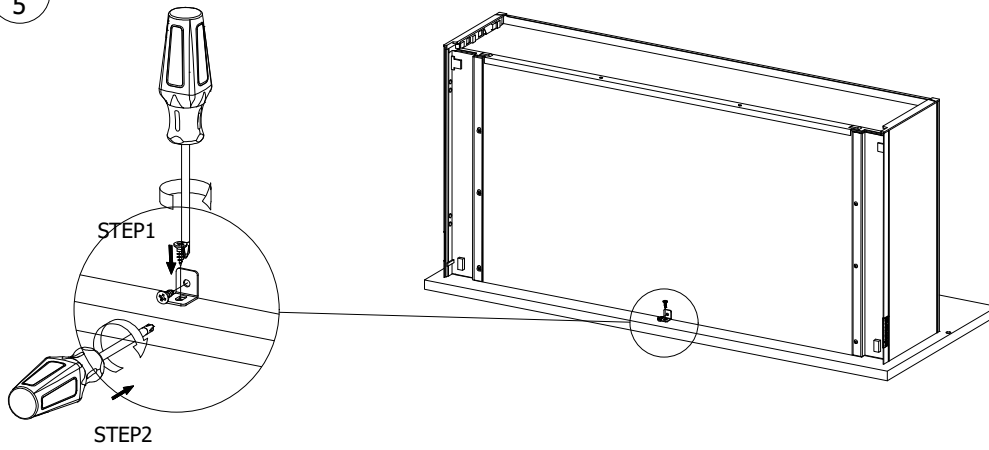


FIG. 4



**Dx8**  
3,5x15

FIG. 5

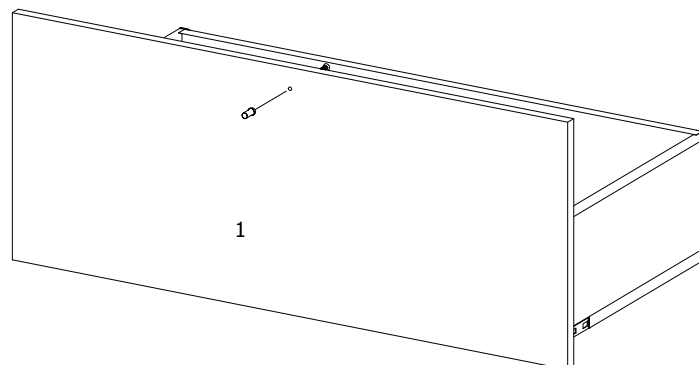


**Gx1**



**Hx2**

FIG. 6



**Kx1**



**Lx1**  
3,5x12

FIG. 7

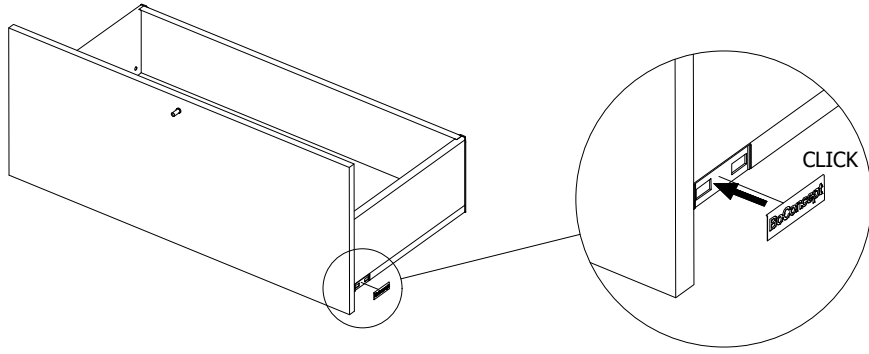


FIG. 8

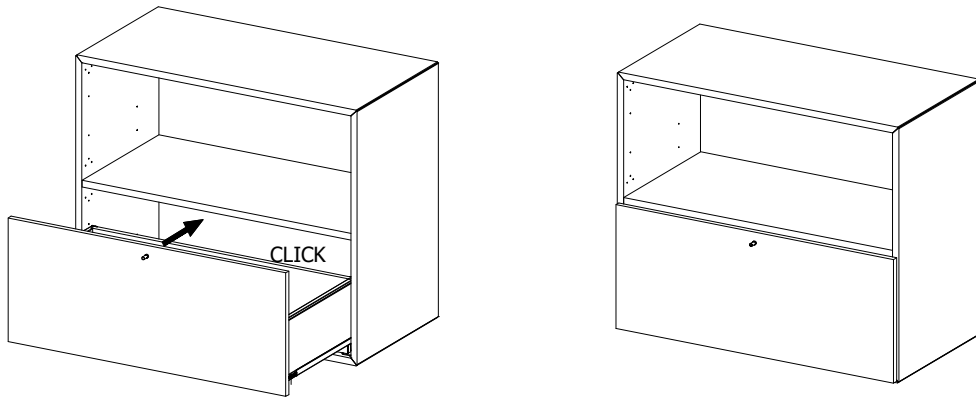
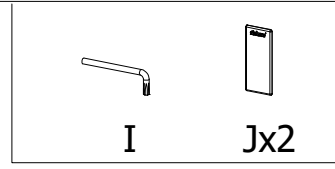
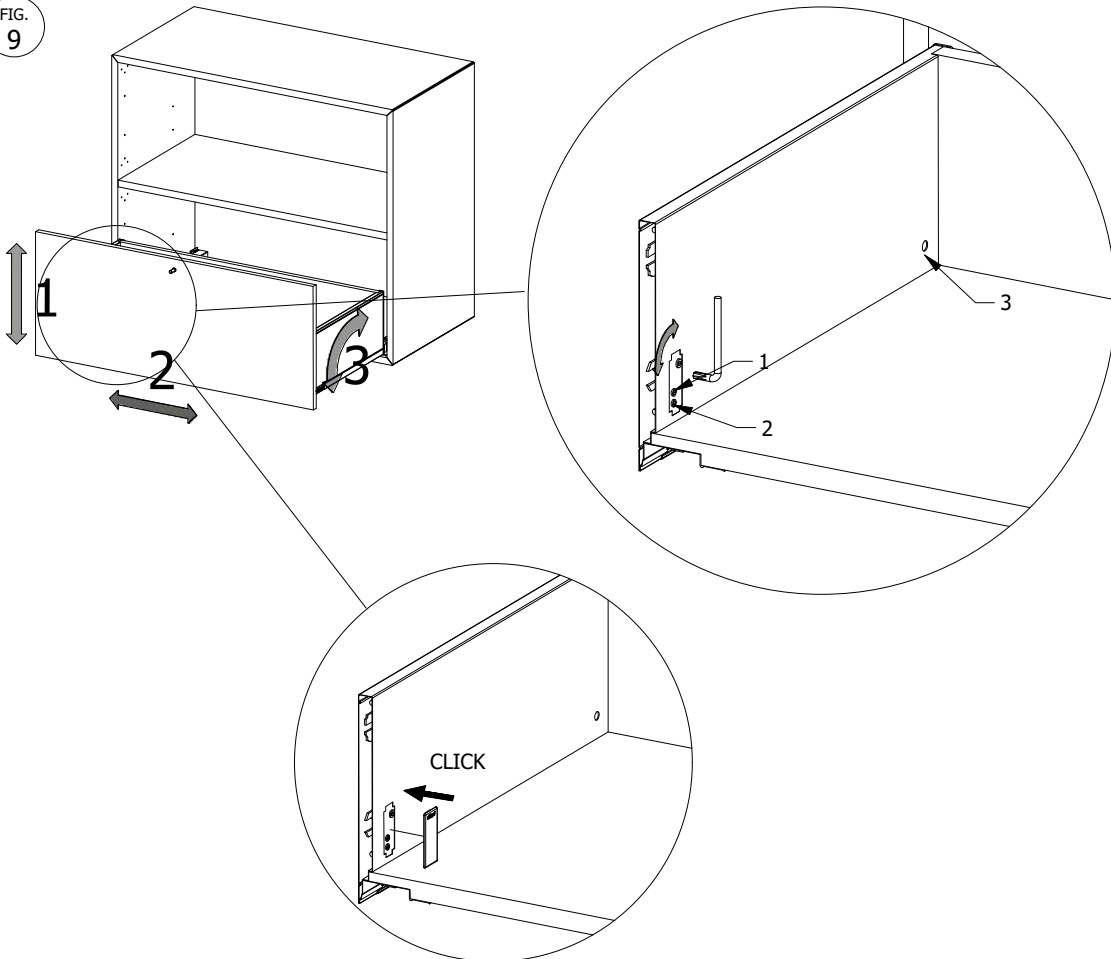
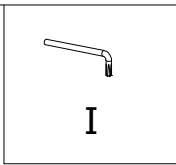
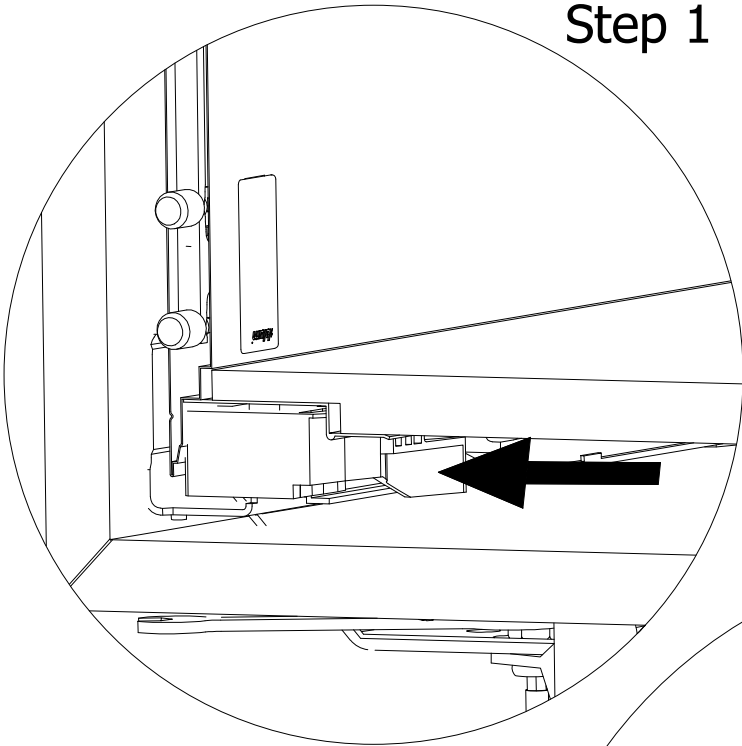


FIG. 9





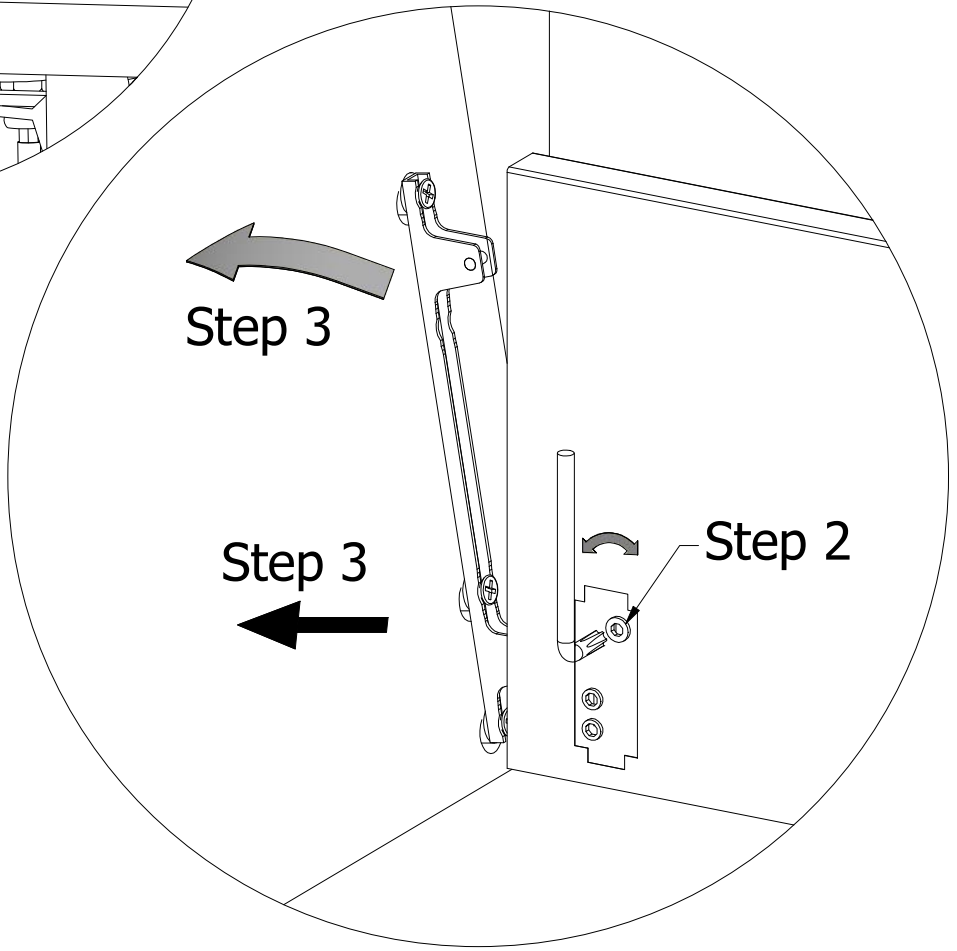
Step 1

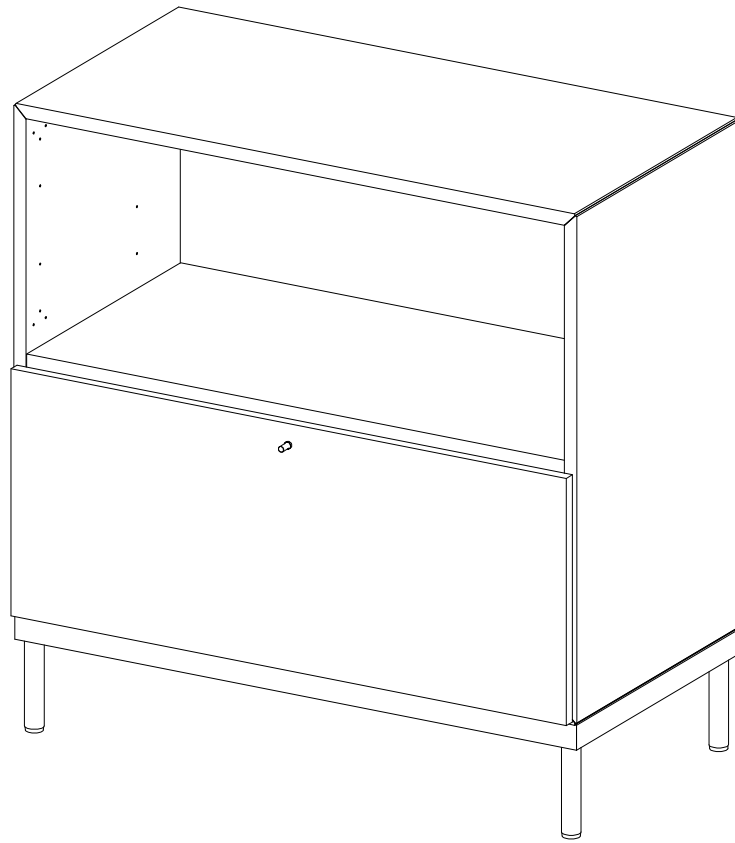


Step 3

Step 3

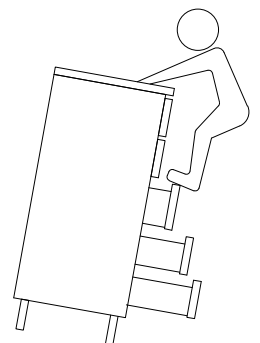
Step 2





## WARNING!!!

DO NOT allow children to climb on unit.  
Open one drawer at a time.



DK Ved reklamation oplyses følgende:  
 D Im Reklamationsfall, bitte folgendes erläutern:  
 US In case of claims, please state the following:  
 F En cas de réclamation, veuillez indiquer:  
 NL Bij service volgene mededelen  
 E En caso de reclamación, indicar lo siguiente:  
 P No caso de reclamação, por favor indique o seguinte:  
 JP お気づきの点等ございましたら、以下の点をお知らせください。

### Example!

