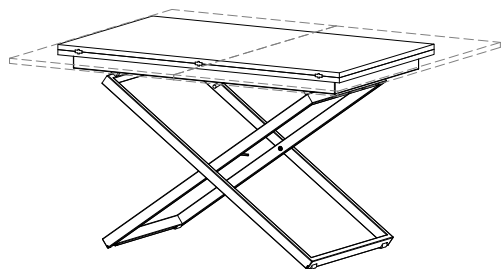


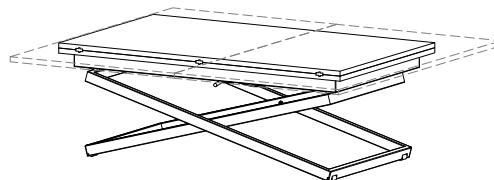
Rubi

Design by Bo Concept

Samvejledning - Assembly Instructions - Montageanleitung - Instructions d'assemblage - Instrucciones de montaje



76,4x120x70/140 cm



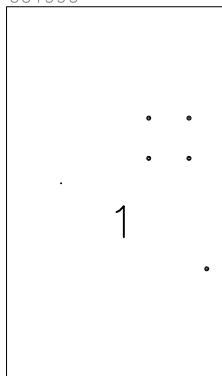
40x120x70/140 cm

3200

max. 40 kg

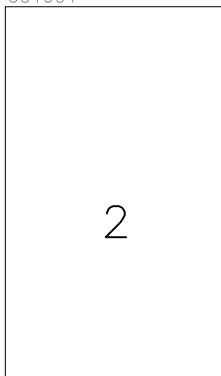
col. 3201

001990



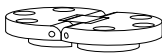
1

001991



2

Beslag – Beschläge – Fittings – Set de montage



A X 3
970001066
Ø35x8mm



B X 18
1978003516
3,5x15mm



D X 4
970001113
M6xØ10,5x13mm



E X 1
970000807
6mm



F X 1
970001118
D19 d6,3x16mm

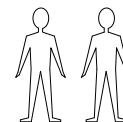


G X 1
1978104530
4,5x30mm

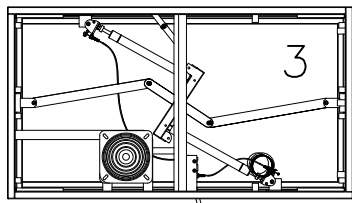


P X 4
970001115
M6x10mm

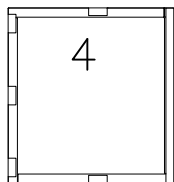
Værktøj –
Werkzeuge –
Tools – Outils



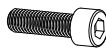
col. 3202



3



4



H X 4
979900479
M8x25mm



J X 1
970003123
6mm



K X 2
970003120
D13/d6,2x1,5mm



L X 2
970003121
D9/d6,2x1,2mm



M X 2
979900228
M6x12mm



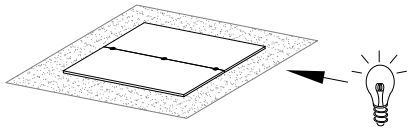
N X 1
970003122
4mm



Q X 1
1978300003
3mm

FIG. 1

Attention!



A X 3
Ø35x8mm

B X 18
3,5x15mm

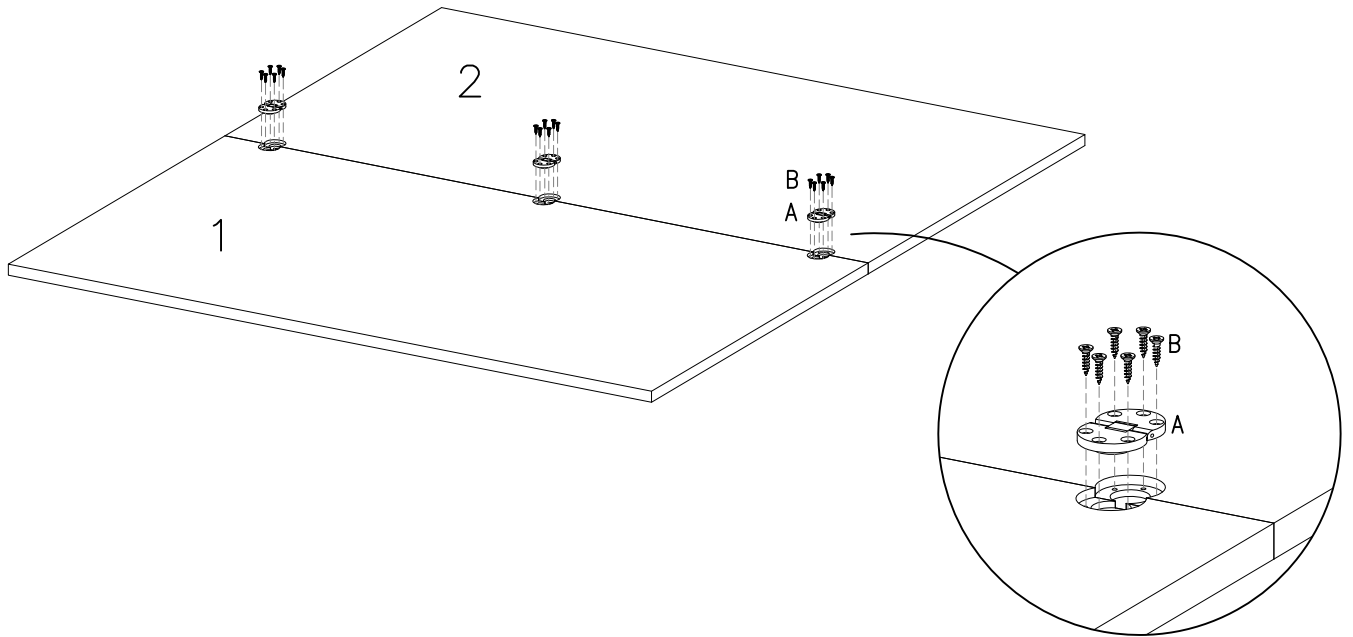
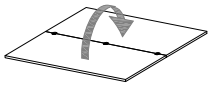


FIG. 2



D X 4
M6xØ10,5x13mm

E X 1
6mm

F X 1
D19 d6,3x16mm

G X 1
4,5x30mm

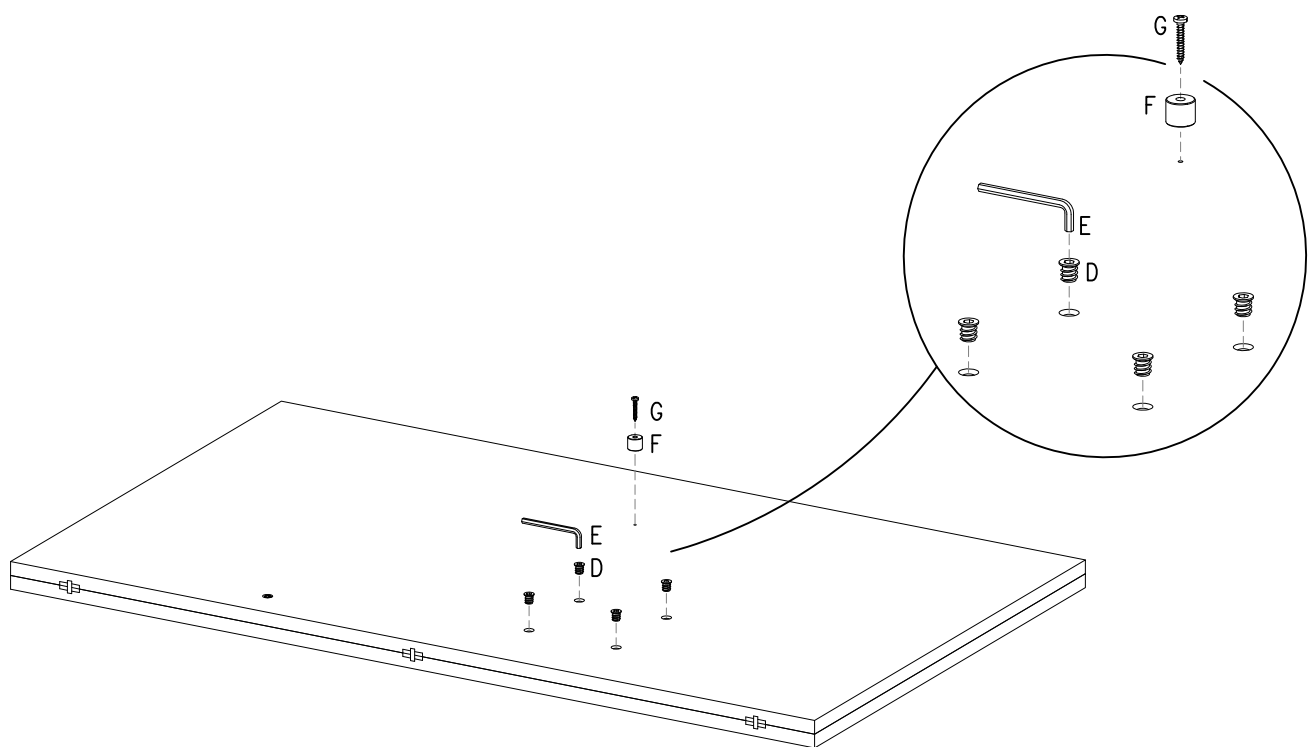
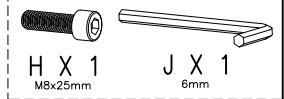
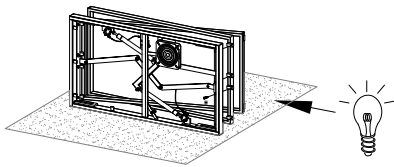


FIG. 3



Attention!

Attention!

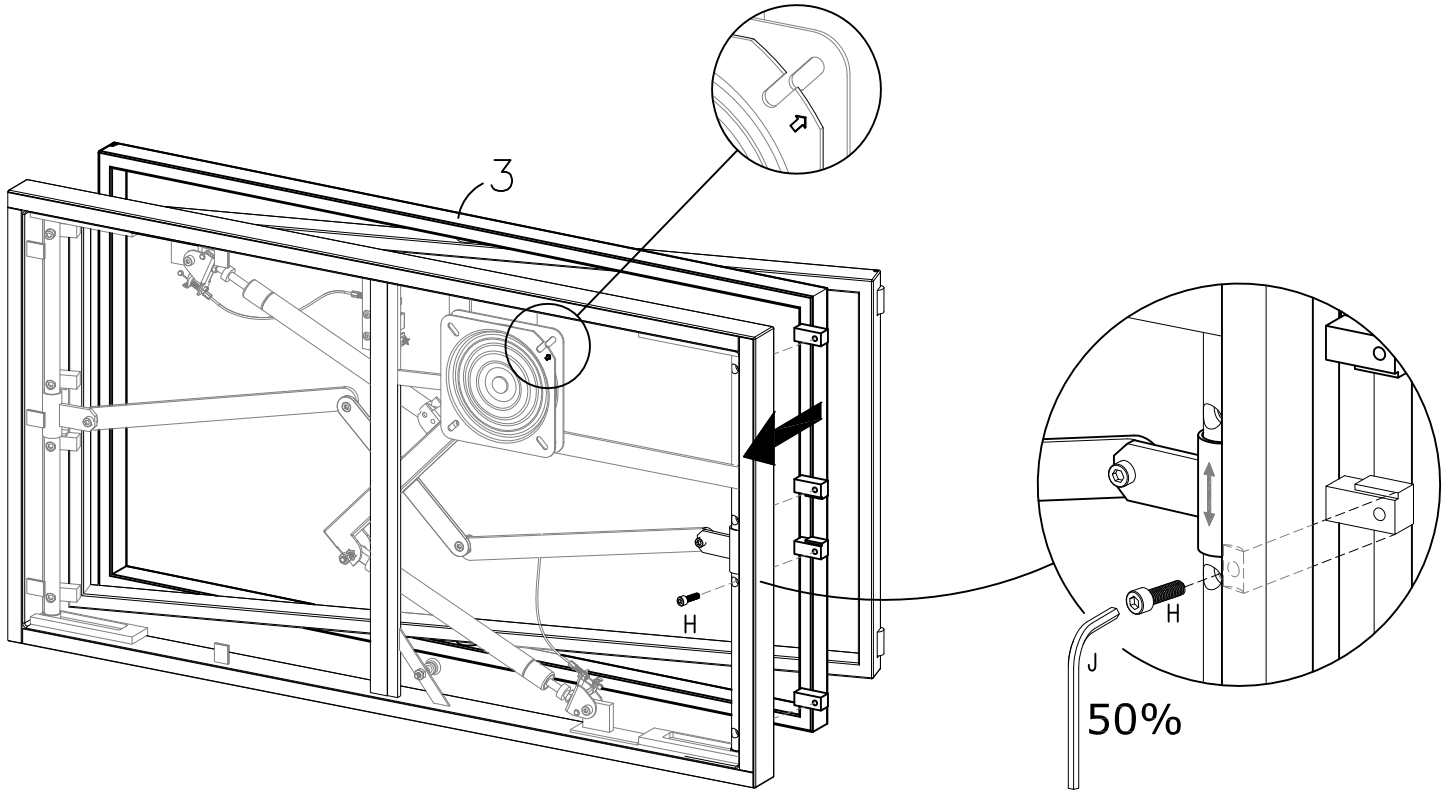
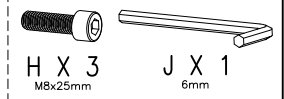


FIG. 4



Step 1

Step 2

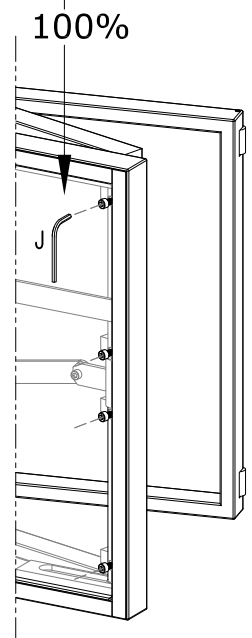
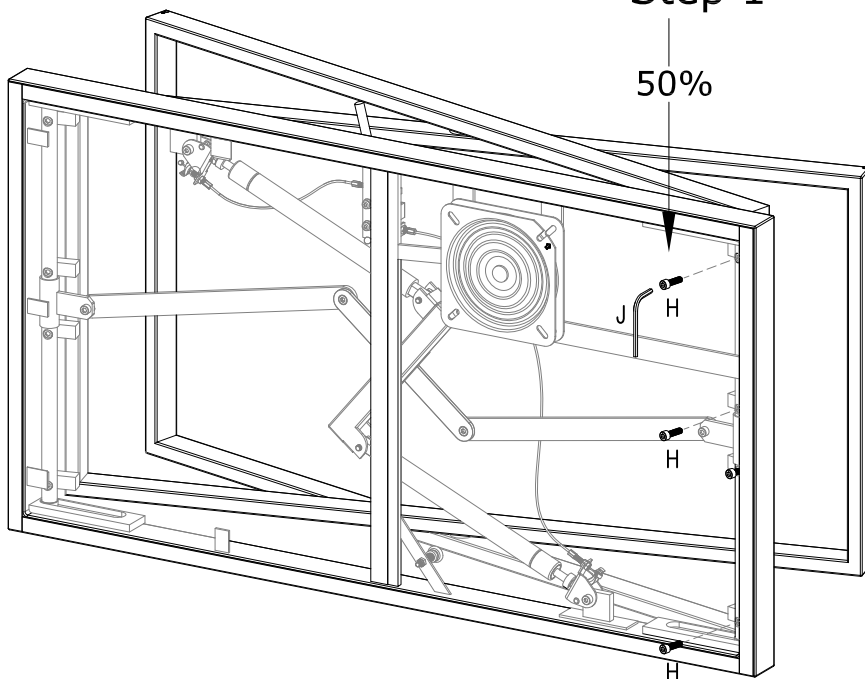






FIG. 5

WARNING

-  **K X 2**
D13/d6,2x1,5mm
-  **L X 2**
D9/d6,2x1,2mm
-  **M X 2**
M6x12m
-  **N X 1**
4mm

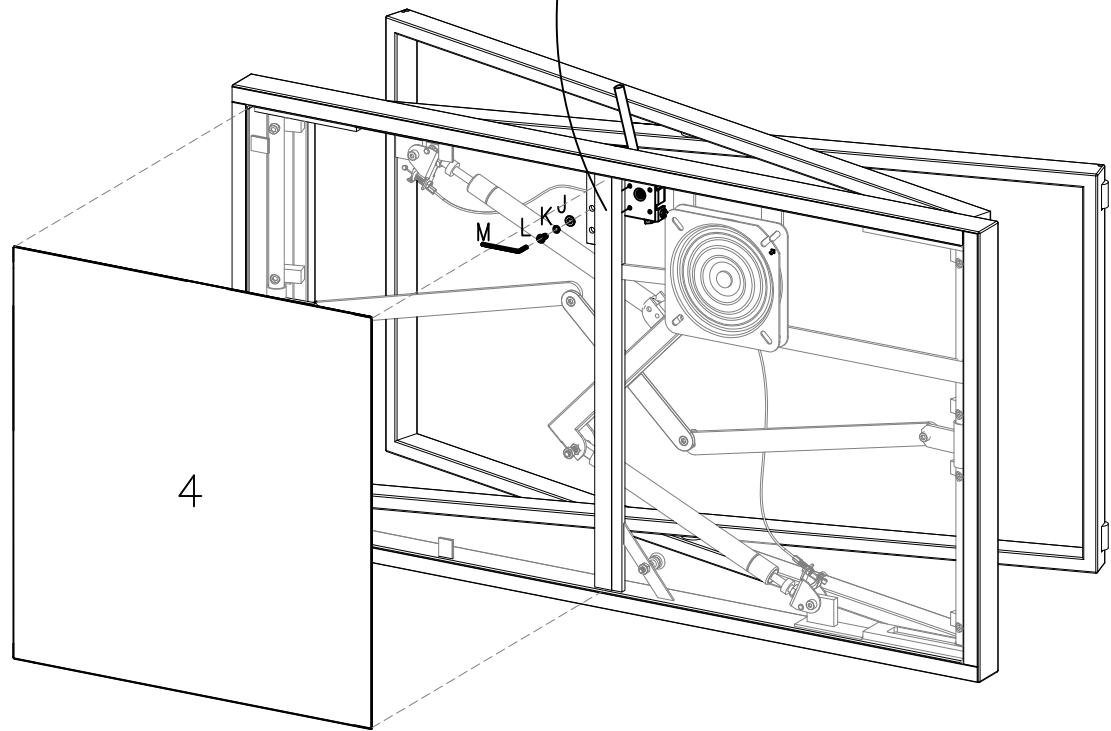
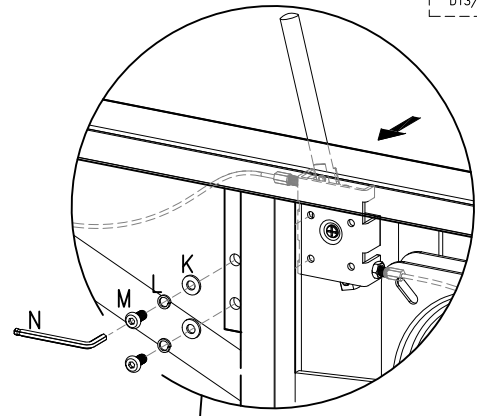
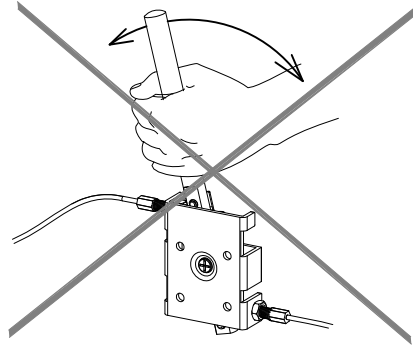


FIG. 6

Attention!

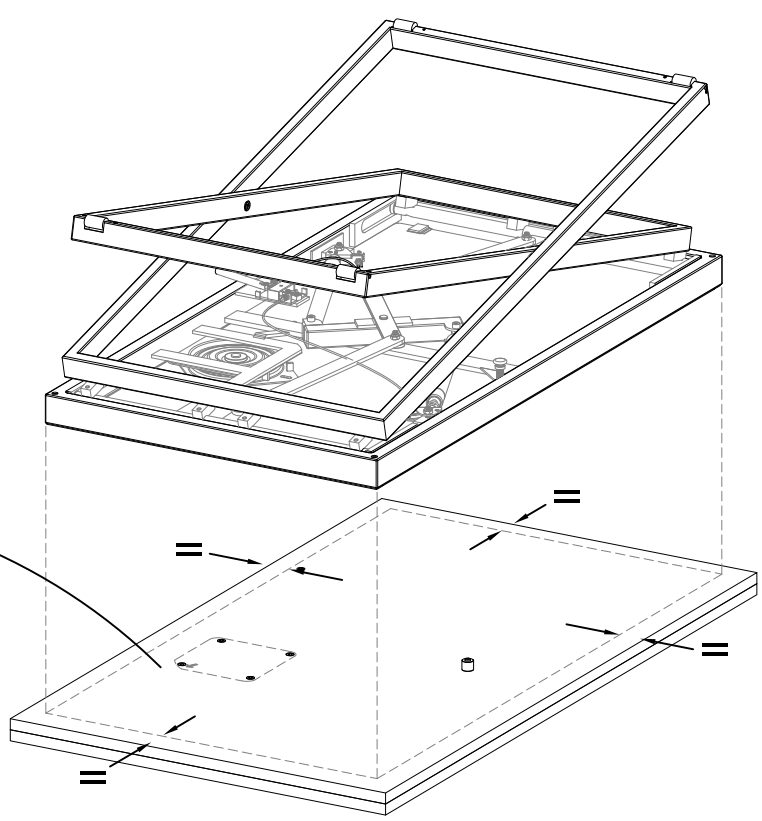
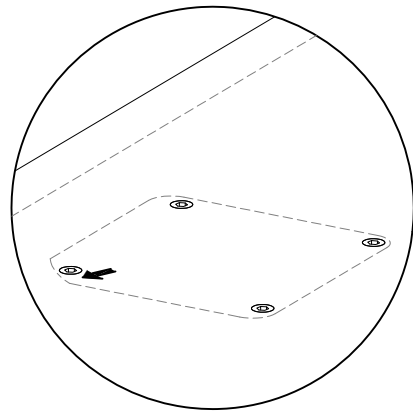


FIG. 7

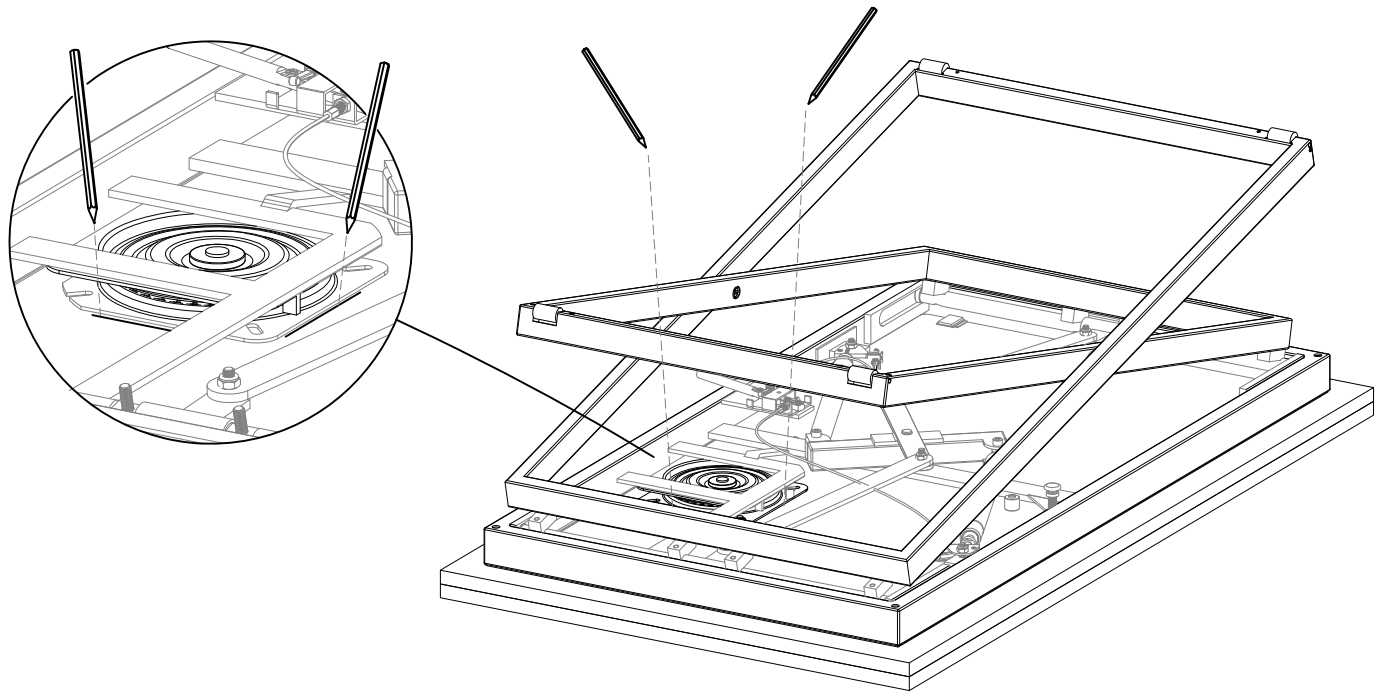
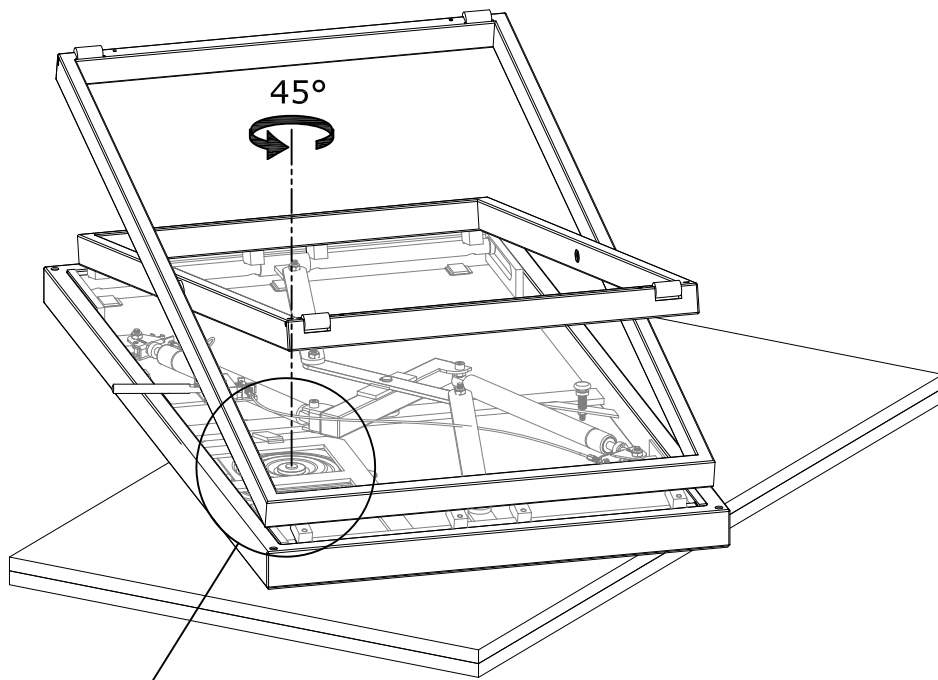


FIG. 8




P X 4
M6x10mm

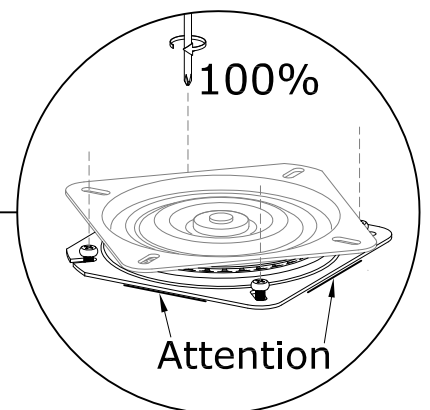
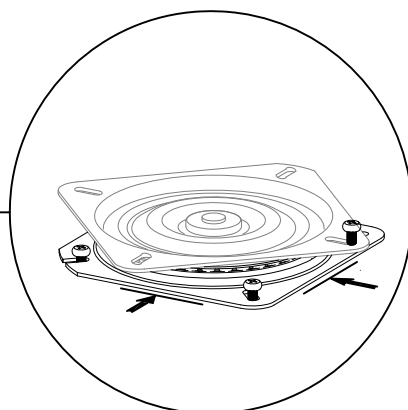
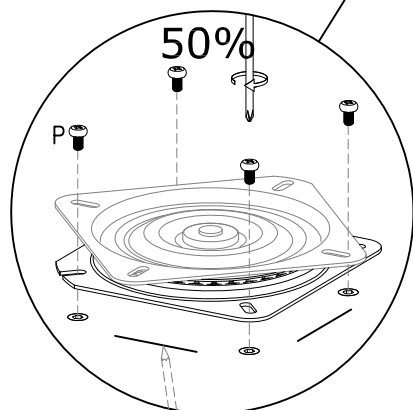


FIG. 9

Q X 1
3mm

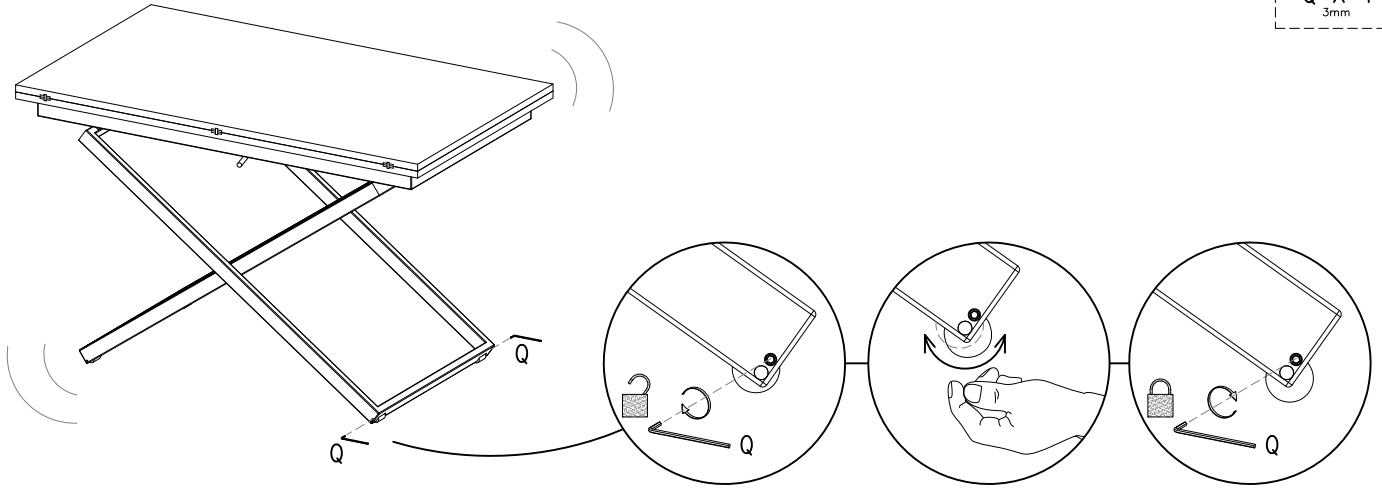
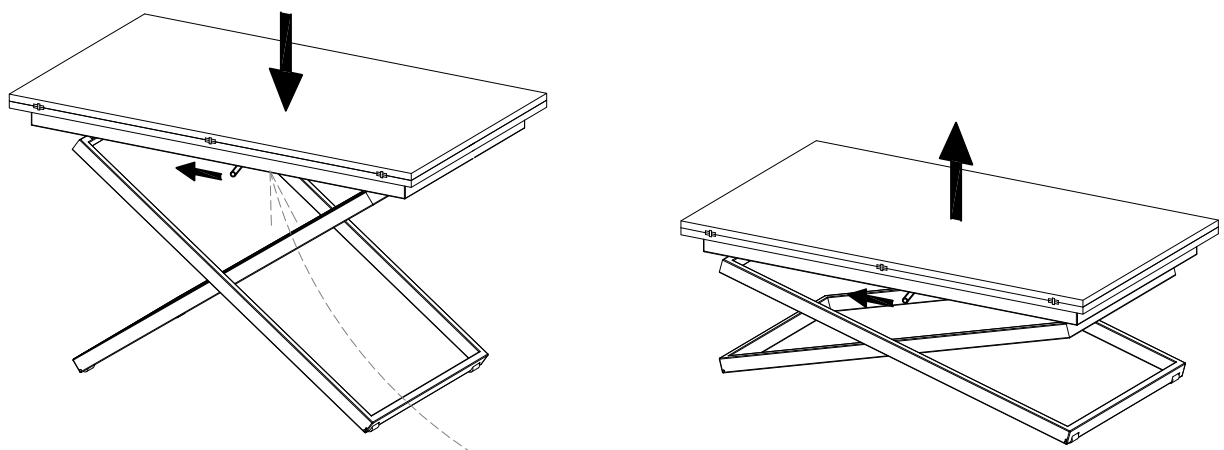
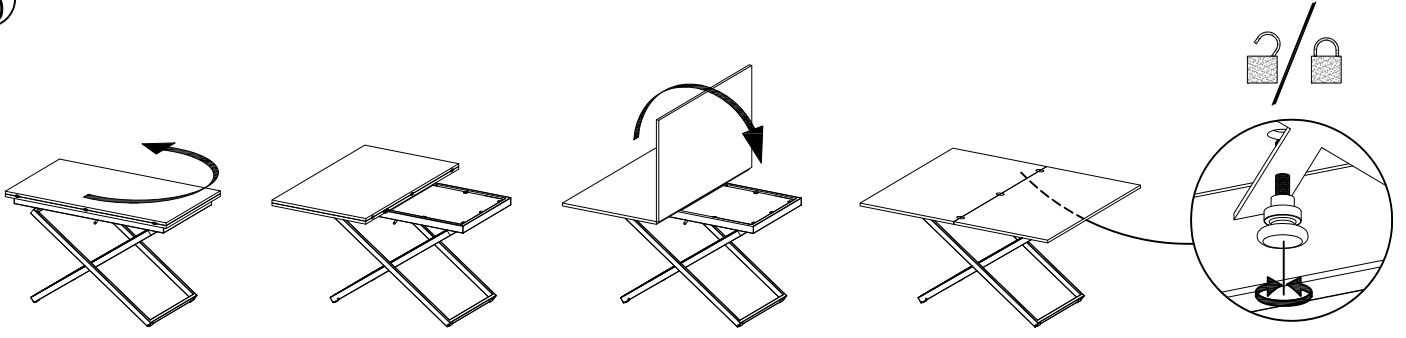


FIG. 10



⚠ WARNING

! DK Ved reklamation oplyses følgende:
 D Im Reklamationsfall, bitte folgendes erläutern:
 US In case of claims, please state the following:
 F En cas de réclamation, veuillez indiquer:
 NL Bij service volgene mededelen
 E En caso de reclamacion, indicar lo siguiente:
 P No caso de reclamação, por favor indique o seguinte:
 JP お気づきの点等ございましたら、以下の点をお知らせください。

Example!

