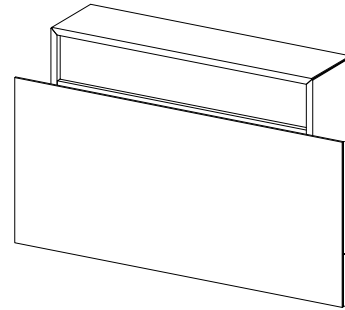
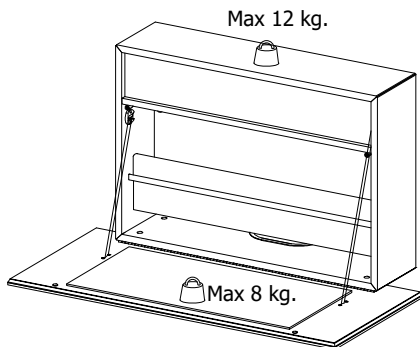


# Cupertino

Design by BoConcept

Samlevejledning - Assembly Instructions - Montageanleitung - Instructions d'assemblage - Instrucciones de montaje



## 370-5650

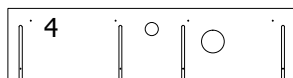
63,0x100,0x63,1/22,0 cm Max 20 kg.

Korpus - Korpus - Carcase - Carcasse

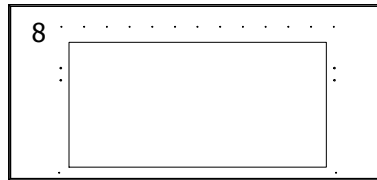
Værktøj - Werkzeuge - Tools - Outils



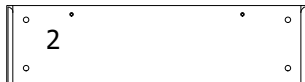
004464



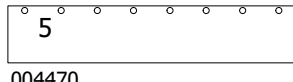
004468



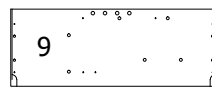
005981



004465



004470



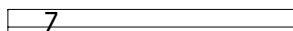
005979



004469



004472



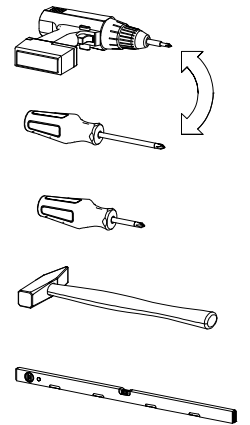
80044760092



005980

11

970001466



Beslag - Beschläge - Fittings - Set de montage Fittingbox 930000935 White

930000937 Espresso



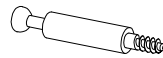
A x 16

970001690  
Dowel Ø8x30



B x 8

979900041  
Dowel Ø6x30



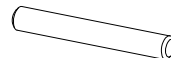
C x 14

970001696  
Fitting bolt Ø3x11



D x 14

970001452  
Fitting house Ø15



F x 8

970001465  
Dowel Ø16x117



G x 2

970000708  
Mounting plate



J x 30

970001717  
Screw flh 3x15



L x 4

970001097  
Screw ph 4,0x15



M x 4

970001078  
Screw ma M4x10 mm



N x 4

970001702  
Euro screw 4,2x13,5



P x 4

970000808  
Expansion bush M4



Q x 8

970000823  
Shelf support



R x 2

970001362  
Bush M6



U x 2

970000760  
Stop for magnet



V x 2

970001470 Espresso  
970001471 White  
Cap Ø25mm



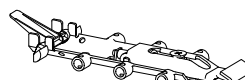
AA x 8

970001383 White  
970001384 Espresso  
Cap Ø18



AC x 2

970001686  
Buffer Ø7x1,5



AD x 2

970001393  
Wall hang fitting



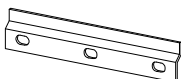
AH x 2

970001319  
Feet



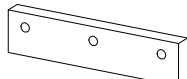
AK x 1

80028740008  
Decoration piece assemble



AE x 2

970001732



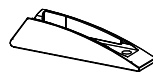
AI

970001733



S x 2

970001810



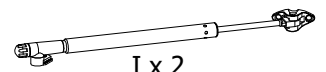
T x 2

970001820



AL x 2

970001819



I x 2

970000744



G x 2



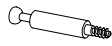
N x 4  
EuroScrew 4,2x13,5



A x 16



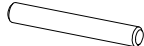
B x 8



C x 14



D x 14



F x 8



R x 2



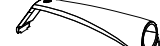
T x 2



J x 4



S x 2



AL x 2

FIG. 1

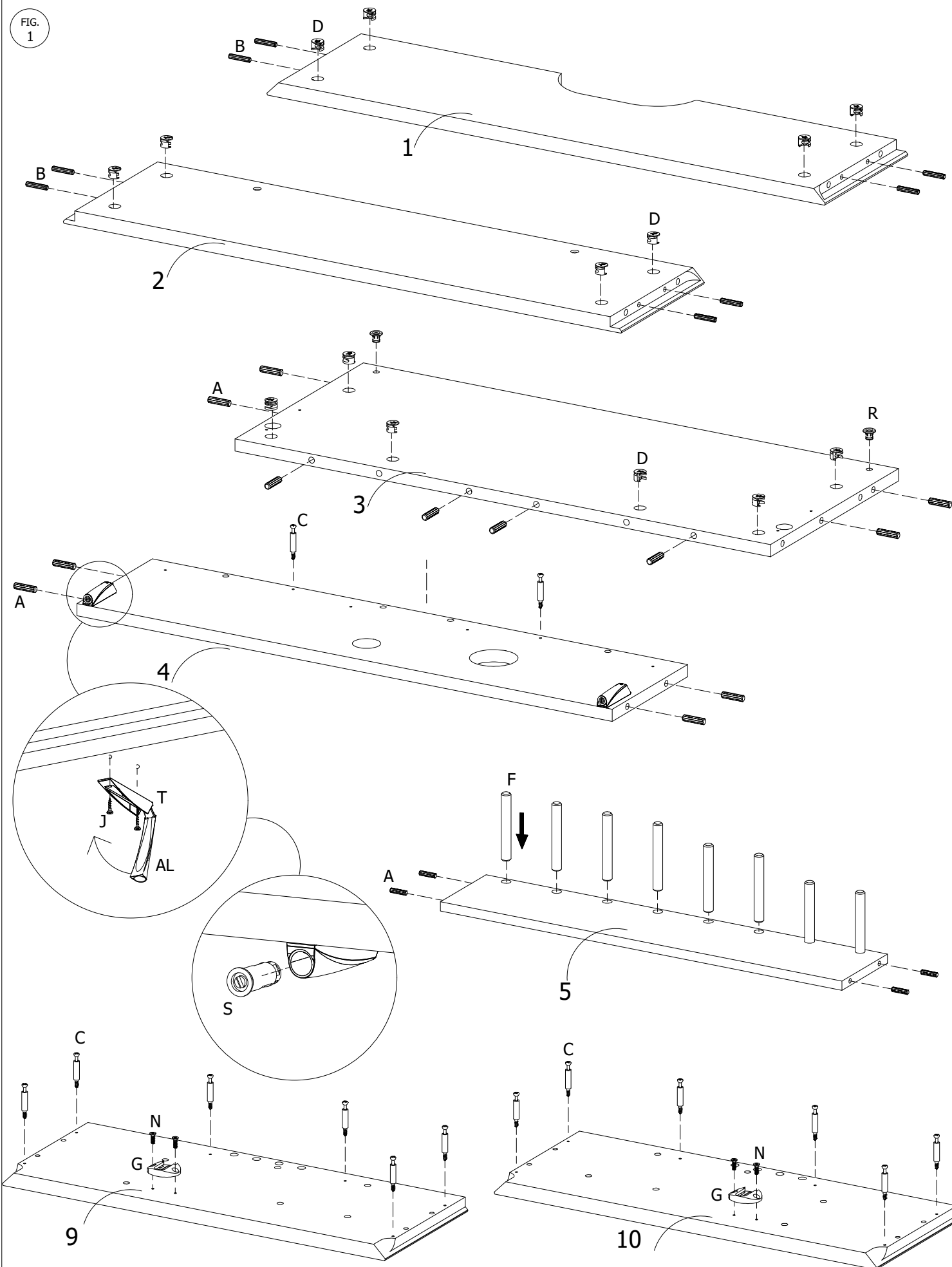


FIG.  
2

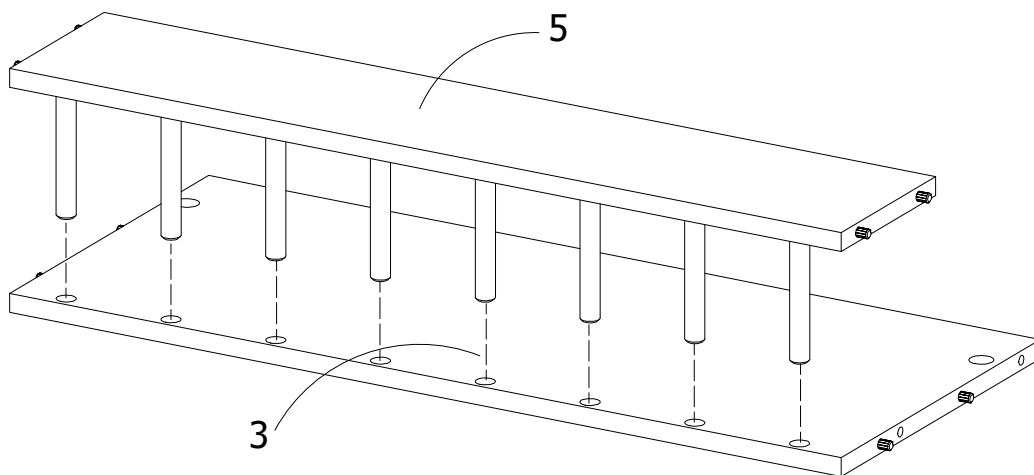


FIG.  
3

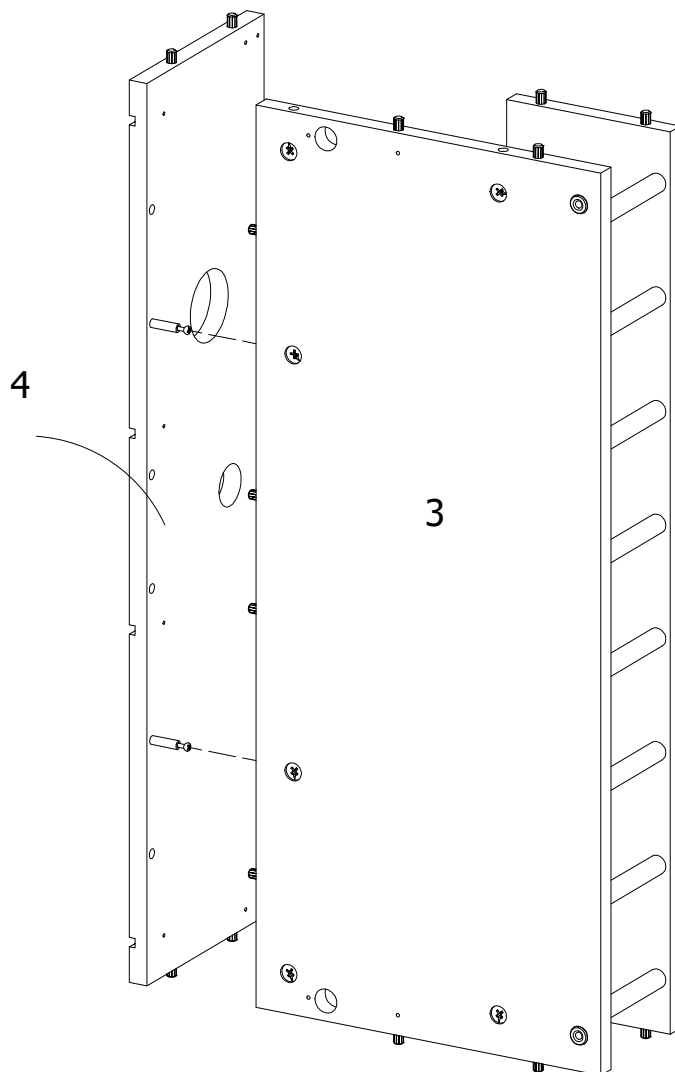


FIG. 4

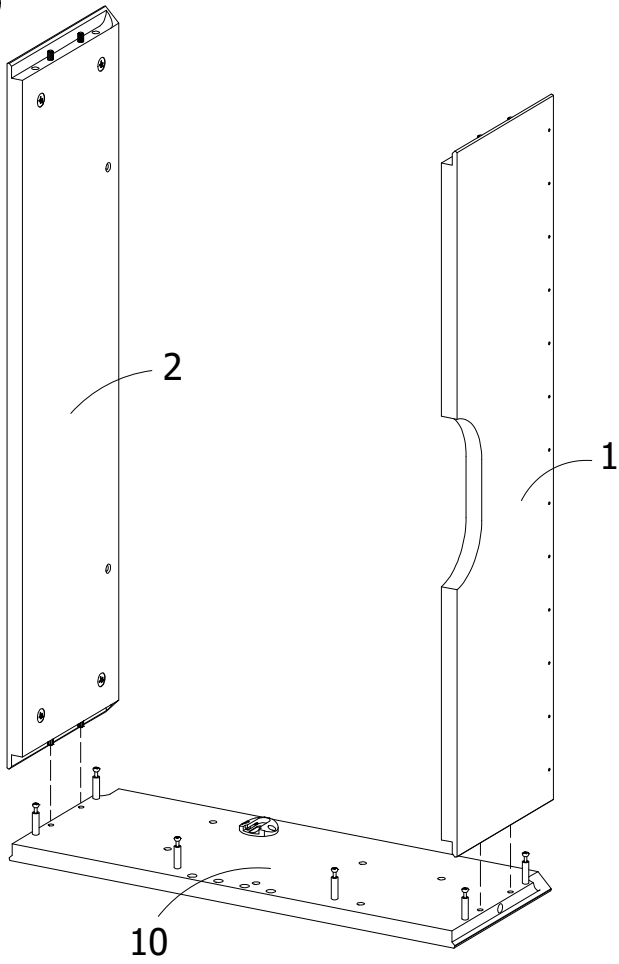


FIG. 5

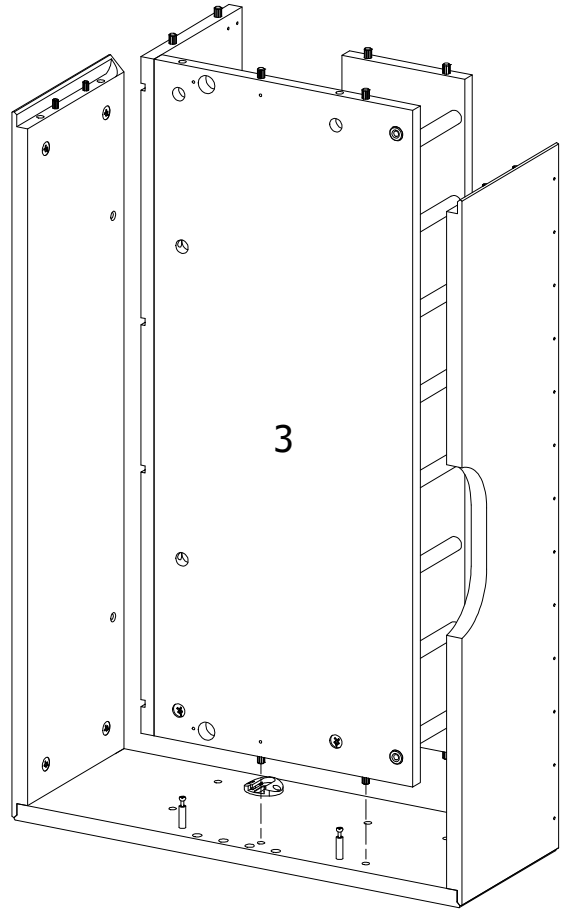


FIG. 6

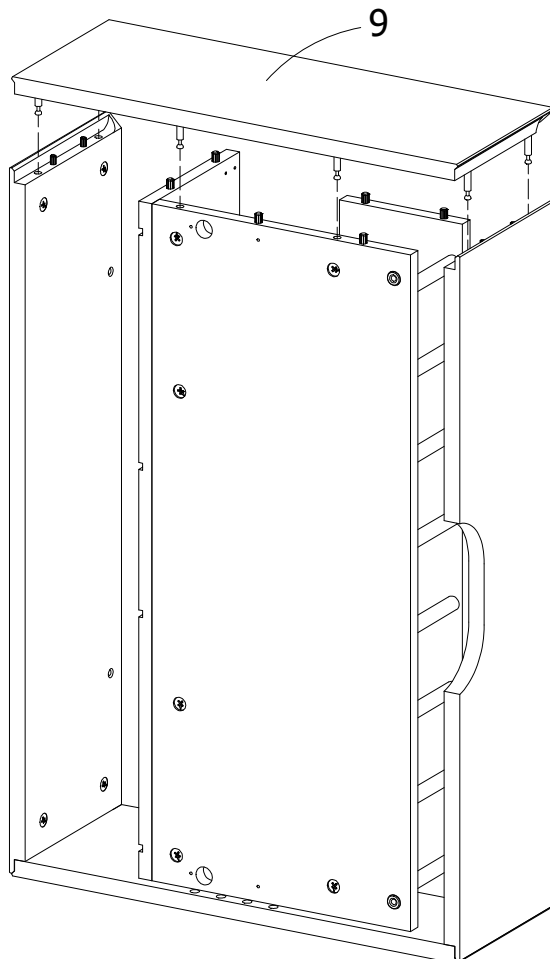


FIG. 7

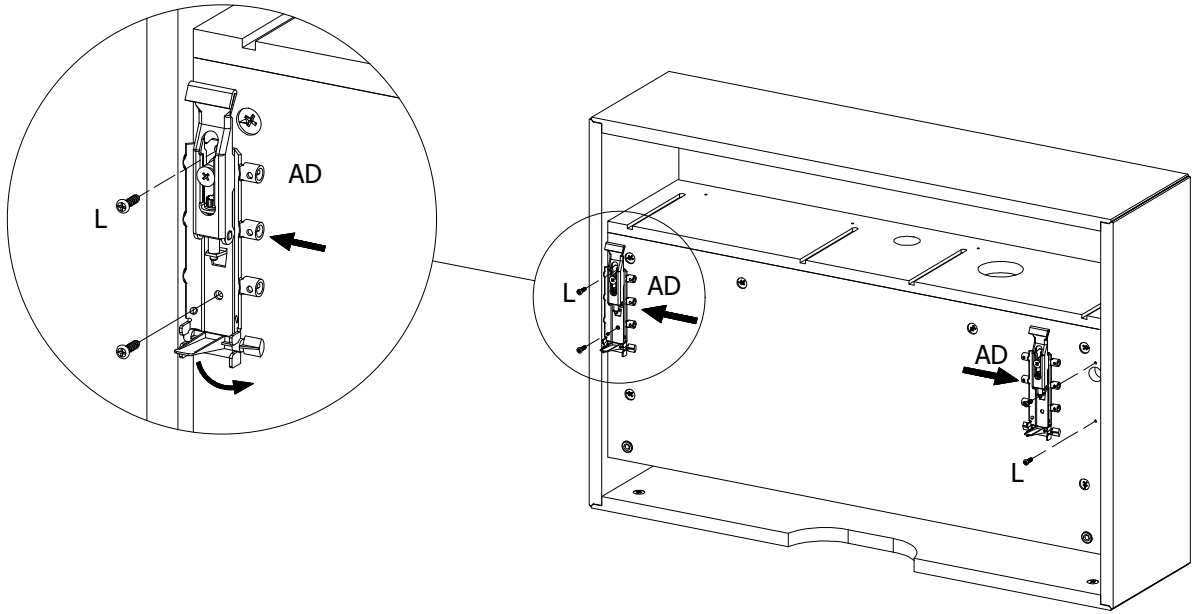
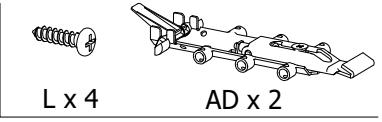


FIG. 8

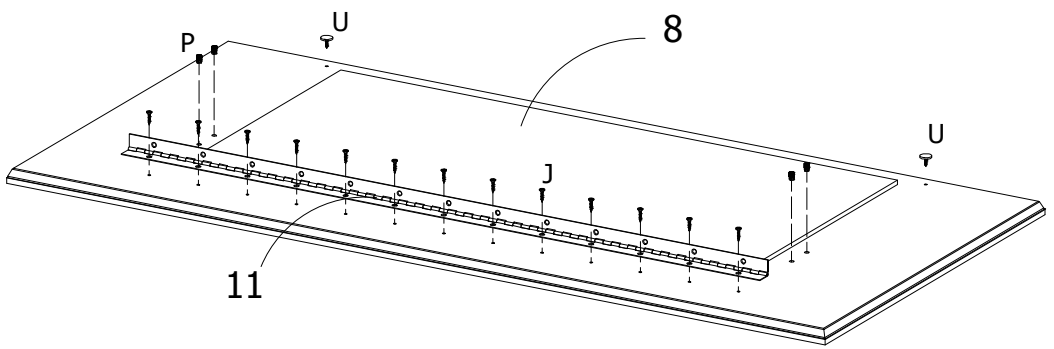
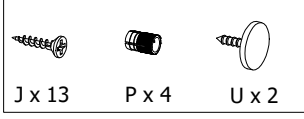


FIG. 9

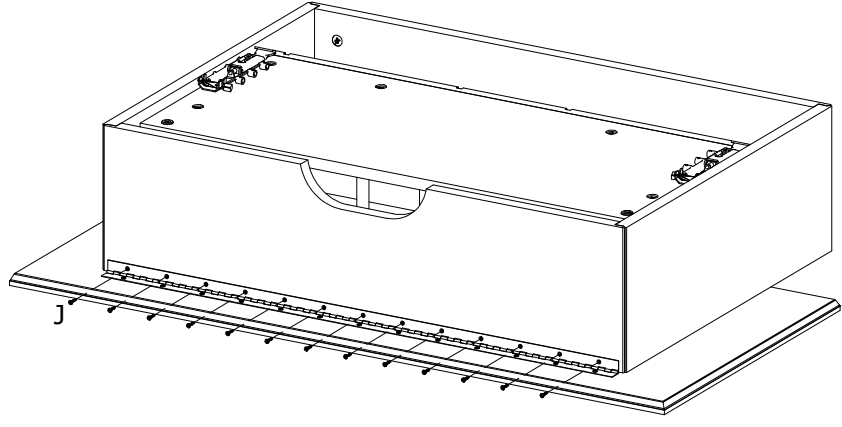
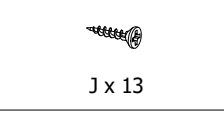


FIG. 11

M x 4  
Screw ma M4x10 mm

I x 2  
970000744

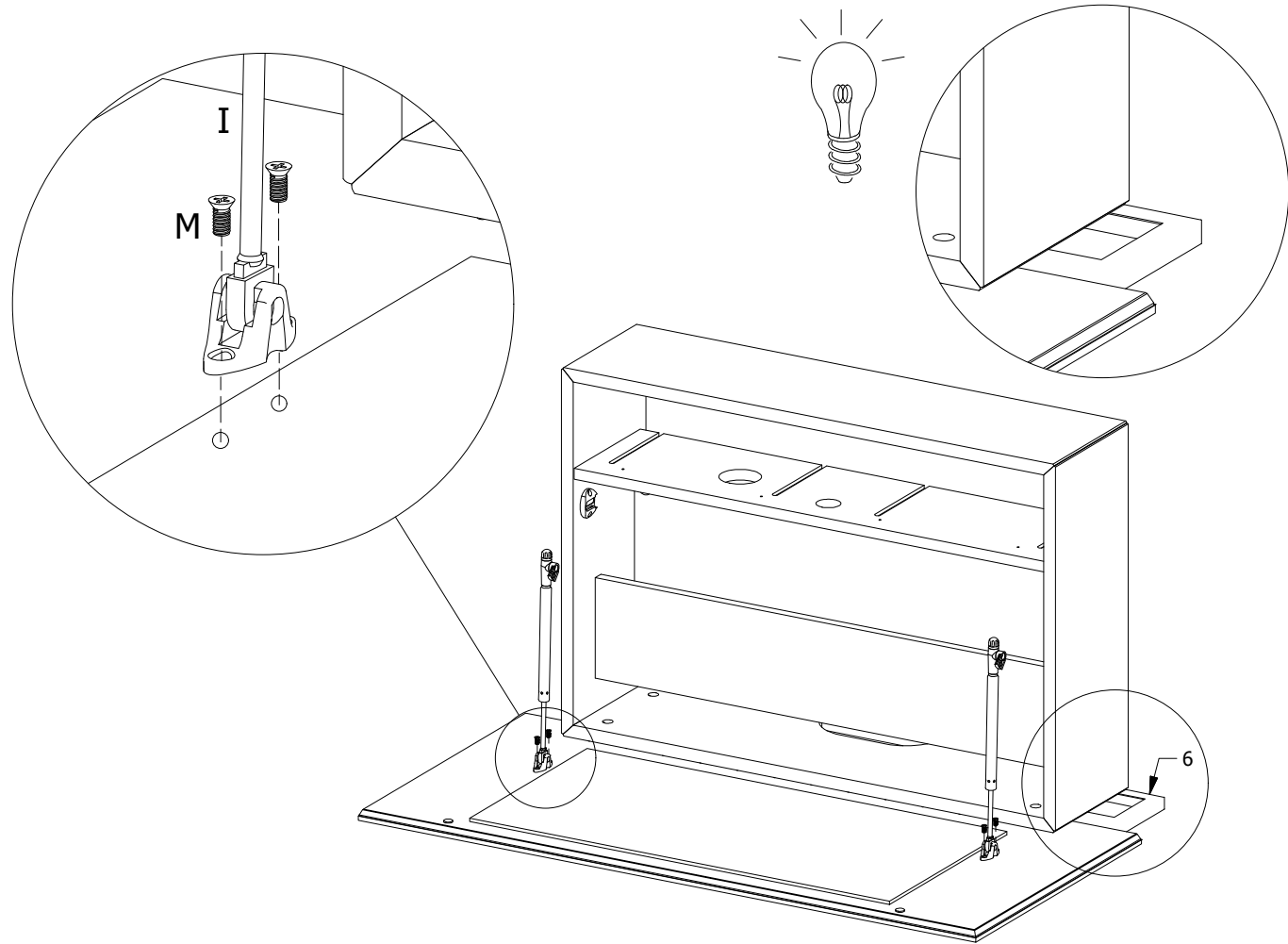


FIG. 12

Q x 4

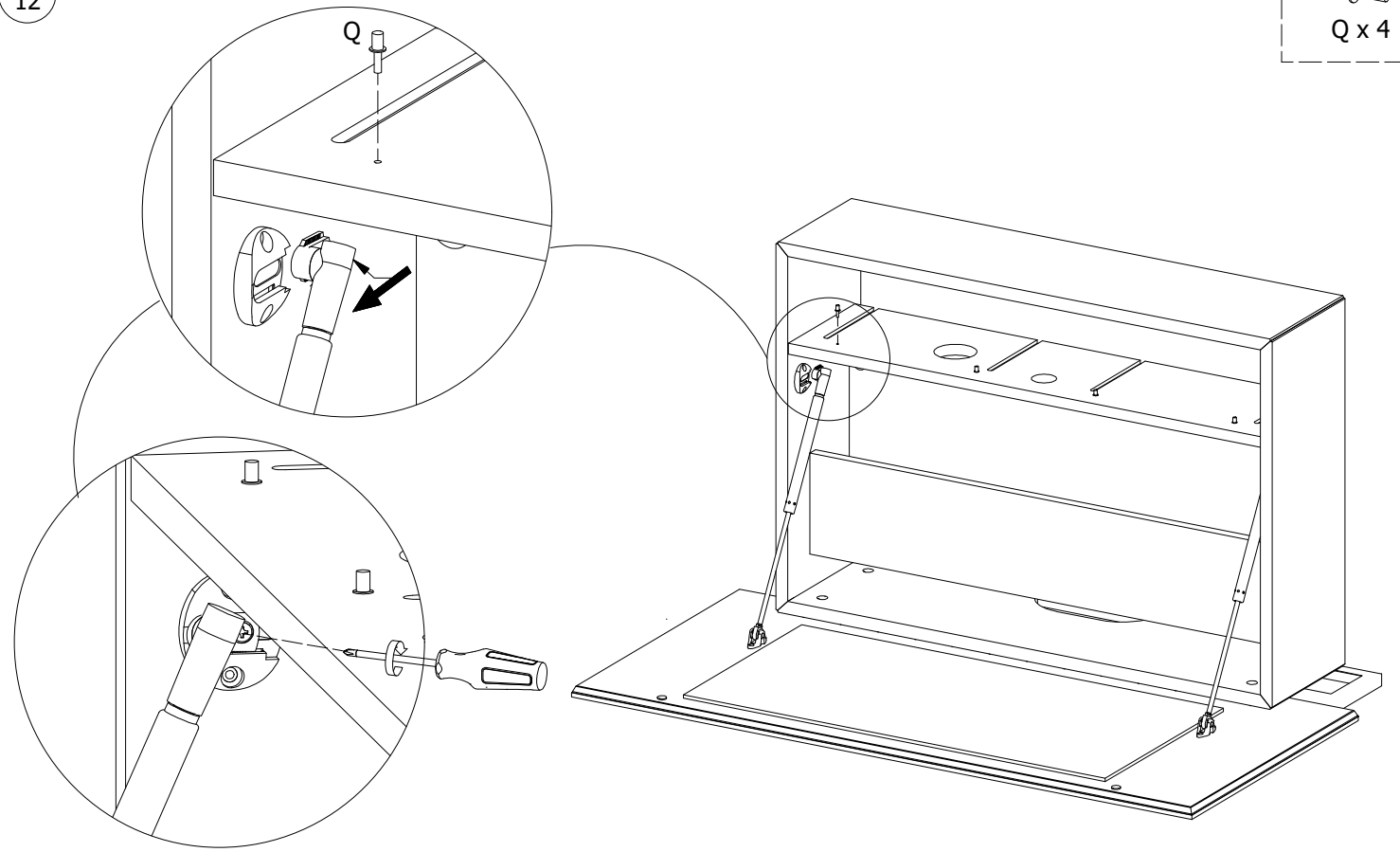
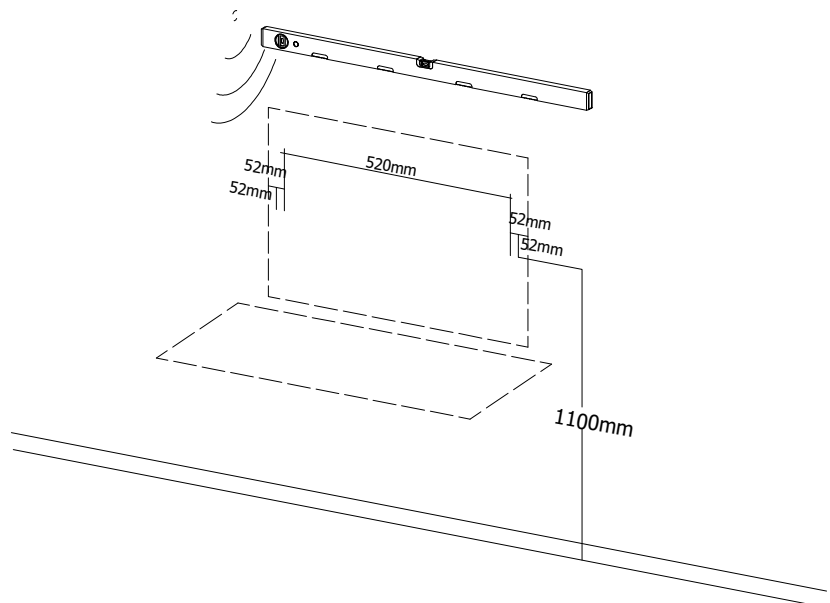
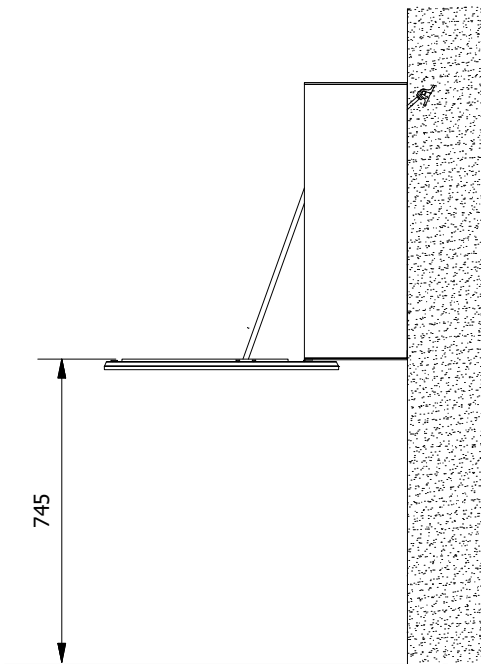
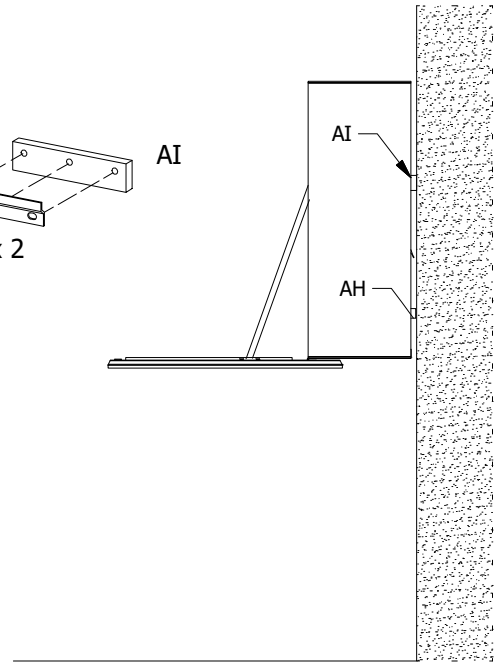
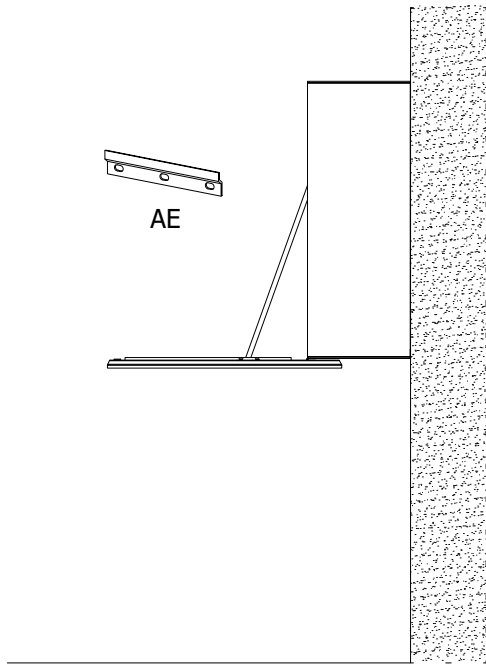


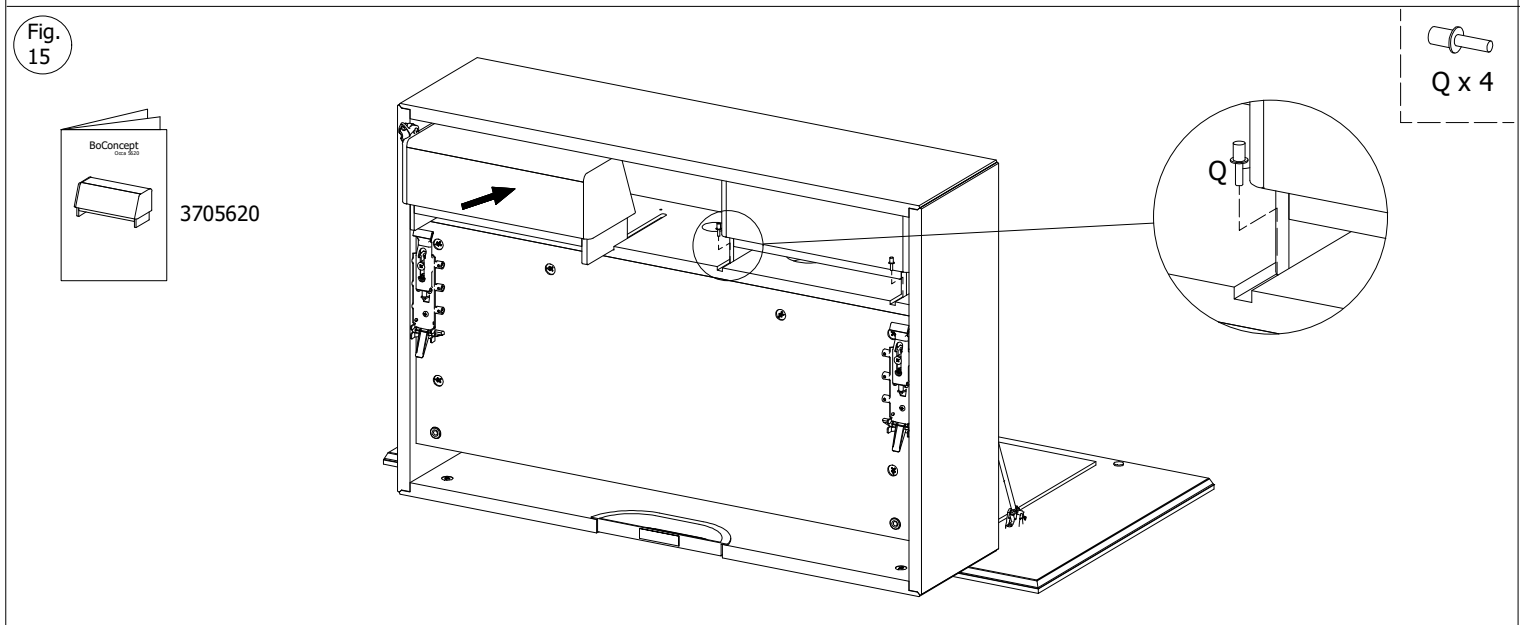
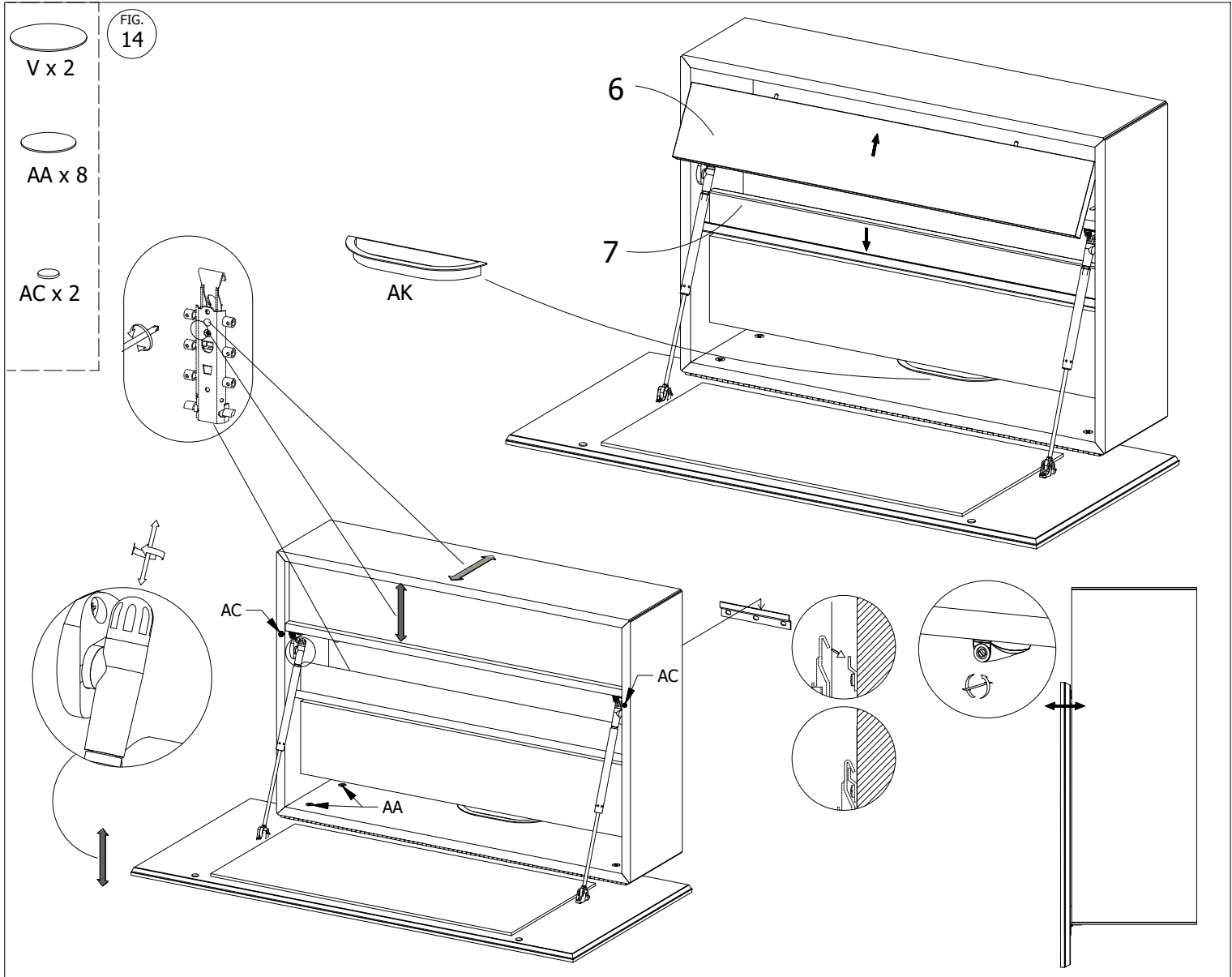
FIG. 13

AE x 2

AI x 2

AH x 2





DK Ved reklamation oplyses følgende:  
 D Im Reklamationsfall, bitte folgendes erläutern:  
 US In case of claims, please state the following:  
 F En cas de réclamation, veuillez indiquer:  
 NL Bij service volgense mededelen  
 E En caso de reclamación, indicar lo siguiente:  
 P No caso de reclamação, por favor indique o seguinte:  
 JP お気づきの点等ございましたら、以下の点をお知らせください。

**Example!**

Korpus - Korpus - Carcase - Carcasse			Beslag - Fittings - Beschläge - Set de Montage		