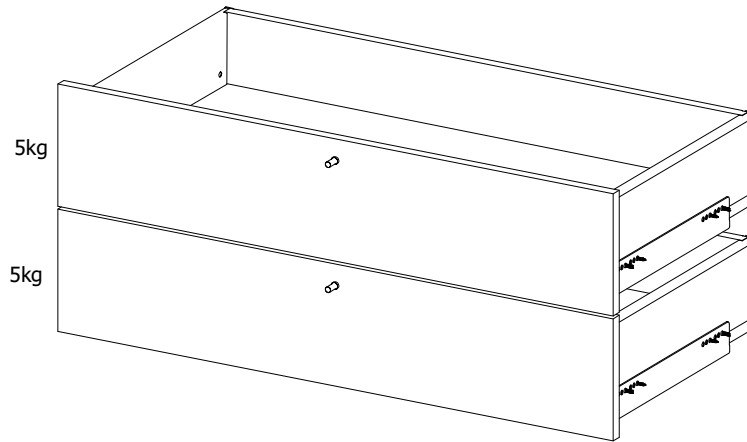


Atlanta

Design by BoConcept

Samvejledning - Assembly Instructions - Montageanleitung - Instructions d'assemblage - Instrucciones de montaje



382-0190

17,2x84,8x43,6 cm

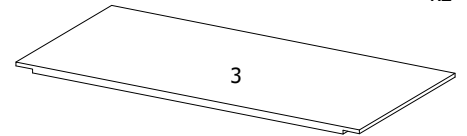
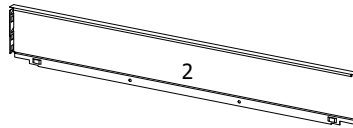
382-0190

Korpus - Korpus - Carcase - Carcasse

x2

x2

x2



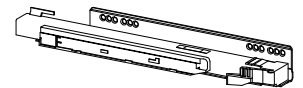
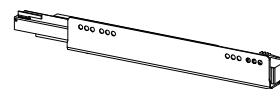
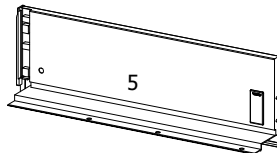
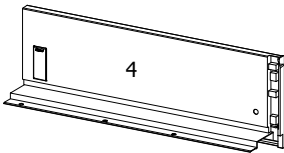
006191

006383

006331

382-0190 Fittingbox: 930001062 x2

382-0190 Fittingbox: 930001060 x2



006290

006291

Ax1
970001834

Bx1
970001835

Beslag - Beschlage - Fittings - Set de montage

382-0190 Fittingbox: 930001102 black
930001123 white

Verktoj - Werkzeuge - Tools - Outils



Cx8
970001702
4,2x13,5

Dx24
970001718
3,5x15

Ex4
970001940

Fx4
970001837

Gx2
970001939



Hx4
970000657
3,5x12

Ix1
970001899

Jx4
970001838

Kx2
970001891 black
970001938 white

Lx2
970001681
M4x22

Mx4
970001686

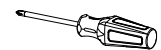


FIG. 1

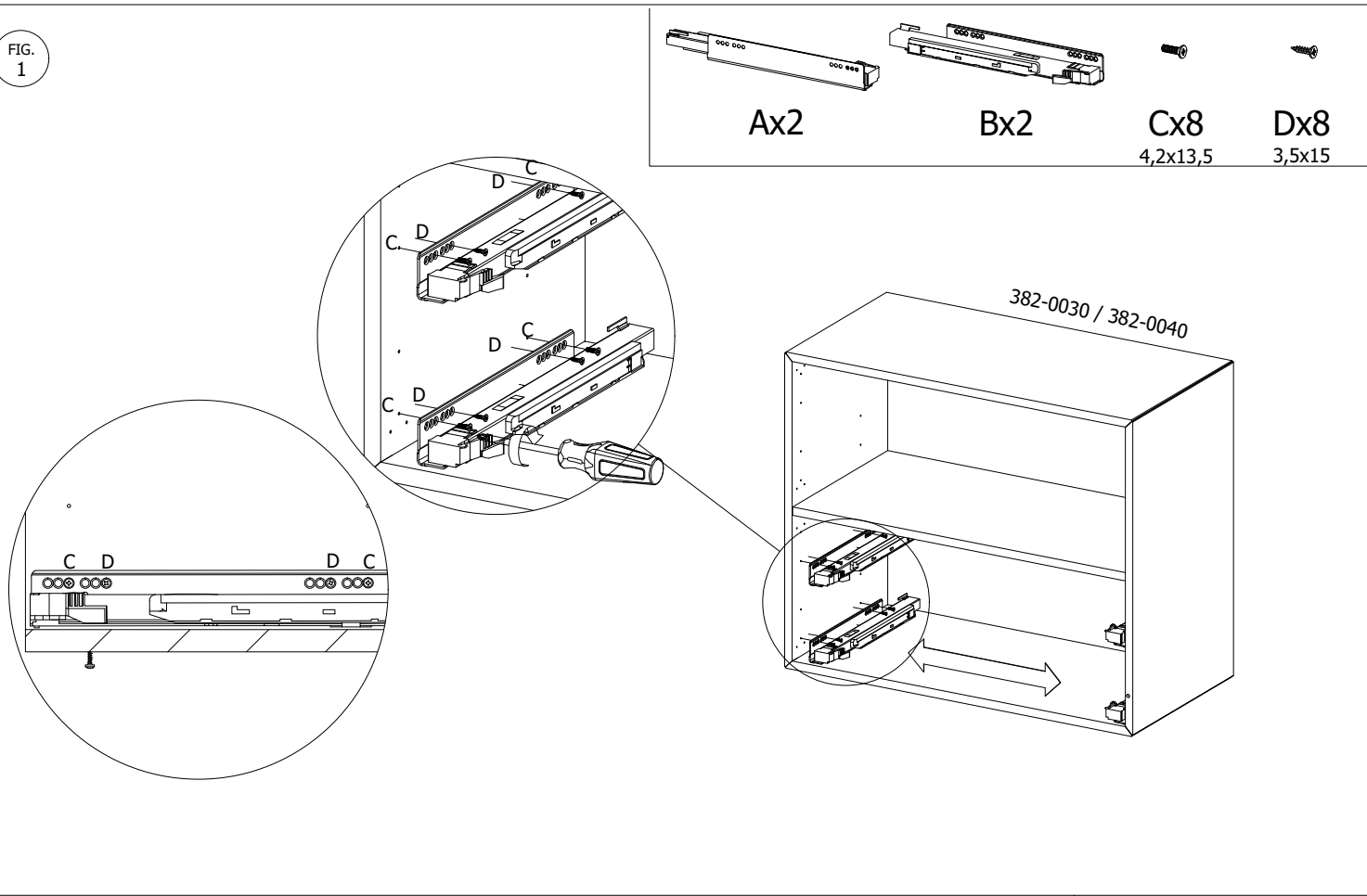


FIG. 2

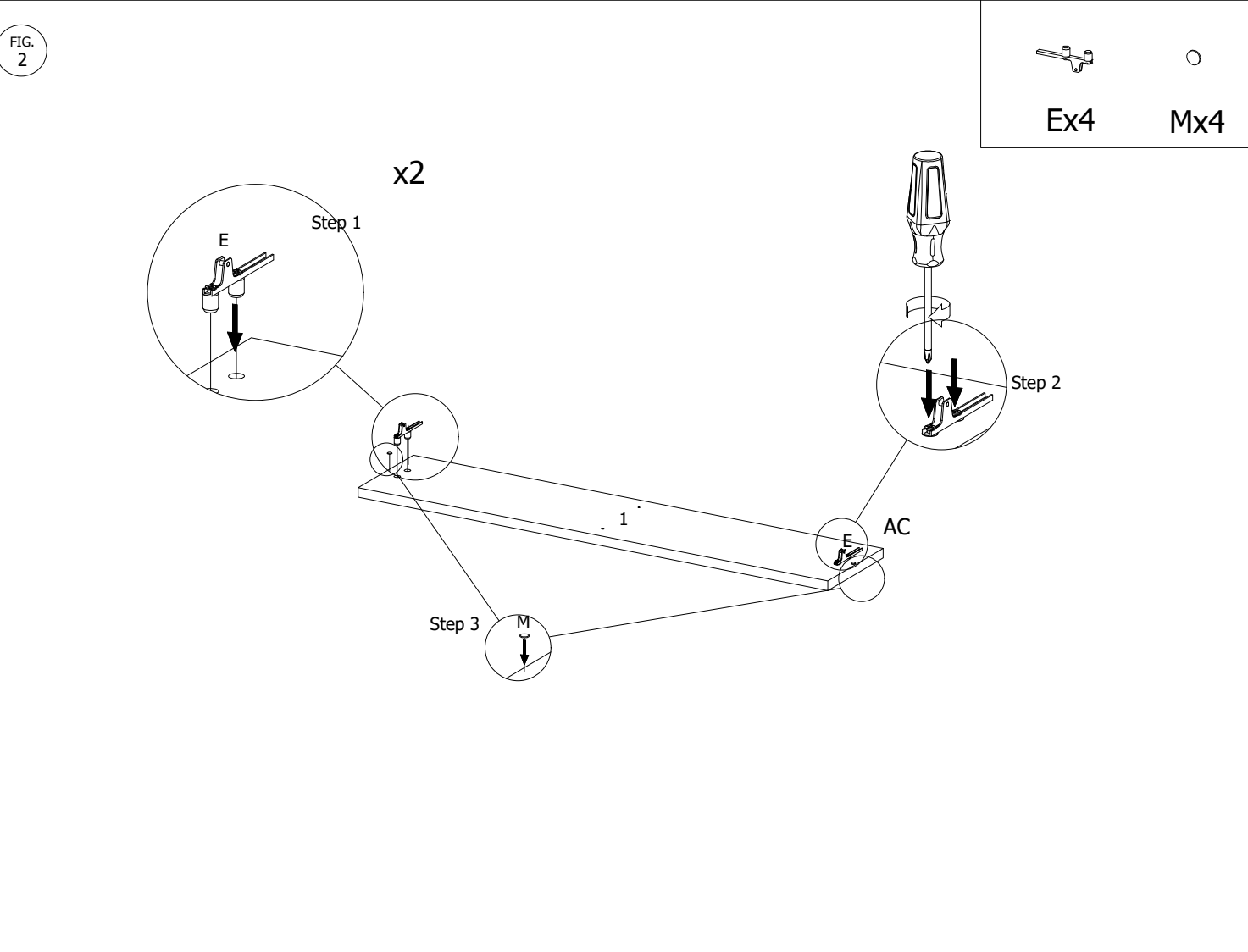


FIG. 3

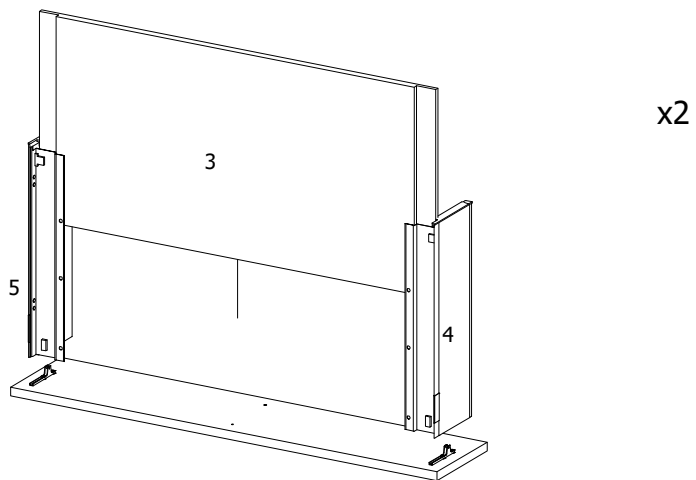
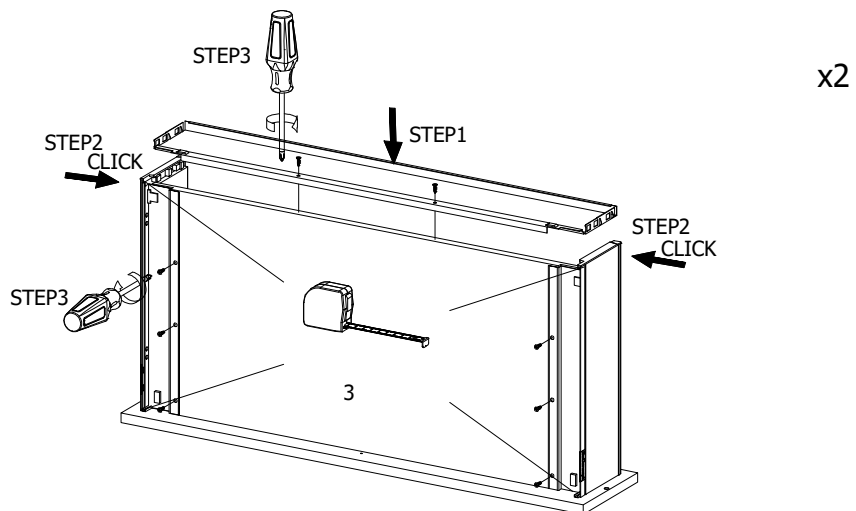
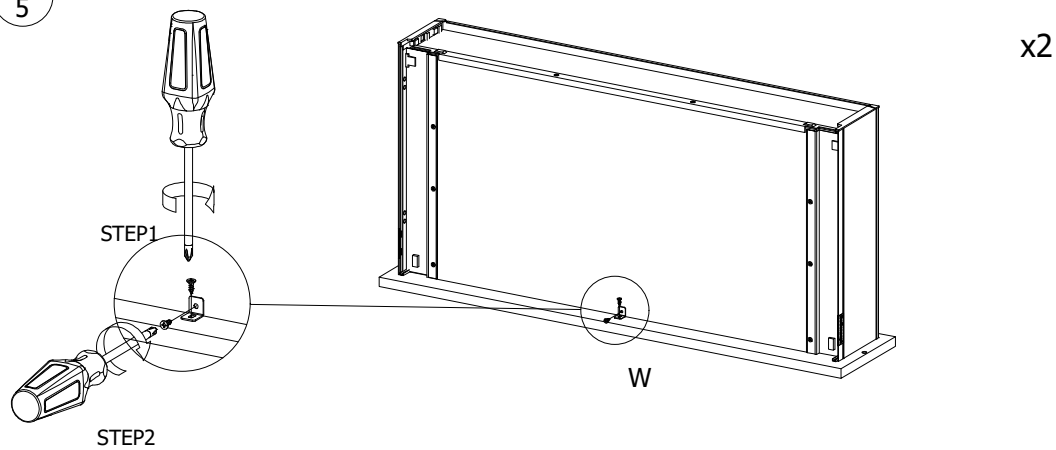


FIG. 4




Dx16
 3,5x15

FIG. 5





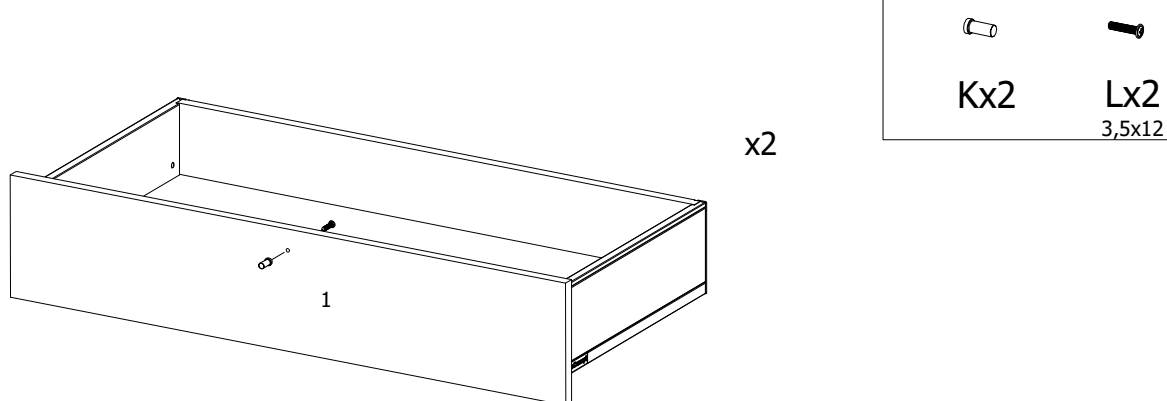
 
Gx2 **Hx4**

FIG. 6





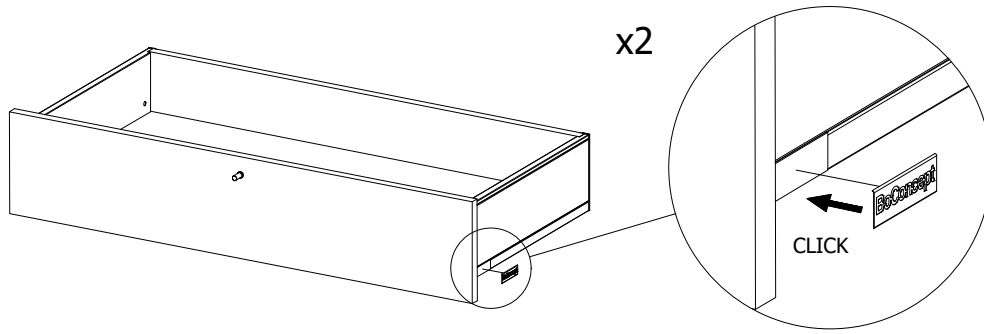
 
Kx2 **Lx2**
 3,5x12

FIG. 7



BoConcept

Fx4

FIG. 8

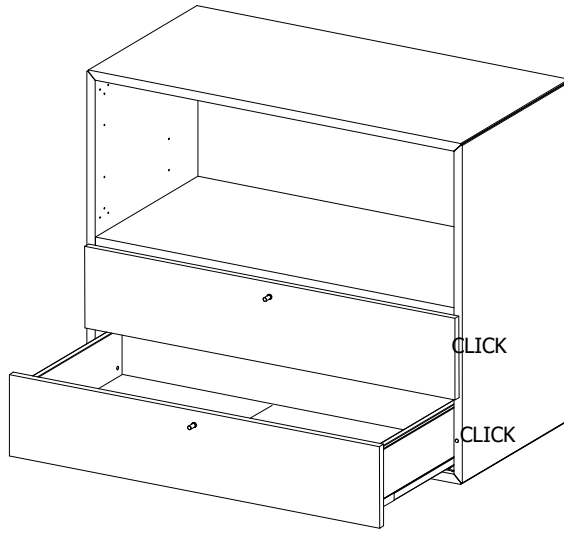
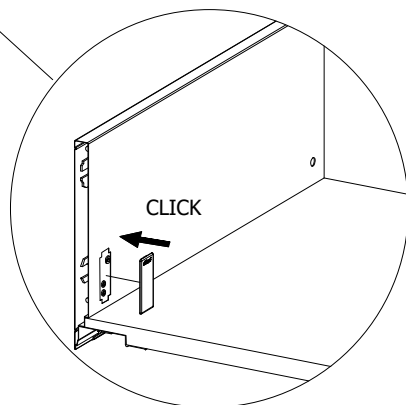
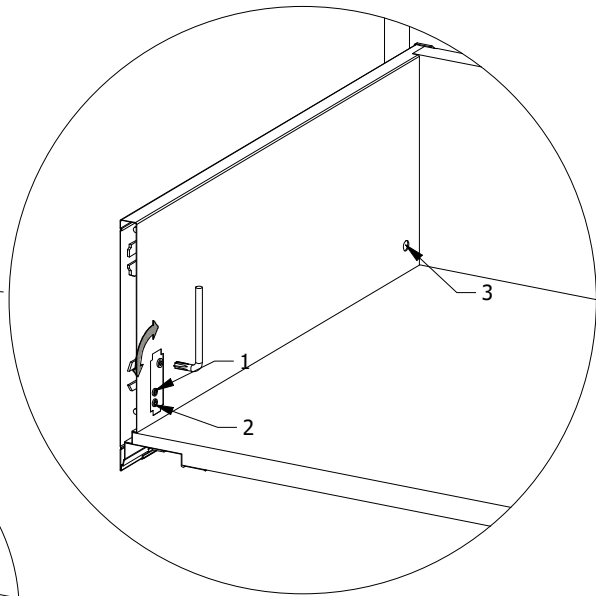
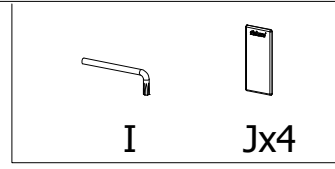
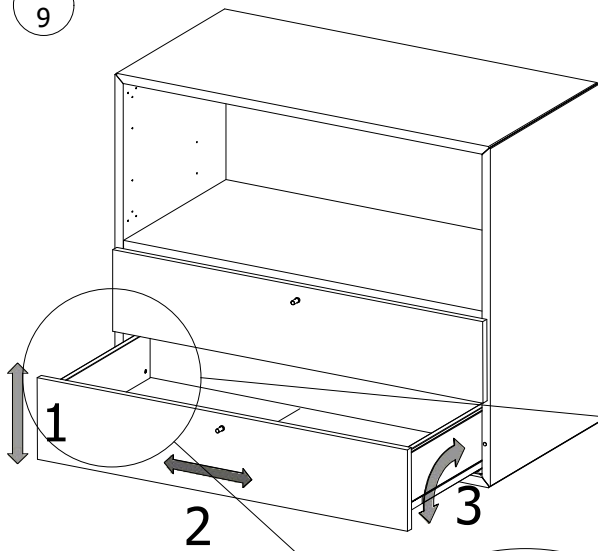
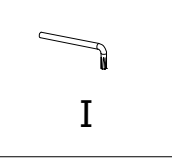
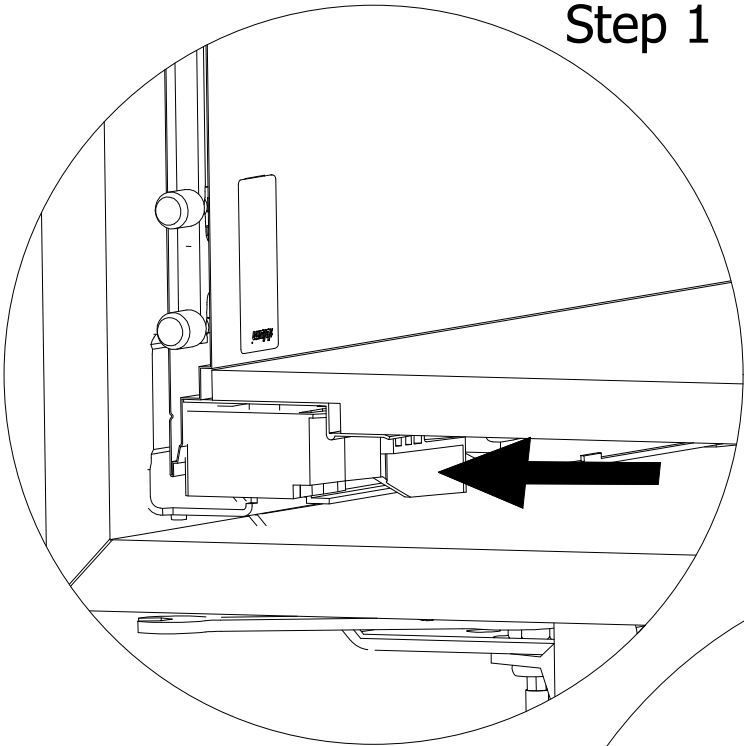


FIG. 9





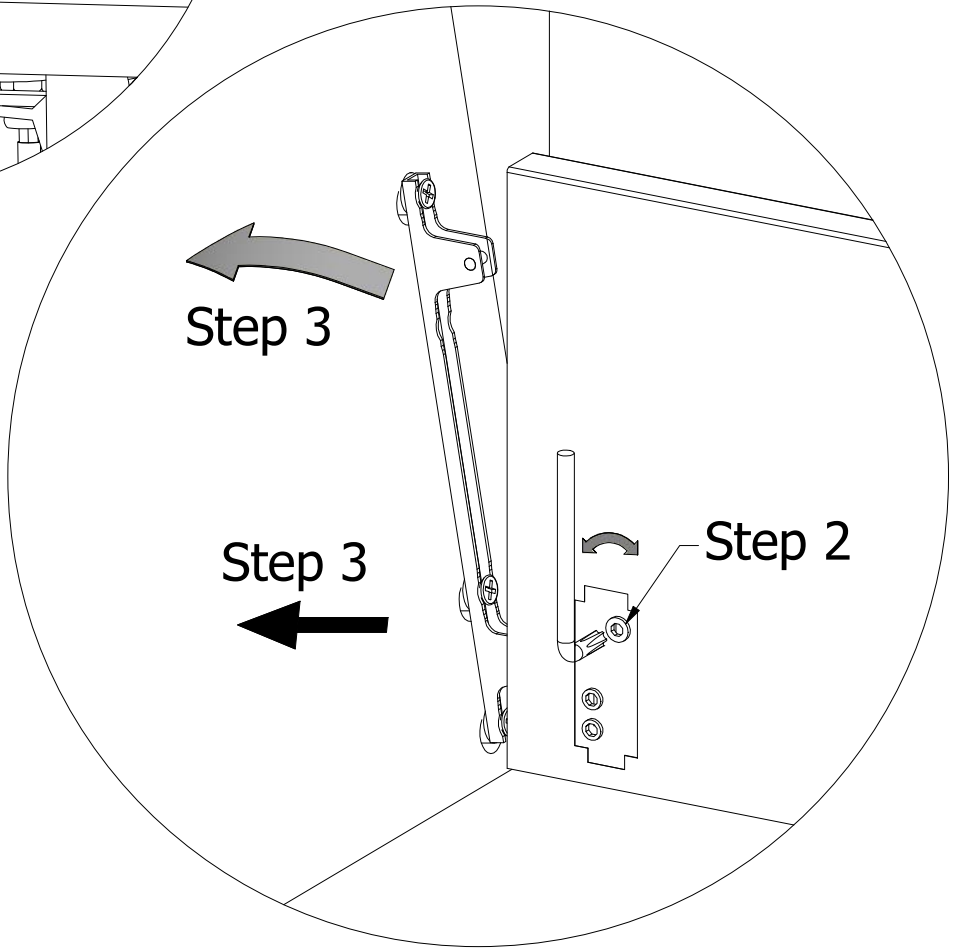
Step 1

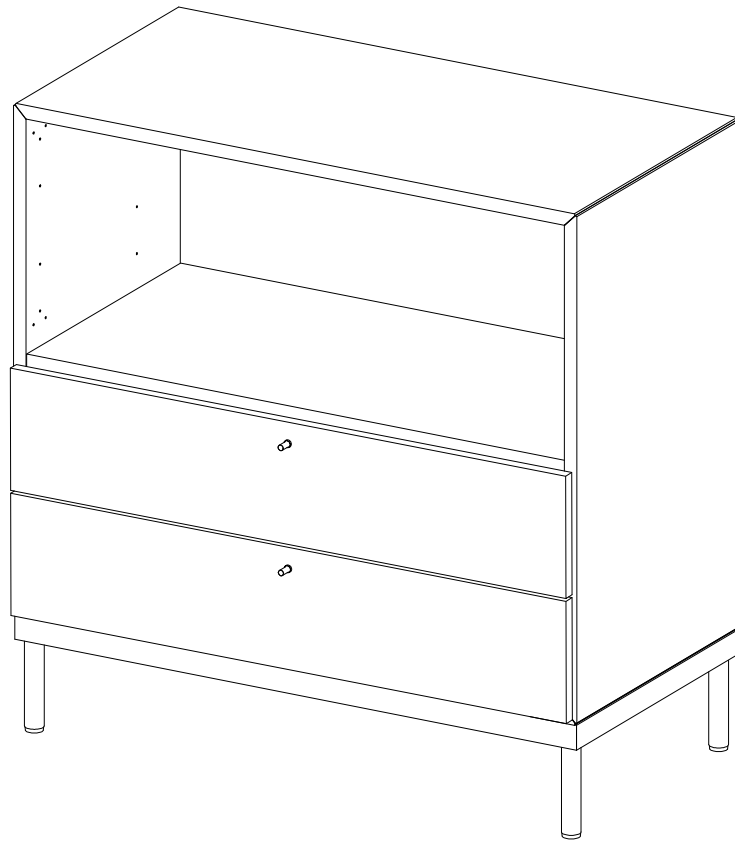


Step 3

Step 3

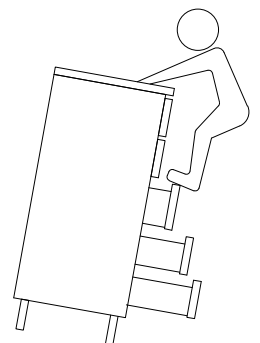
Step 2





WARNING!!!

DO NOT allow children to climb on unit.
Open one drawer at a time.



DK Ved reklamation oplyses følgende:
 D Im Reklamationsfall, bitte folgendes erläutern:
 US In case of claims, please state the following:
 F En cas de réclamation, veuillez indiquer:
 NL Bij service volgene mededelen
 E En caso de reclamación, indicar lo siguiente:
 P No caso de reclamação, por favor indique o seguinte:
 JP お気づきの点等ございましたら、以下の点をお知らせください。

Example!

