

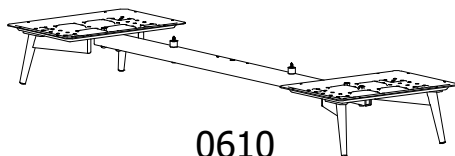
# Lugano

Design by BoConcept

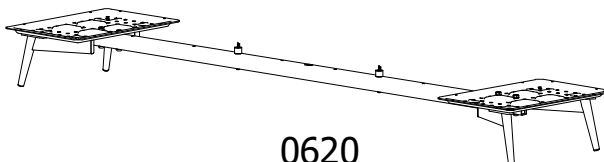
Samlevejledning - Assembly Instructions - Montageanleitung - Instructions d'assemblage - Instrucciones de montaje



**0600**  
H:16,0 cm

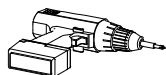


**0610**  
H:16,0 cm



**0620**  
H:16,0 cm

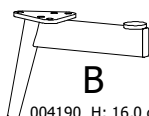
Værktøj - Werkzeuge -  
Tools - Outils



Model 0600



**A**  
002859  
Mounting plate



**B**  
004190 H: 16,0 cm  
002505 H: 28,7 cm  
Leg



**C**  
979900200  
M8x 16 mm



**D**  
979900194  
Washer



**E**  
970000883  
M8 Nut



**F**  
970000786  
4,0 x 16 mm



**G**  
1979300005  
5 mm



**H**  
970001890  
13 mm

Coll. 0612-0622-0632



**J**  
979900251  
M8 x 50 mm



**K**  
970001118  
Washer  
5,0 x 70 mm



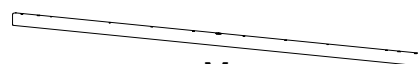
**L**  
970000838  
5,0 x 70 mm



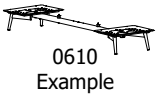
**D**  
979900194  
Washer



**E**  
970000883  
M8 Nut

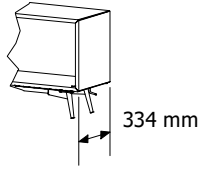


**M**  
no. 0612 = 002870  
no. 0622 = 002868  
no. 0632 = 002863

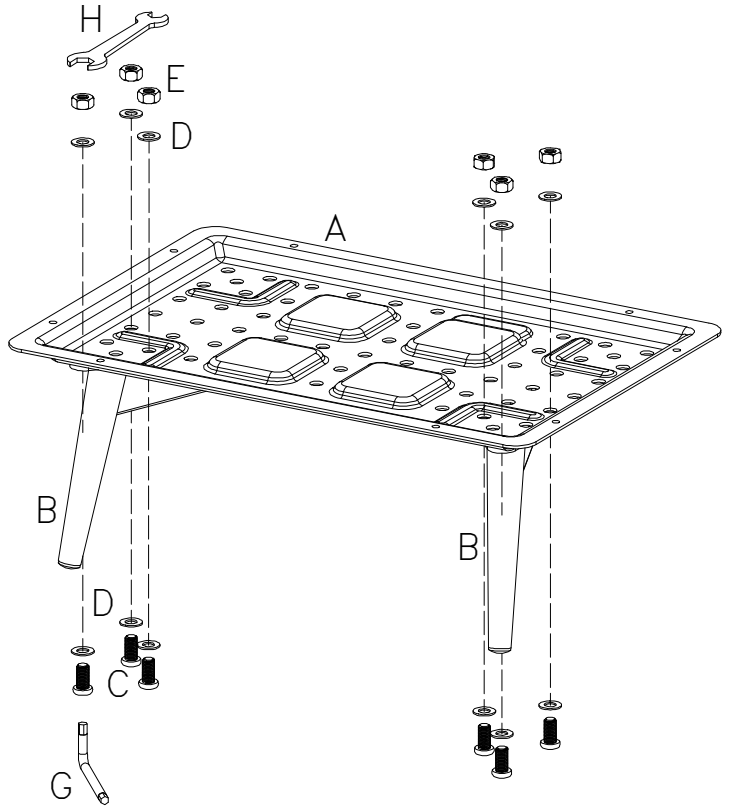
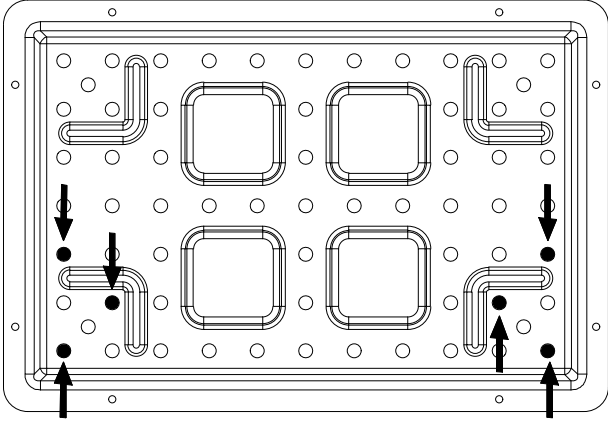


Example A

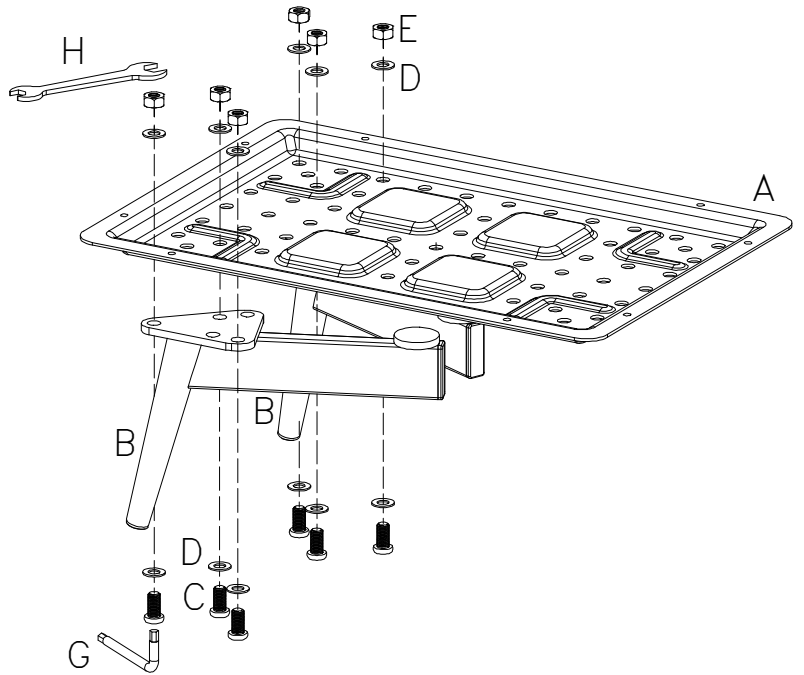
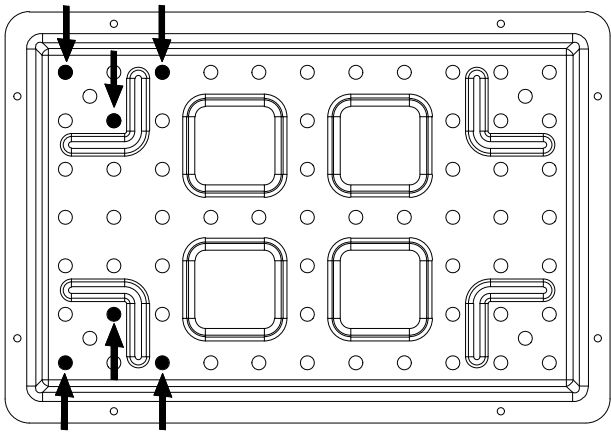
Example B

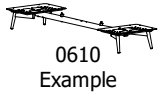


Example A

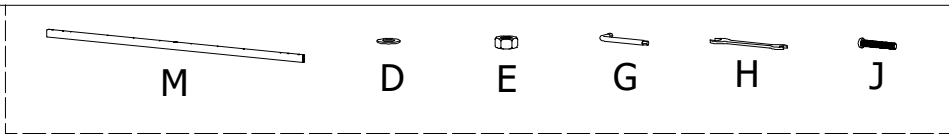


Example B

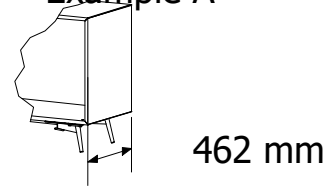




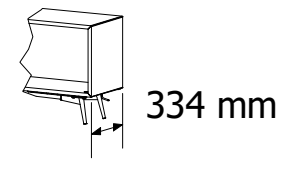
0610 Example



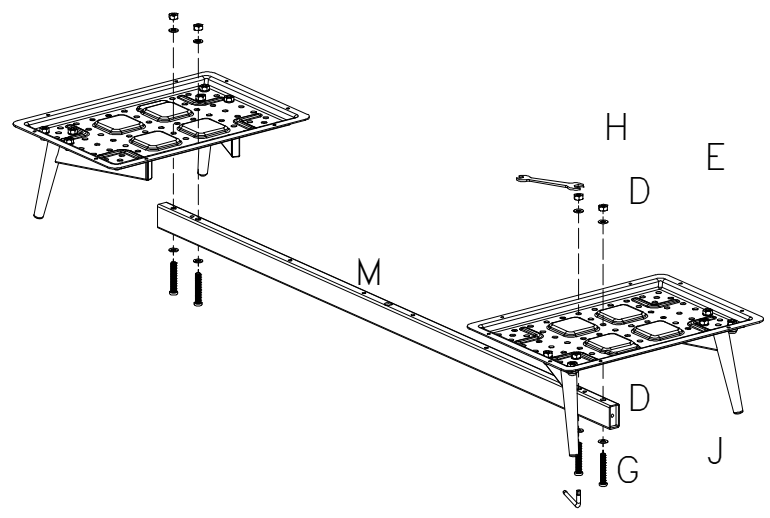
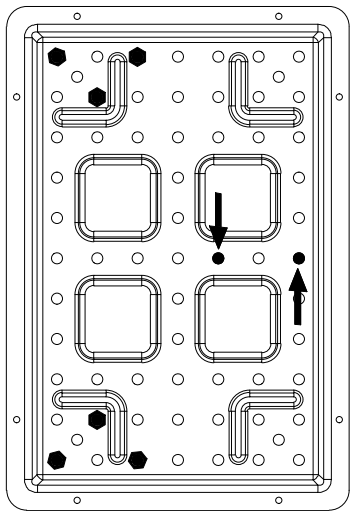
Example A



Example B



Example A



Example B

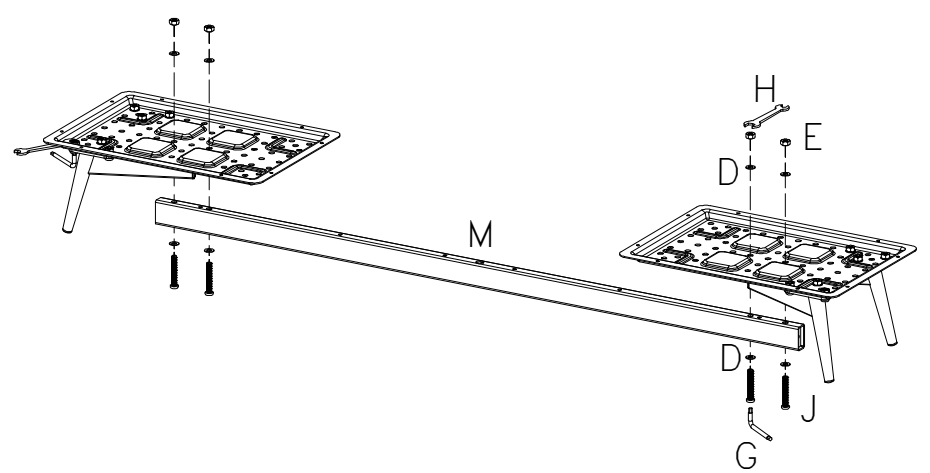
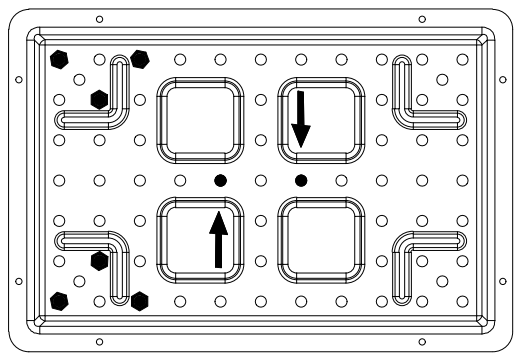
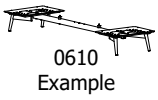


FIG.  
3



H ( 1 : 10 )



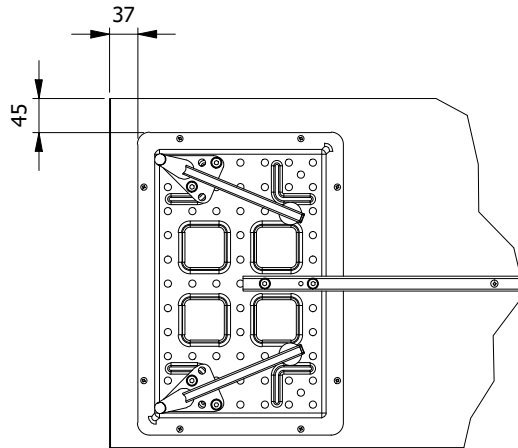
F



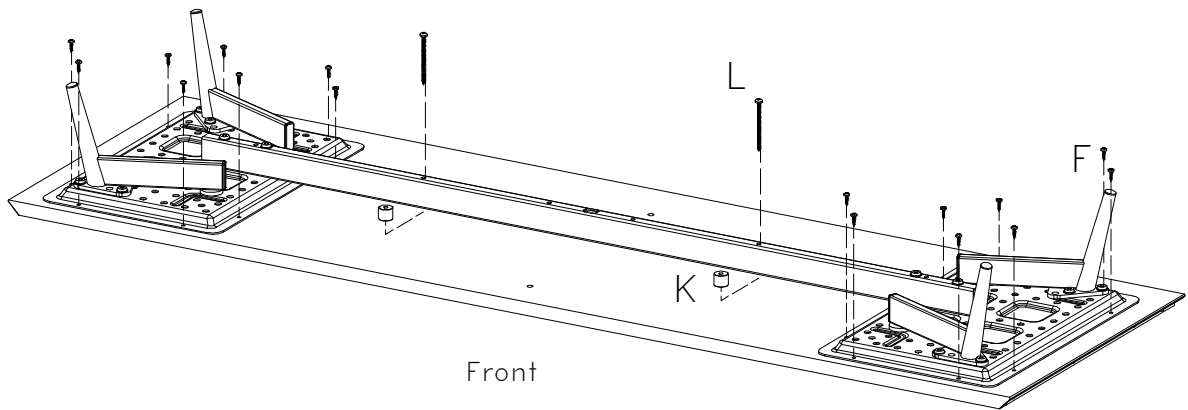
K



L



Front



Front

DK Ved reklamation oplyses følgende:

D Im Reklamationsfall, bitte folgendes erläutern:

US In case of claims, please state the following:

F En cas de réclamation, veuillez indiquer:

NL Bij service volgene mededelen

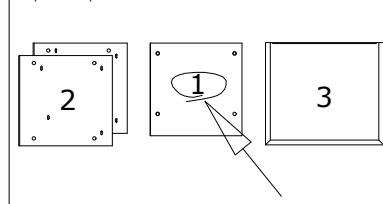
E En caso de reclamación, indicar lo siguiente:

P No caso de reclamação, por favor indique o seguinte:

JP お気づきの点等ございましたら、以下の点をお知らせください。

Example!

Korpus - Korpus - Carcase - Carcasse



Beslag - Fittings - Beschläge - Set de Montage

