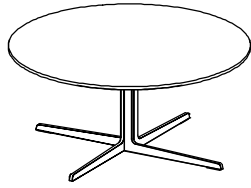


Sevilla

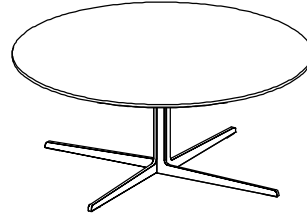
Design by BoConcept

Samlevejledning - Assembly Instructions - Montageanleitung - Instructions d'assemblage - Instrucciones de montaje



AD28 and AD29

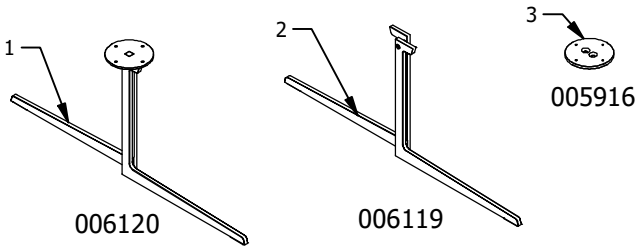
1850/1690 and 1850/1710
H37 x Ø80 cm
Max weight 15 KG



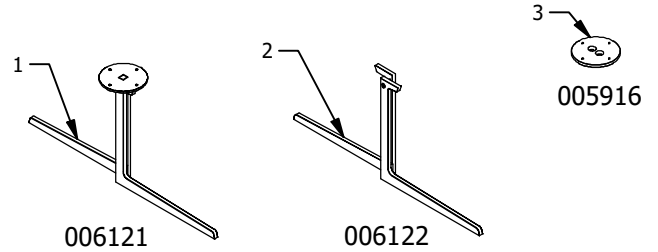
AD30 and AD31

1840/1670 and 1840/1700
H42 x Ø99 cm
Max weight 15 KG

Colli no. 1840



Colli no. 1850



Fitting bag: 937000113
Colli no. 1840 + 1850



A x 1

970001346

Button head hex screw M6x45mm



B x 1

970001894

Spring washer D10 d6x1,6mm

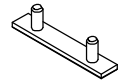


C x 2

970001895

Hex head screw M6x16mm

Spare part bag: 937000123



4 x feet
970001866



D x 2

970001876

Hex screw countersunk M10x16mm



E x 2

970001896

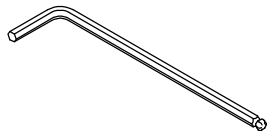
Hex screw countersunk M10x12mm



F x 4

970001594

Screw ma M6x12



G x 1

970001210

Allen key 4 mm 114 round head



H x 1

970003123

Allen key 6, 96x38mm

FIG. 1

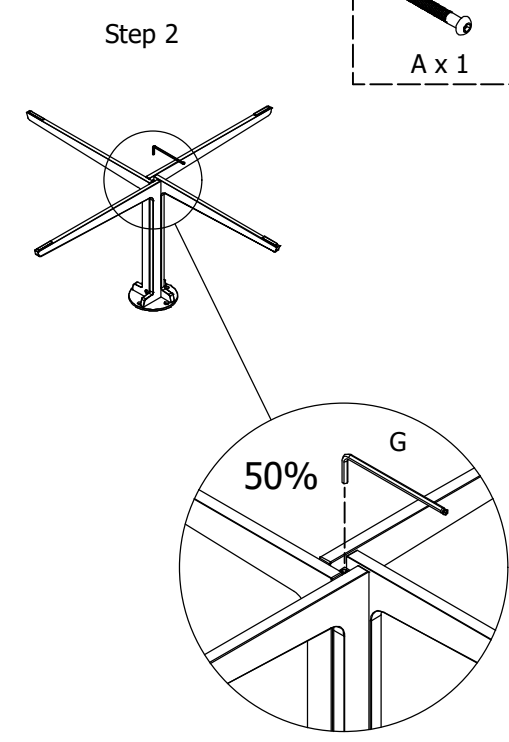
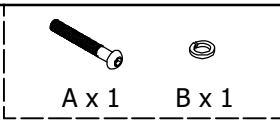
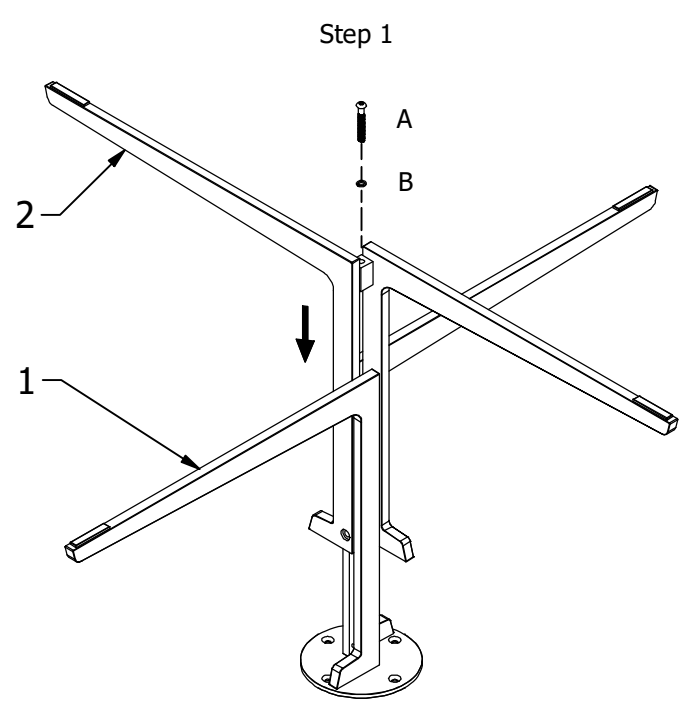


FIG. 2

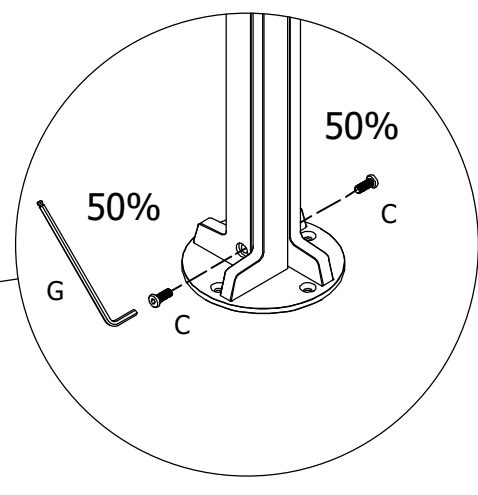
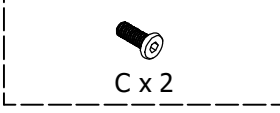
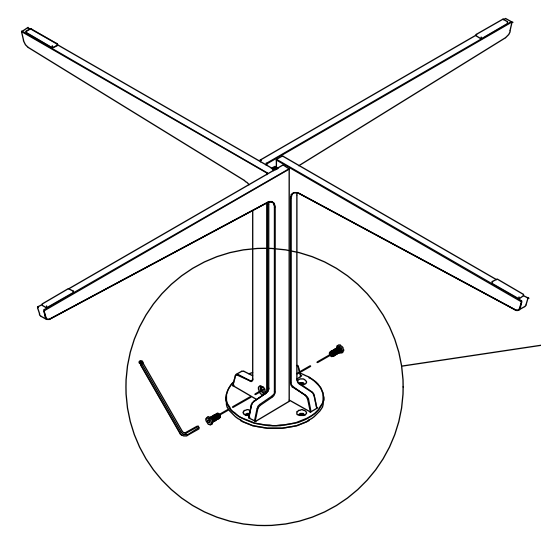


FIG. 3

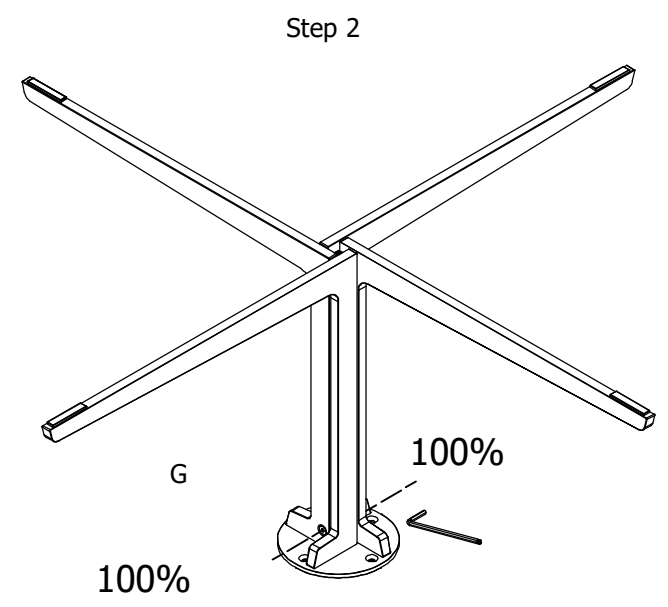
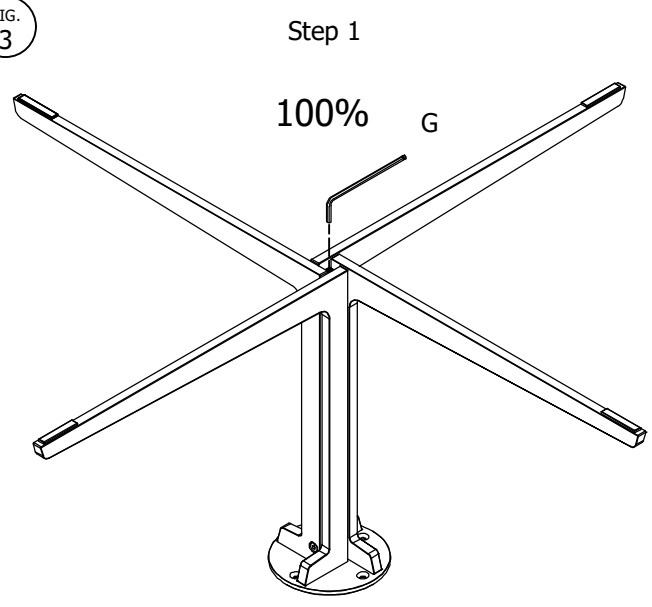
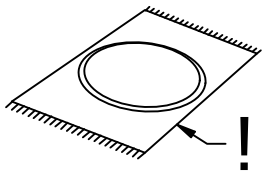


FIG. 4

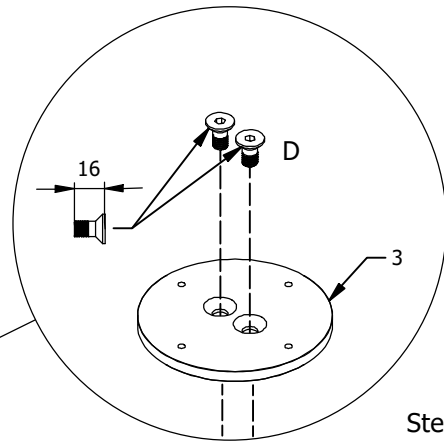
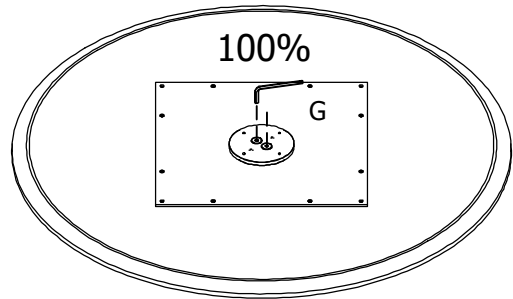
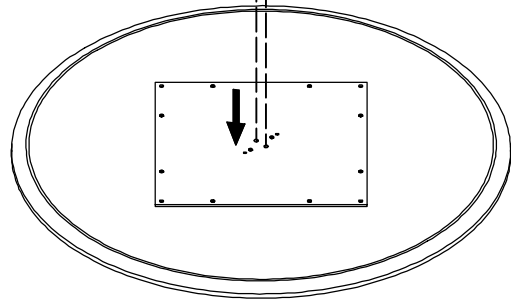
370-1700
370-1710



D x 2

Step 1

Step 2



E x 2

370-1670
370-1690

Step 1

Step 2

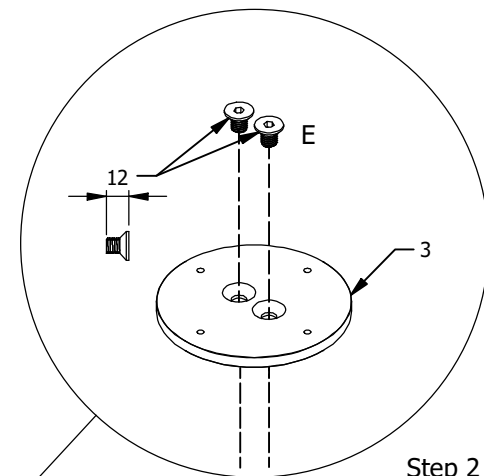
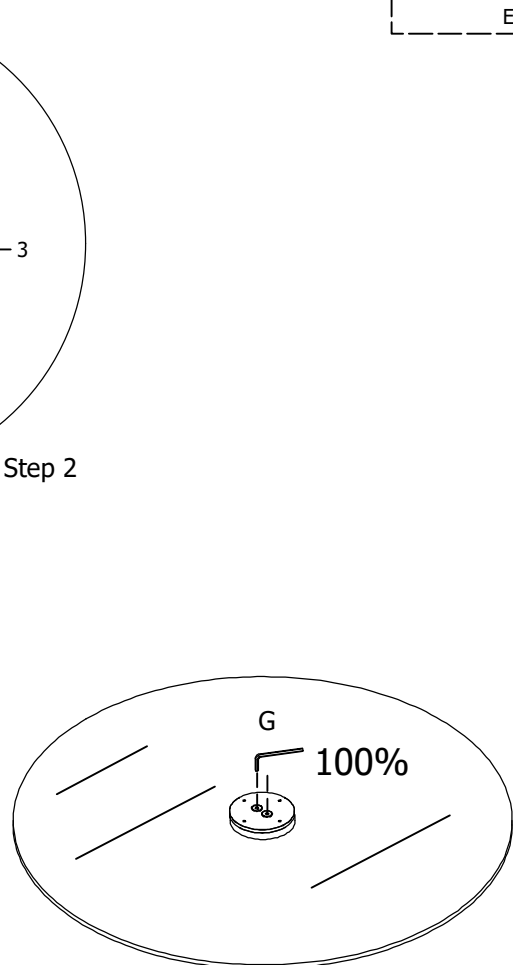
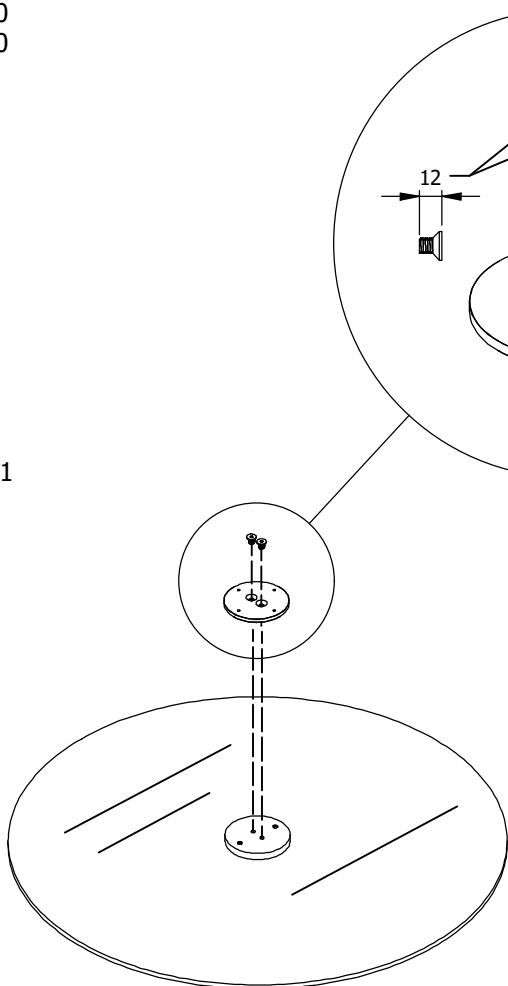


FIG.
5

F x 4

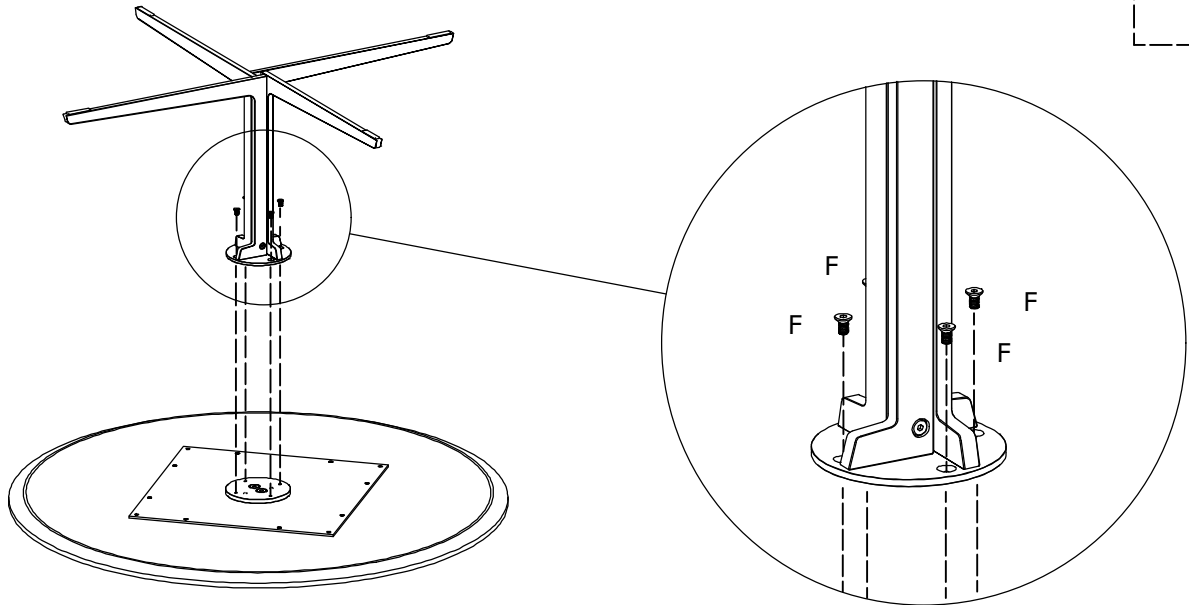
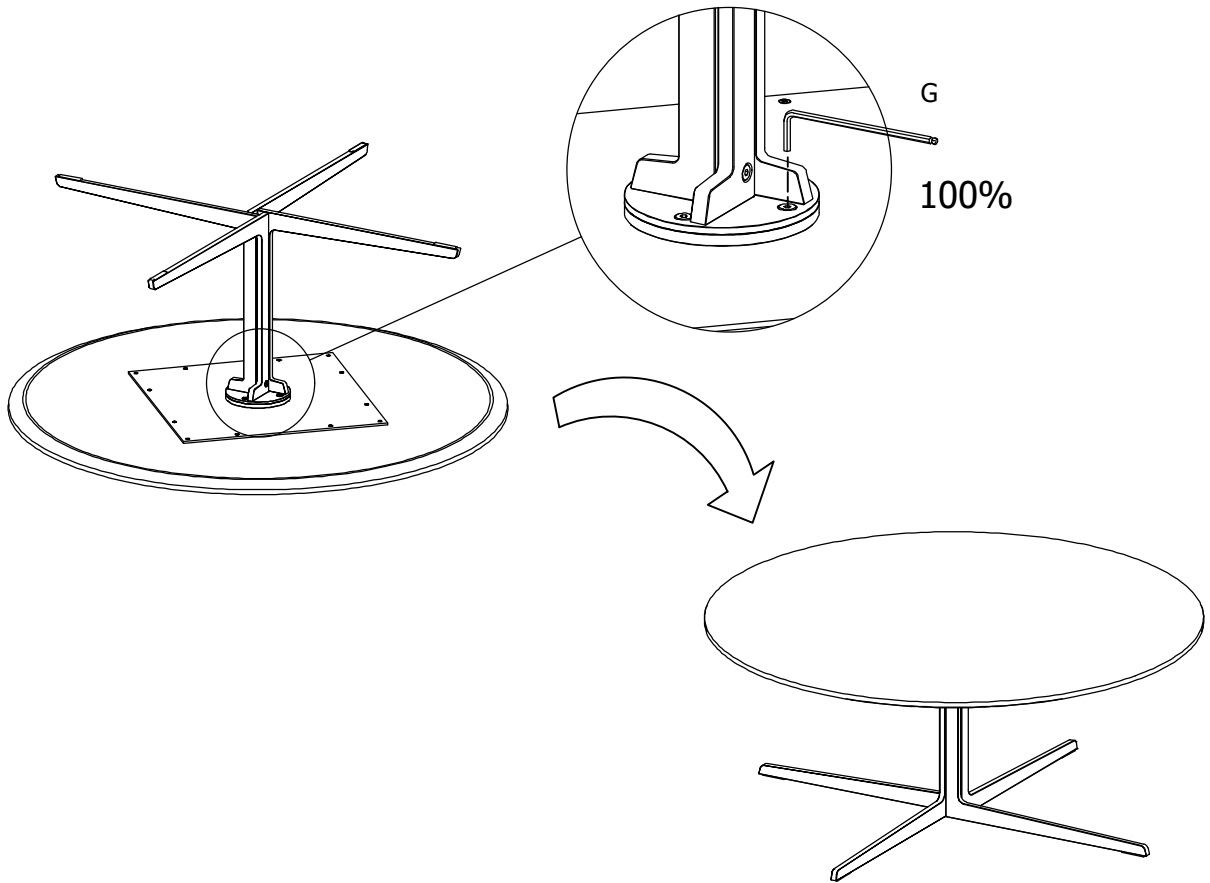


FIG.
6



DK Ved reklamation oplyses følgende:

D Im Reklamationsfall, bitte folgendes erläutern:

US In case of claims, please state the following:

F En cas de réclamation, veuillez indiquer:

NL Bij service volgense mededelen

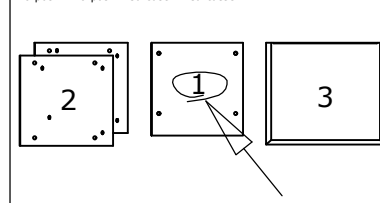
E En caso de reclamación, indicar lo siguiente:

P No caso de reclamação, por favor indique o seguinte:

JP お気づきの点等ございましたら、以下の点をお知らせください。

Example!

Korpus - Korpus - Carcase - Carcasse



Beslag - Fittings - Beschläge - Set de Montage

