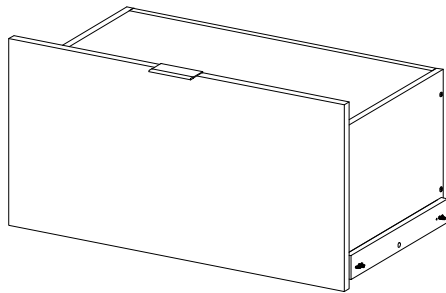


Copenhagen

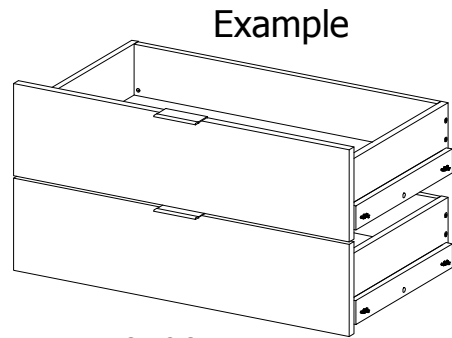
Design by BoConcept

Samlevejledning - Assembly Instructions - Montageanleitung - Instructions d'assemblage - Instrucciones de montaje



0180

31,6x61,5x34,4 / Max. 10 kg



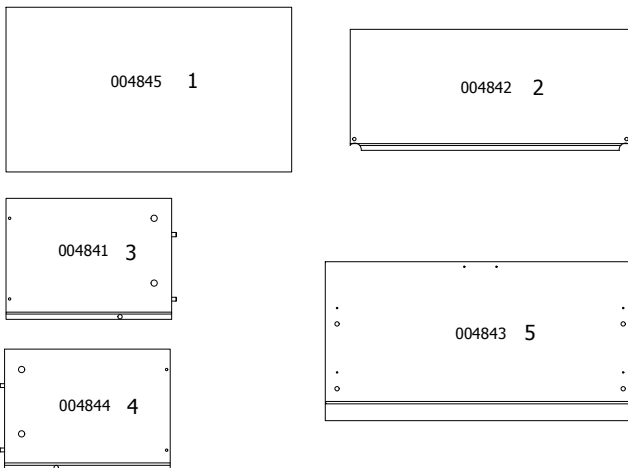
Example

0190

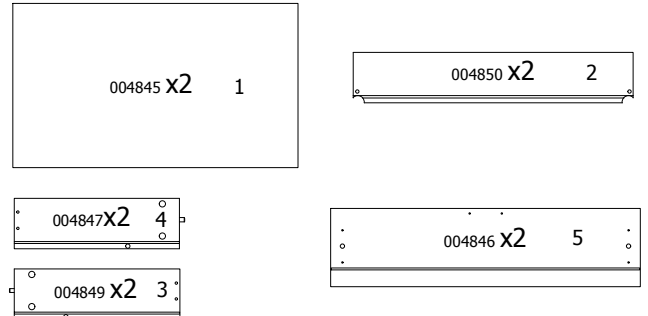
31,6x61,5x34,4 / Max. 10 kg

Korpus - Korpus - Carcase - Carcasse

Col. 0181



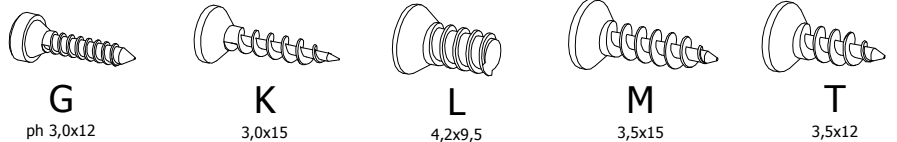
Col. 0191



Værktøj - Werkzeuge - Tools - Outils



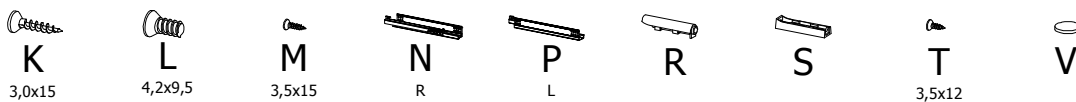
Detail view fittings.



Beslag - Beschläge - Fittings - Set de montage



Colli	970001585	1978054240	970001056	970001204	1972000009	970000849	1978103012	970000764	970001578
0181	2	4	4	4	4	1	2	4	1
0191	4	8	8	8	8	2	4	8	2



Colli	1978003015	1978204210	1978003516	970000851	970000850	970001593	970000777	970000657	1979000000
0181	2	2	8	1	1	1	1	2	2
0191	4	4	16	2	2	1	1	2	4

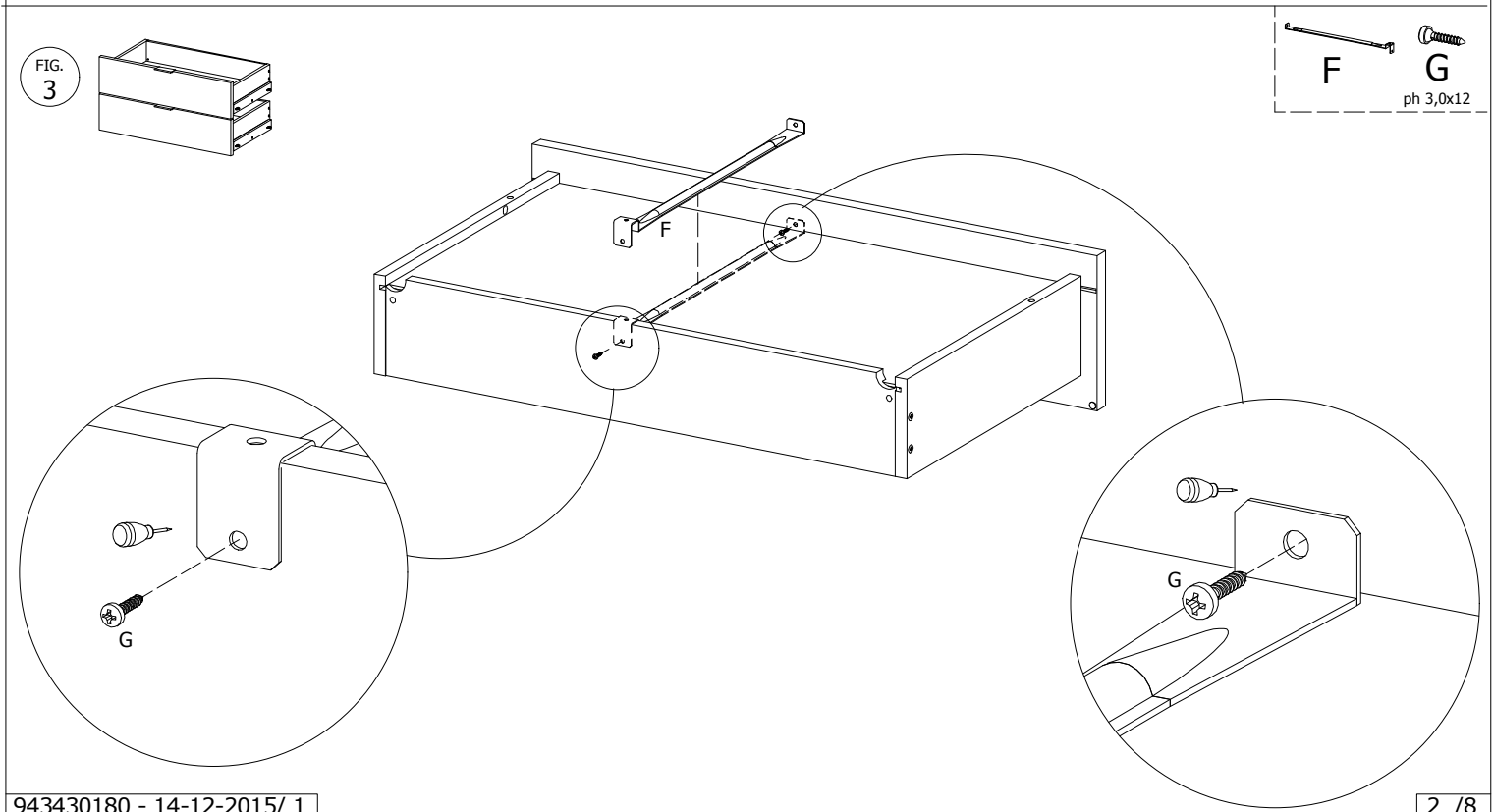
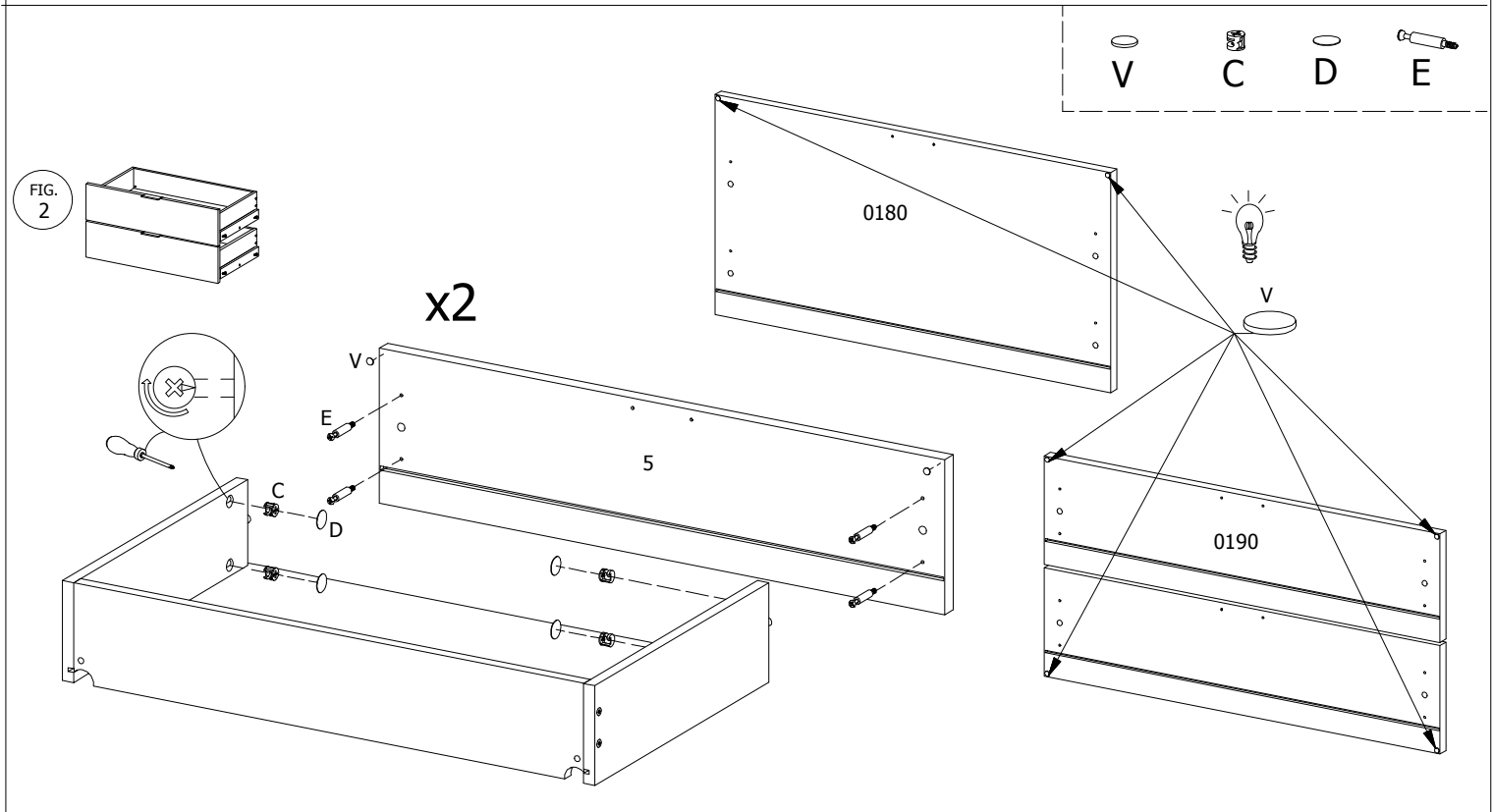
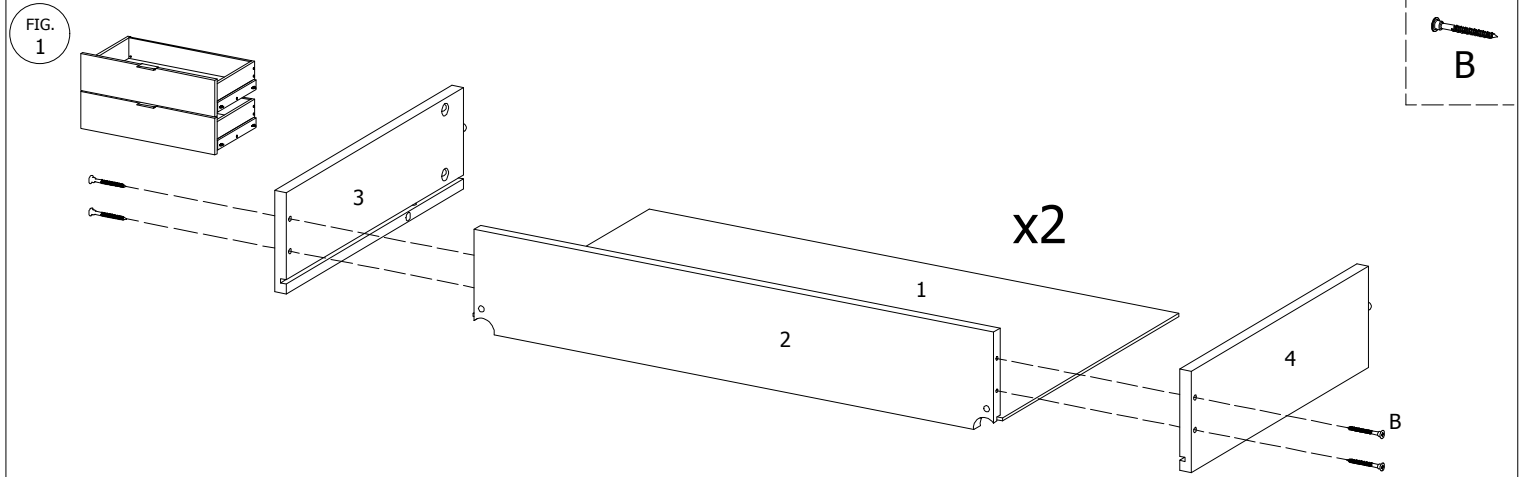
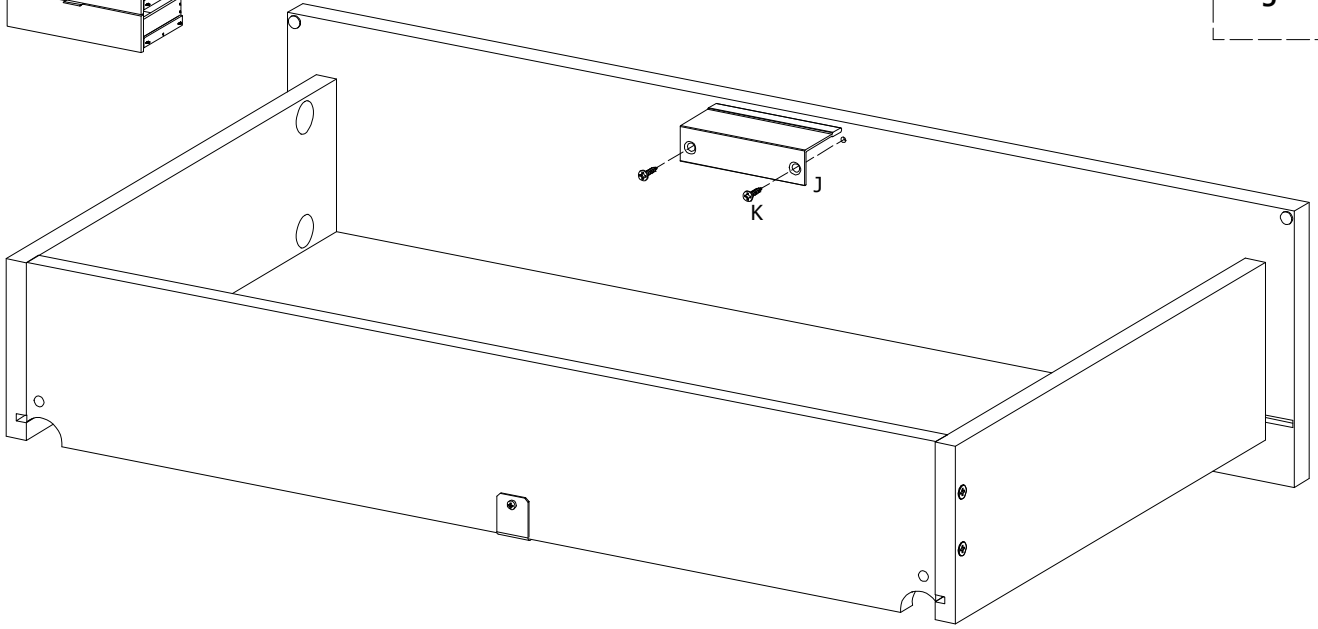
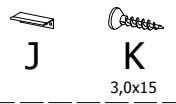
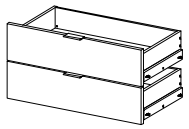
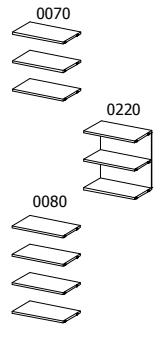
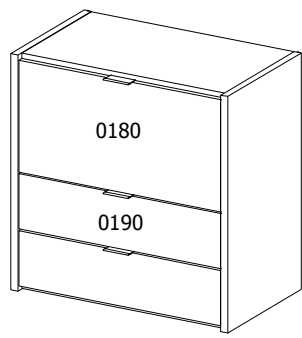


FIG. 4



0180-0190 in 0070-0080-0220 →

FIG. 5



0180-0190 in 0090-0100-0200-0210-0270 →

FIG. 8

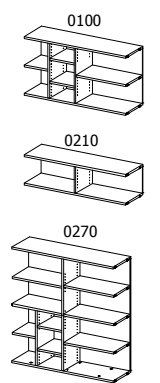
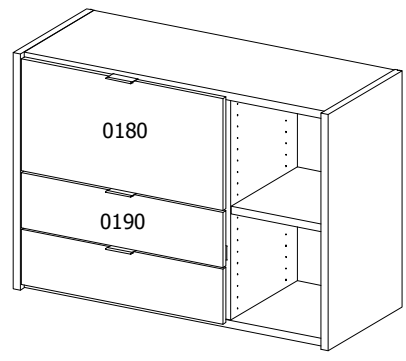
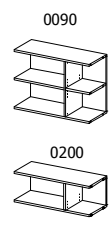


FIG. 5

Attention

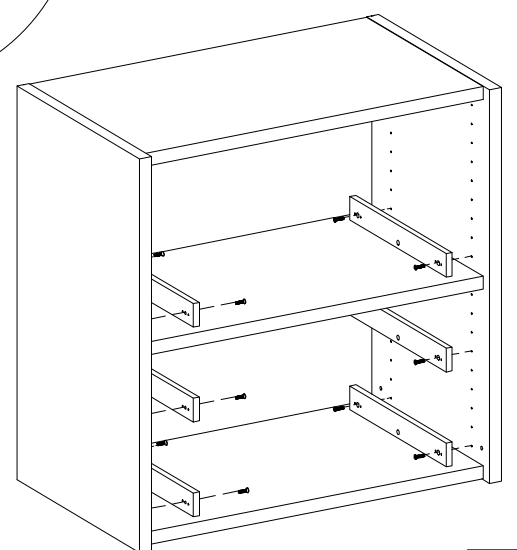
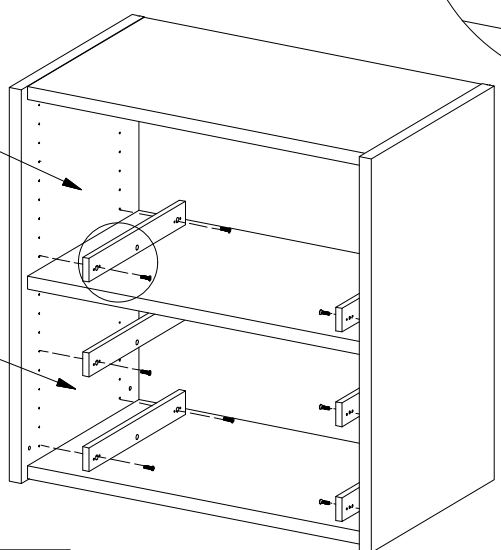
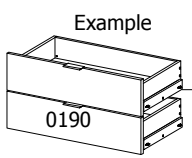
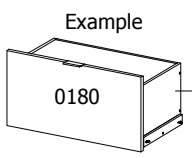
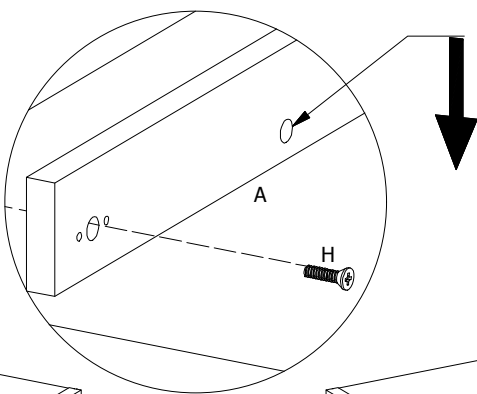
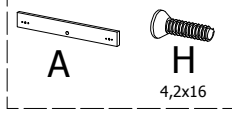
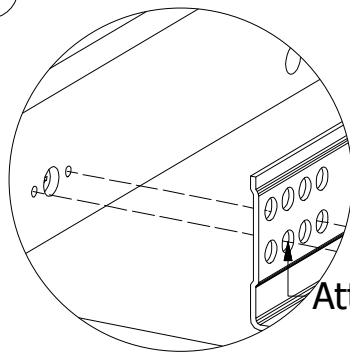


FIG. 6

Attention



Attention nr.2

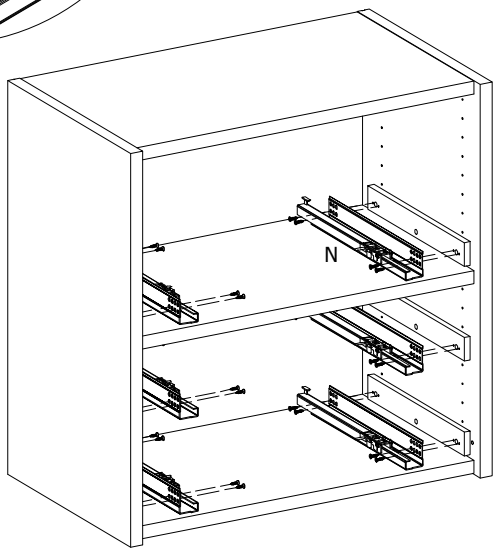
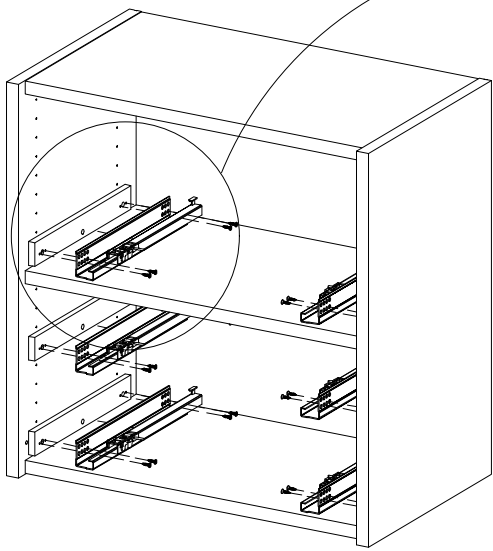
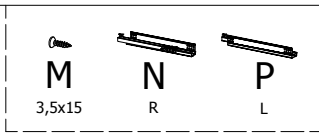
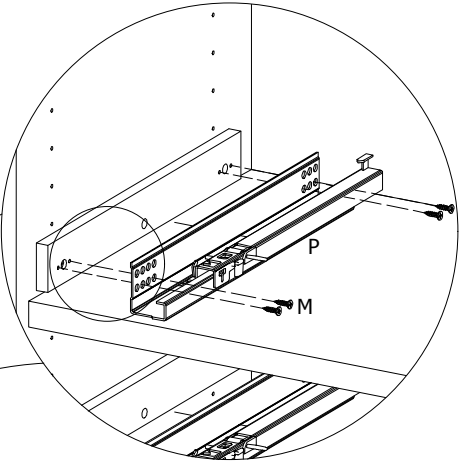


FIG. 7

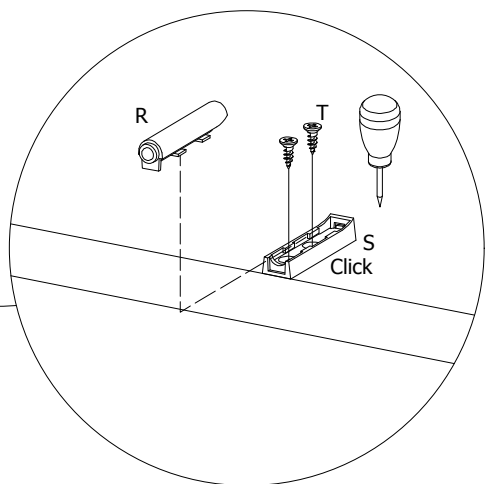
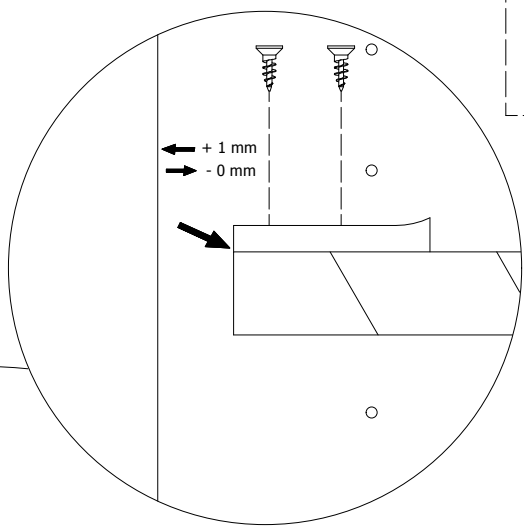
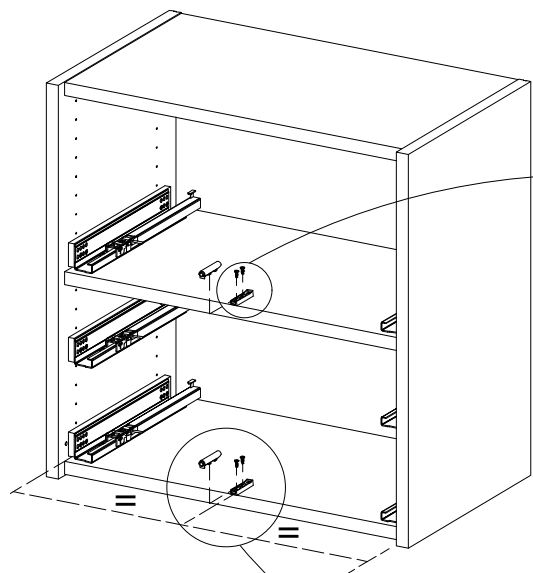
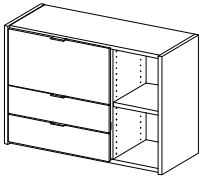
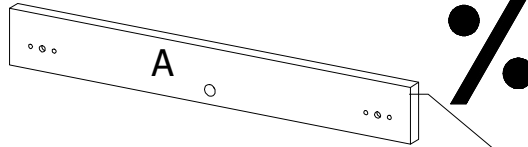
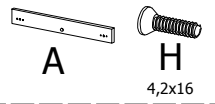


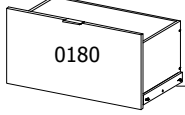
FIG. 11



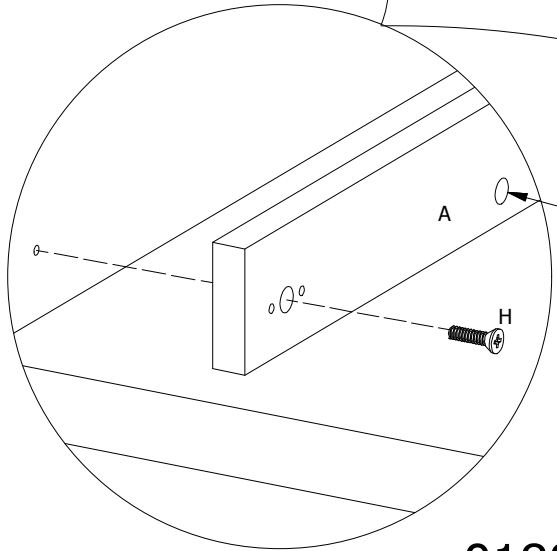
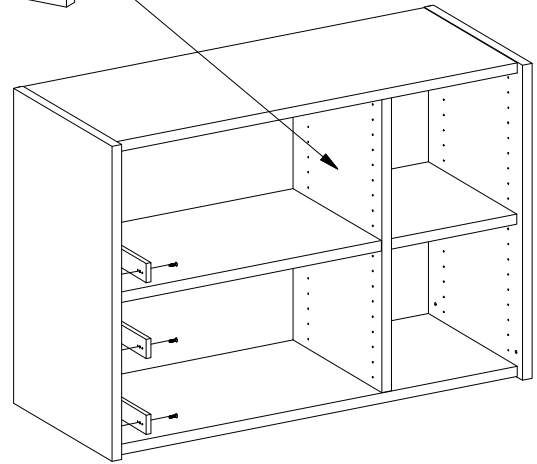
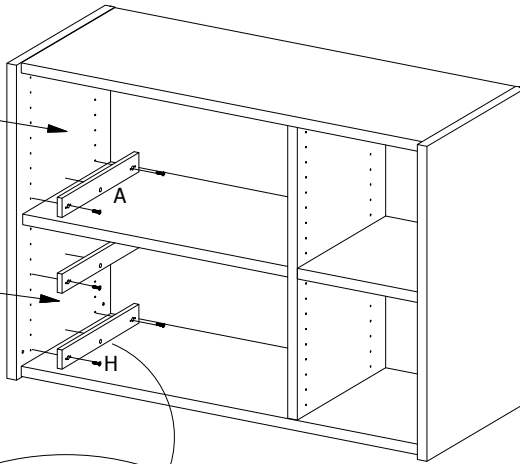
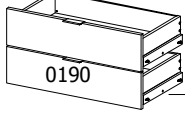
Attention
0180-0190 in 0090-0200



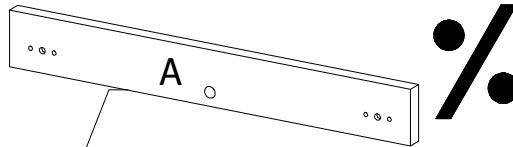
Example



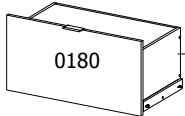
Example



Attention
0180-0190 in 0100-0210



Example



Example

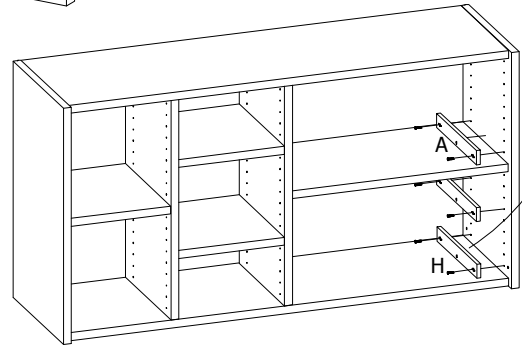
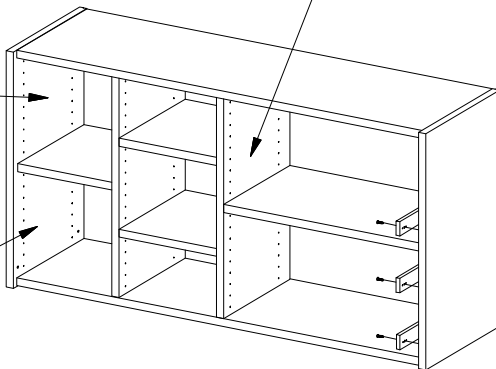
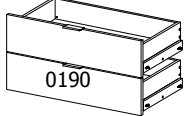


FIG. 9 Example

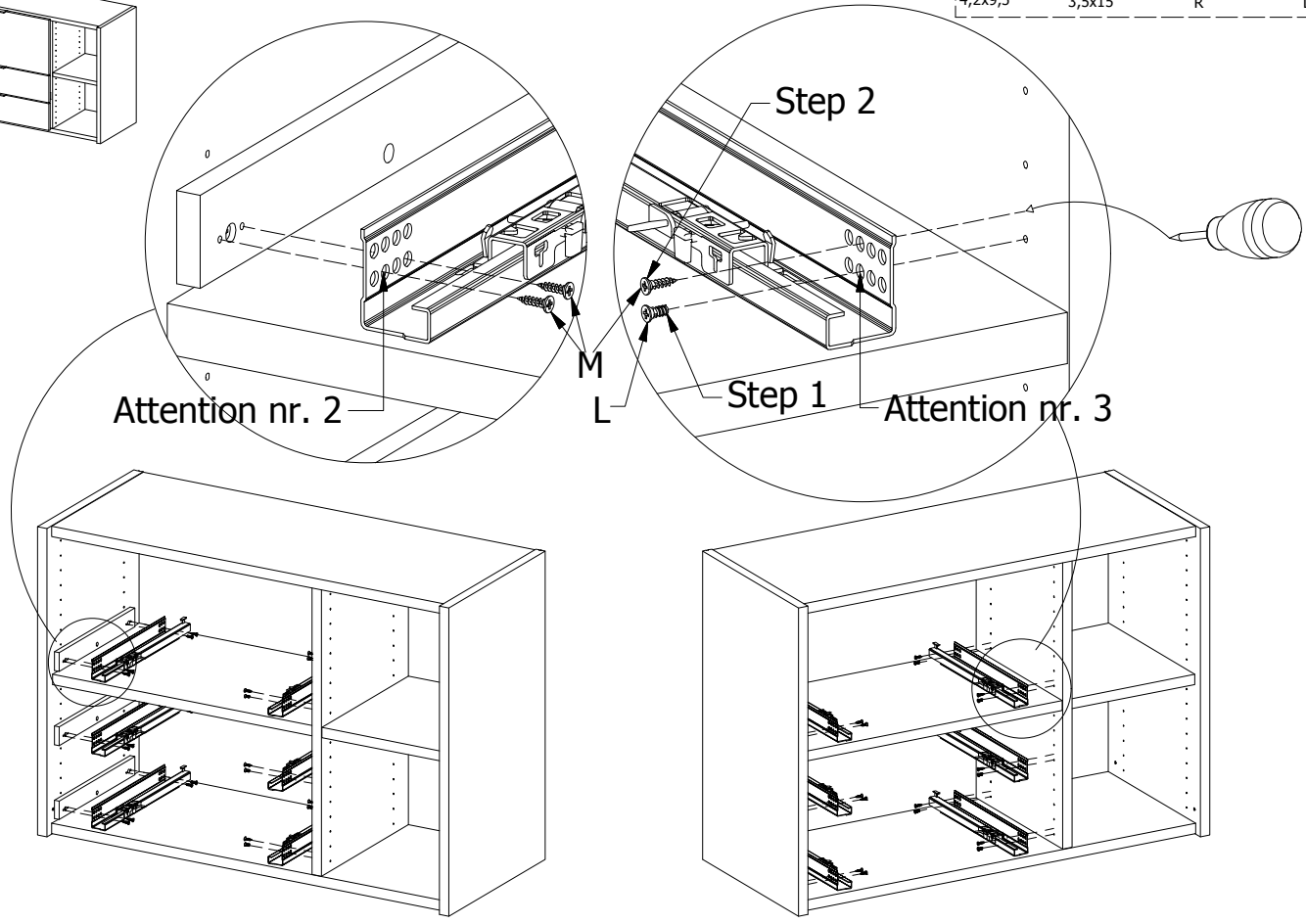
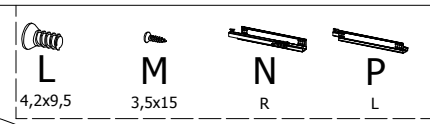
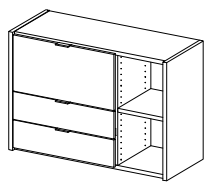


FIG. 10

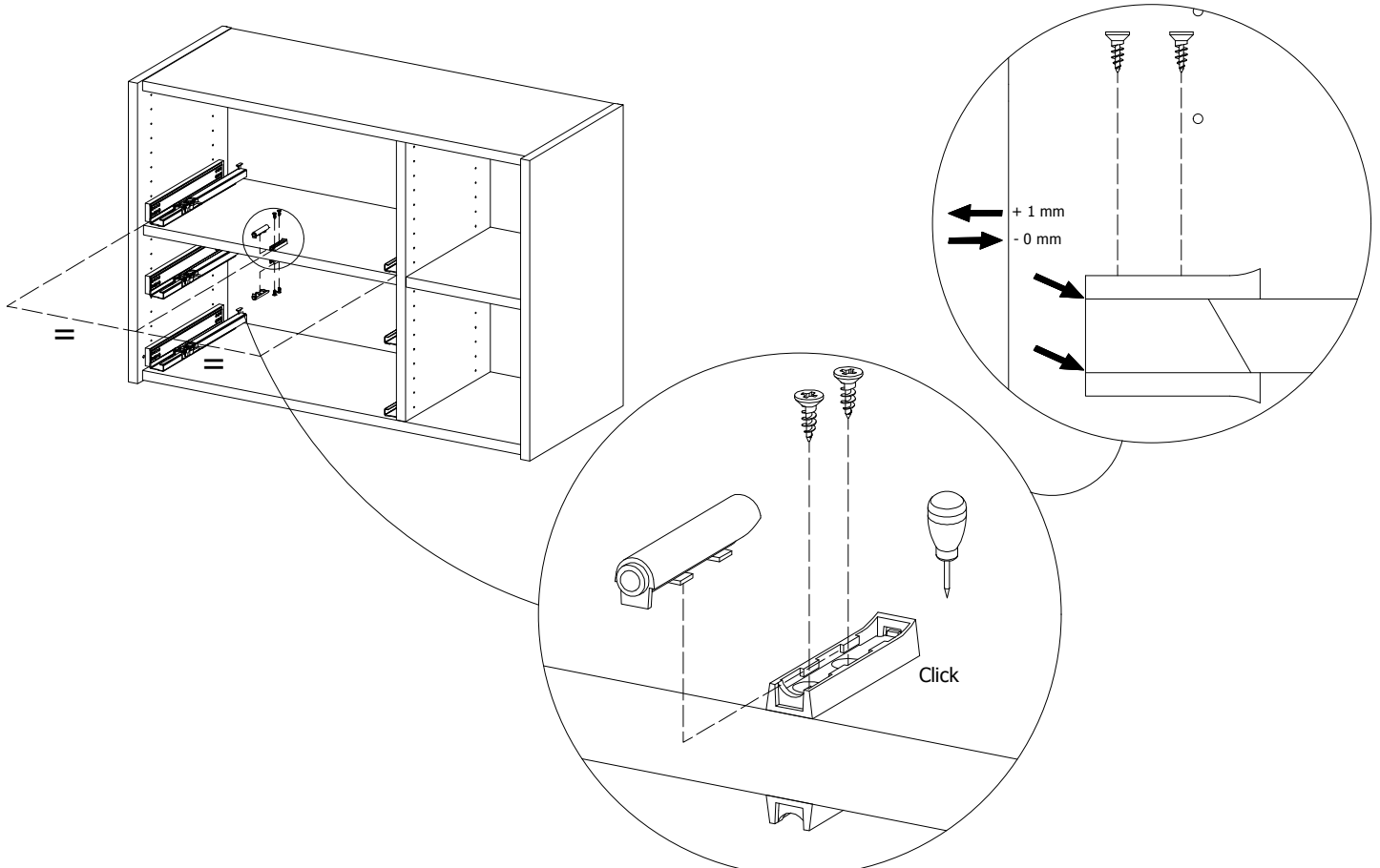
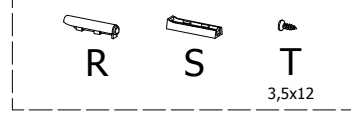
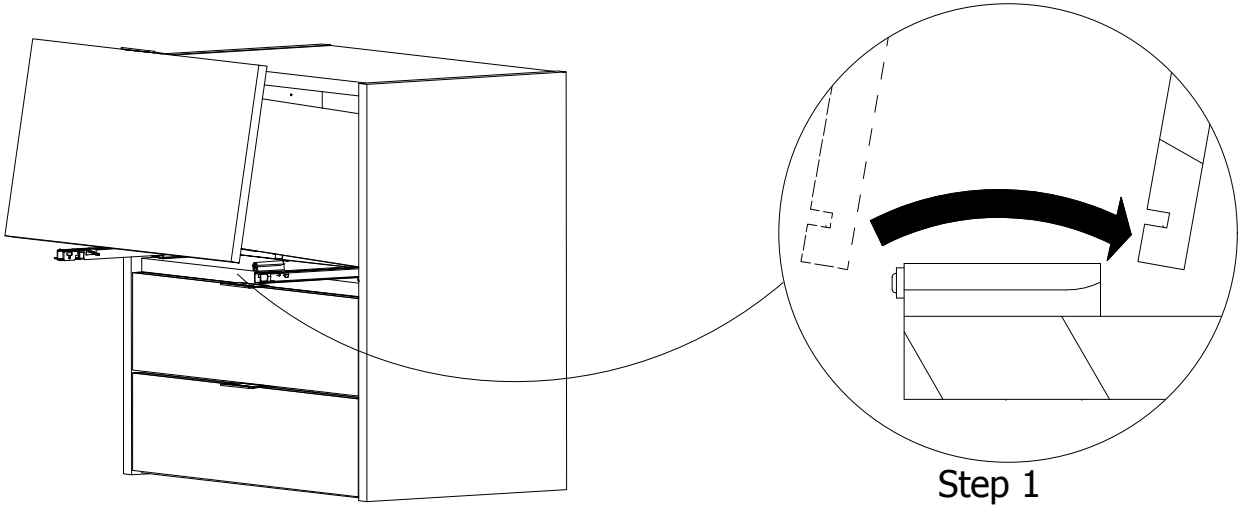
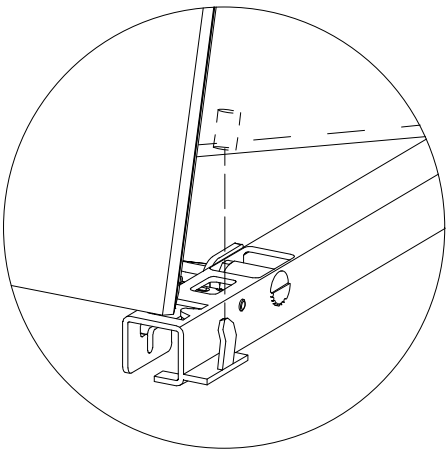


FIG. 11

Attention



Step 3



Step 2

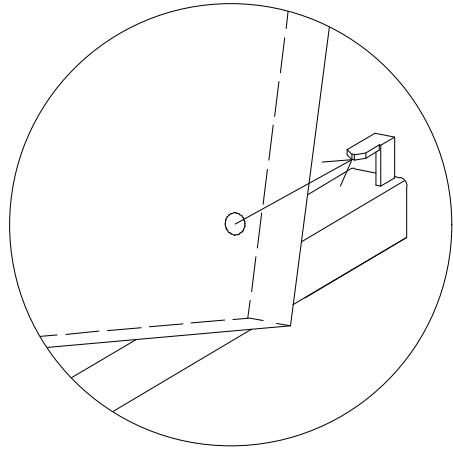


FIG. 12

Attention

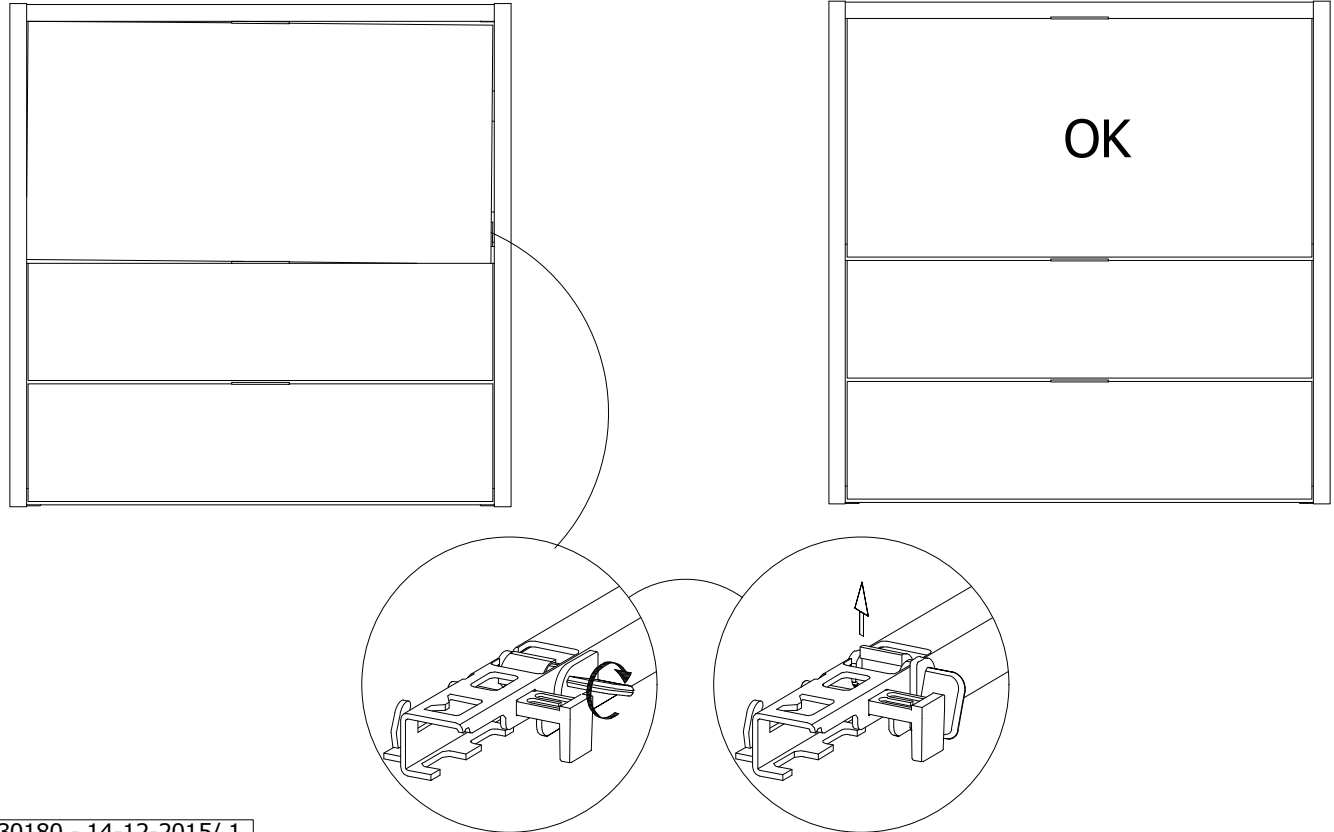


FIG. 13

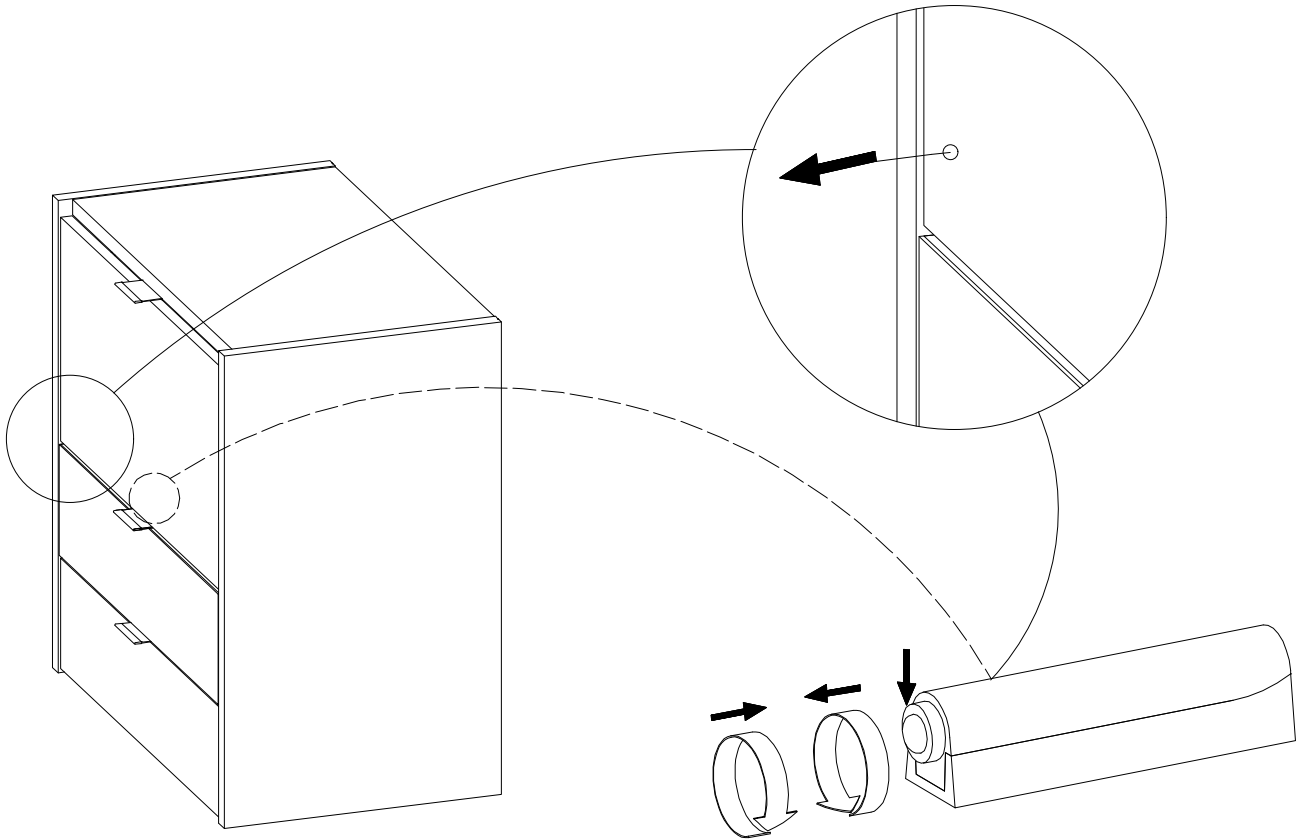
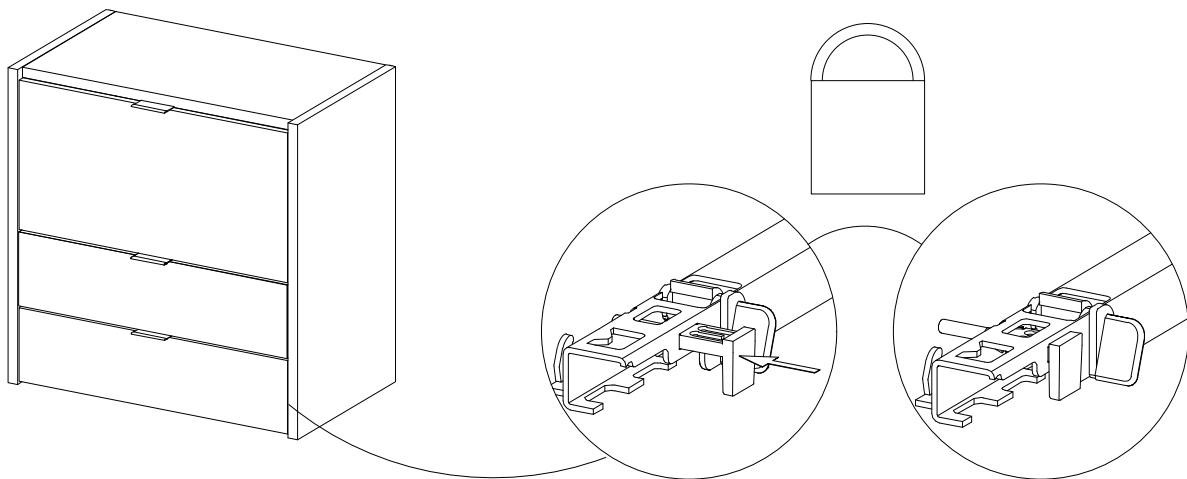


FIG. 14



DK Ved reklamation oplyses følgende:
 D Im Reklamationsfall, bitte folgendes erläutern:
 US In case of claims, please state the following:
 F En cas de réclamation, veuillez indiquer:
 NL Bij service volgene mededelen
 E En caso de reclamación, indicar lo siguiente:
 P No caso de reclamação, por favor indique o seguinte:



JP お気づきの点等ございましたら、以下の点をお知らせください。

Example!

