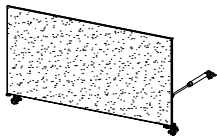


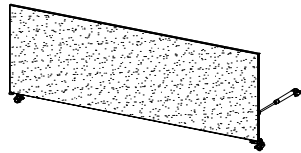
# Lugano

Design by BoConcept

Samvejledning - Assembly Instructions - Montageanleitung - Instructions d'assemblage - Instrucciones de montaje



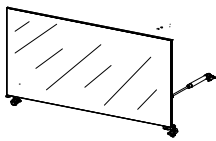
**8230**  
004127  
37,0x75,4x1,7 cm



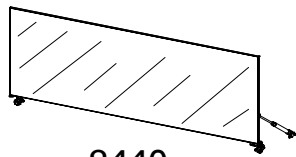
**8240**  
004126  
37,0x113,8x1,7 cm



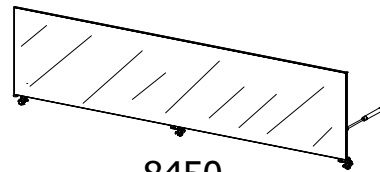
**8250**  
002886  
37,0x152,2x1,7 cm



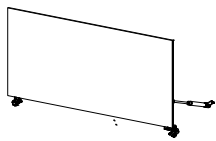
**8430**  
004133  
37,0x75,4x1,7 cm



**8440**  
004131  
37,0x113,8x1,7 cm



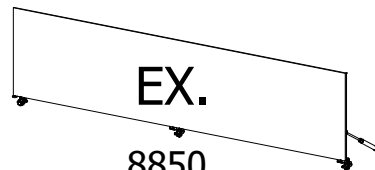
**8450**  
004129  
Lugano 8450



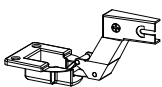
**8830**  
004004  
37,0x75,4x1,6 cm



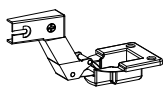
**8840**  
002984  
37,0x113,8x1,6 cm



**EX.**  
**8850**  
002946  
37,0x152,2x1,7 cm



**A**  
970001404



**B**  
970001326



**C**  
970001046



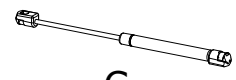
**D**  
970001327



**E**  
970001419  
ø6,2x13 mm



**F**  
970001325



**G**  
970001412



**H**  
970001717  
3,0x15 mm



**J**  
970001820



**K**  
970001768  
M4x12 mm



**L**  
970000940



**M**  
970001460



**N**  
970000760



**P**  
970001095  
3,5x15 mm



**R**  
970001810



**S**  
970001819



**T**  
970001481  
M4 x 9 mm



**U**  
970001420  
4,0 x 15

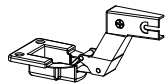
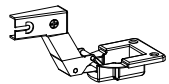
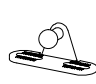





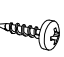
Table

| Model nr.           | Fittingbox   | 970001404 | 970001326 | 970001046 | 970001327 | 970001419 | 970001325 | 970001412 | 970001717 | 970001820 |
|---------------------|--------------|-----------|-----------|-----------|-----------|-----------|-----------|-----------|-----------|-----------|
| 8230-8240-8430-8440 | 380082320000 | 1         | 1         | 2         | 2         | 4         | 2         | 2         | 2         | 1         |
| 8250-8450           | 380082520000 | 1         | 2         | 2         | 2         | 4         | 3         | 2         | 2         | 1         |
| 8830-8840           | 380088320000 | 1         | 1         | 2         | 2         | 4         | 2         | 2         | 2         | 1         |
| 8850                | 380088520000 | 1         | 2         | 2         | 2         | 4         | 3         | 2         | 2         | 1         |

Table

| Model nr.           | Fittingbox   | 970001768 | 970000940 | 970001460 | 970000760 | 970001095 | 970001810 | 970001819 | 970001481 | 970001420 |
|---------------------|--------------|-----------|-----------|-----------|-----------|-----------|-----------|-----------|-----------|-----------|
| 8230-8240-8430-8440 | 380082320000 | 4         | 1         | 1         | 0         | 0         | 1         | 1         | 4         | 0         |
| 8250-8450           | 380082520000 | 6         | 1         | 1         | 0         | 0         | 1         | 1         | 4         | 0         |
| 8830-8840           | 380088320000 | 0         | 0         | 1         | 1         | 4         | 1         | 1         | 0         | 4         |
| 8850                | 380088520000 | 0         | 0         | 1         | 1         | 6         | 1         | 1         | 0         | 4         |

FIG. 1

-   
**A x 1**
-   
**B x 2**
-   
**C x 2**
-   
**K x 6**  
M4x12 mm
-   
**L x 1**
-   
**N x 1**
-   
**P x 6**  
3,5x15 mm
-   
**T x 4**  
M4 x 9 mm
-   
**U x 4**  
4,0 x 15

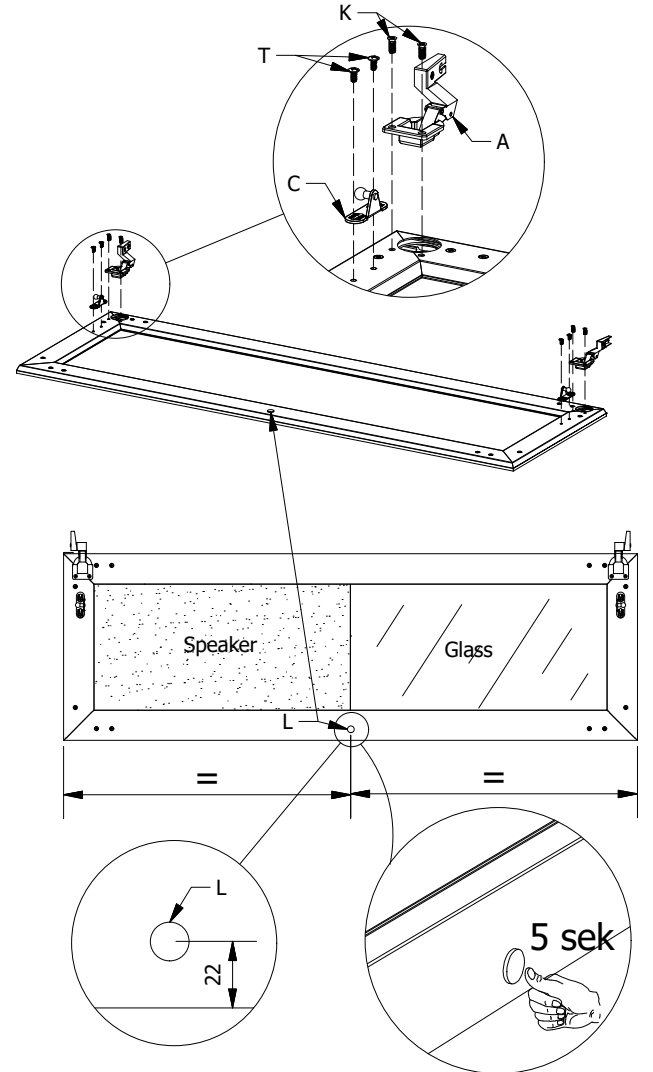
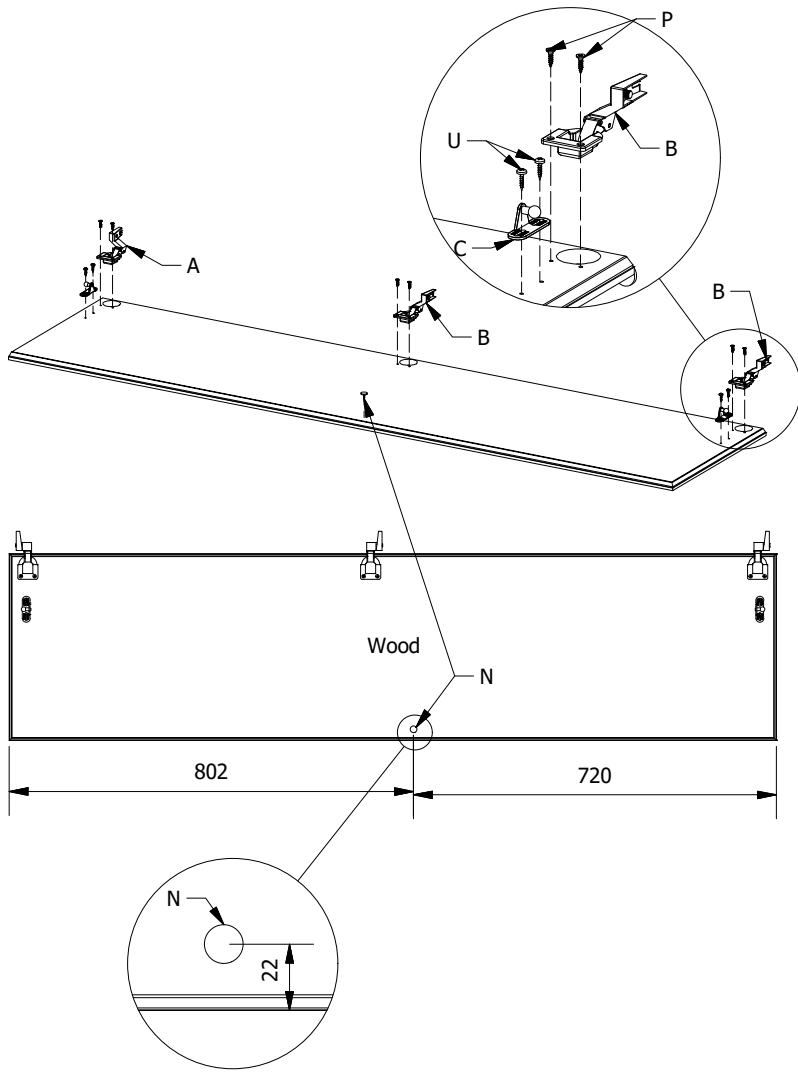






FIG. 2

-   
**H x 2**
-   
**J x 1**
-   
**R x 1**
-   
**S x 1**

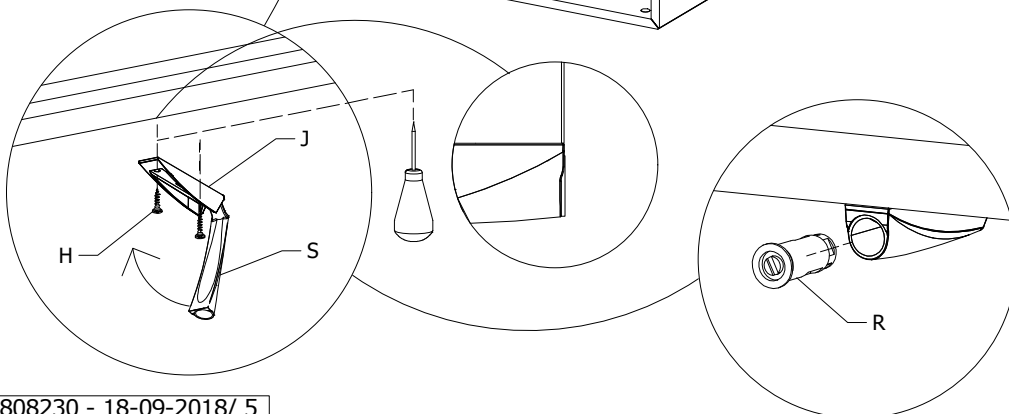
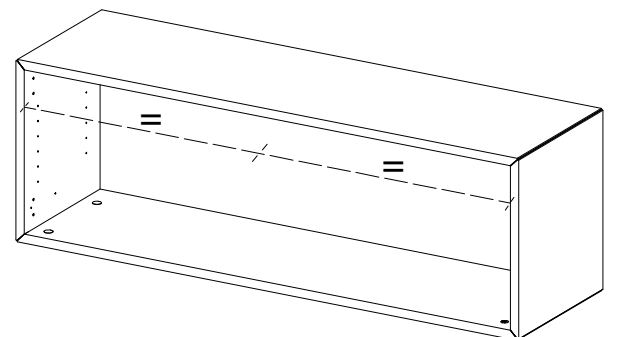
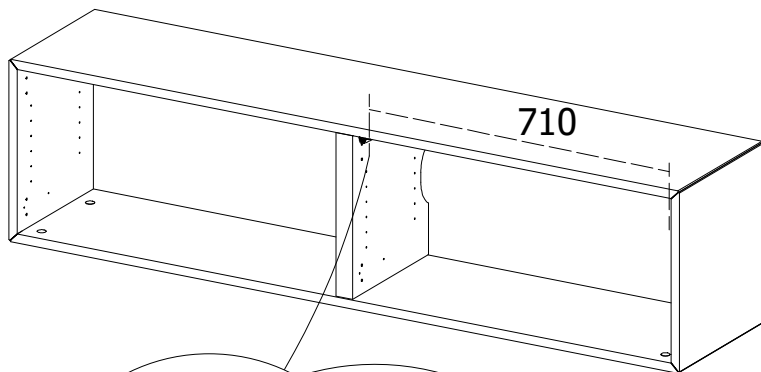


FIG. 3

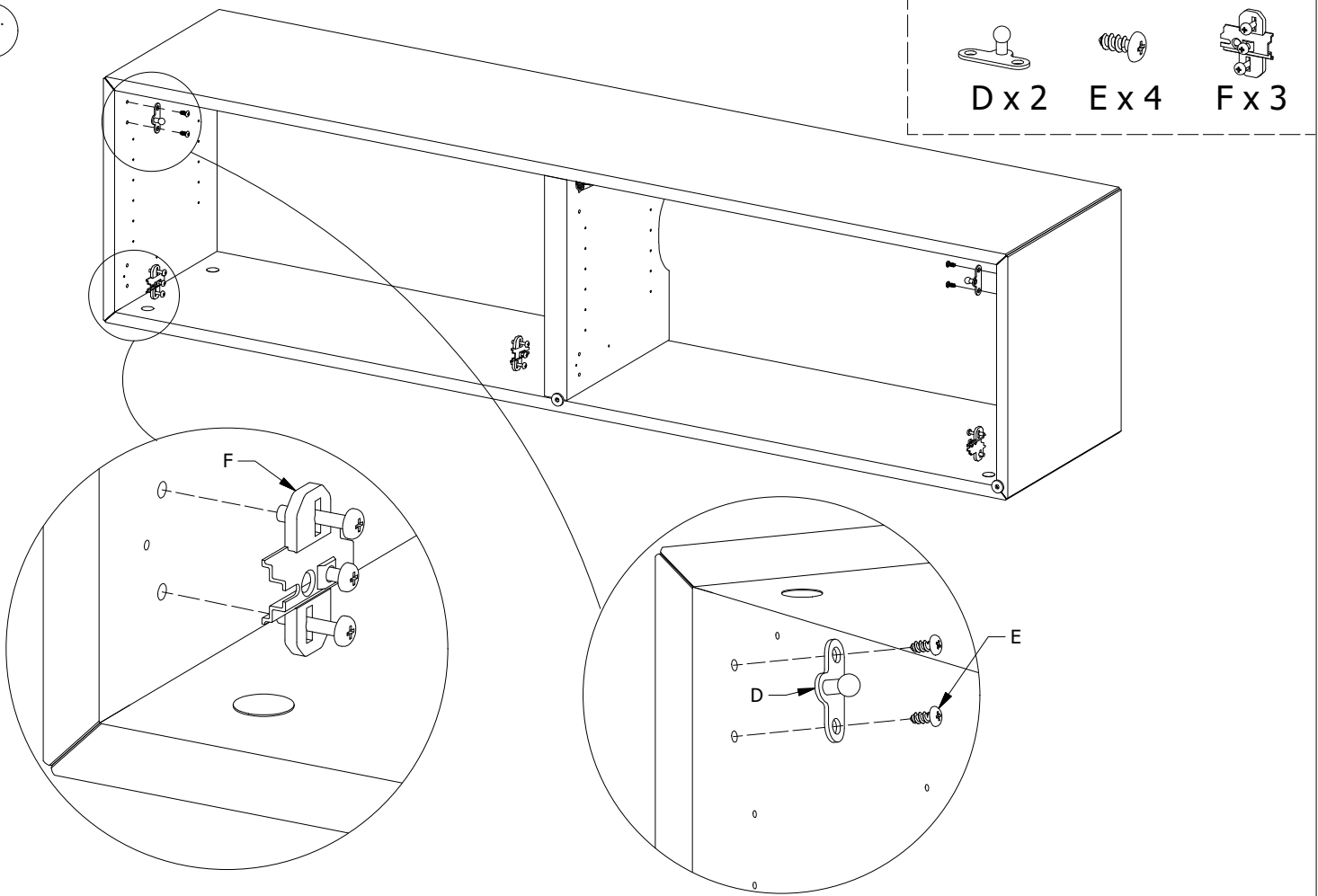


FIG. 4

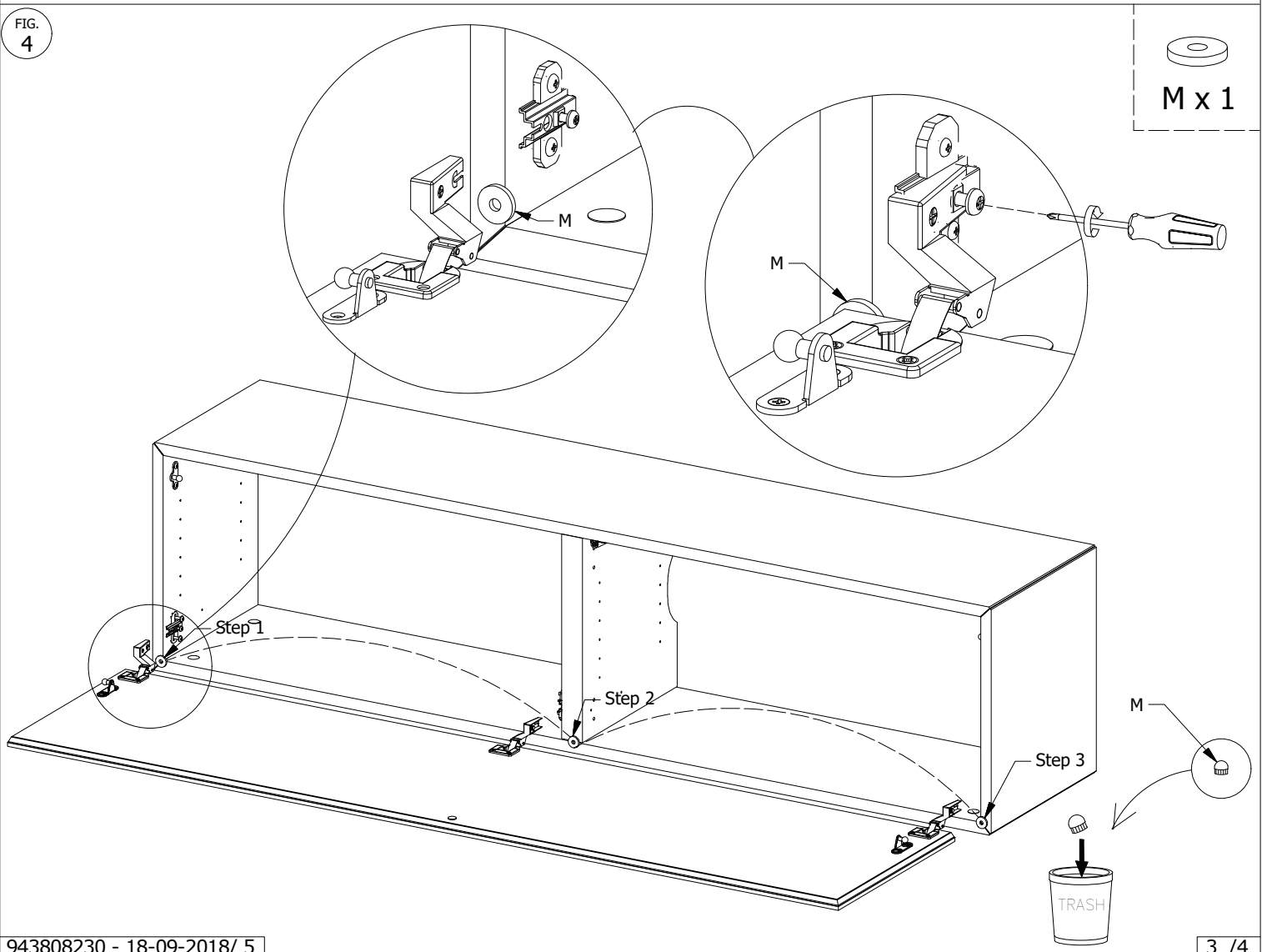


FIG. 5

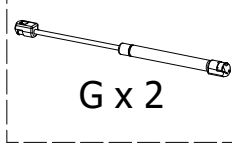
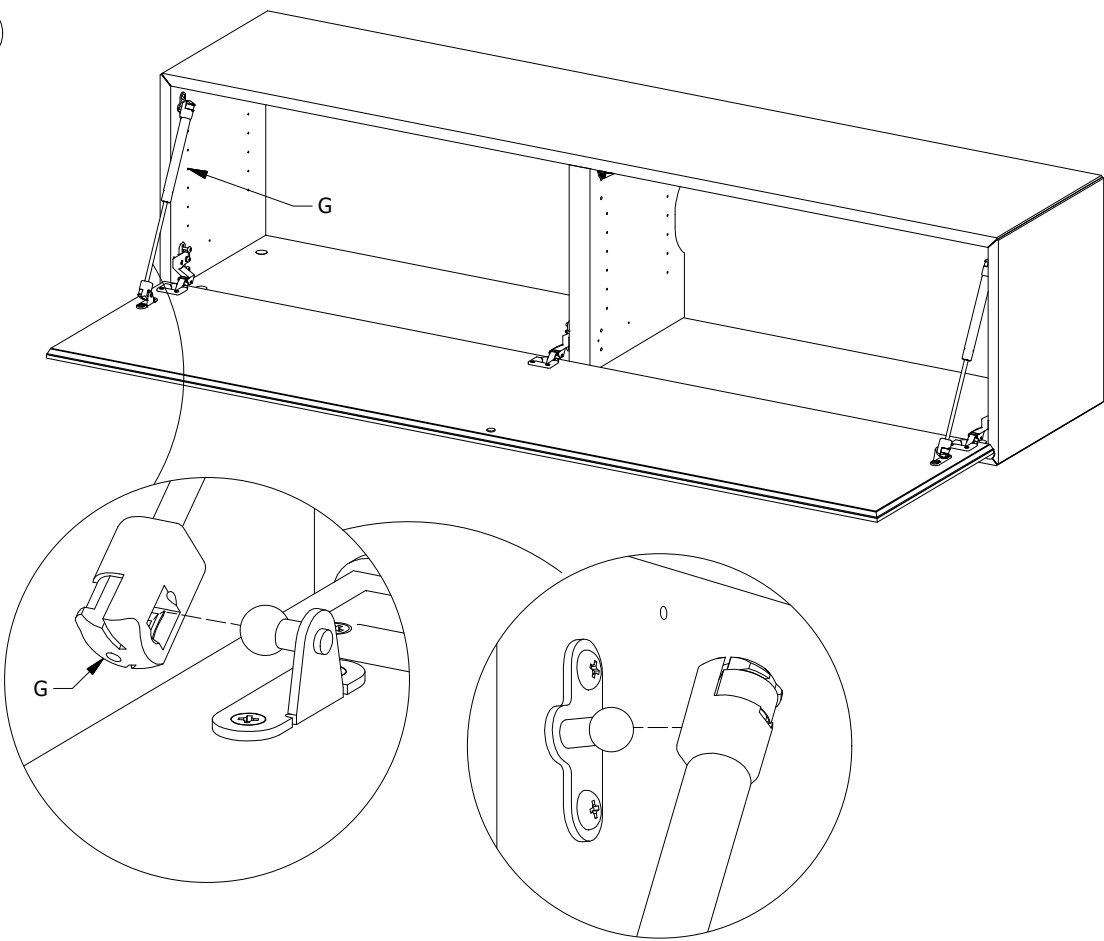
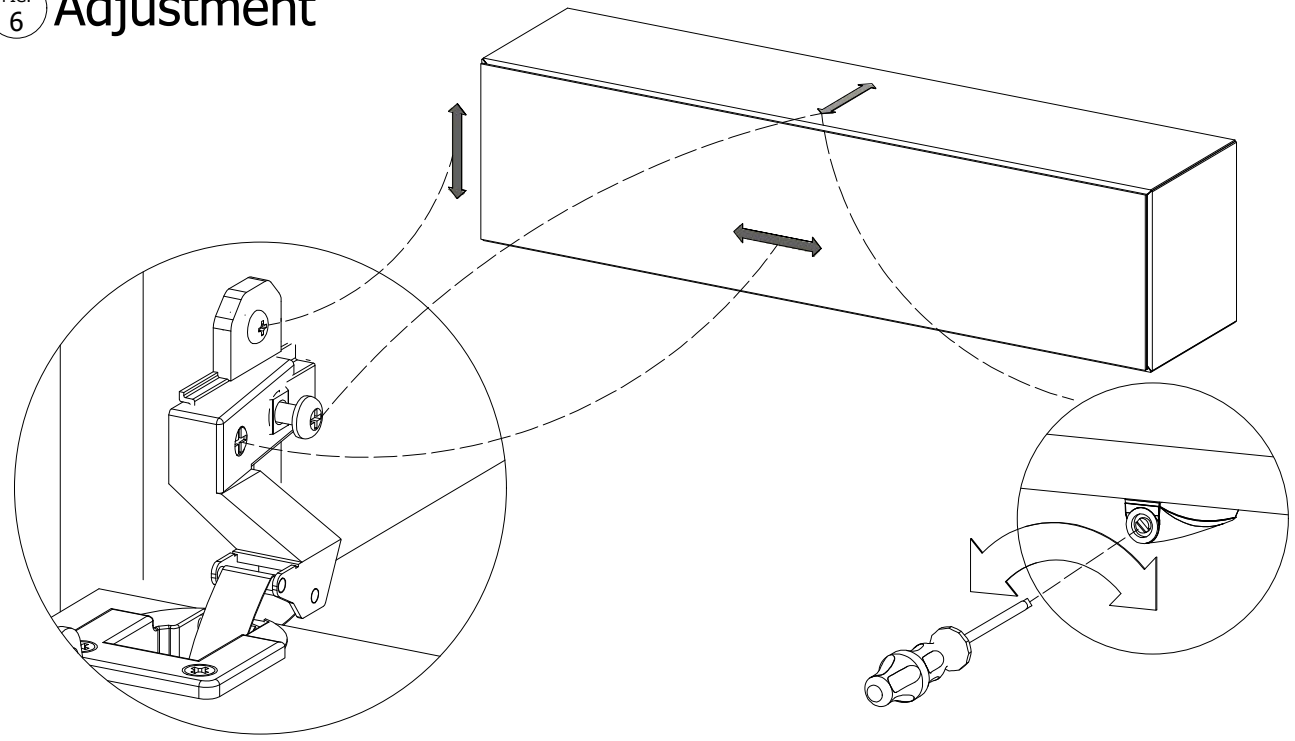
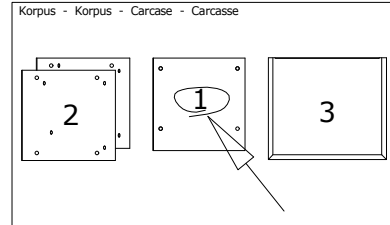


FIG. 6 Adjustment



**DK** Ved reklamation oplyses følgende:  
**D** Im Reklamationsfall, bitte folgendes erläutern:  
**US** In case of claims, please state the following:  
**F** En cas de réclamation, veuillez indiquer:  
**NL** Bij service volgene mededelen  
**E** En caso de reclamación, indicar lo siguiente:  
**P** No caso de reclamação, por favor indique o seguinte:  
**JP** お気づきの点等ございましたら、以下の点をお知らせください。

Example!



| Beslag - Fittings - Beschläge - Set de Montaje |                      |                     |
|--|----------------------|---------------------|
|  |                      |                     |
| A X 8<br>1972000014                            | B X 12<br>1972000004 | C X 4<br>1979110830 |
|  |                      |                     |
| D X 2<br>1970120000                            | H X 2<br>1978504022  | J X 8<br>1978204210 |