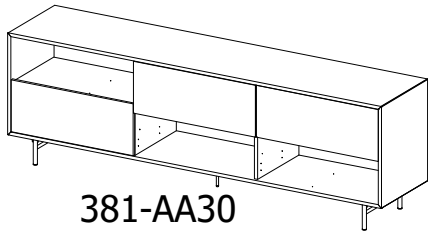


# Manhattan

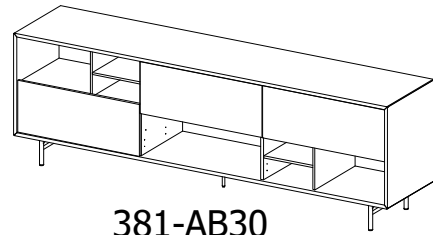
Design by BoConcept

Samvejledning - Assembly Instructions - Montageanleitung - Instructions d'assemblage - Instrucciones de montaje



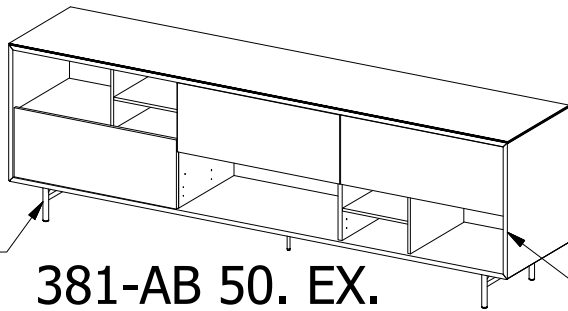
**381-AA30**

74,0x228,5x49,0 cm Max 90 kg.



**381-AB30**

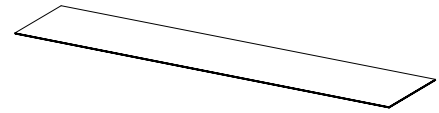
74,0x228,5x49,0 cm Max 90 kg.



**381-AB 50. EX.**

0020-0030-0050

74,0x228,5x49,0 cm



**0050**

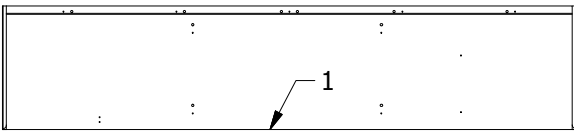
0,4x228,5x49,0 cm

381-0030

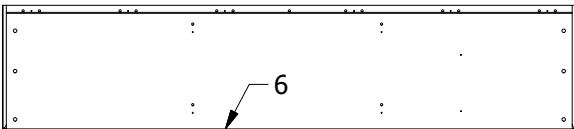
381-0020

381-0011

005852

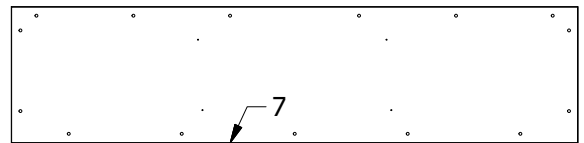


005851

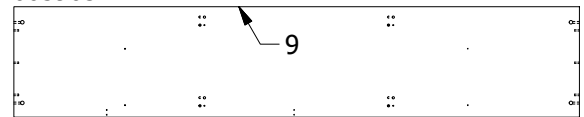


381-0012

005902

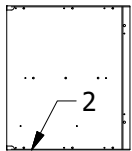


005903

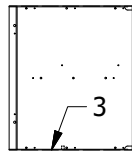


381-0013

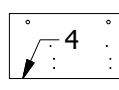
005899



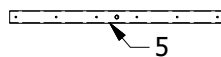
005900



005901 x 4

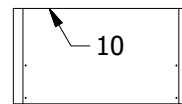


005195

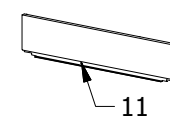


381-0014

006037 x 3



006039 x 3



005873 Wood  
005940 Ceramic

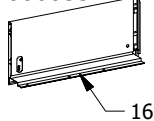
8 Left  
X 1

006251 Wood  
006252 Ceramic

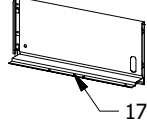
18 Right  
X 2

381-0014 Fitting box 930001063 x3

006035



006036



Fitting box 930001060 x3



**B x 1**

970001834

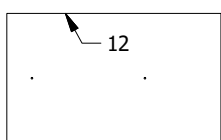


**C x 1**

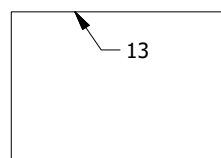
970001835

381-0025

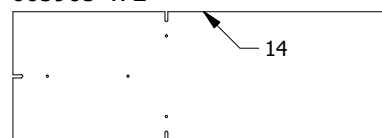
005887 x 2



005904 x 2



005905 x 2



Fitting box 930001044



**F x 8**

970001825

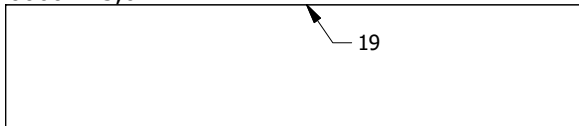


**G x 8**

970001723

381-0050

006041 3,5 mm  
006042 5,6 mm



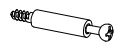
381-0050 Fitting bag 937000132



AA x 8  
970001345

Fitting box (col. 381-0013)

93001043 Walnut  
93001048 White  
93001049 Espresso



H x 39  
970001696



J x 12  
970001723



K x 39  
970001690  
8x30 mm



L x 18  
979900041  
6x30 mm



M x 15  
970001056  
Ø12



N x 24  
970001452  
Ø15



P x 8  
970001383 White  
970000599 Walnut  
970001384 Espresso



R x 6  
970000818  
4,5x45 mm

Fitting box (col. 381-0014)

930001045



A x 6  
970001836



D x 6  
970001838



E x 6  
970001837



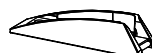
S x 24  
970001680  
4,2x9,5 mm



T x 6  
970001717  
3x15 mm



V x 3  
970001819



Z x 3  
970001820



Y x 3  
970001821



AB x 12  
970001718  
3,5x15 mm



AC x 1  
970001899

FIG.  
1

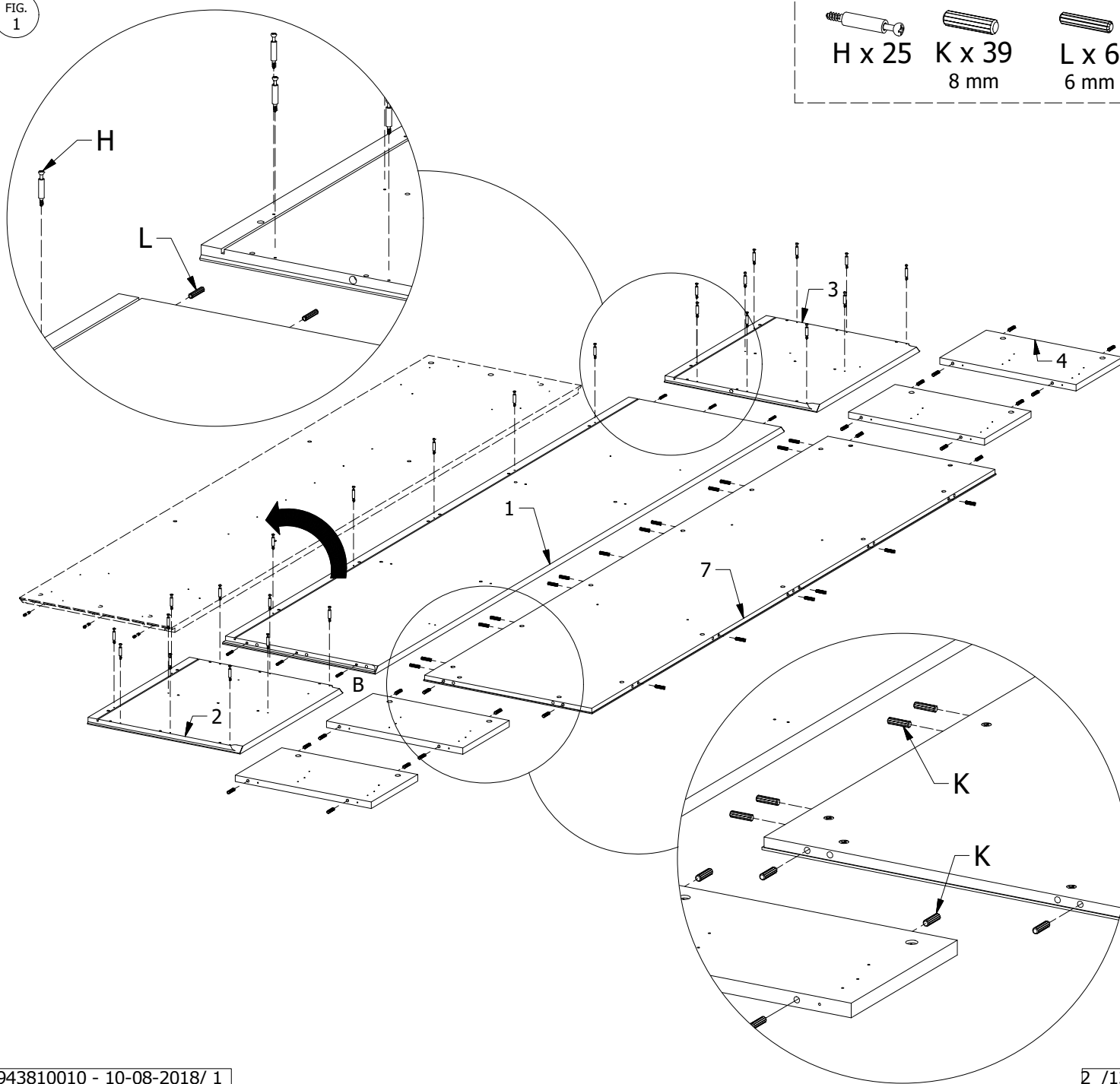


FIG. 2

  $M \times 15$      $N \times 14$

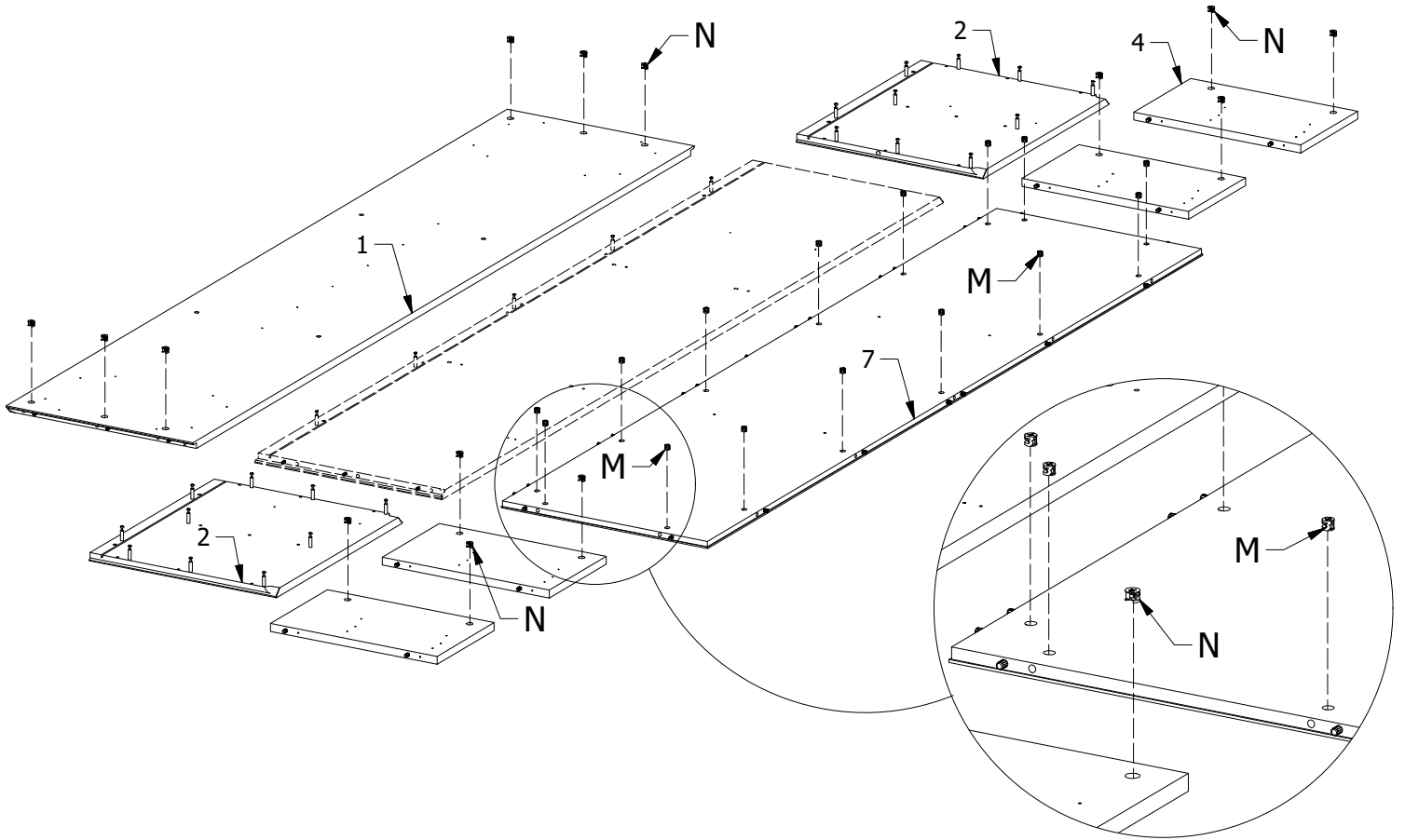


FIG. 3

  $N \times 10$      $H \times 14$      $L \times 12$   
6 mm

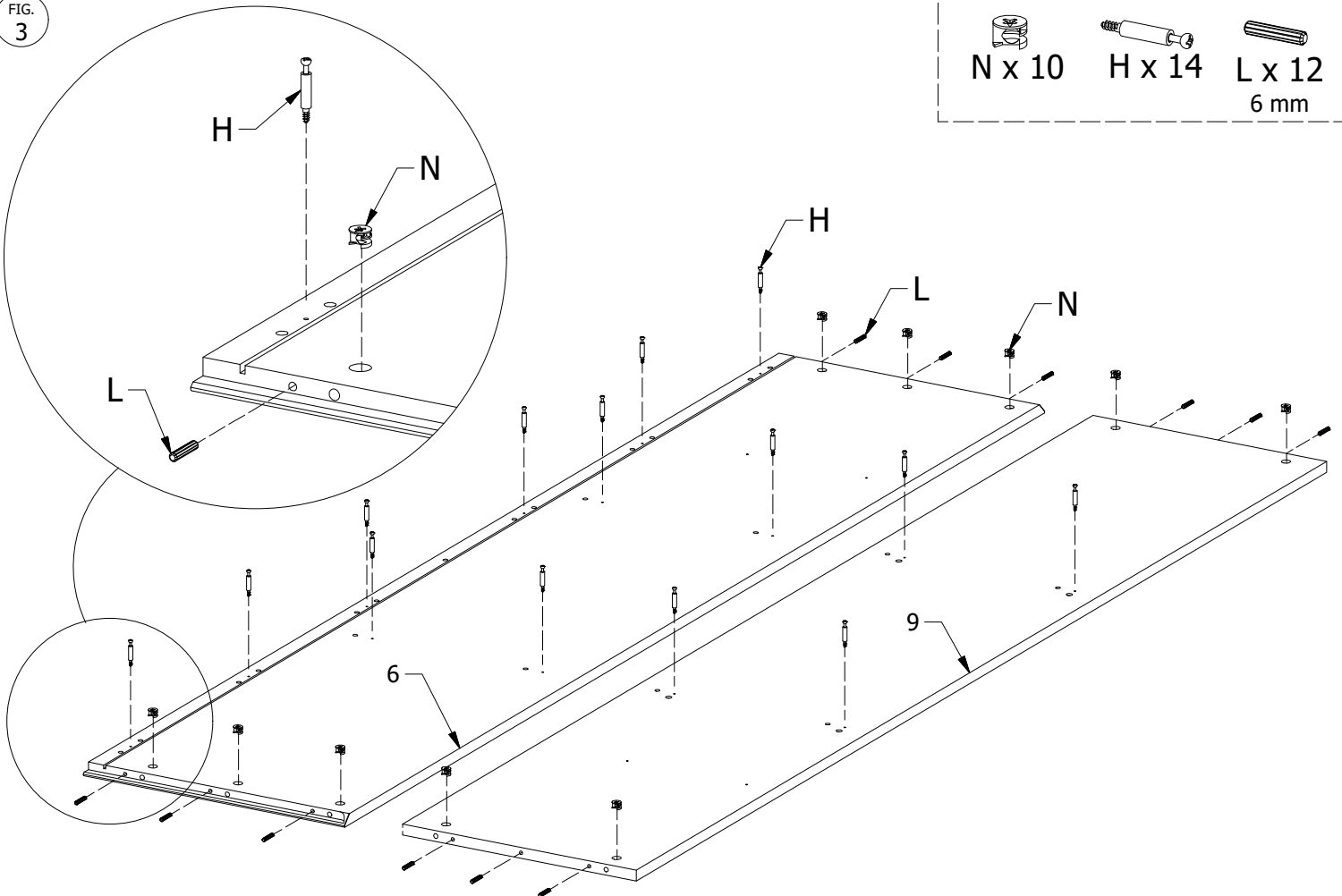


FIG. 4

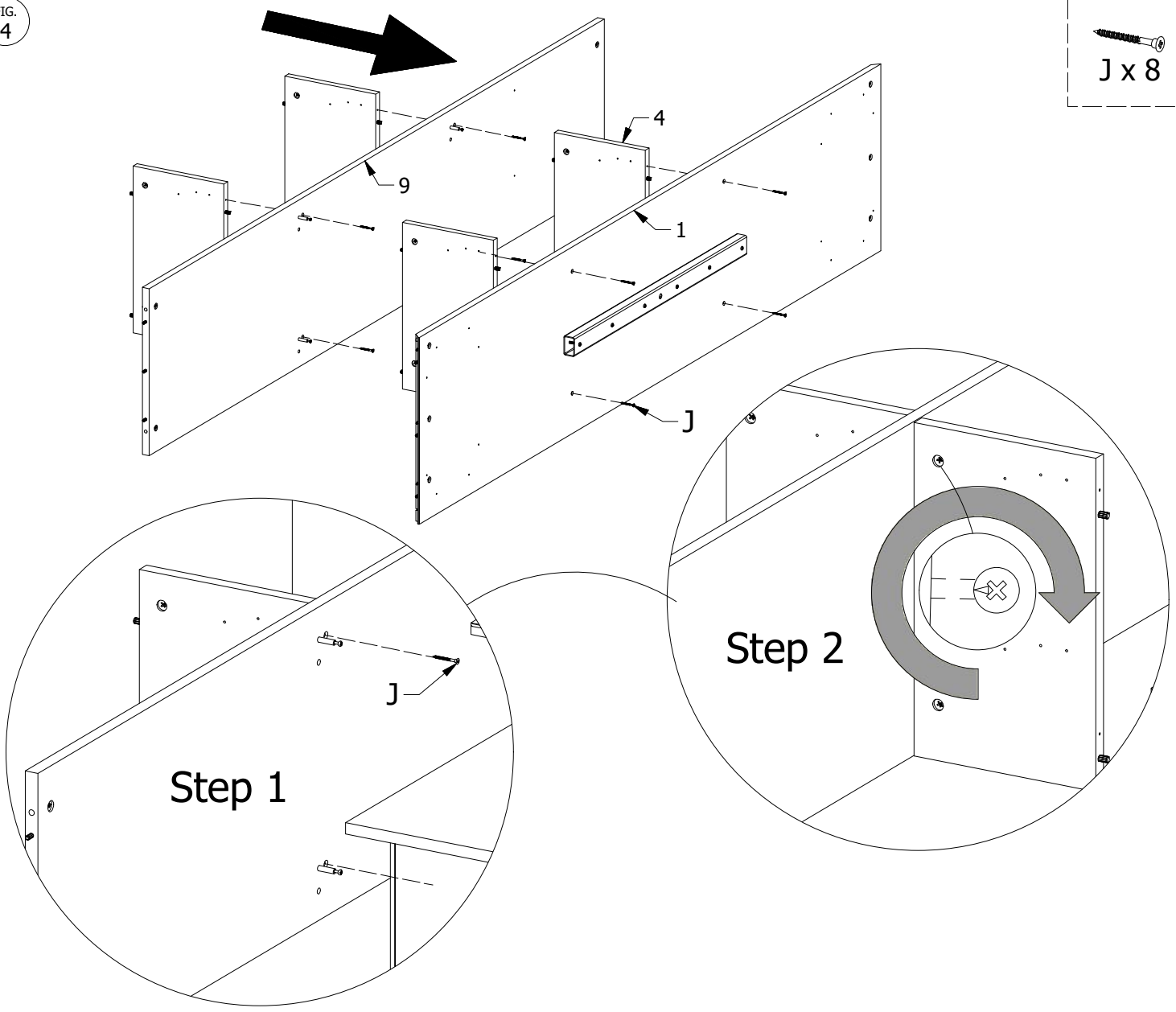


FIG. 5

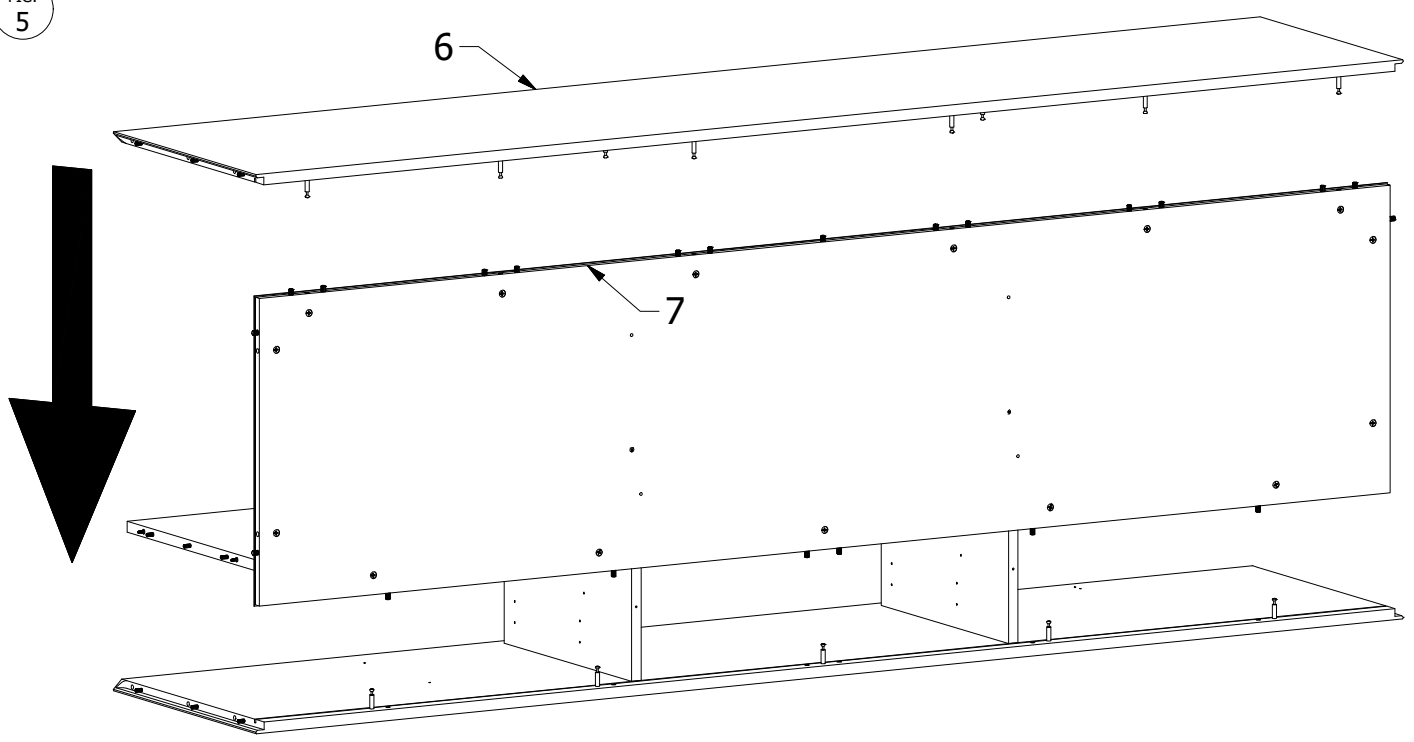


FIG. 6

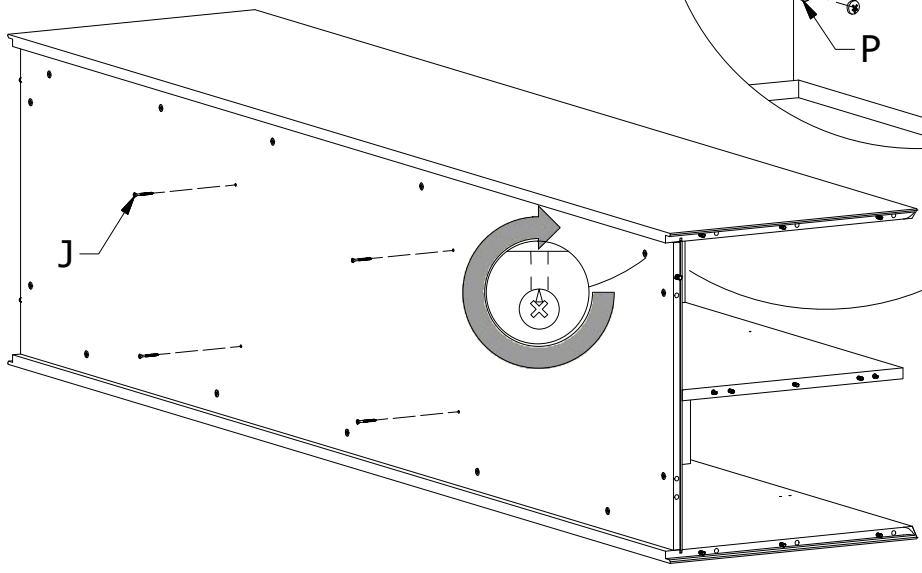
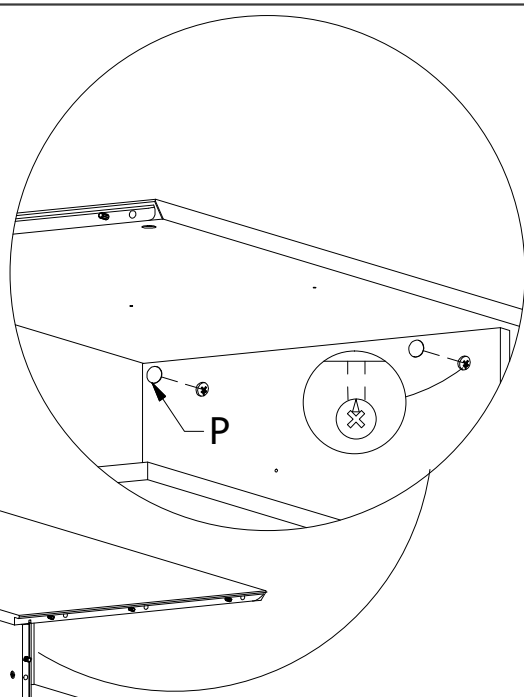
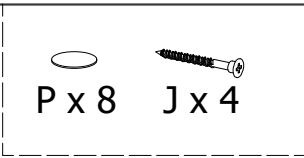


FIG. 7

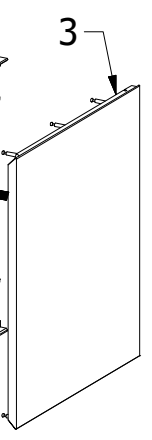
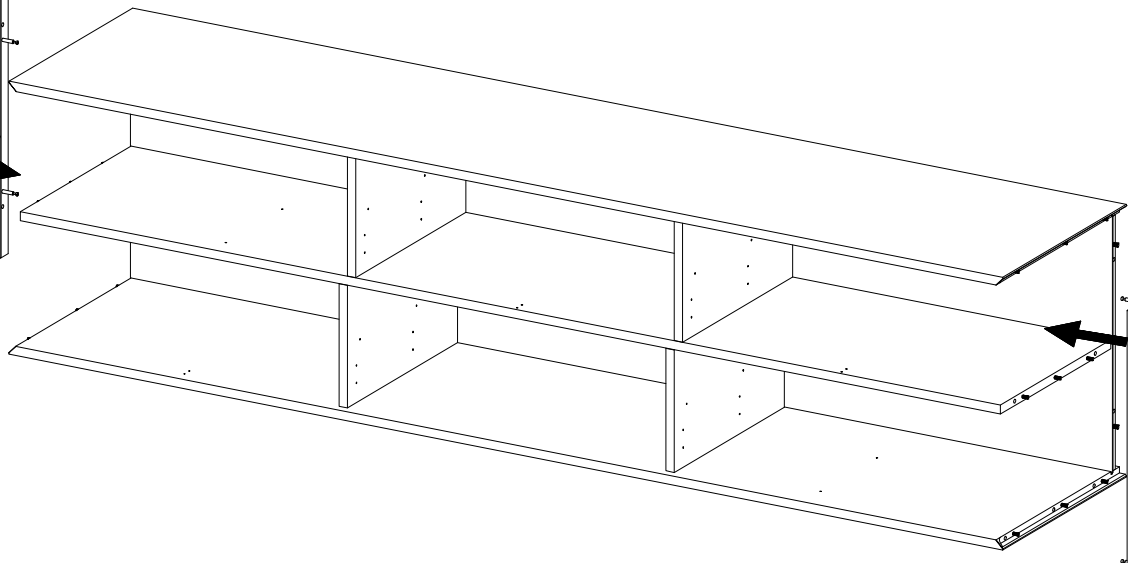
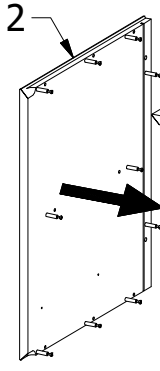


FIG. 8

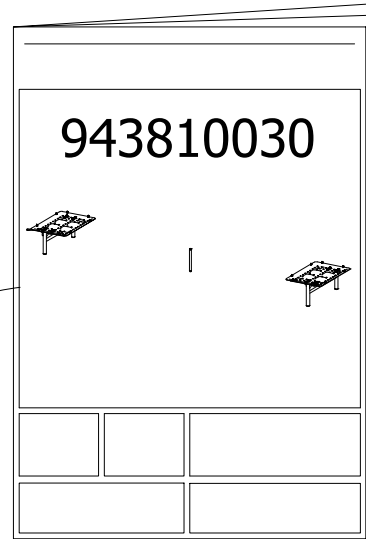
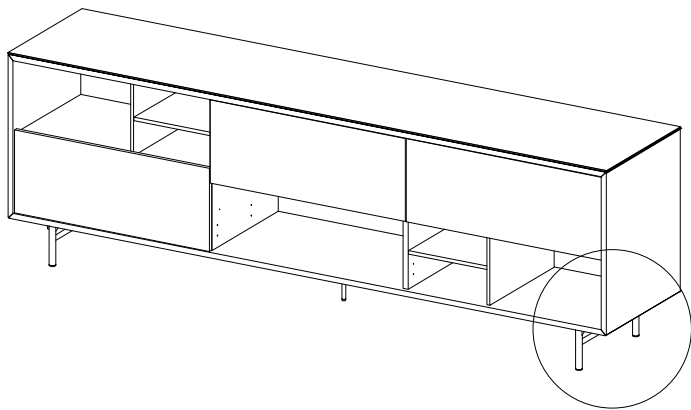


FIG. 9

- F x 6
- T x 6
- V x 3
- Z x 3
- Y x 3

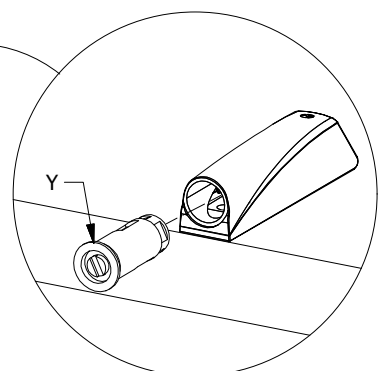
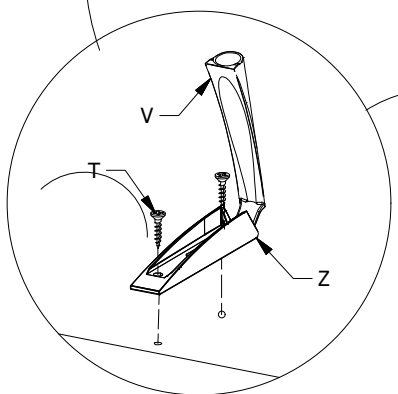
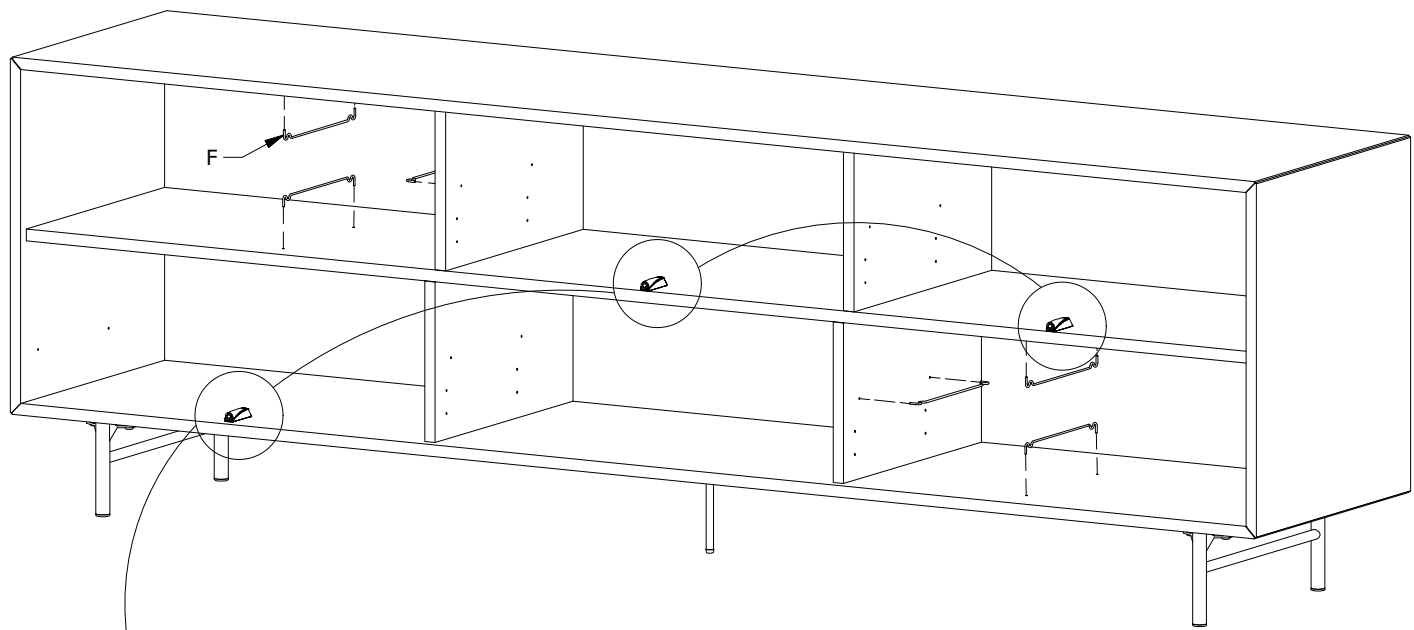


FIG. 10

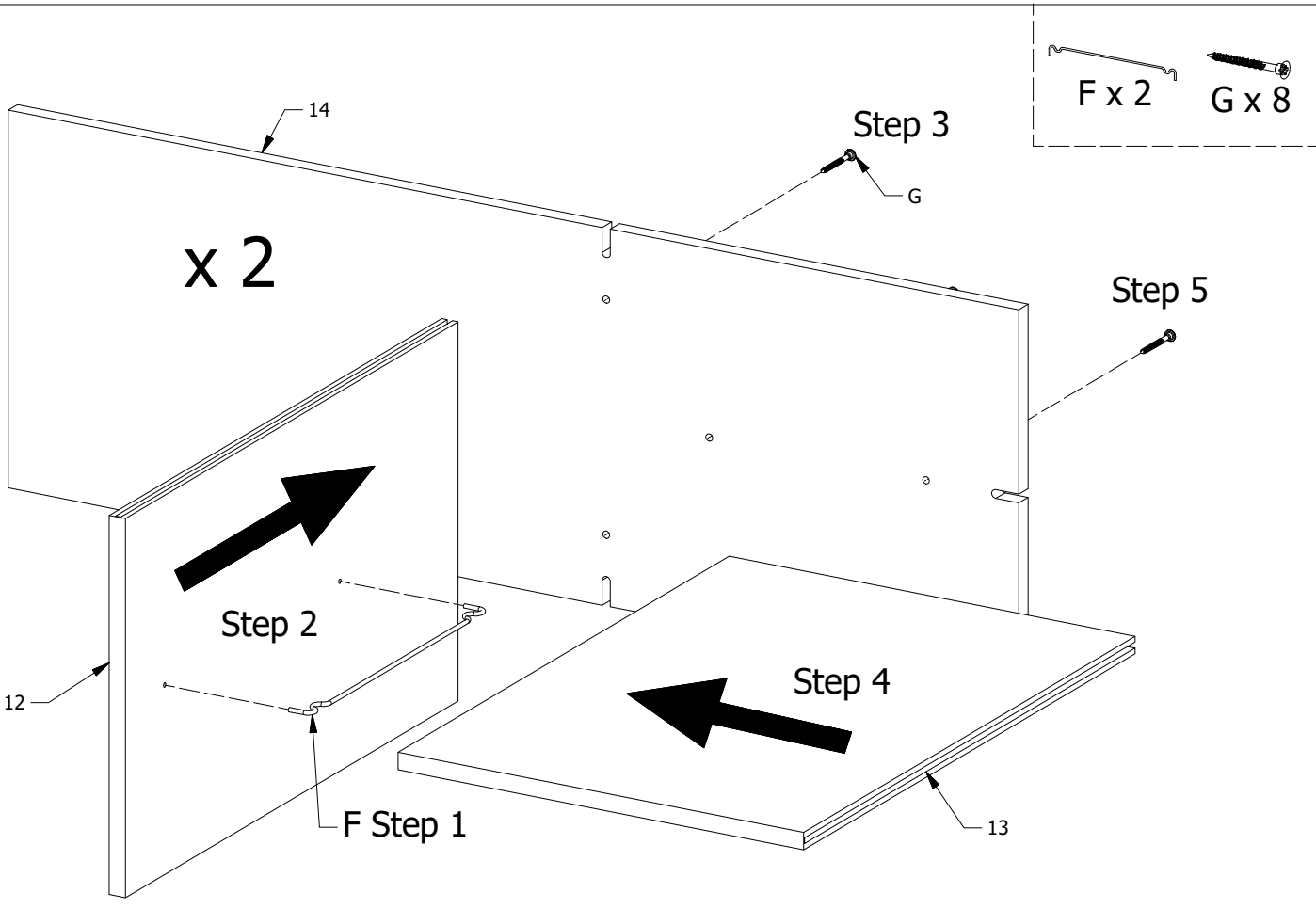
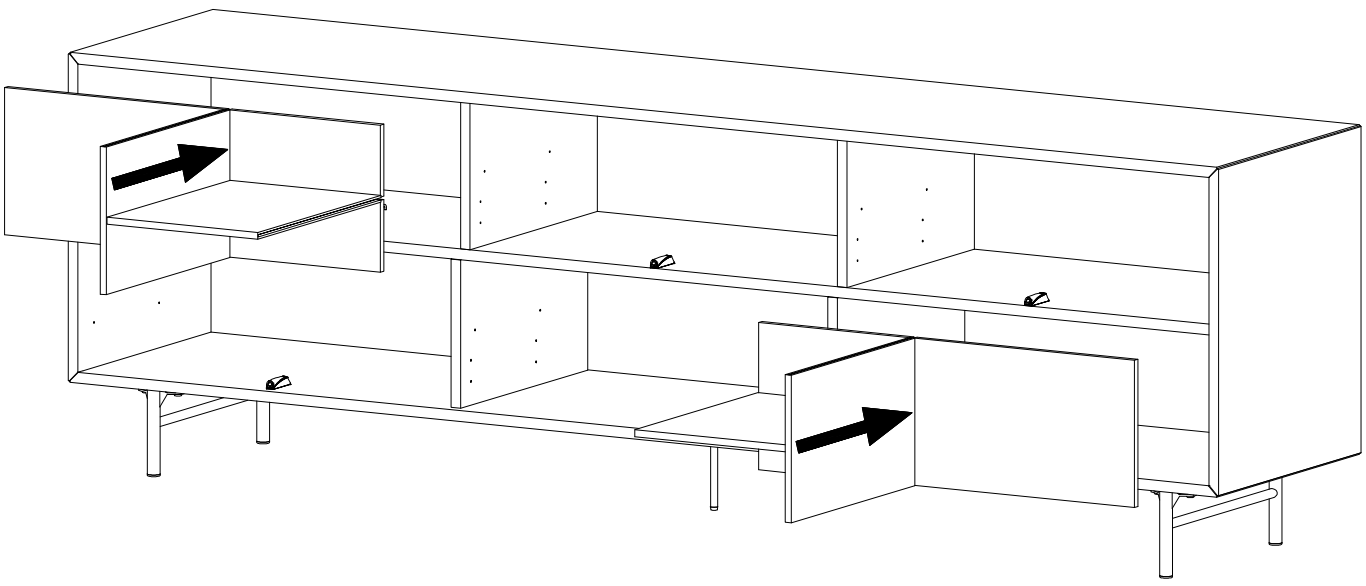
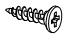





FIG. 11



-  AB x 12
-  B x 3
-  C x 3
-  S x 12

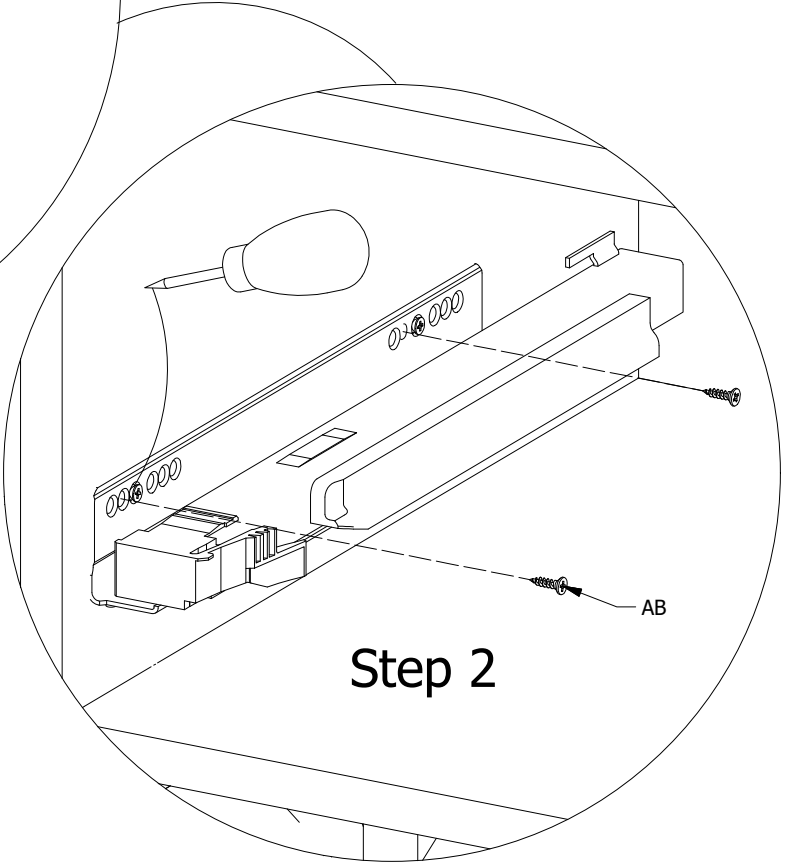
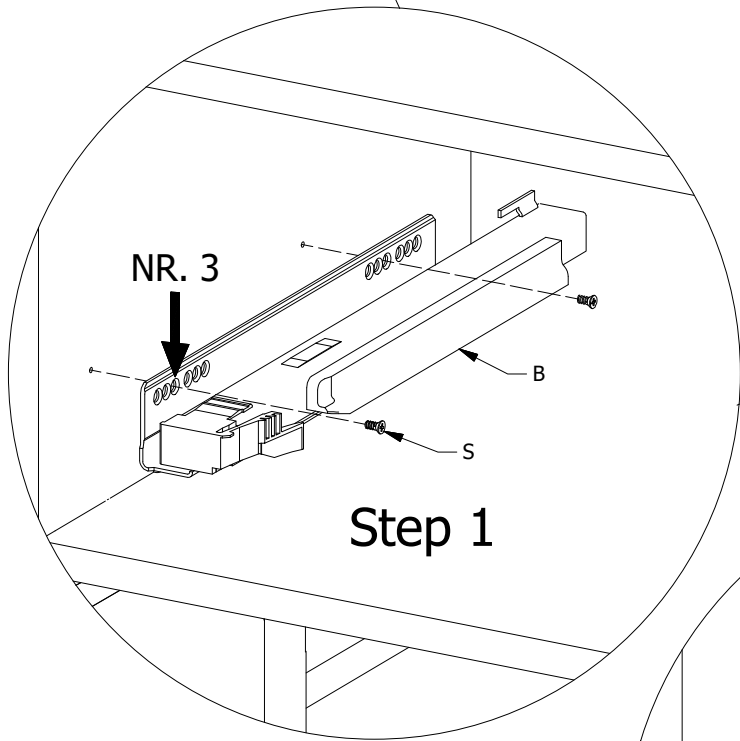
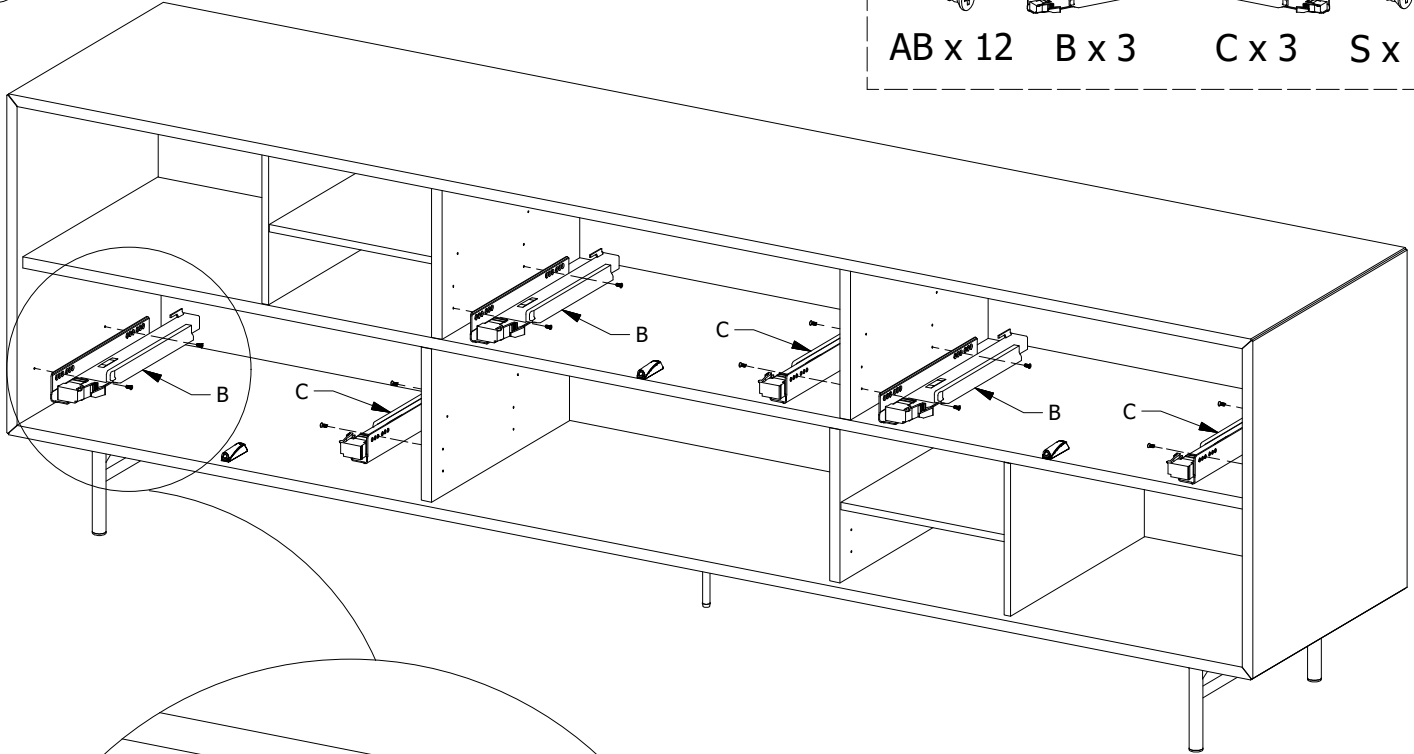




FIG. 13

A x 6

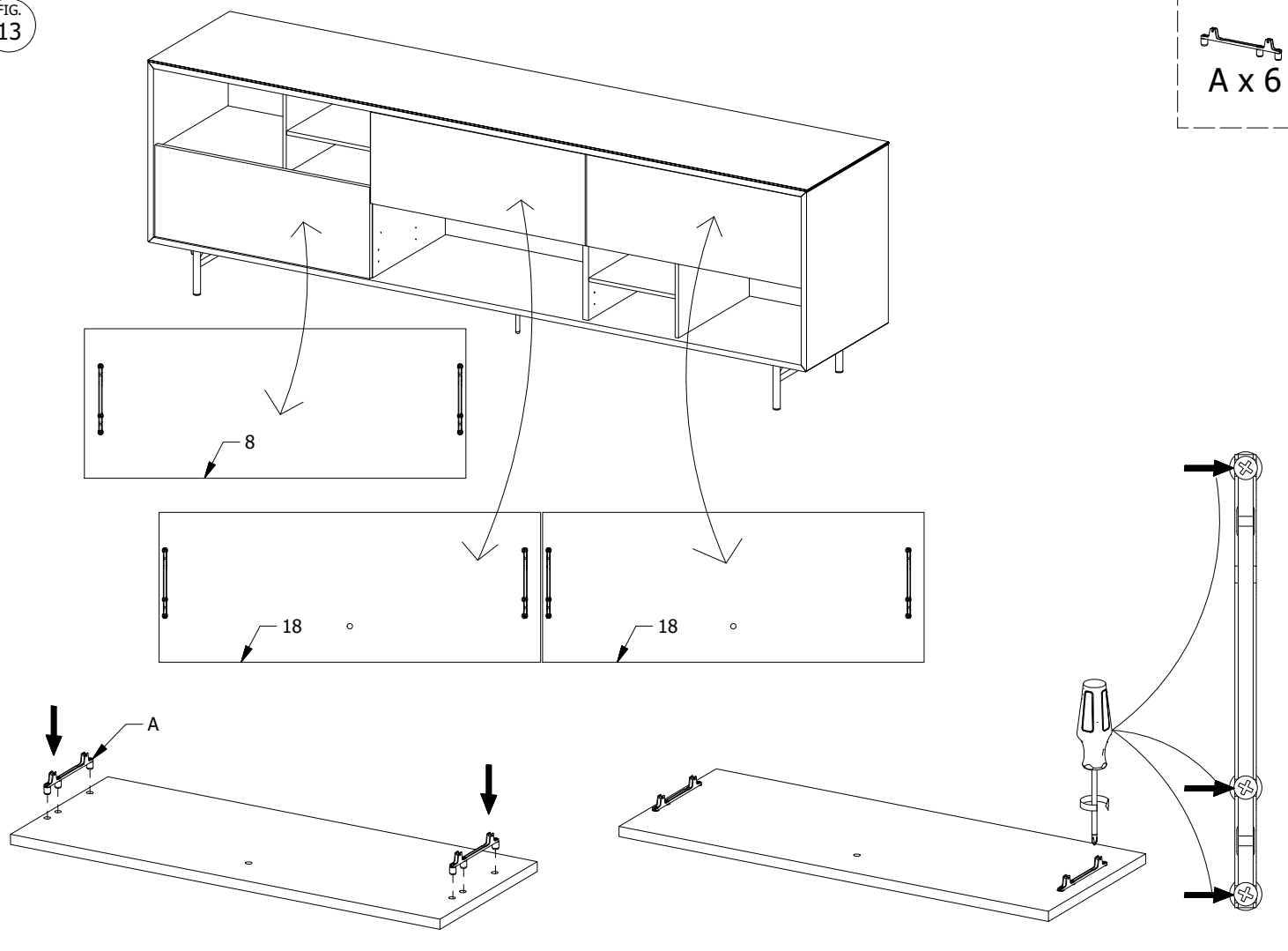


FIG. 14

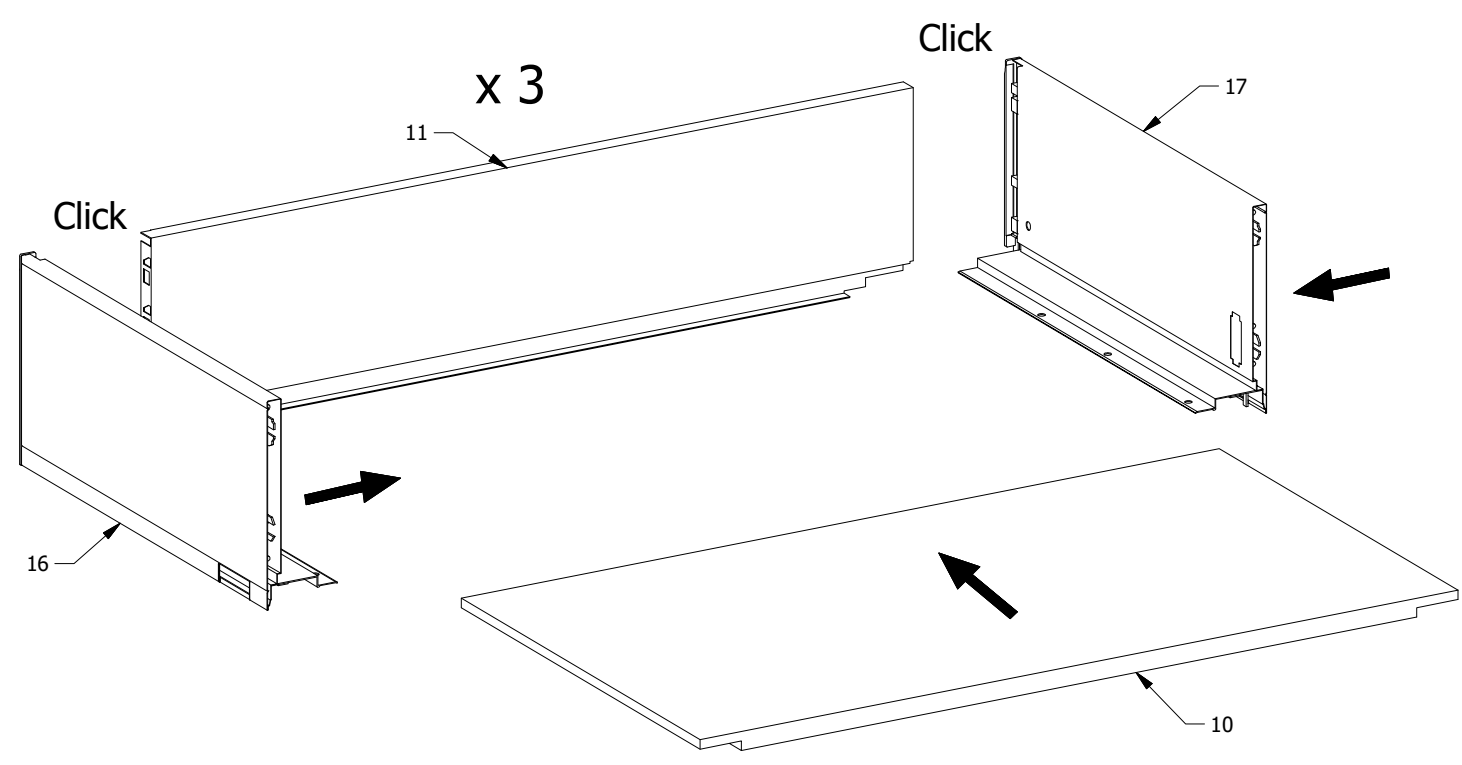


FIG. 15

  
S x 12

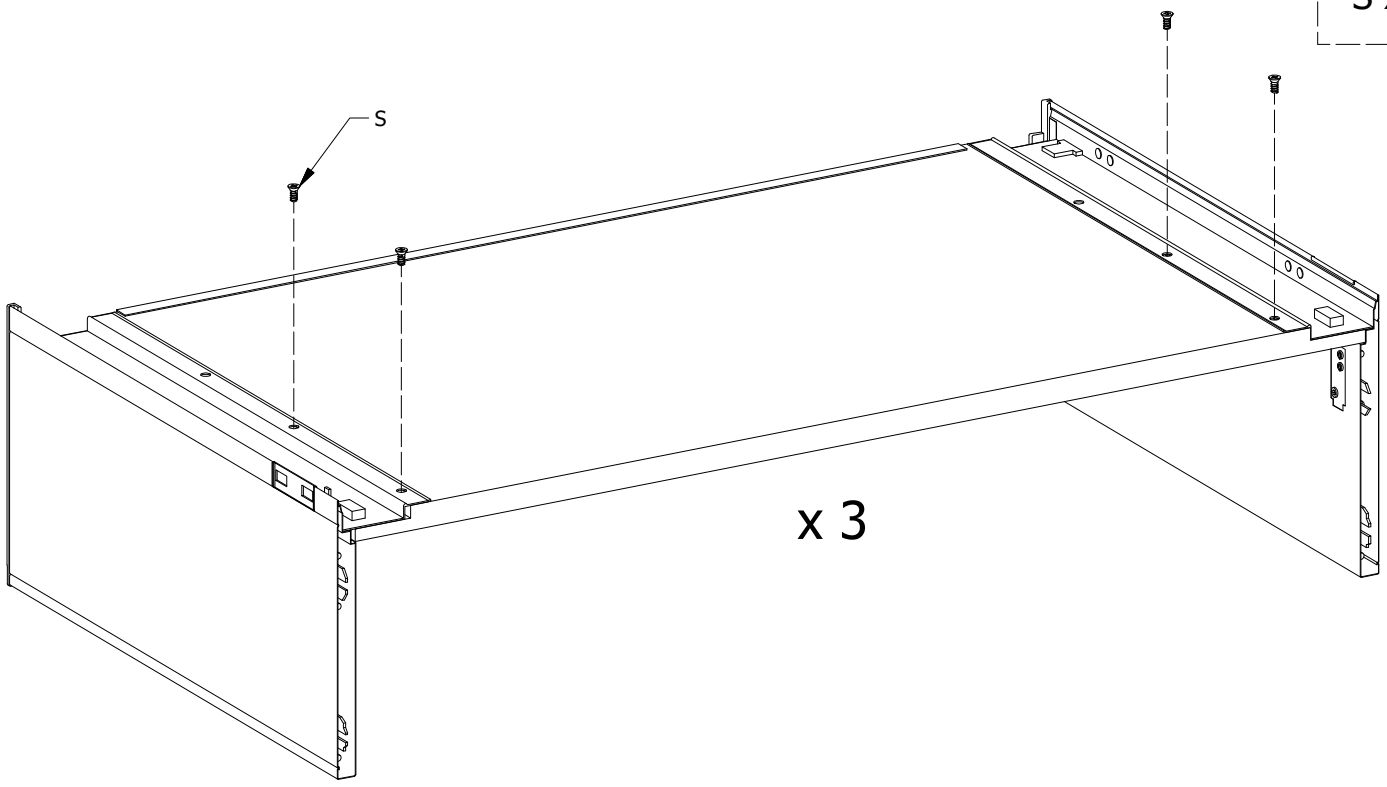


FIG. 16

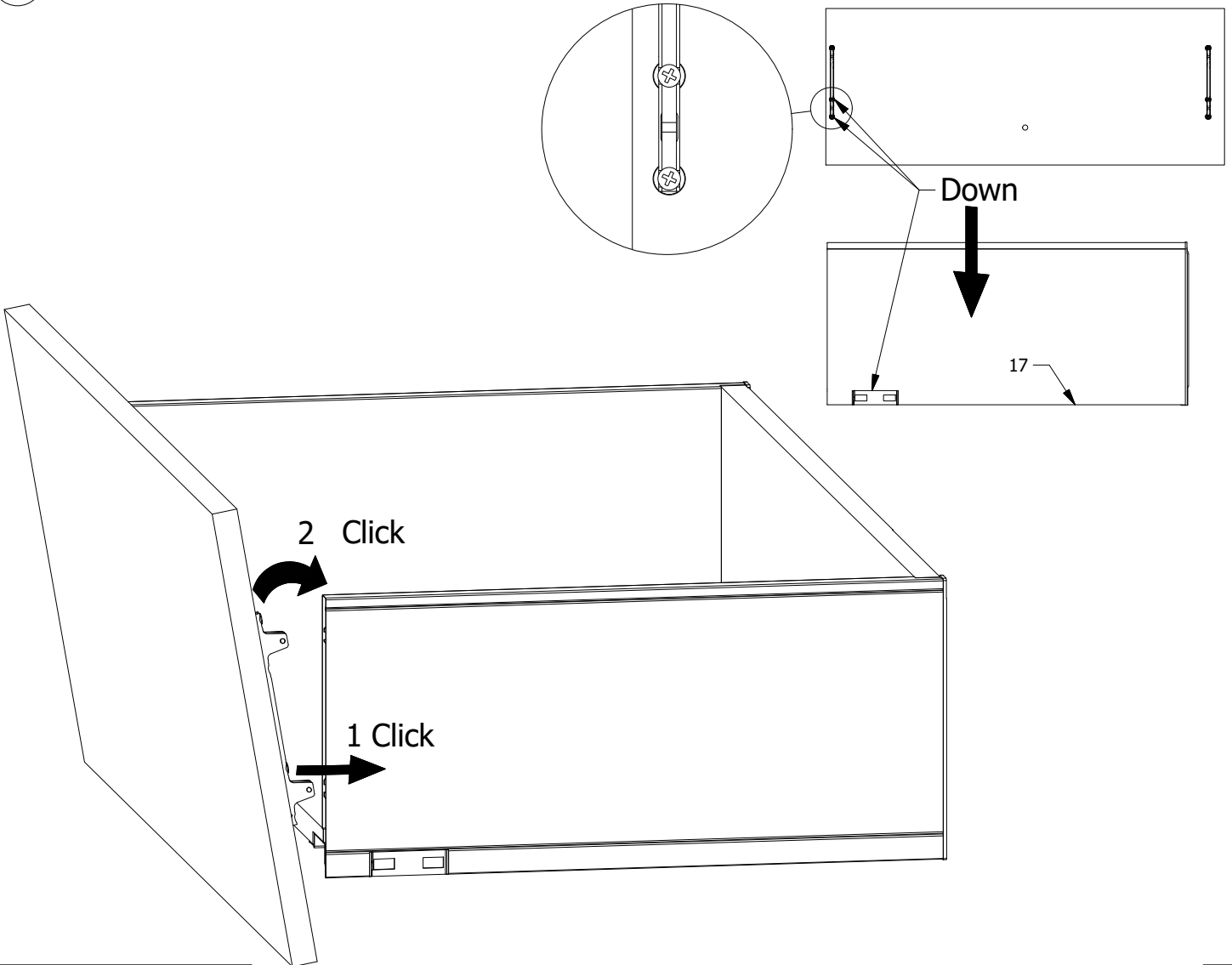


FIG. 17

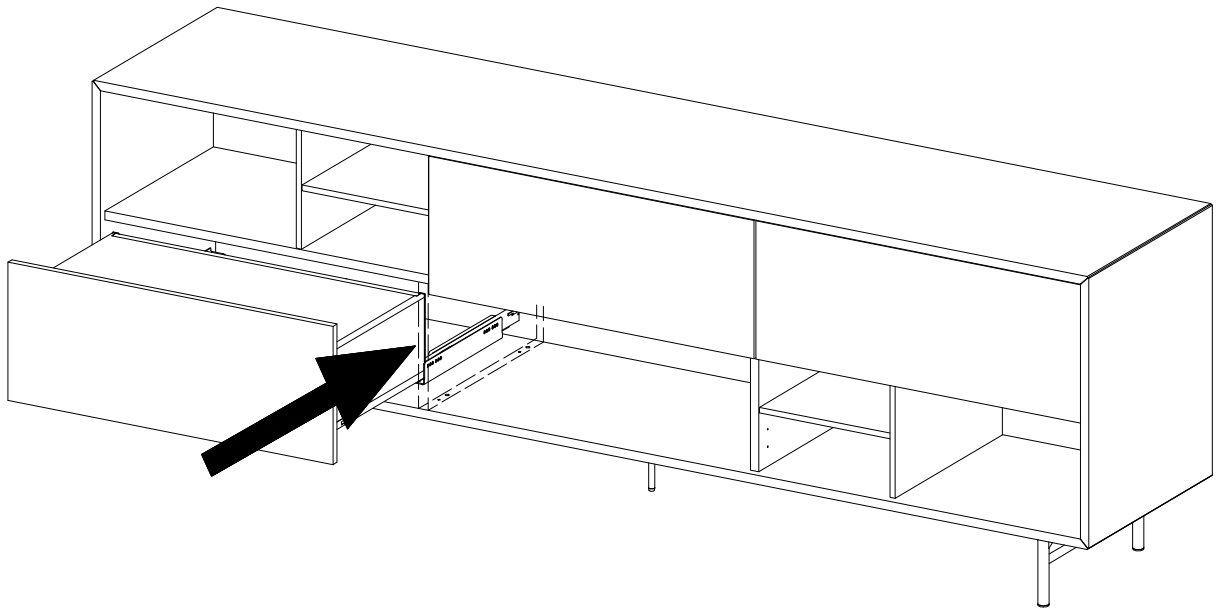
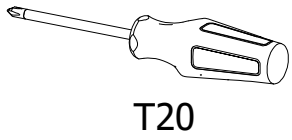
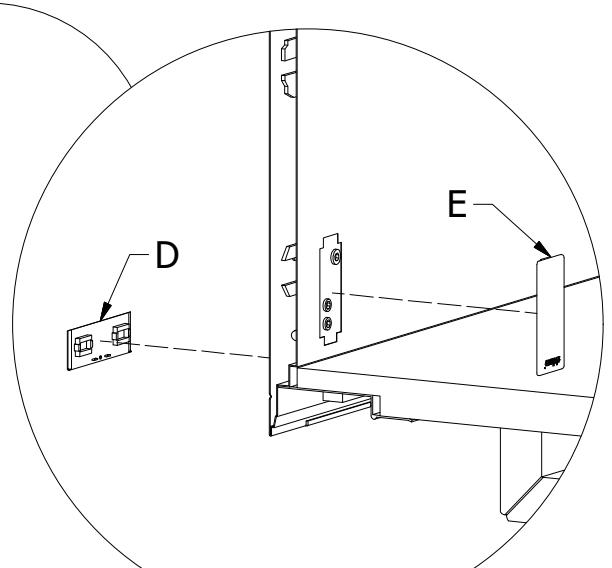
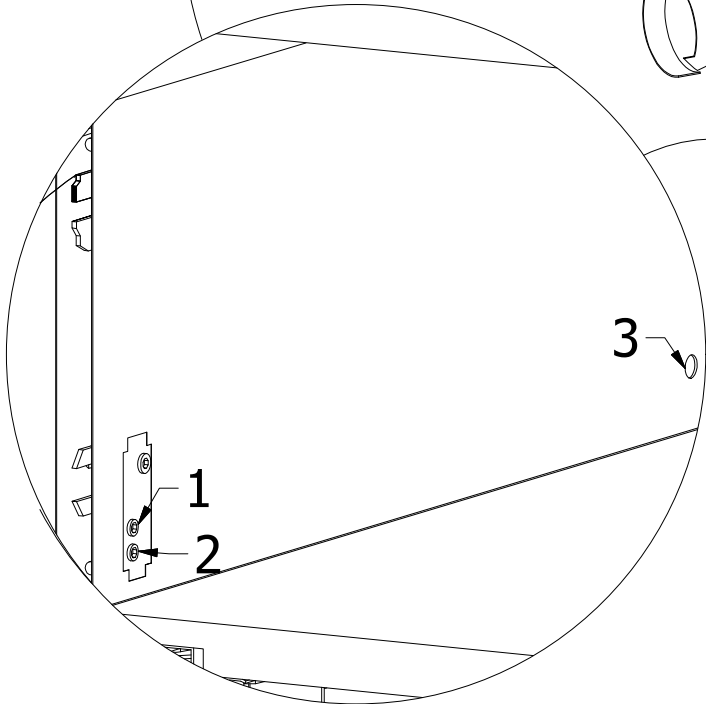
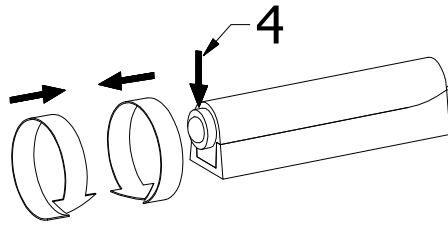
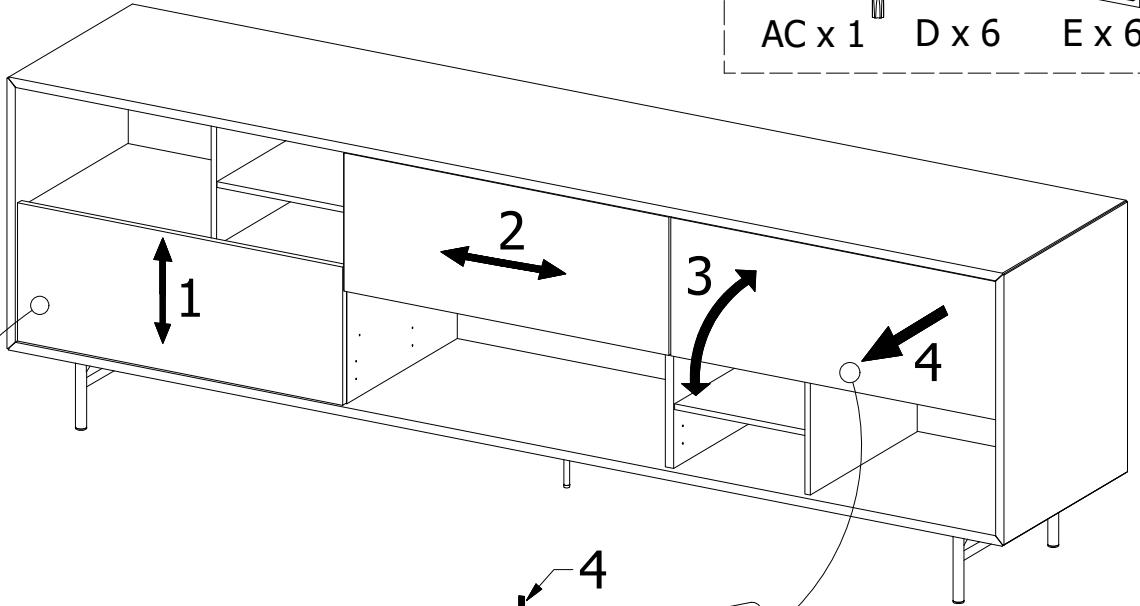
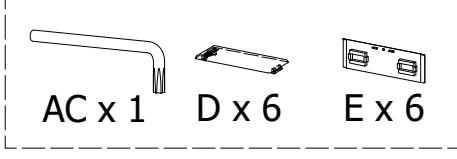


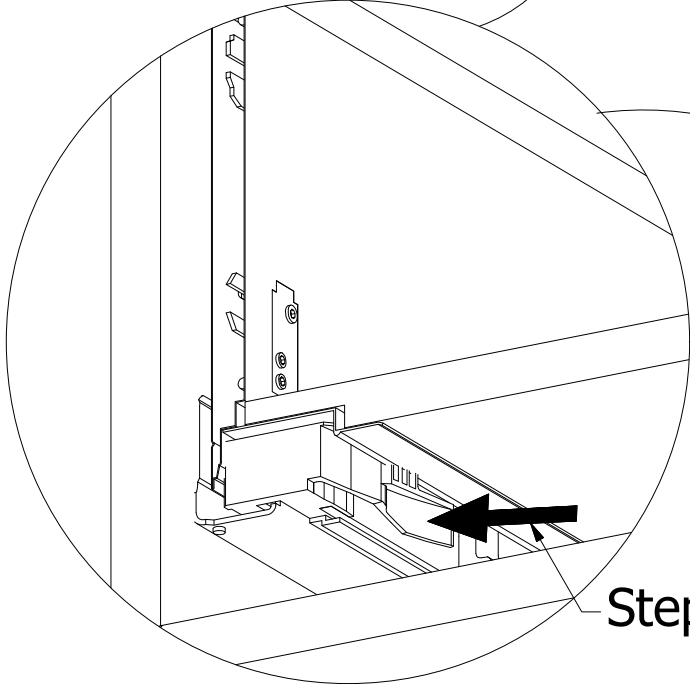
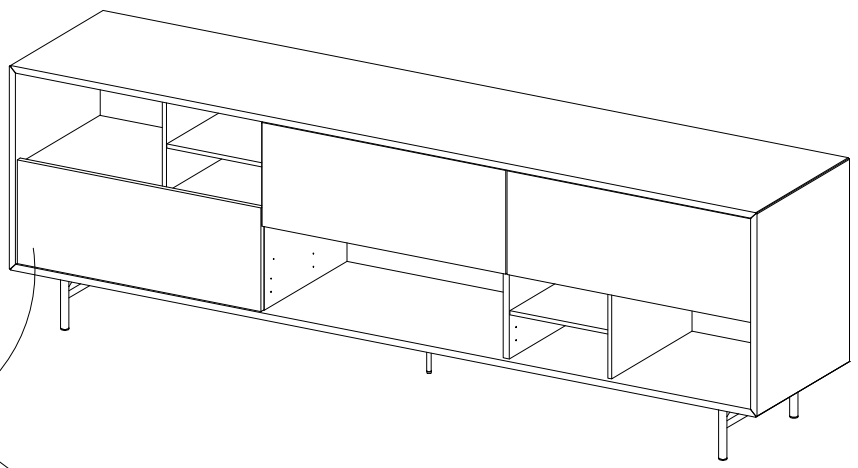
FIG. 18 Adjustment



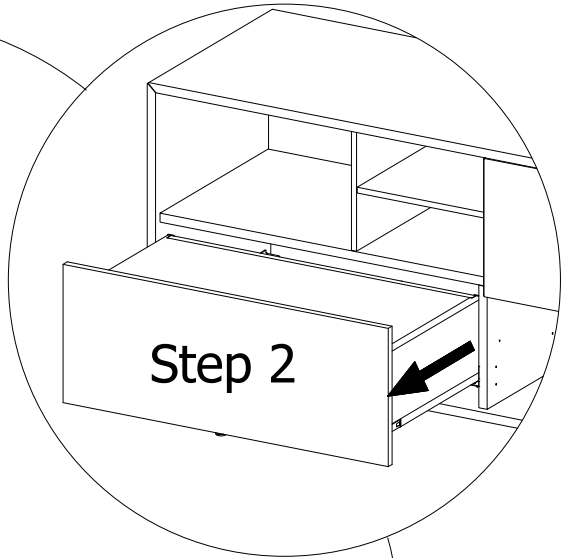
T20



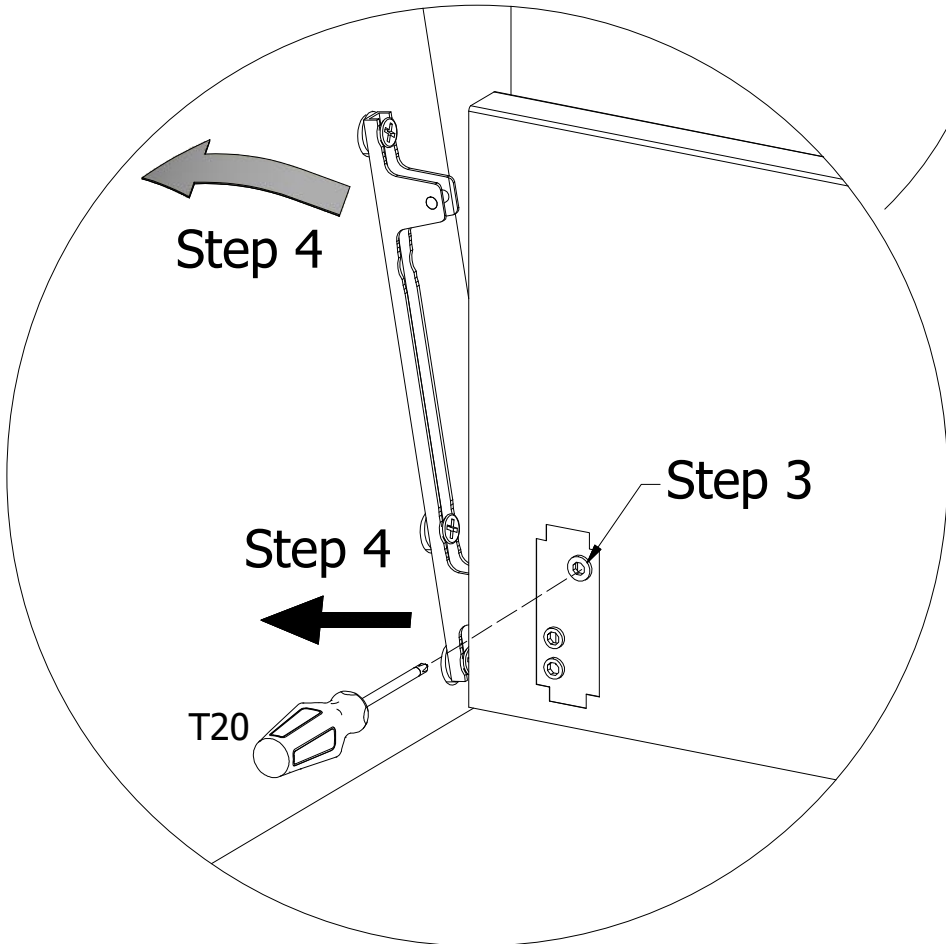
# Disassembly



Step 1



Step 2



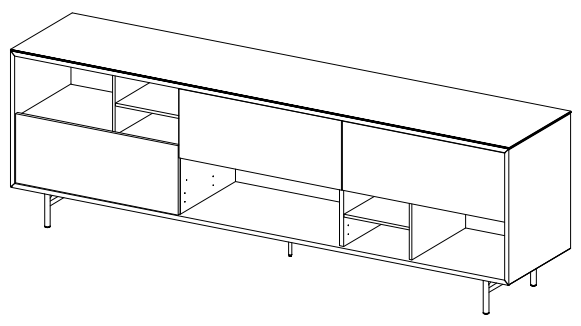
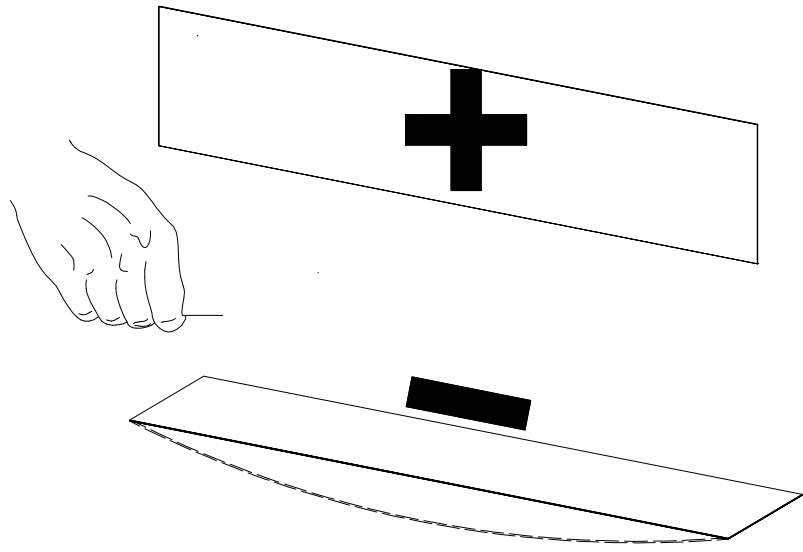
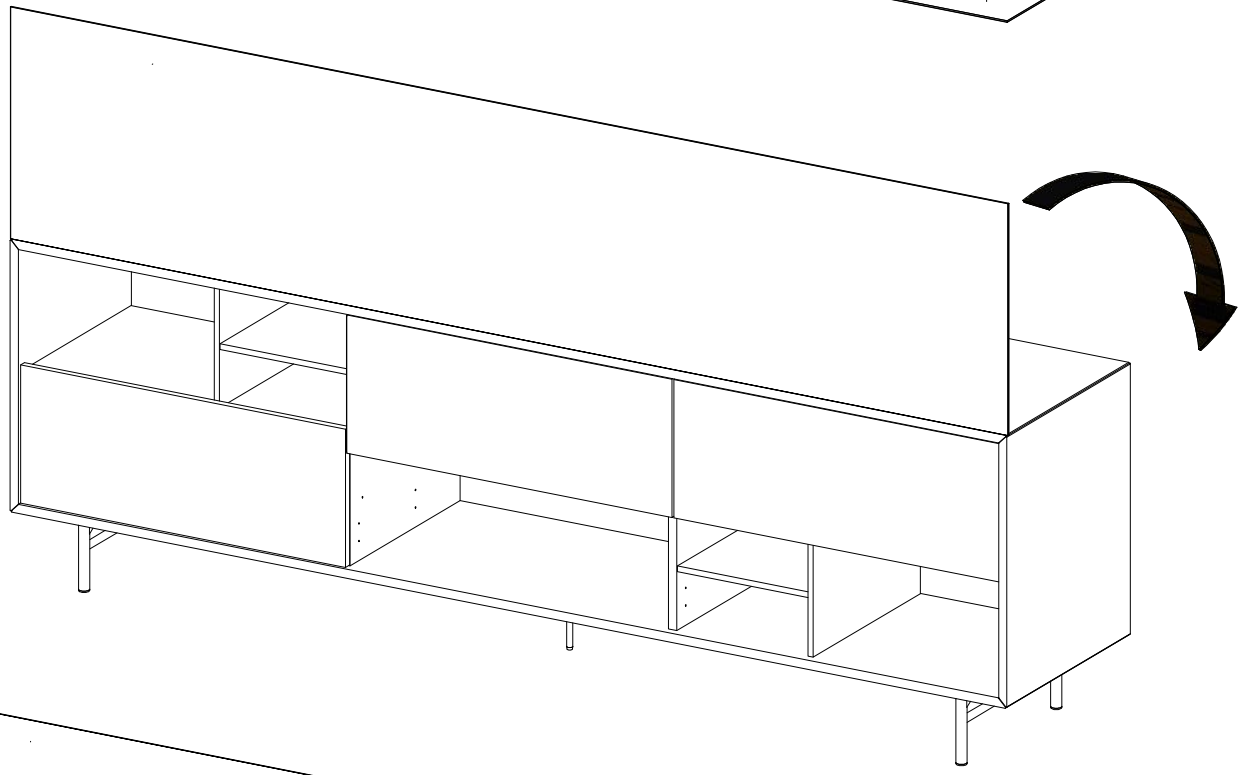
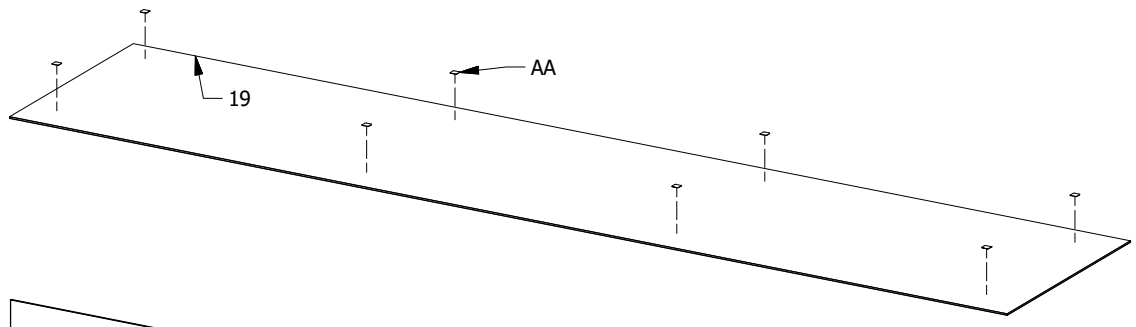
Step 4

Step 4

Step 3

T20

AA x 8



**!** DK Ved reklamation oplyses følgende:  
 D Im Reklamationsfall, bitte folgendes erläutern:  
 US In case of claims, please state the following:  
 F En cas de réclamation, veuillez indiquer:  
 NL Bij service volgene mededelen  
 E En caso de reclamación, indicar lo siguiente:  
 P No caso de reclamação, por favor indique o seguinte:  
**■** JP お気づきの点等ございましたら、以下の点をお知らせください。

**Example!**

