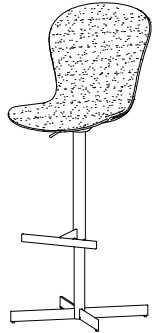


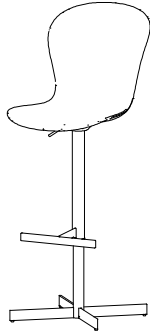
# Adelaide Barstool

Design by BoConcept

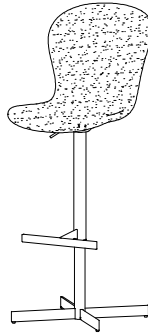
Samvejledning - Assembly Instructions - Montageanleitung - Instructions d'assemblage - Instrucciones de montaje



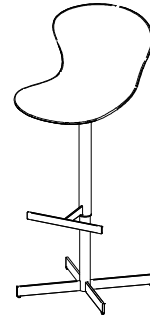
**402-B006**  
2250 + 2130  
<1x2250, 1x2130>



**402-B007**  
2250 + 2110  
<1x2250, 1x2110>



**402-B008**  
2250 + 2170  
<1x2250, 1x2170>



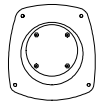
**402-B011**  
2250 + 0090  
<1x2250, 1x0090>

100kg/220lb



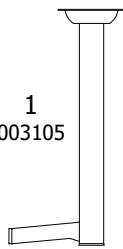
2251 - col 1

4  
004145



1952 - col 2

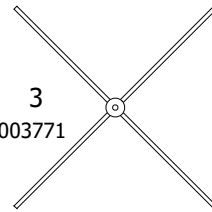
1  
003105



2  
003106



3  
003771



0090



2110

## Beslag - Beschlage - Fittings - Set de montage

2251 - col 1  
Fittingbag: 937000066

K x 4

Spring washer  
979900179



L x 4

Screw ma M6x12  
979900228

1952 - col 2 Fittingbag: 937000022



A x 4

Adjustable foot  
979900358



B x 1

Washer Ø30/10,4x3mm  
979001869



C x 1

M10x55mm  
979003256



D x 1

Allen key 6 mm  
970000807



2130



M x 4

Washer  
979900093



N x 4

Screw ma M6x12 black  
979900213



P x 1

Allen key 4 mm  
970001692



~~E x 2~~

~~Cap screw M6x20 mm~~



~~F x 2~~

~~Cap screw M6x16~~



~~G x 4~~

~~Spring washer~~



~~H x 4~~

~~Washer~~



~~J x 1~~

~~Allen key 5 mm~~



2170

FIG. 1

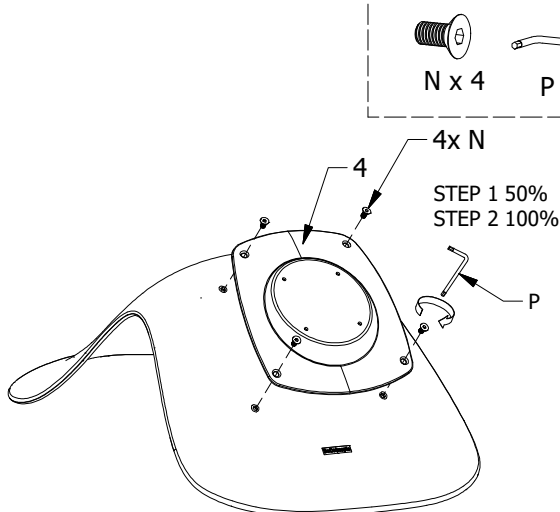
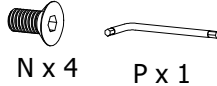
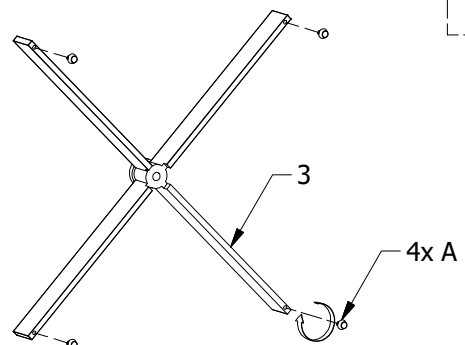


FIG. 2



N x 4

P x 1



Sparepart bag no.  
937000078



A x 4  
979900358

FIG. 3

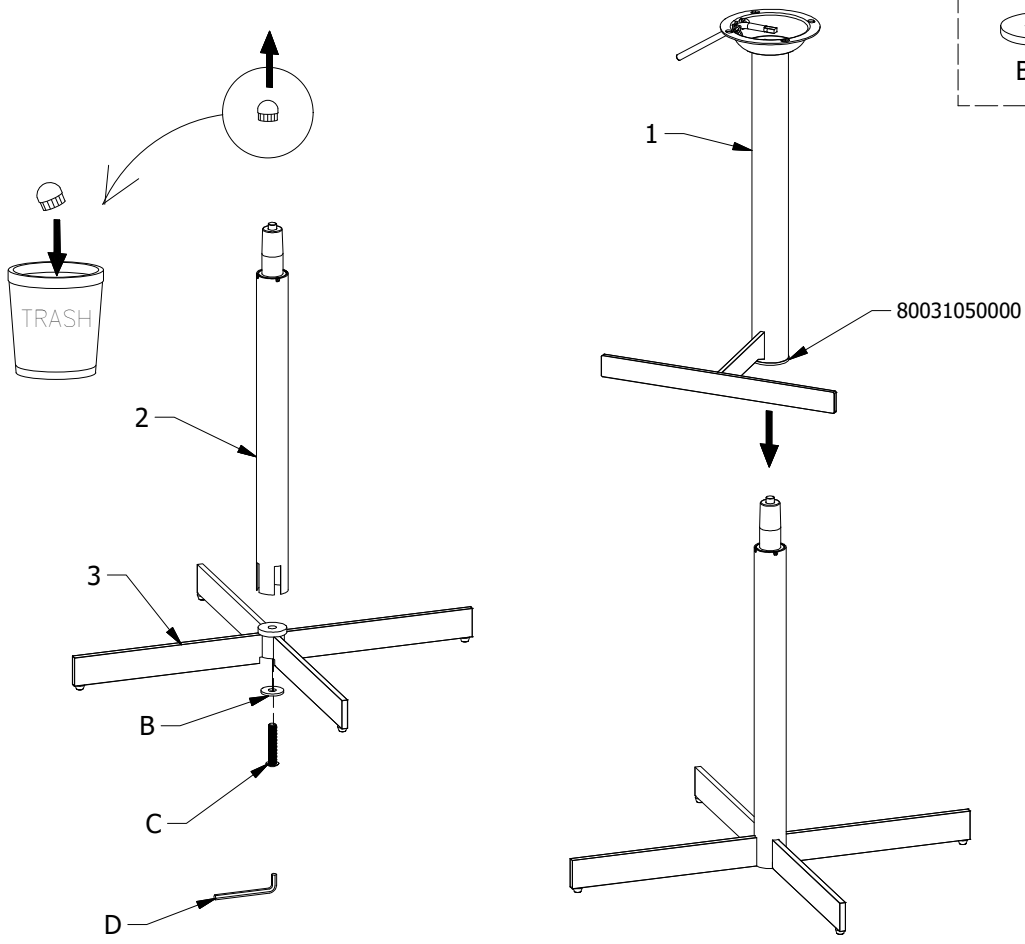
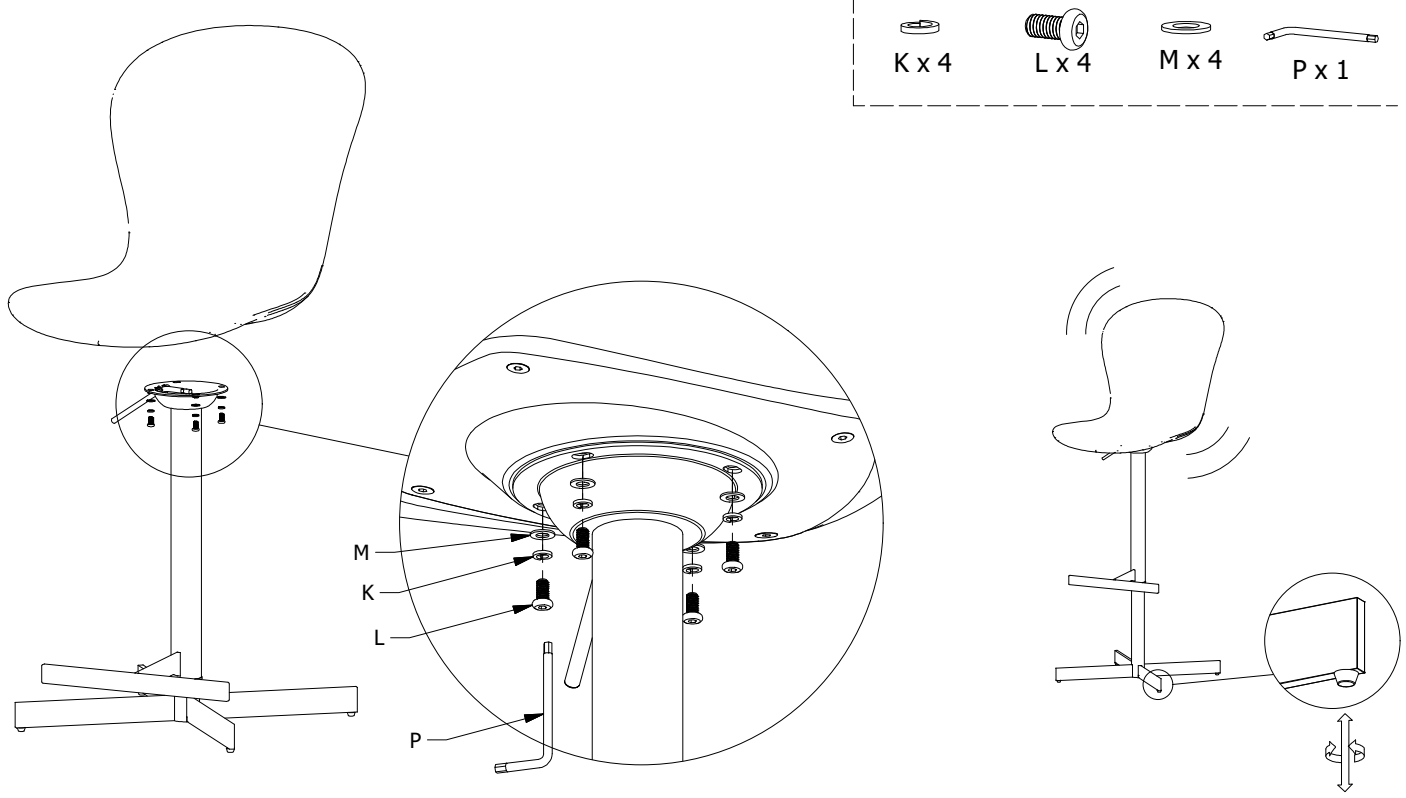


FIG. 4



**!** DK Ved reklamation oplyses følgende:  
 D Im Reklamationsfall, bitte folgendes erläutern:  
 US In case of claims, please state the following:  
 F En cas de réclamation, veuillez indiquer:  
 NL Bij service volgene mededelen  
 E En caso de reclamación, indicar lo siguiente:  
 P No caso de reclamação, por favor indique o seguinte:  
**■** JP お気づきの点等ございましたら、以下の点をお知らせください。

**Example!**

<p>Korpus - Korpus - Carcasse - Carcasse</p>	<p>Beslag - Fittings - Beschläge - Set de Montage</p> <table border="0"> <tr> <td></td> <td></td> <td></td> </tr> <tr> <td></td> <td></td> <td></td> </tr> </table>						