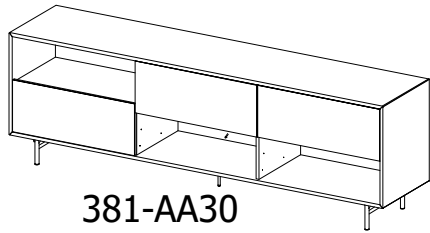


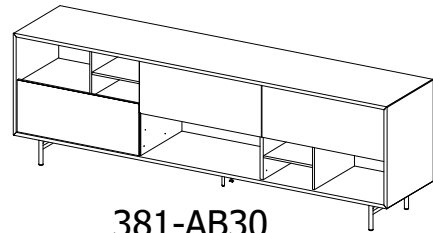
Manhattan

Design by BoConcept

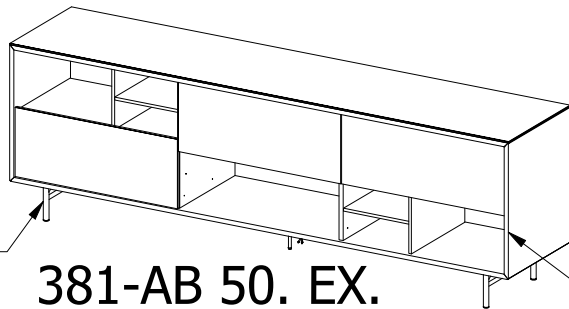
Samvejledning - Assembly Instructions - Montageanleitung - Instructions d'assemblage - Instrucciones de montaje



381-AA30
74,0x228,5x49,0 cm Max 90 kg.



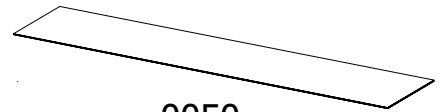
381-AB30
74,0x228,5x49,0 cm Max 90 kg.



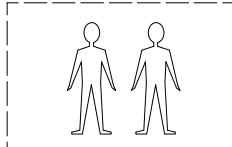
381-0030

381-AB 50. EX.
0020-0030-0050
74,0x228,5x49,0 cm

381-0020



0050
0,4x228,5x49,0 cm



381-0011

005852

1

005851

6

381-0012

005902

7

005903

9

002863

5

381-0013

005899

2

005900

3

005901 x 4

4

381-0014

006037 x 3

10

006039 x 3

11

005873 Wood

005940 Ceramic

8 Left X 1

006251 Wood

006252 Ceramic

18 Right X 2

381-0014 Fitting box 930001063 x3

006035

16

006036

17

Fitting box 930001060 x3

B x 1

18

970001834

C x 1

18

970001835

381-0025

005887 x 2

12

005904 x 2

13

005905 x 2

14

Fitting box 930001044

F x 6

18

970001825

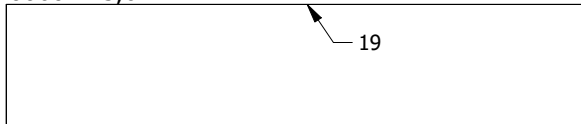
G x 8

18

970001723

381-0050

006041 3,5 mm
006042 5,6 mm



381-0050
Fitting bag
937000132

AA x 8
970001345

AJ x 1
970001627
Bolt M6x20 mm
Tube
Adjustable foot M6x15 D13mm

Fitting box (col. 381-0013)

93001043 Walnut
93001048 White
93001049 Espresso



AD x 4
970001118



AE x 4
970000838



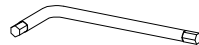
AF x 8
970003110



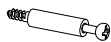
AG x 4
970000883



AH x 4
970001618



AK x 1
970001692



H x 39
970001696



J x 13
970001723



K x 39
970001690
8x30 mm



L x 18
979900041
6x30 mm



M x 15
970001056
Ø12



N x 24
970001452
Ø15



P x 8
970001383 White
970000599 Walnut
970001384 Espresso

Fitting box (col. 381-0014)

930001045



A x 6
970001836



D x 6
970001838



E x 6
970001837



S x 12
970001680
4,2x9,5 mm



V x 3
970001819



Z x 3
970001820



Y x 3
970001821



AB x 30
970001718
3,5x15 mm



AC x 1
970001899

FIG. 1

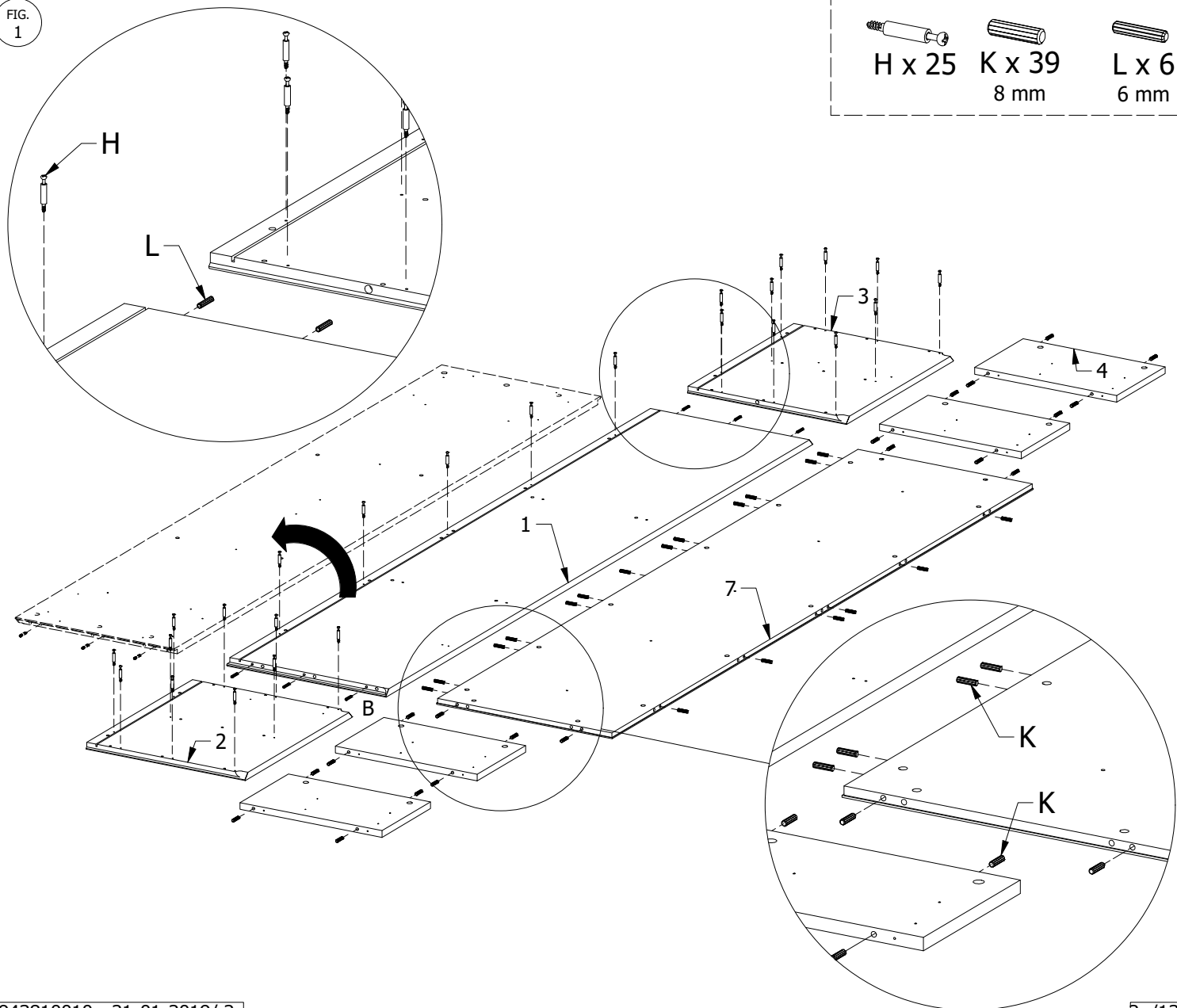


FIG. 2

M x 15 N x 14

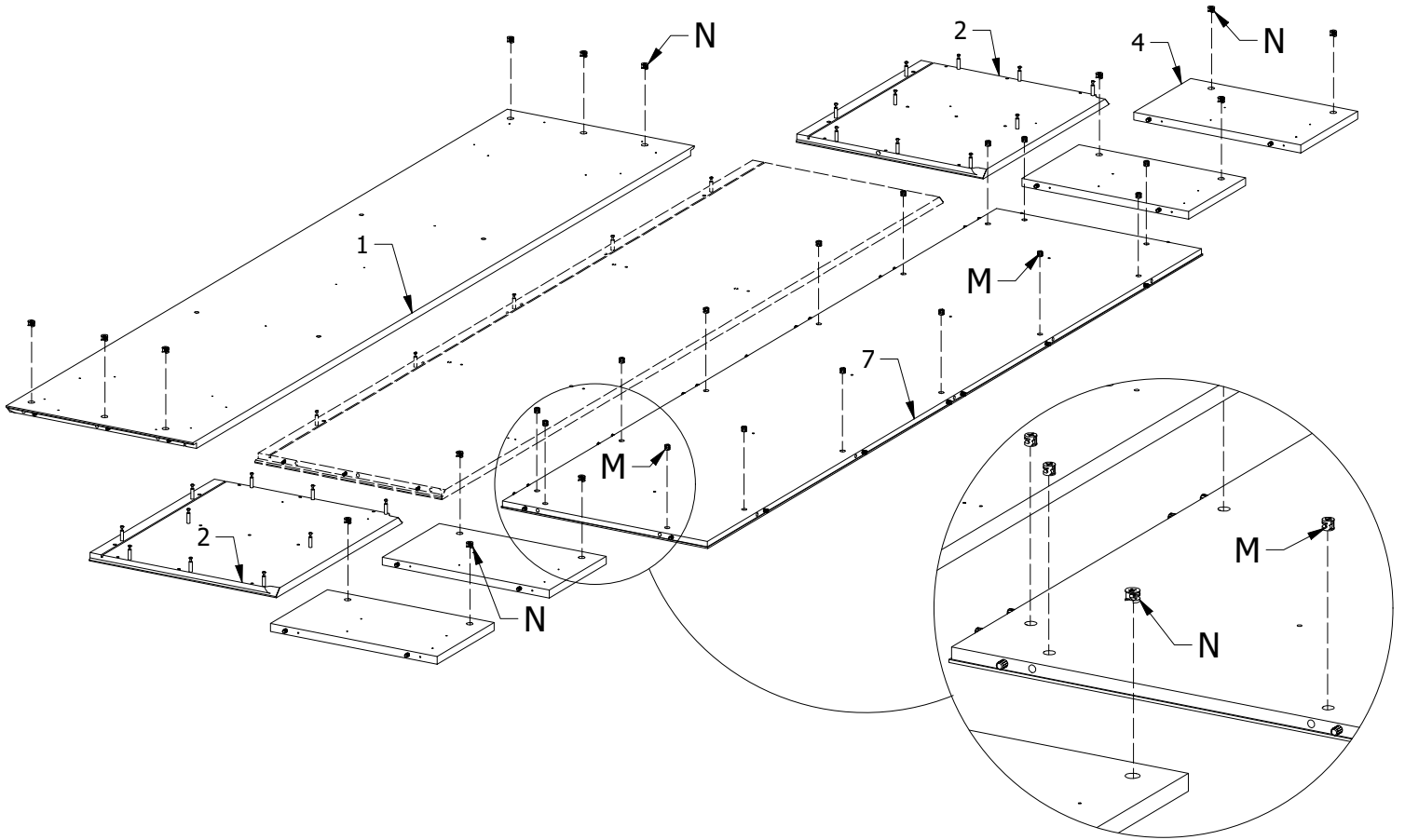


FIG. 3

N x 10 H x 14 L x 12
6 mm

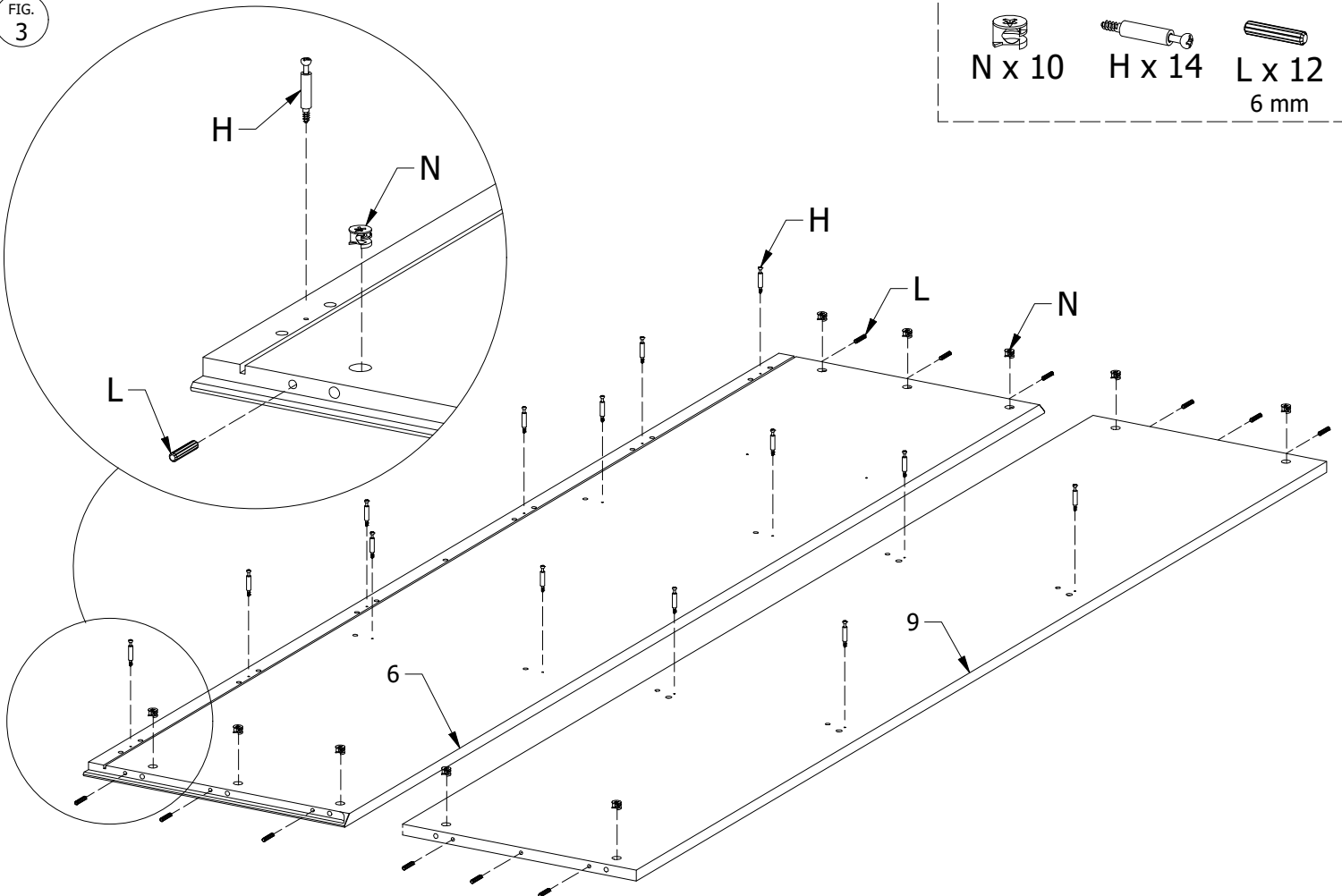
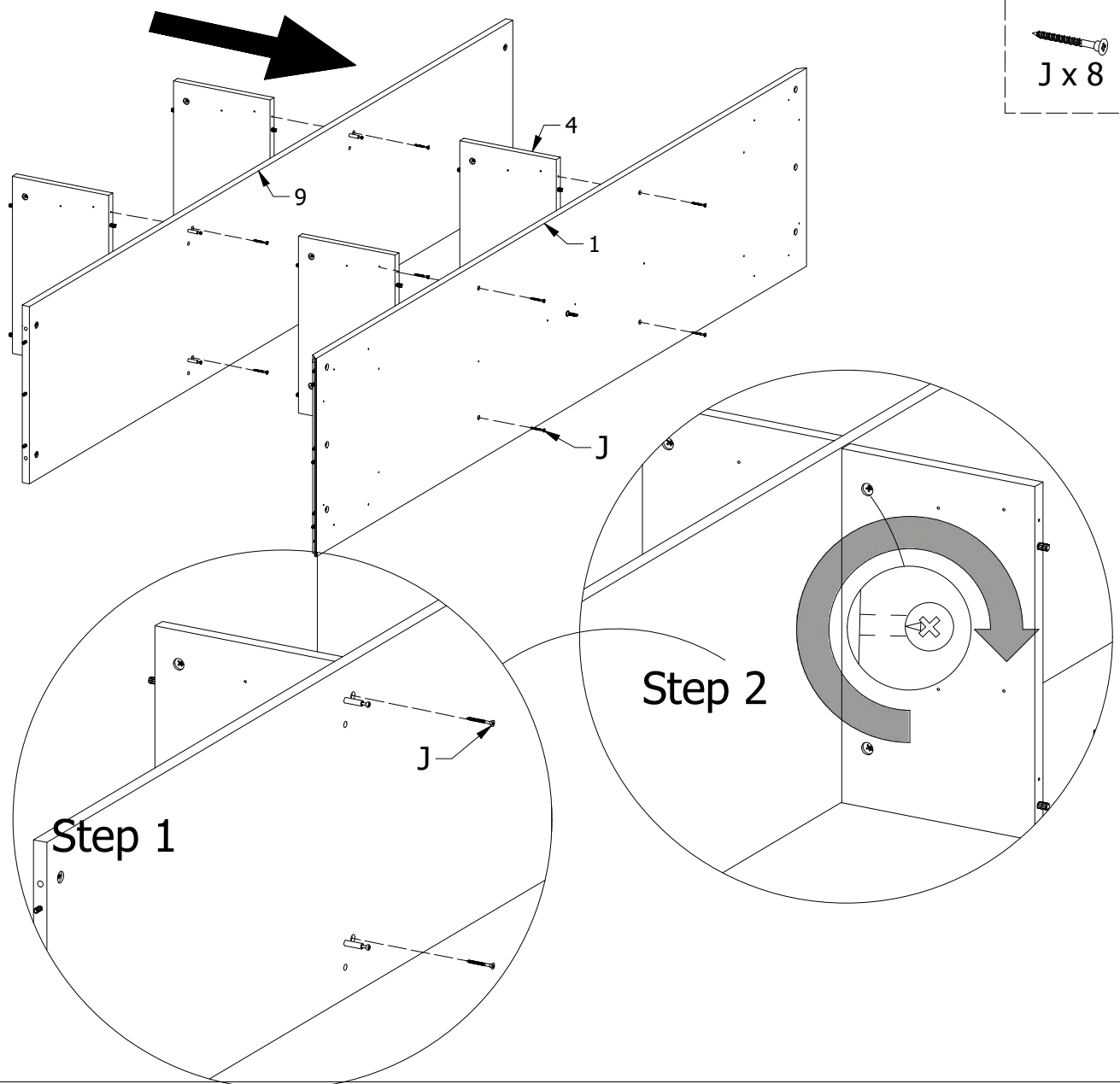


FIG. 4



J x 8

FIG. 5

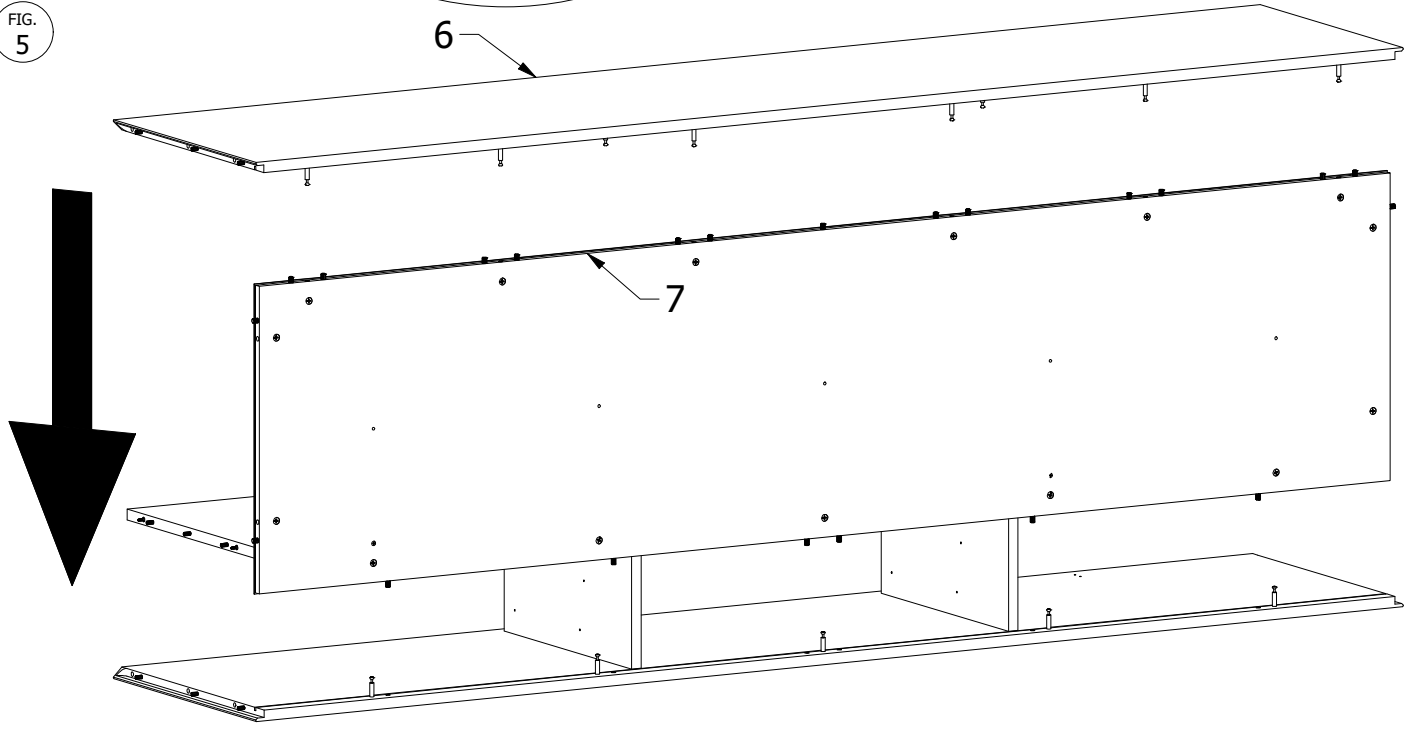


FIG. 6

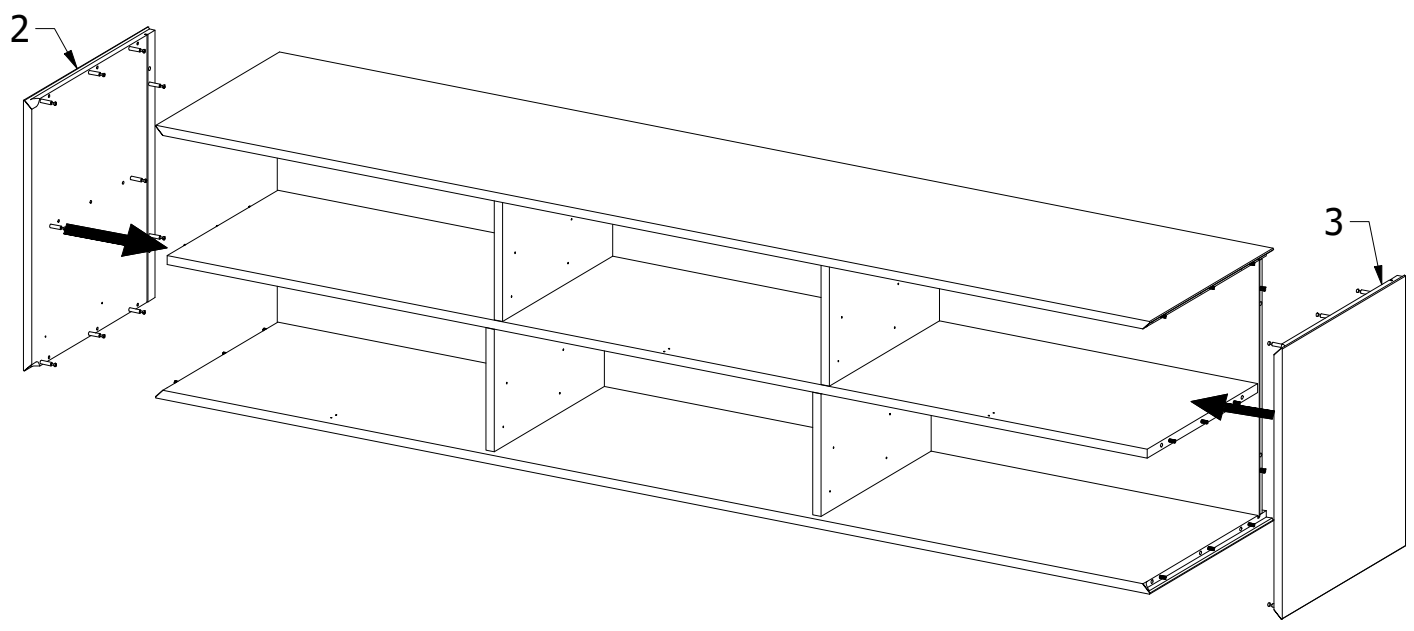


FIG. 7

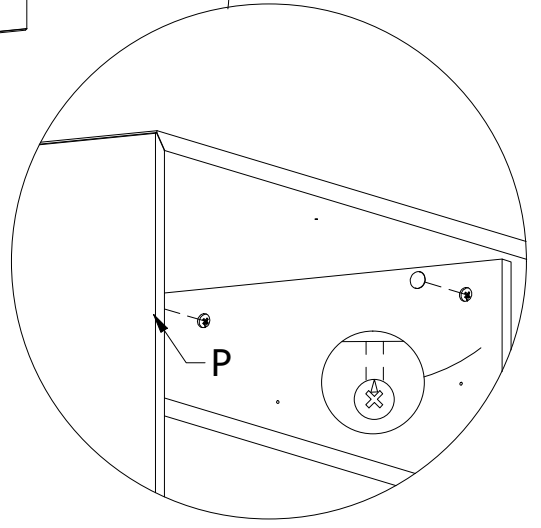
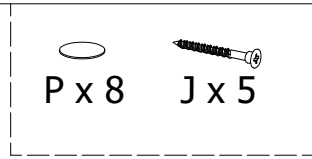
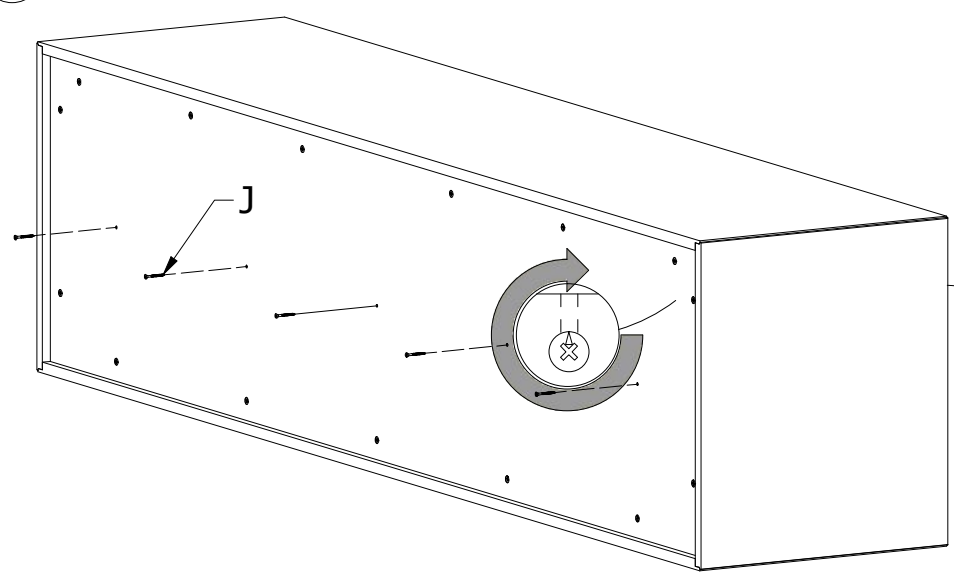


FIG. 8

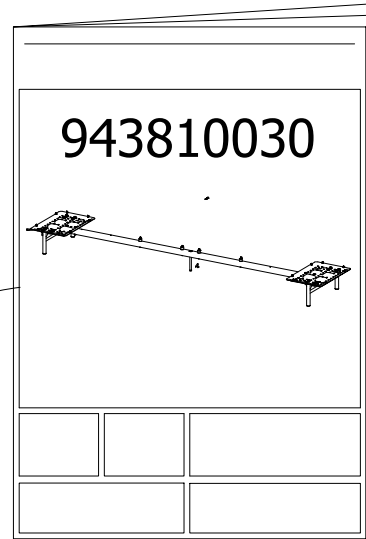
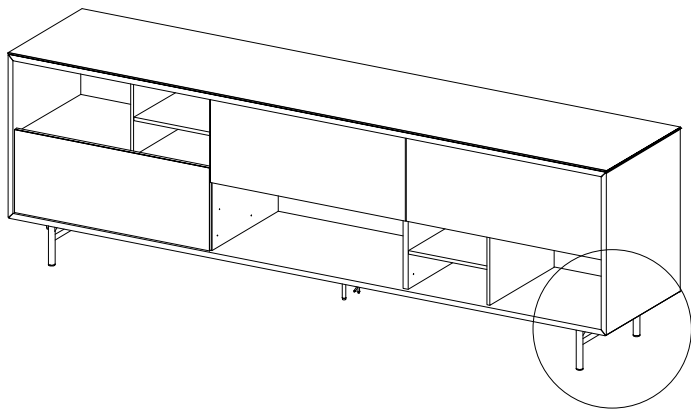


FIG. 9

- F x 4
- AB x 6
- V x 3
- Z x 3
- Y x 3

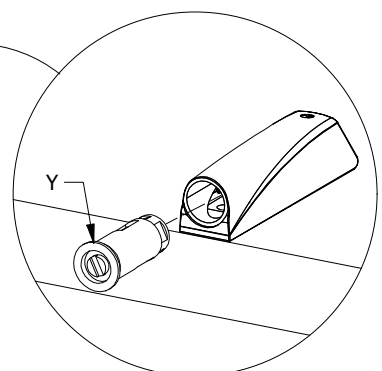
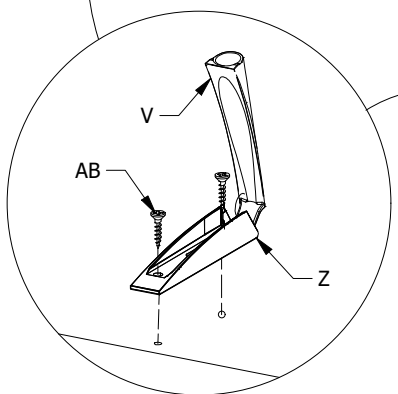
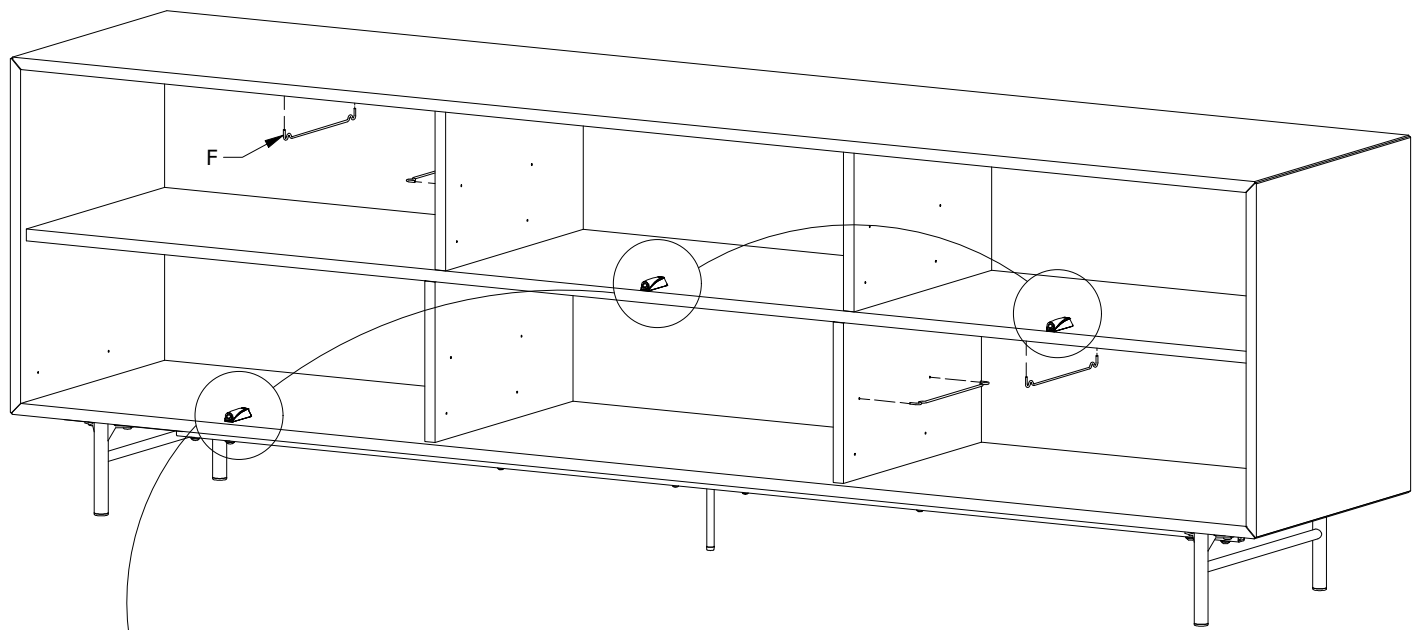


FIG. 10

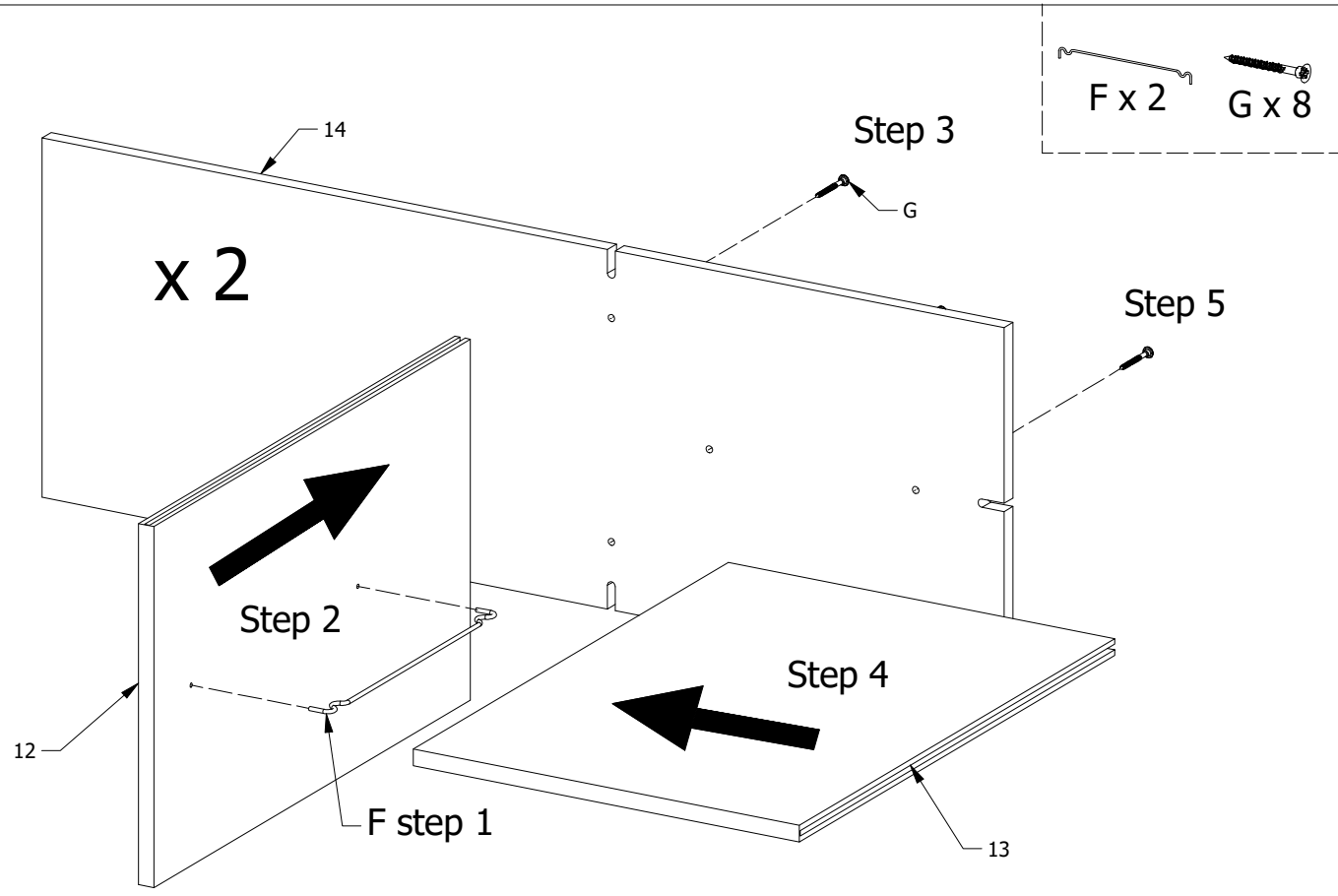
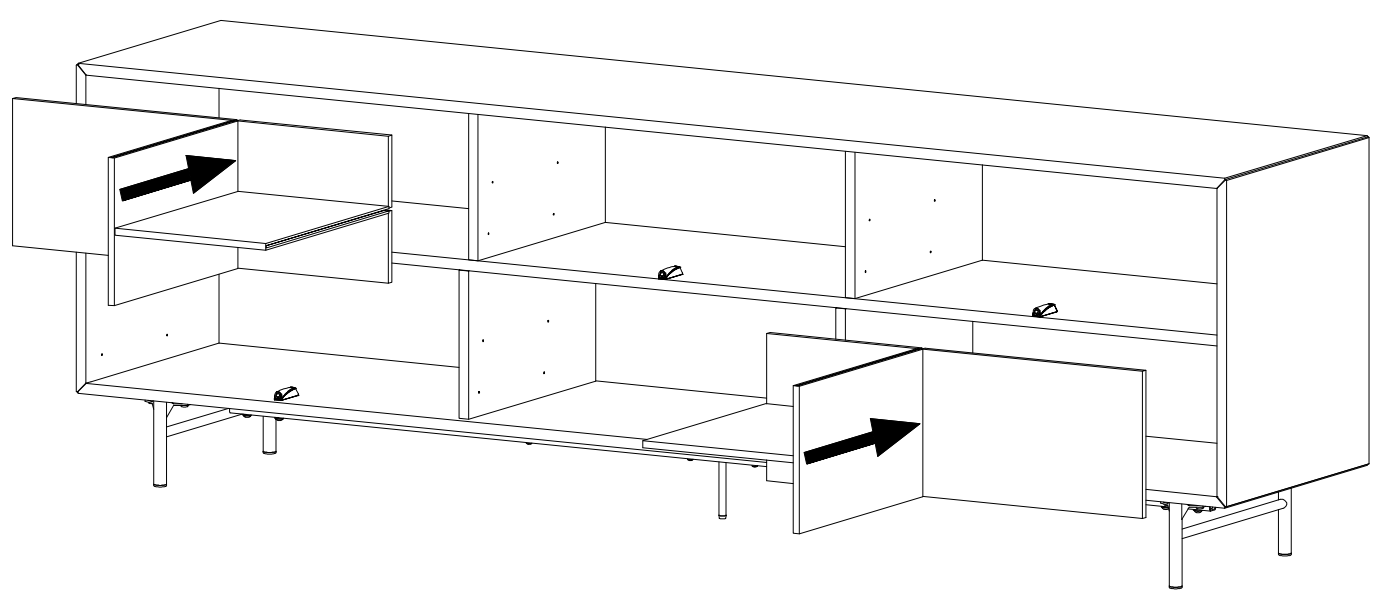
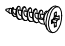





FIG. 11



-  AB x 12
-  B x 3
-  C x 3
-  S x 12

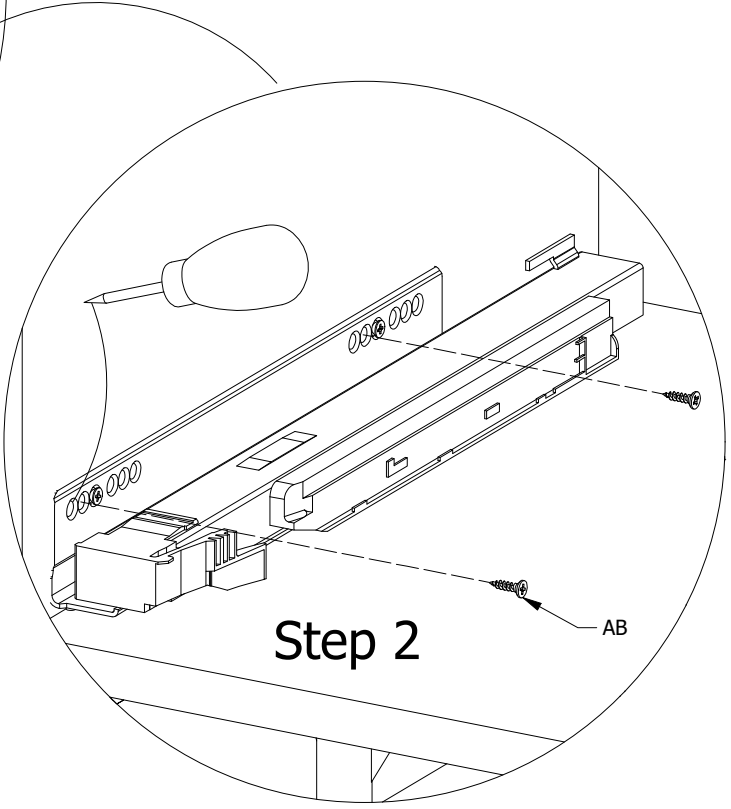
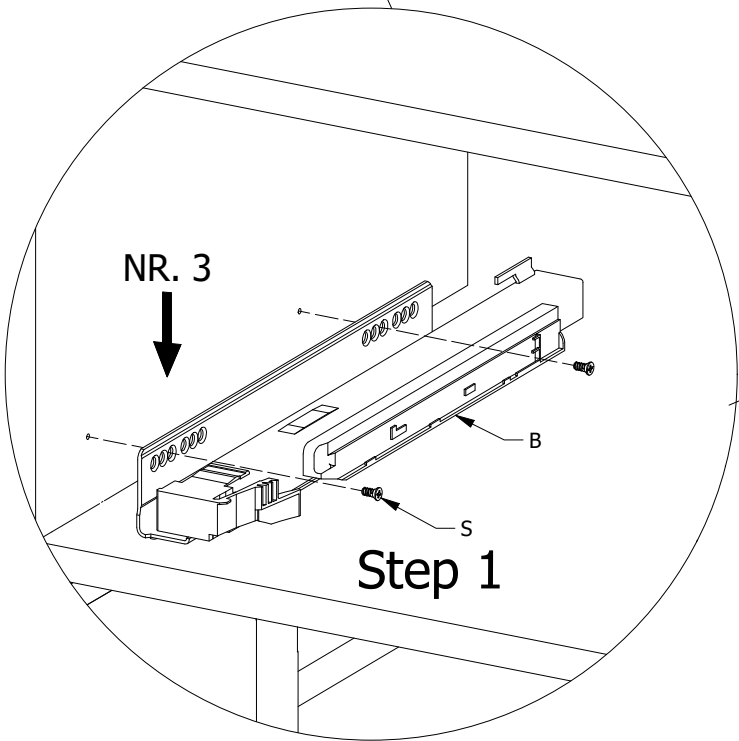
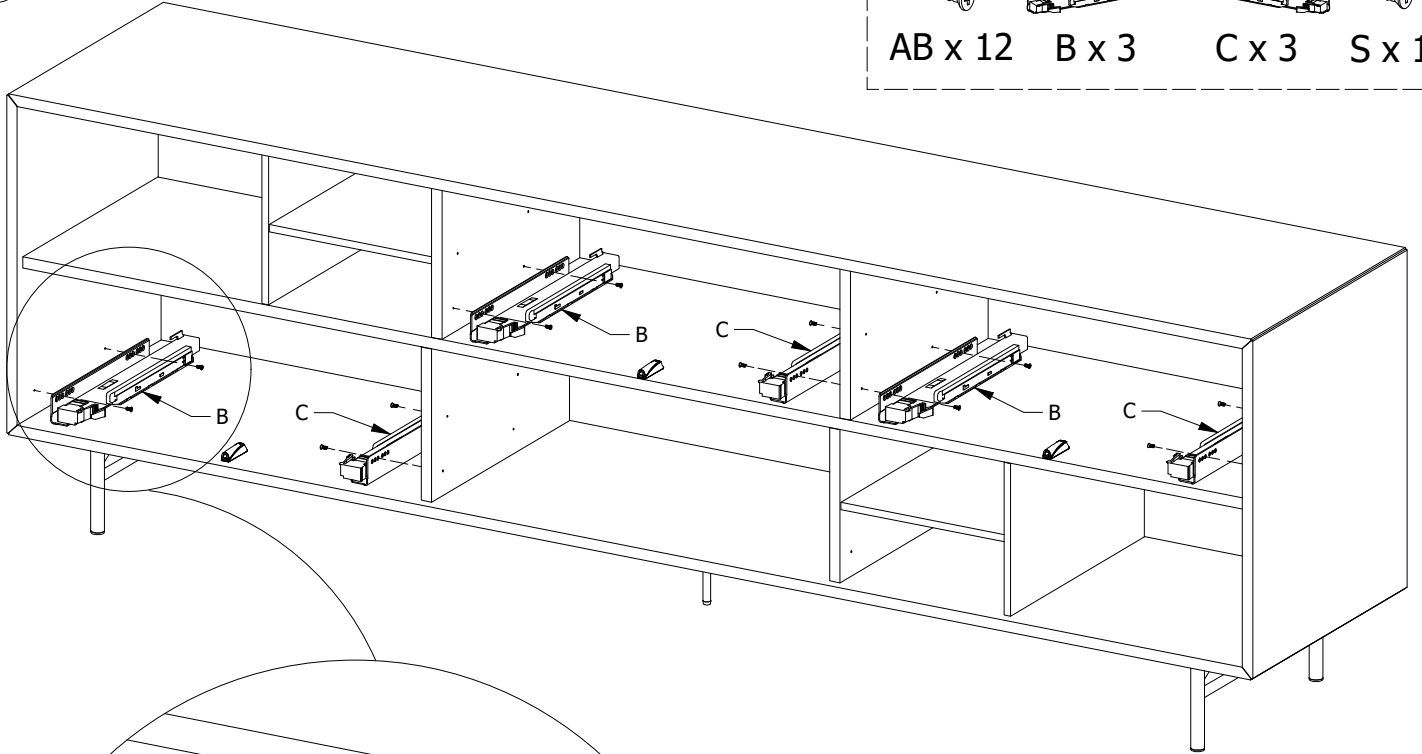


FIG. 13

A x 6

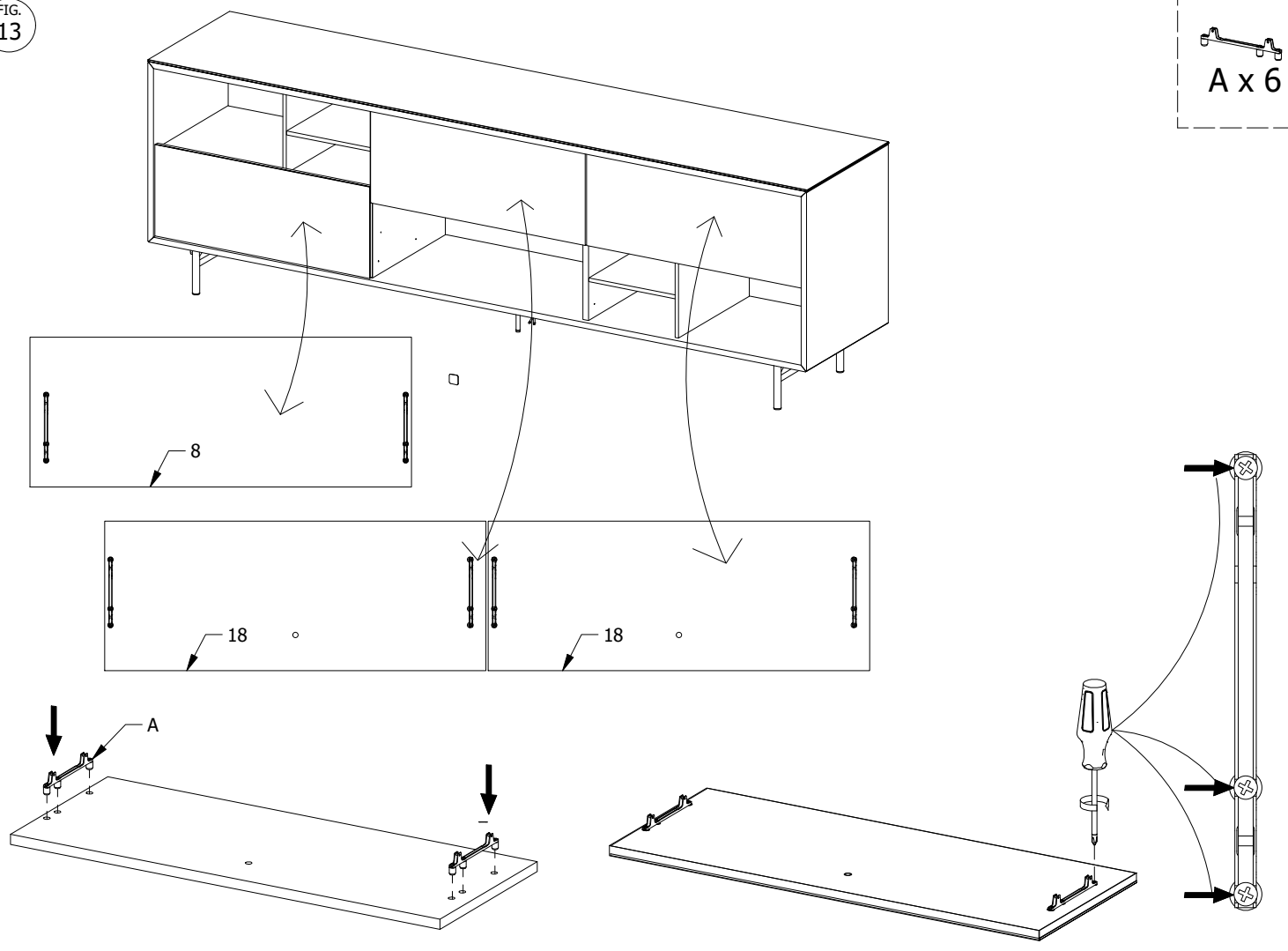


FIG. 14

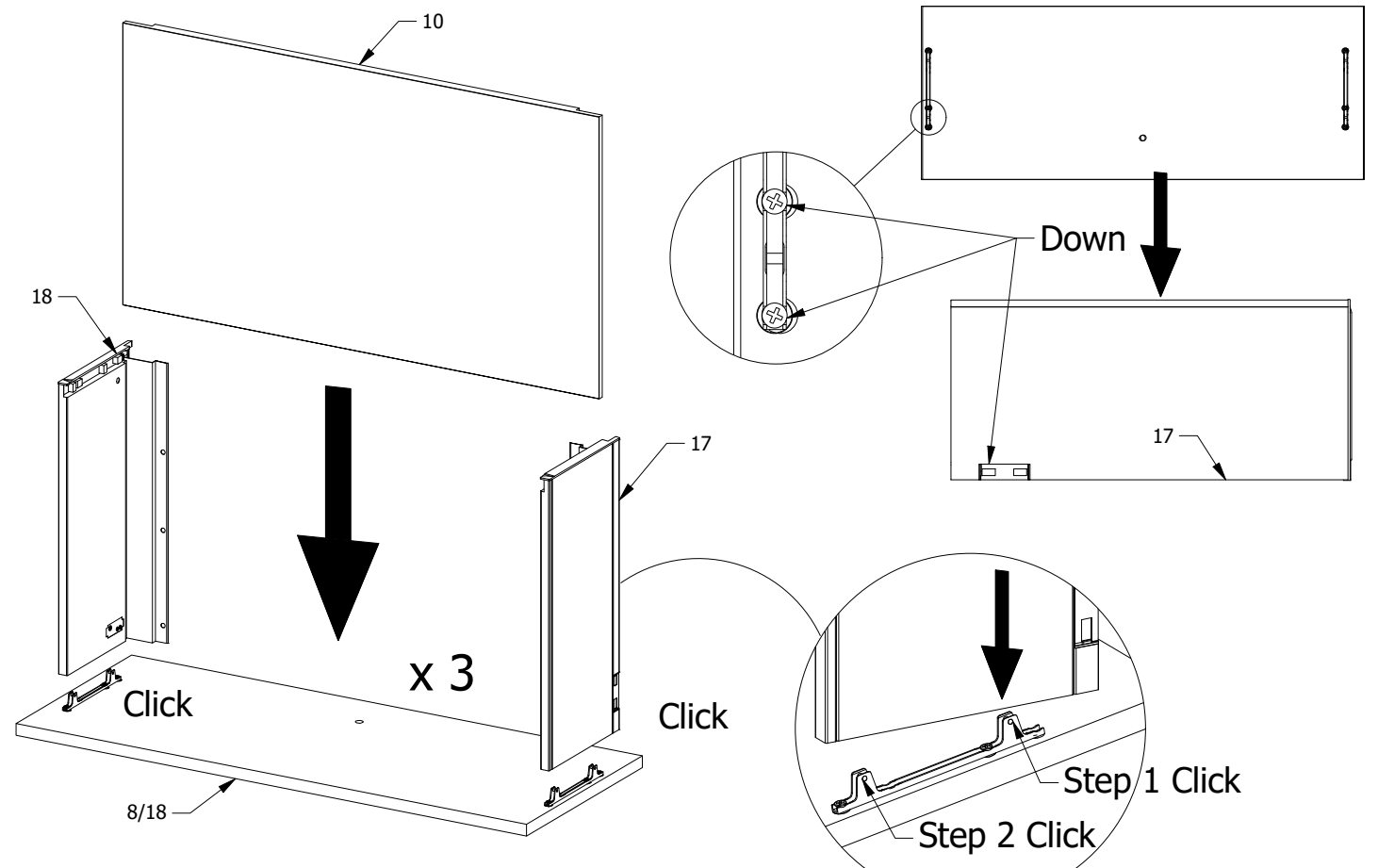


FIG. 15

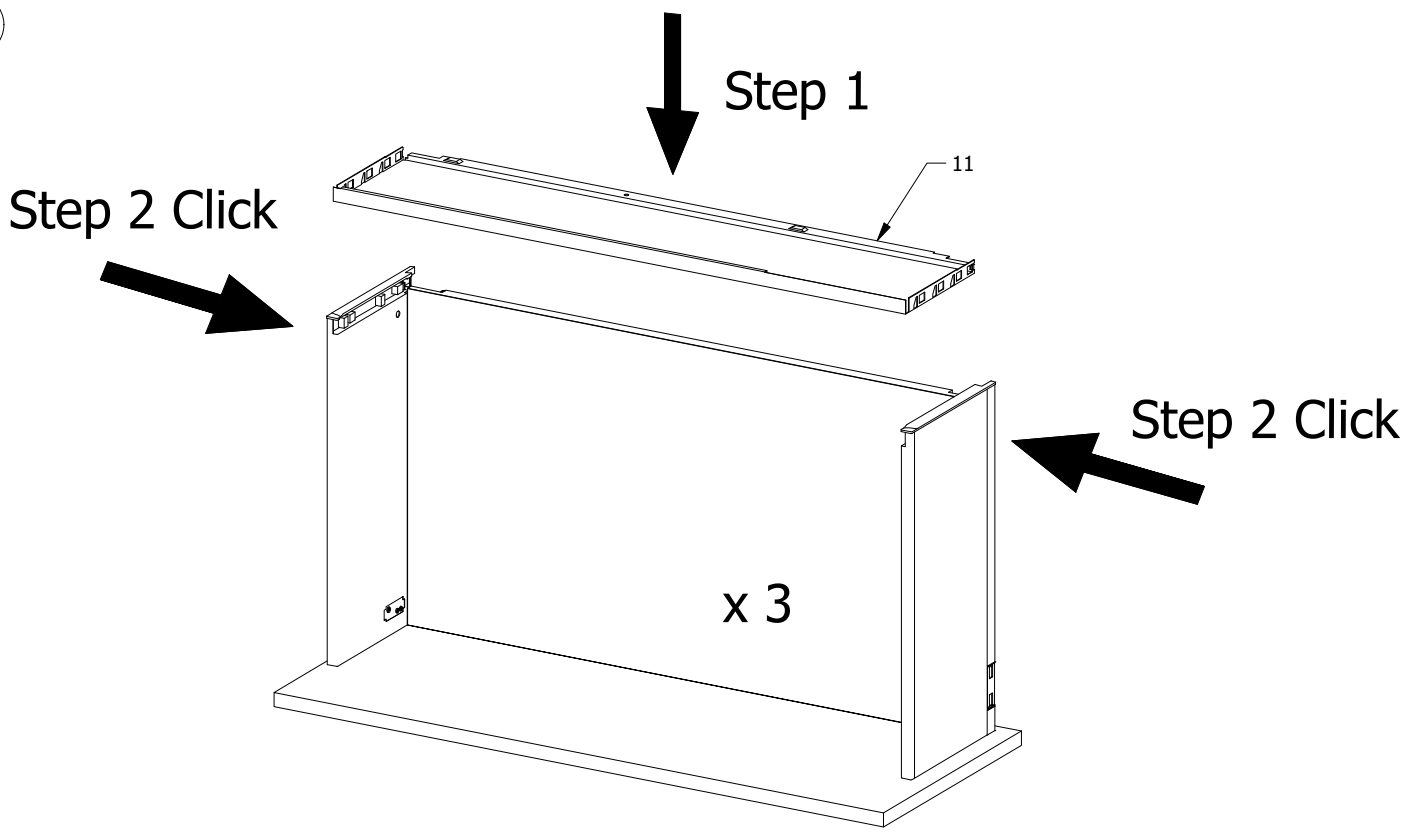
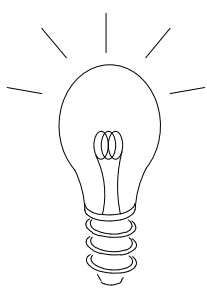
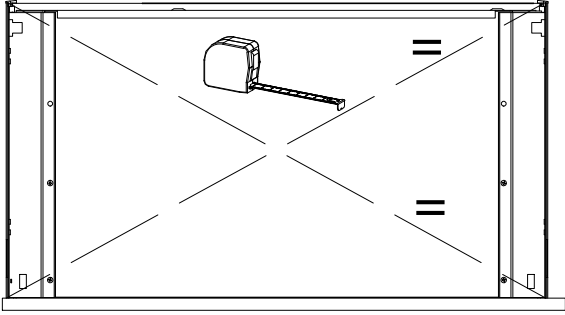



FIG. 16




AB x 12
3,5x15 mm

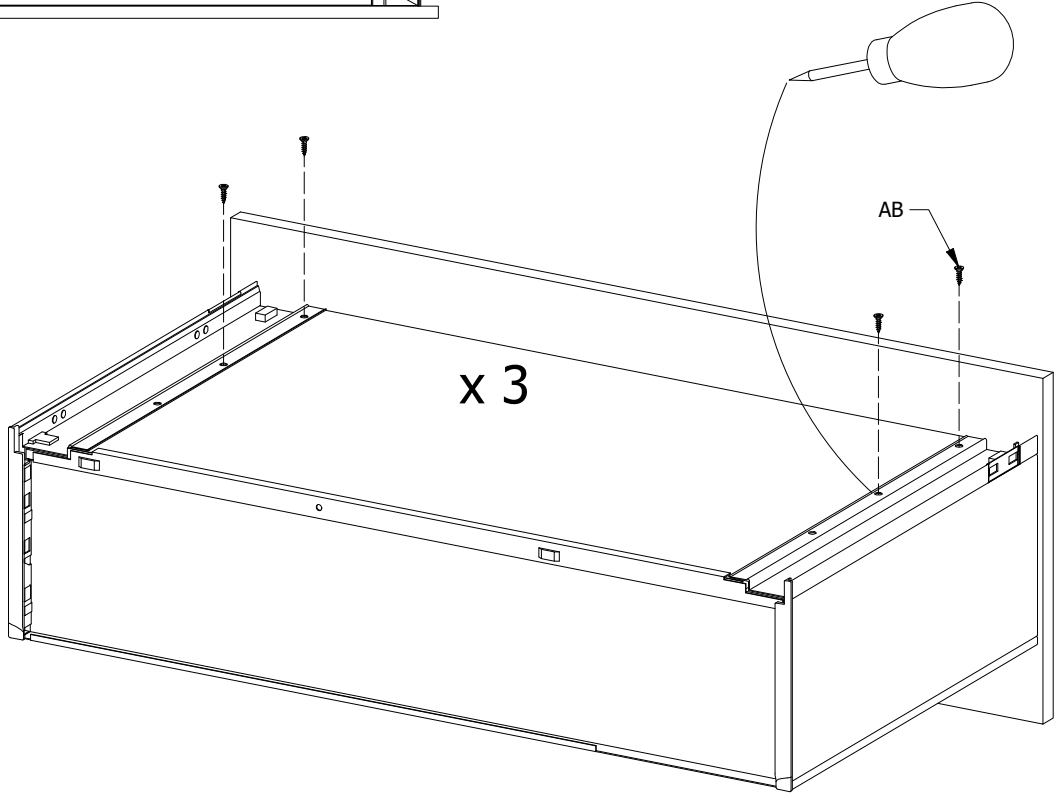


FIG. 17

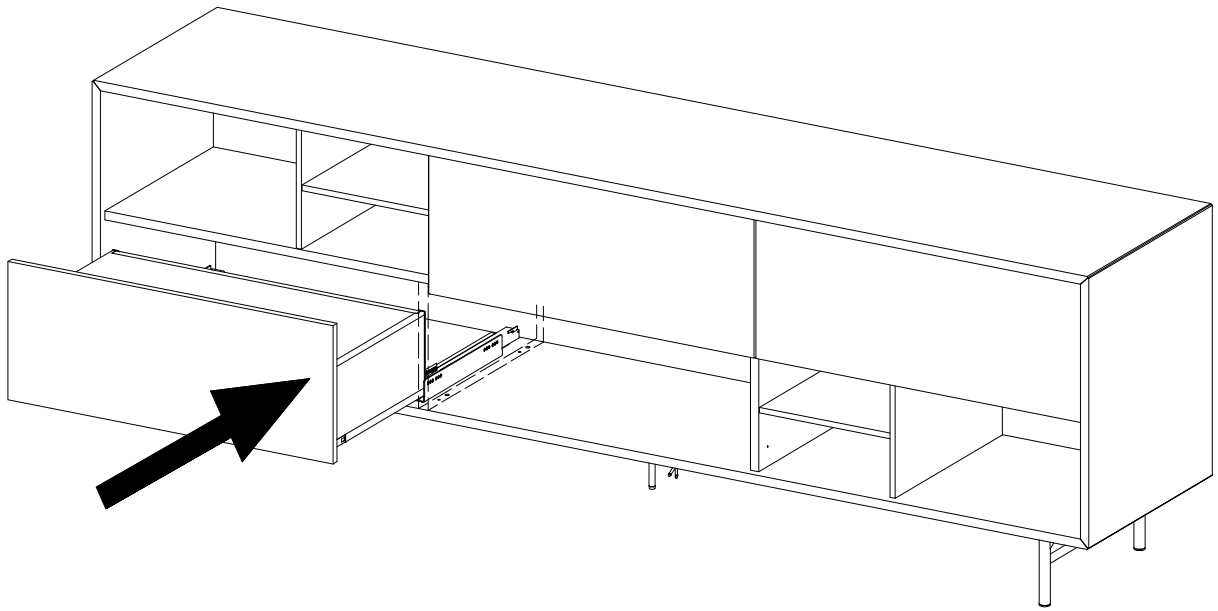
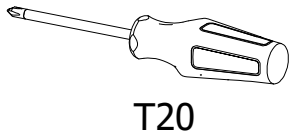
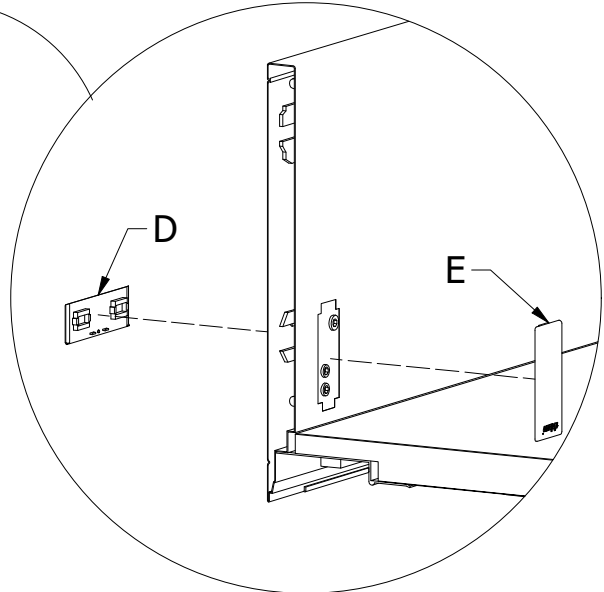
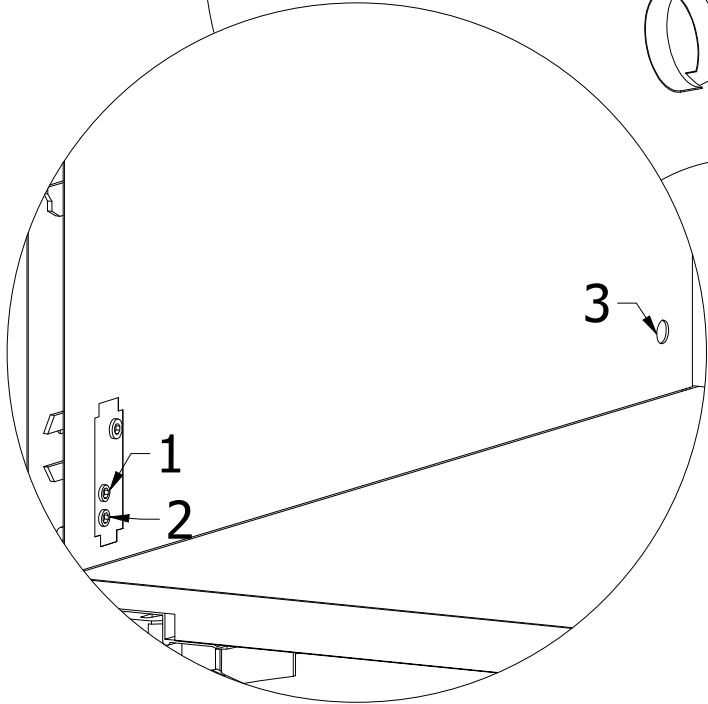
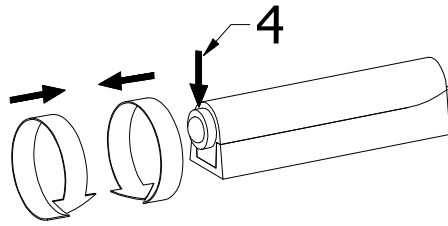
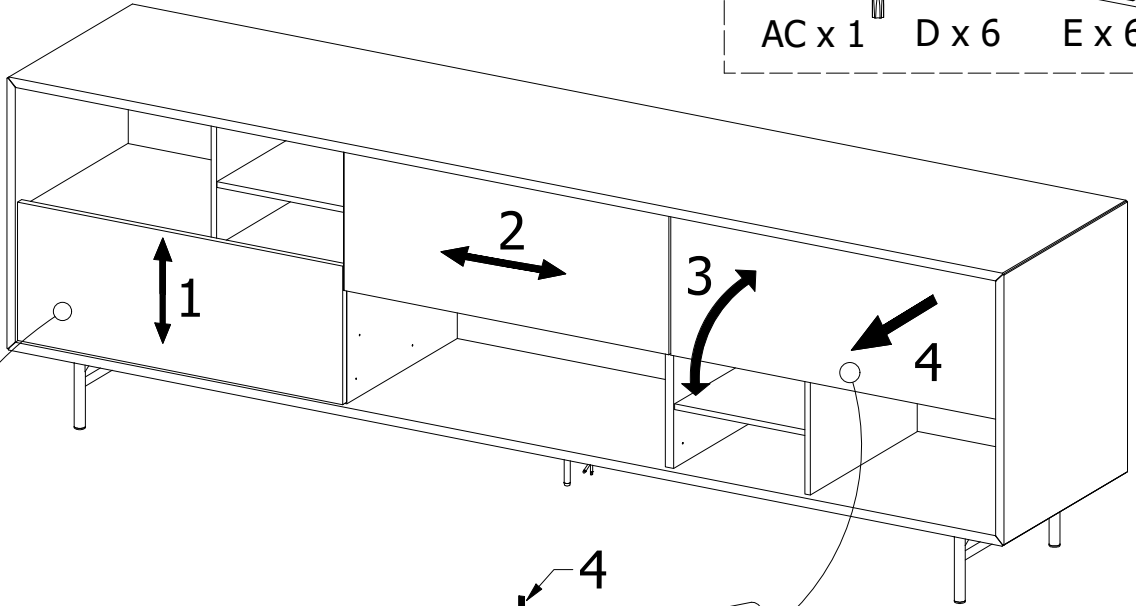
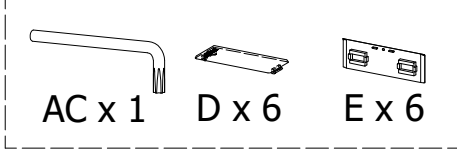


FIG. 18

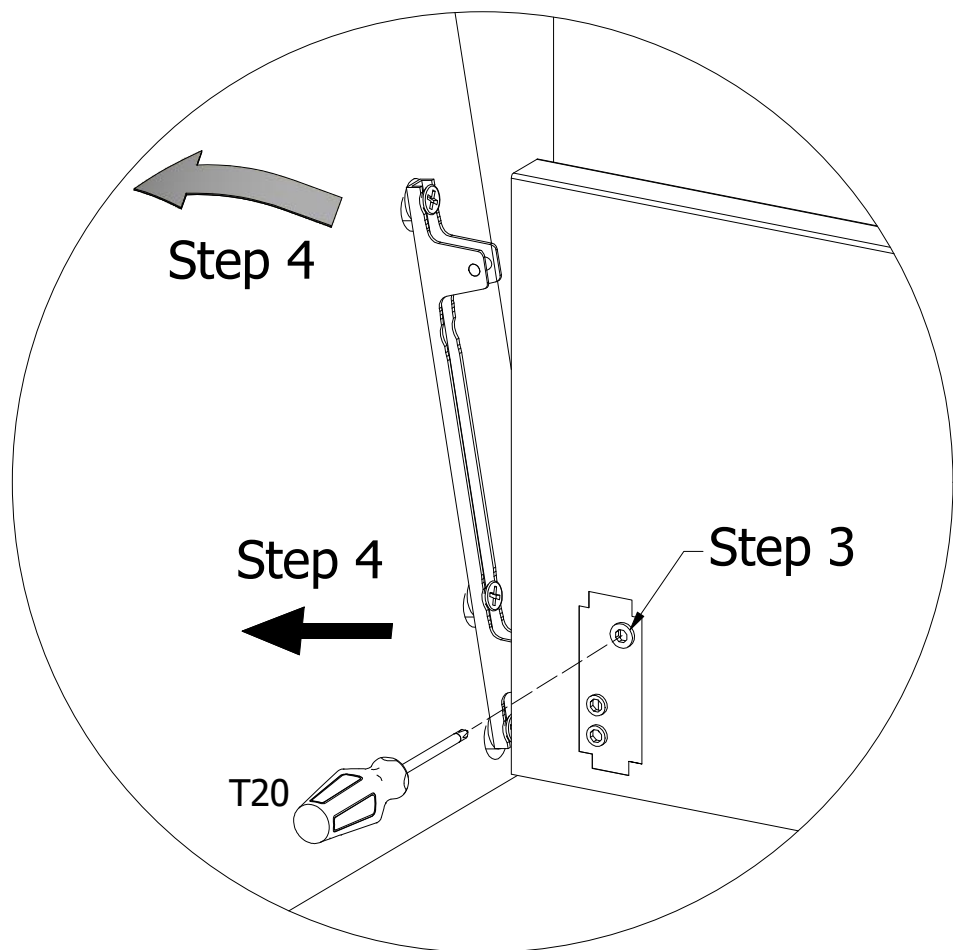
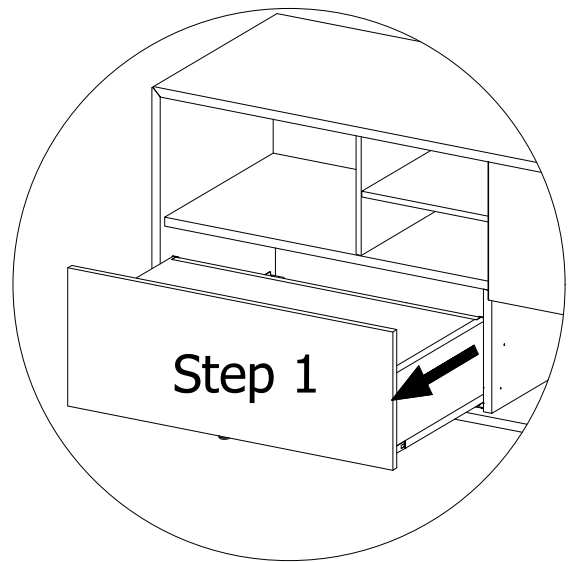
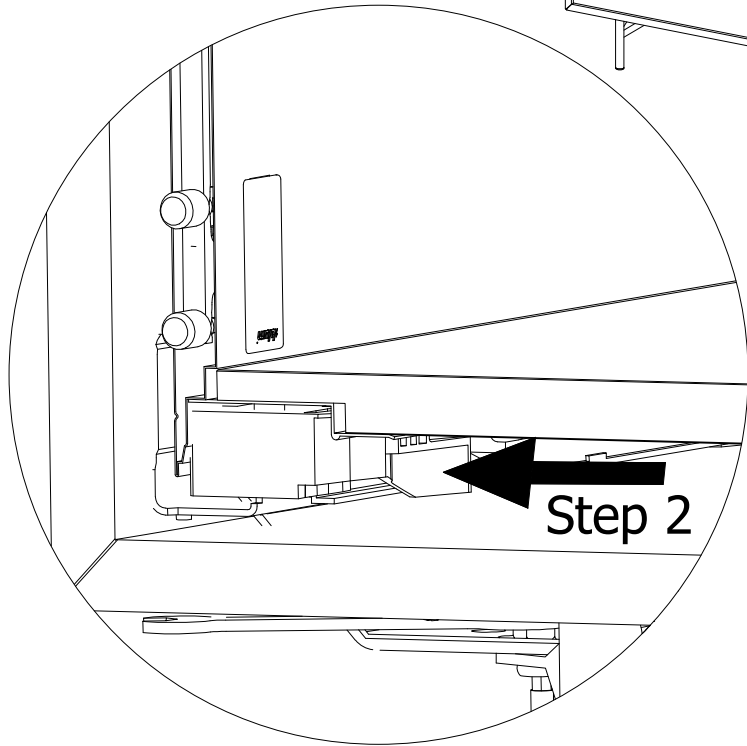
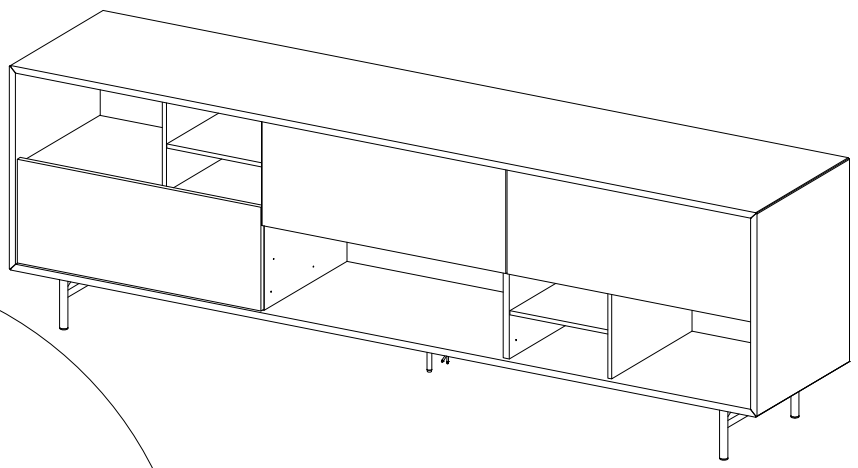
Adjustment



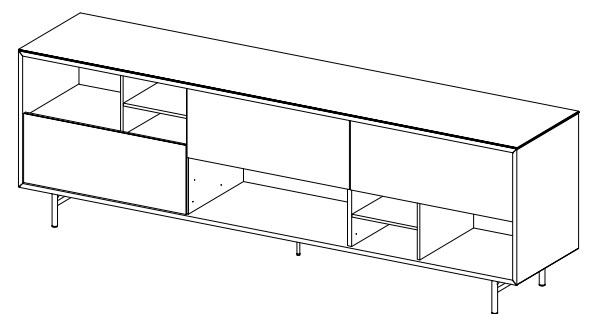
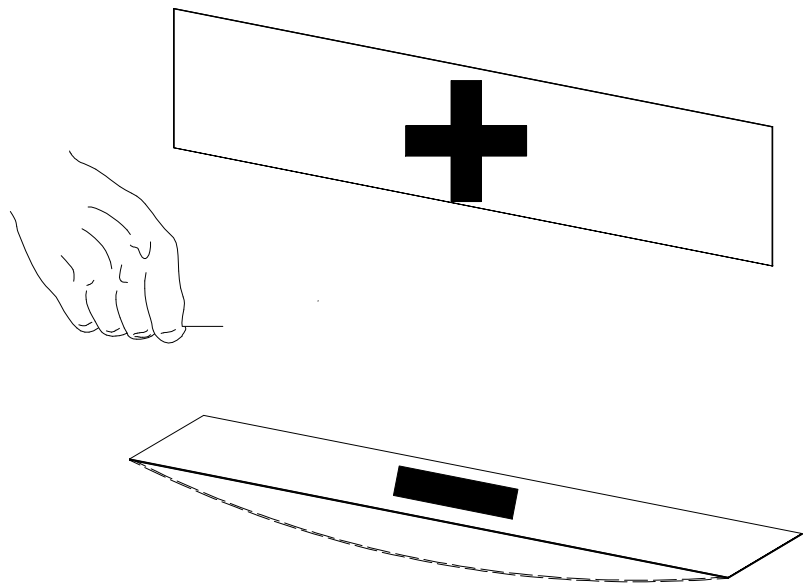
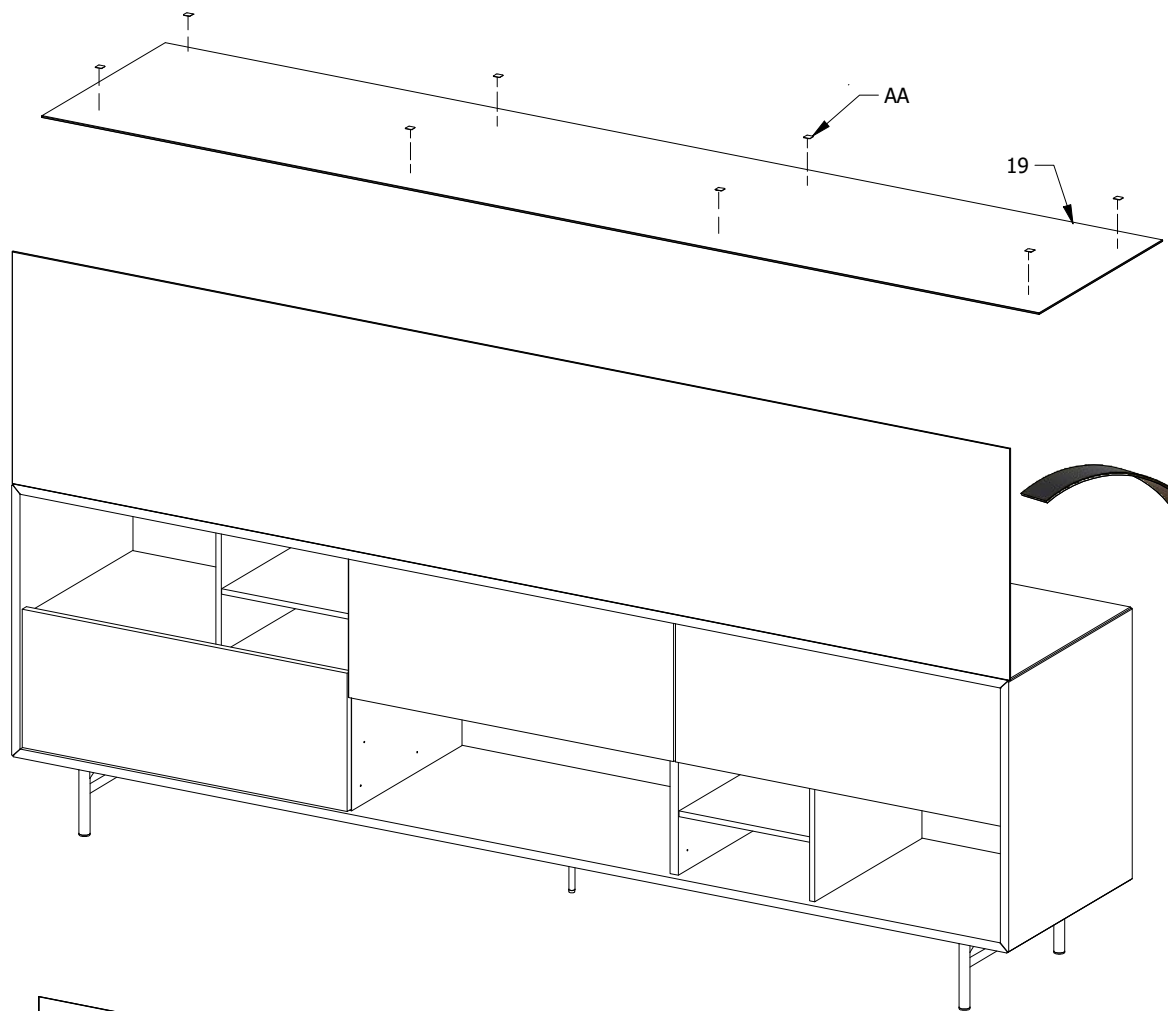
T20



Disassembly



AA x 8



! DK Ved reklamation oplyses følgende:
 D Im Reklamationsfall, bitte folgendes erläutern:
 US In case of claims, please state the following:
 F En cas de réclamation, veuillez indiquer:
 NL Bij service volgense mededelen
 E En caso de reclamación, indicar lo siguiente:
 P No caso de reclamação, por favor indique o seguinte:
■ JP お気づきの点等ございましたら、以下の点をお知らせください。

Example!

Korpus - Korpus - Carcase - Carcasse			Beslag - Fittings - Beschläge - Set de Montage		