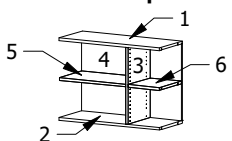


Copenhagen

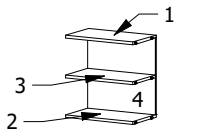
Design by BoConcept

Samlevejledning - Assembly Instructions - Montageanleitung - Instructions d'assemblage - Instrucciones de montaje

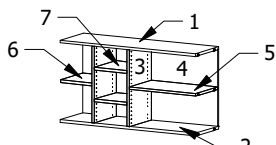
Example



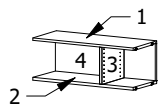
0090
66,2x91,8x37,0 cm Max 30 kg



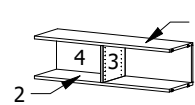
0220
66,2x619x37,0 cm Max 30 kg



0100
66,2x123,8c37,0 cm Max 30 kg

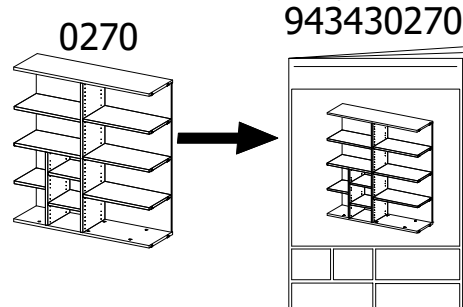
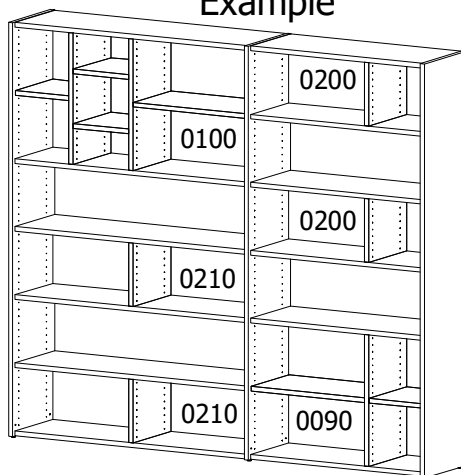


0200
34,2x91,8x37,0 cm Max 30 Kg

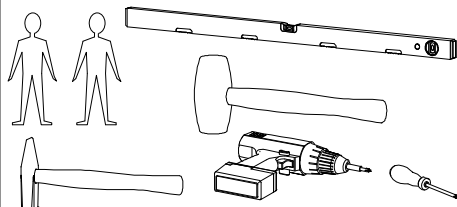


0210
34,2x123,8x37,0 cm max 30 Kg

Example

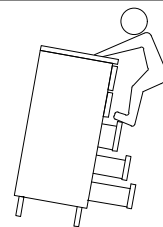


Værktøj - Werkzeuge - Tools - Outils

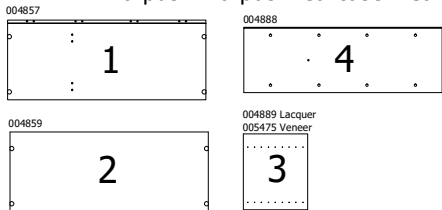


WARNING!!!

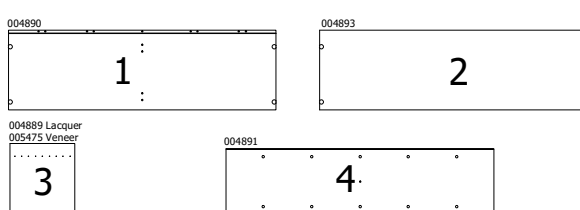
DO NOT allow children to climb on unit. Open one drawer at a time.



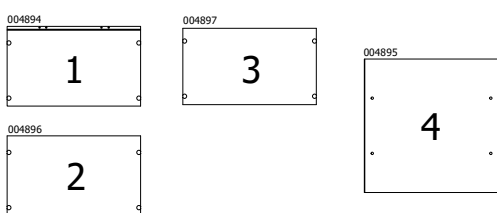
0200 Col. 0201 Korpus - Korpus - Carcase - Carcasse



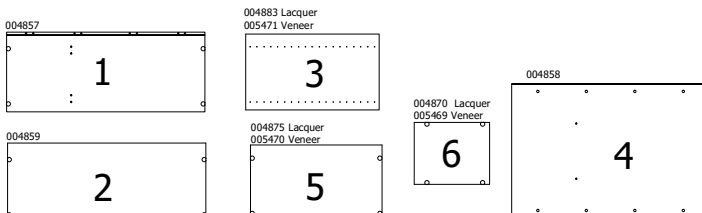
0210 Col. 0211



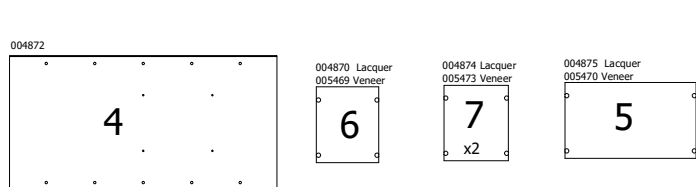
0220 Col. 0221



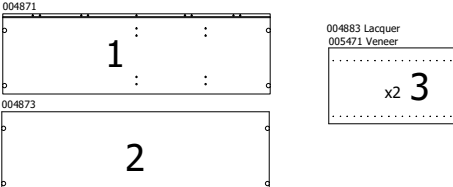
0090 Col. 0091



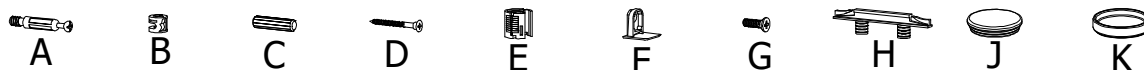
0100 Col. 0101



0100 Col. 0102

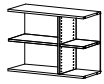


Beslag - Beschläge - Fittings - Set de montage



Fittingbox	Colli	970001698	970001056	970001690	970001723	970001581	970001580	970001702	970001573	970001601	970001602
930000955	0091										
930000971	0091	8	8	8	2	16	16	16	4	1	1
930000956	0102					24	24	24			
930000970	0102	10	10	8	4				8	1	1
930000963	0201	8	8	8	1	8	8	8	4	1	1
930000964	0211	10	10	8	1	8	8	8	4	1	1
930000965	0221	4	4	4		12	12	12			

FIG. 1



Example

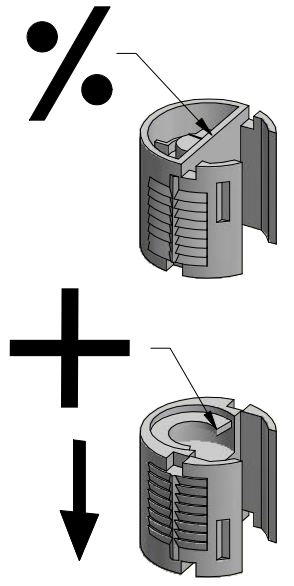
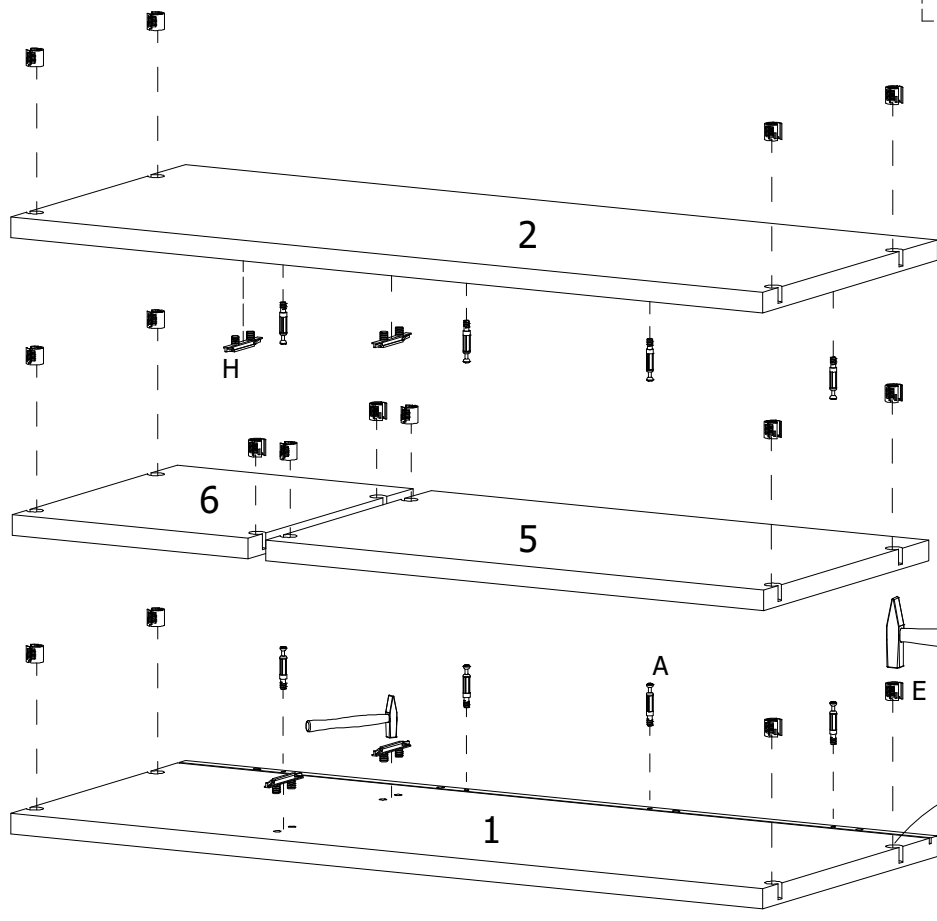
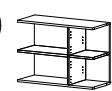


FIG. 2



Example

Attention 0100

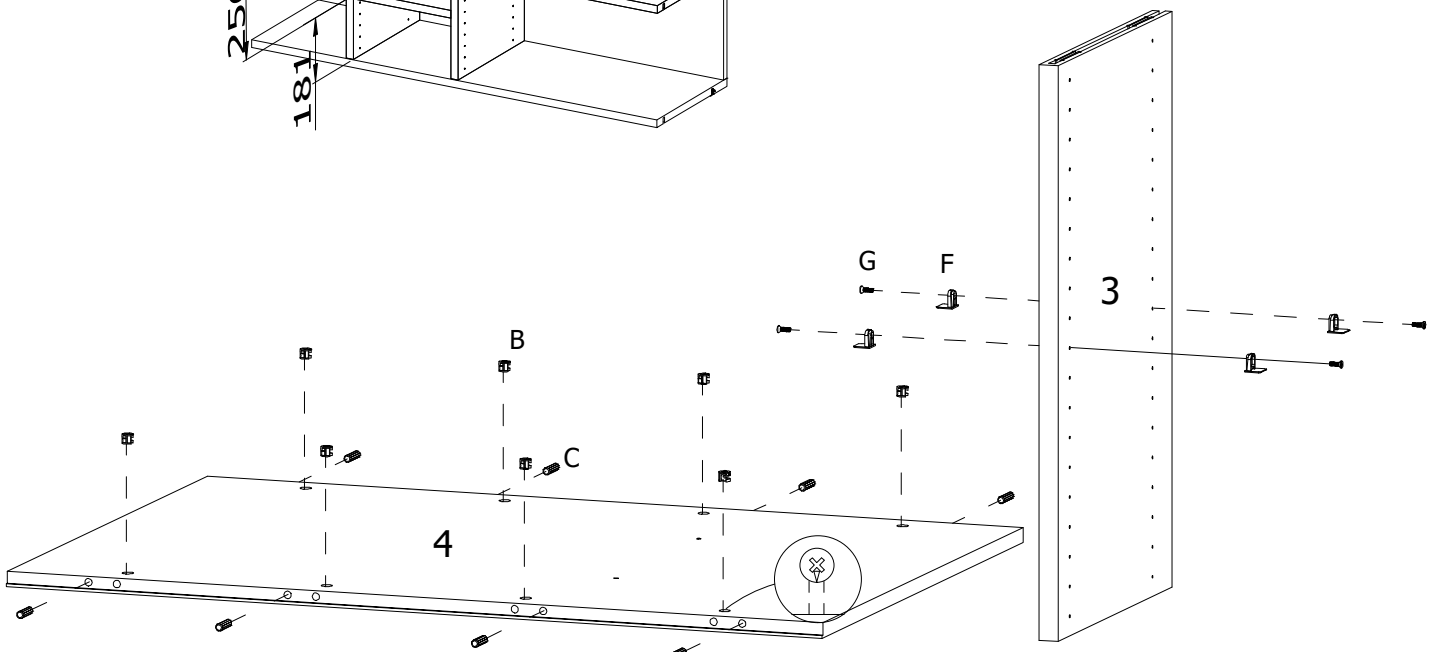
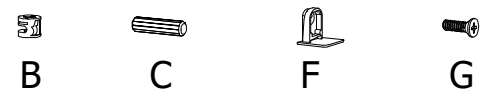
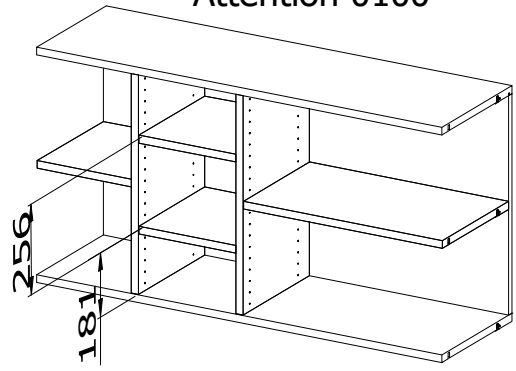


FIG. 3

Attention

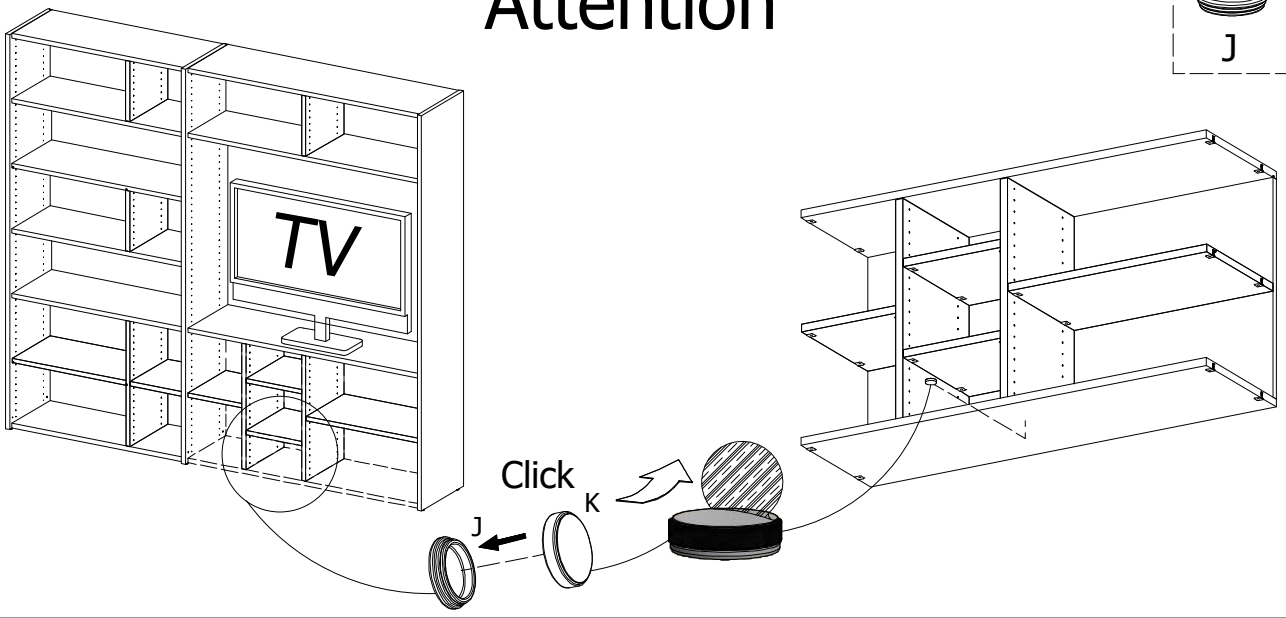
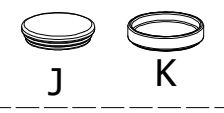


FIG. 4

943430010

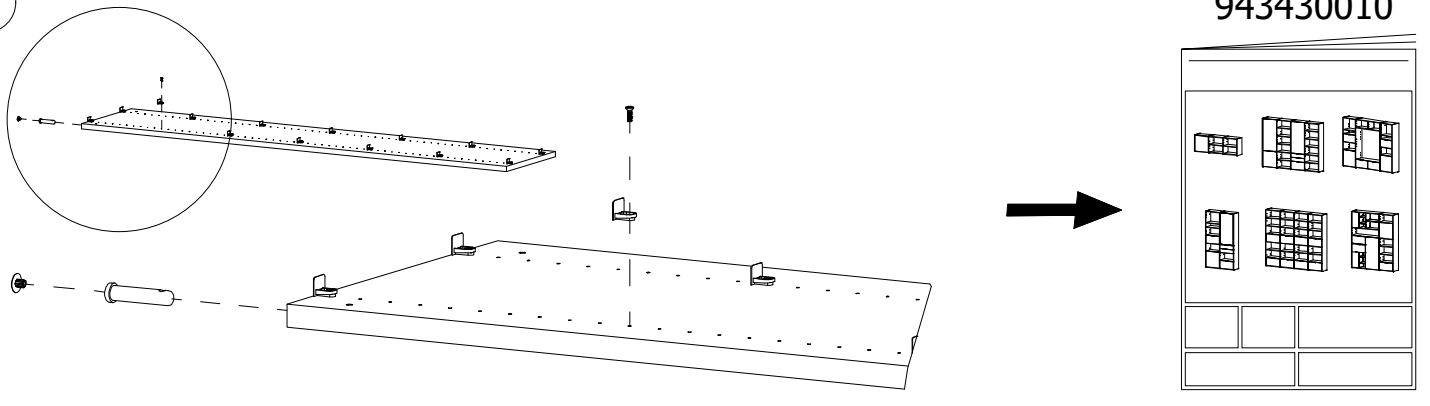


FIG. 5

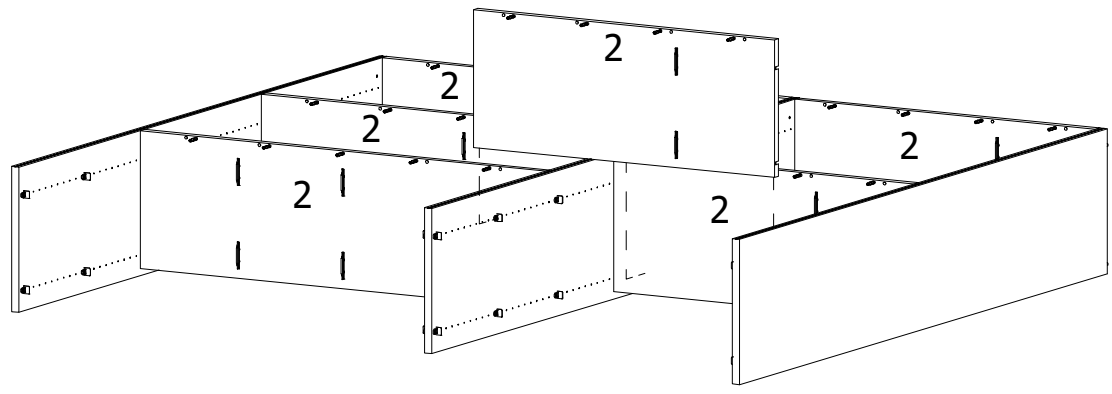
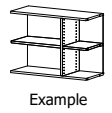


FIG. 6

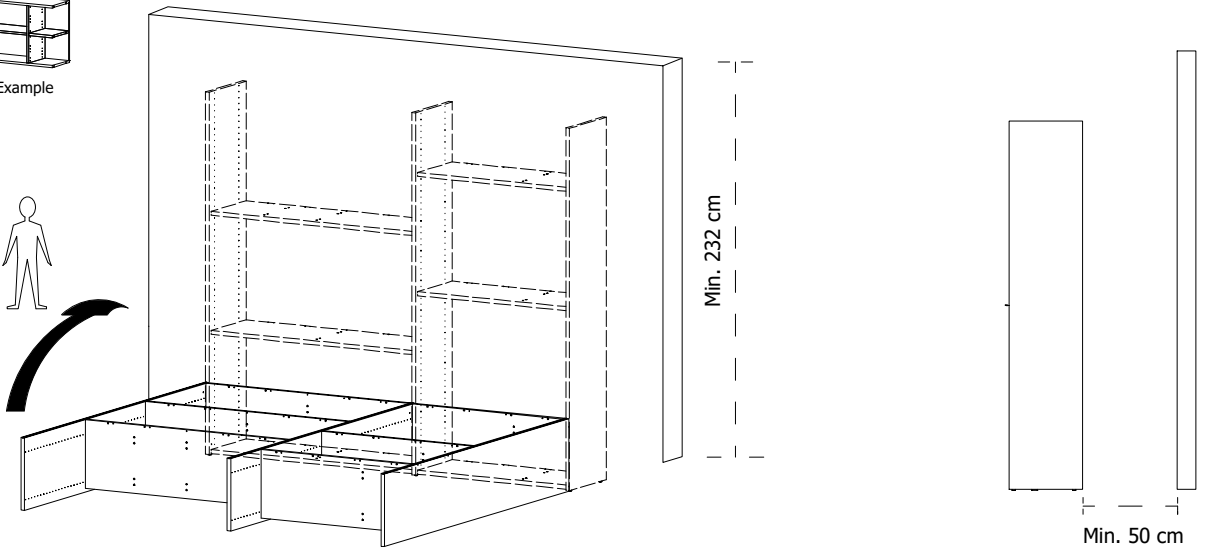
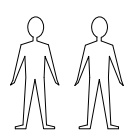
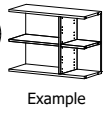
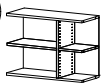


FIG. 7



Example

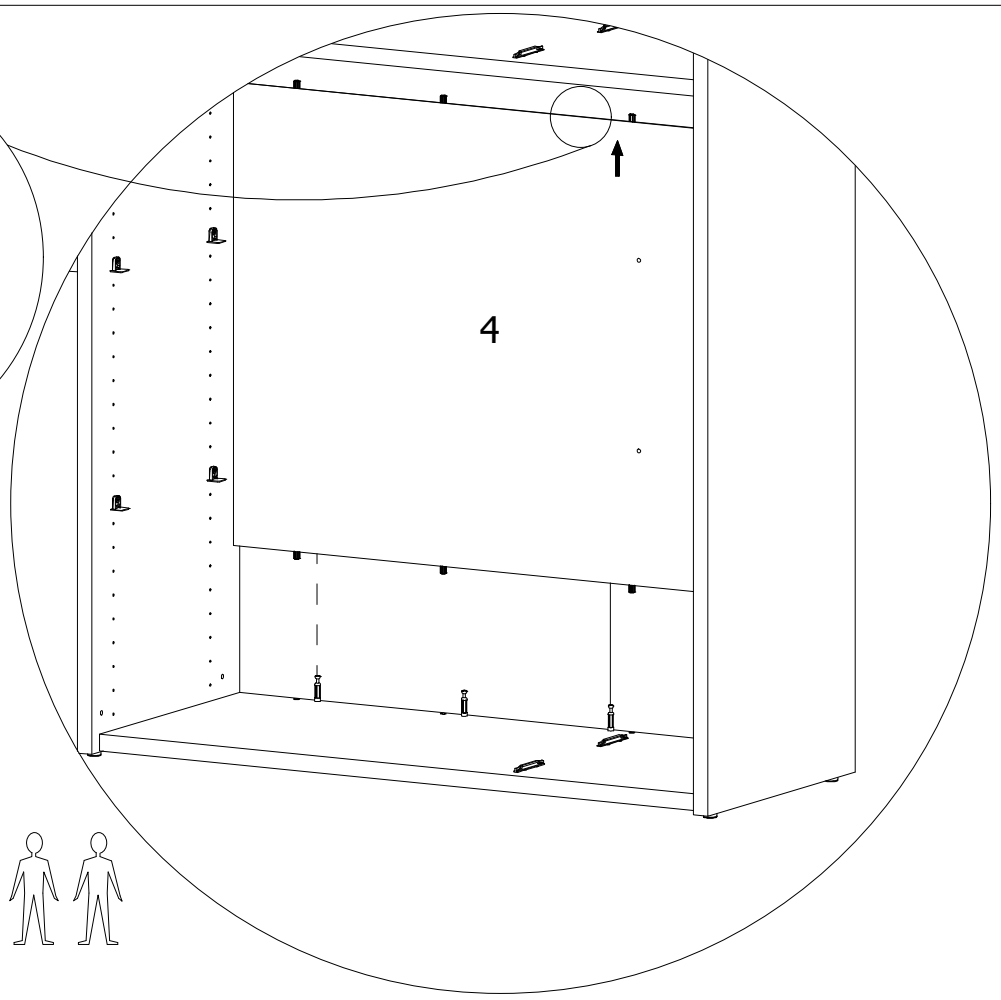
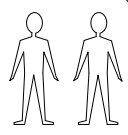
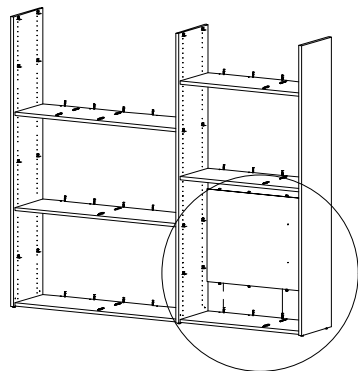
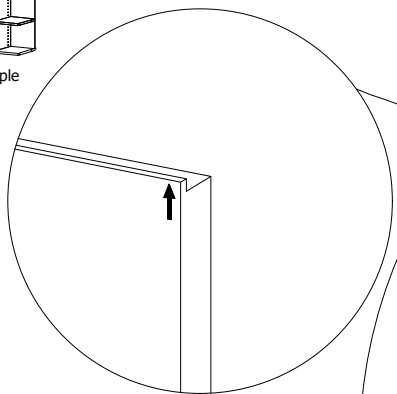
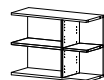


FIG. 8



Example

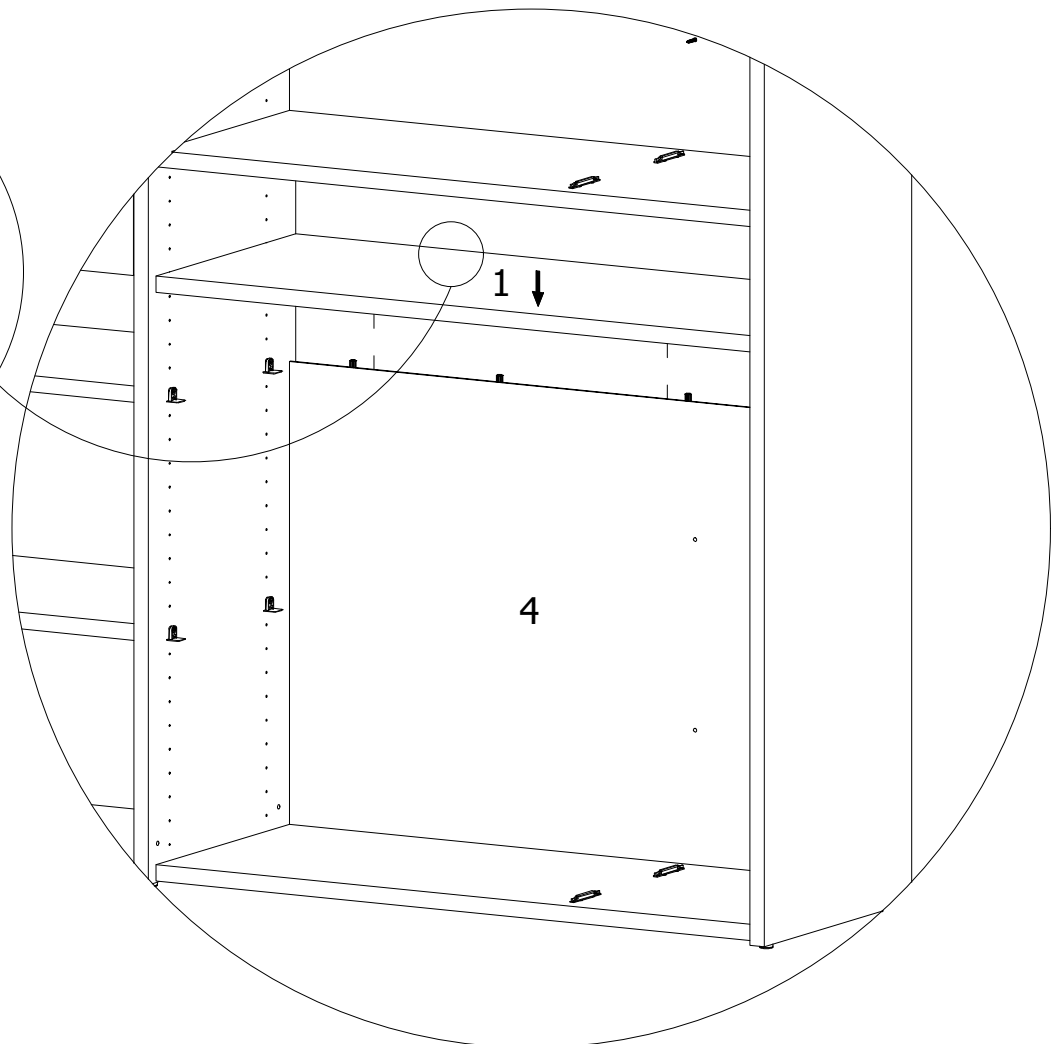
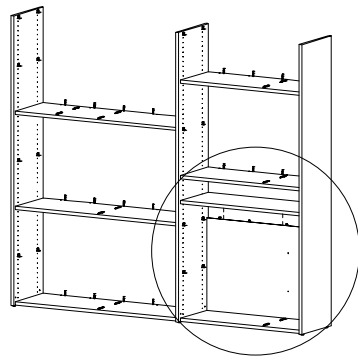
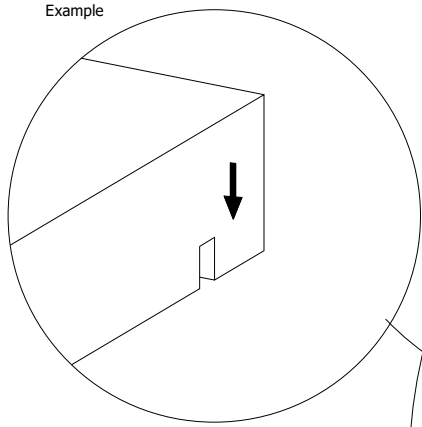


FIG. 9

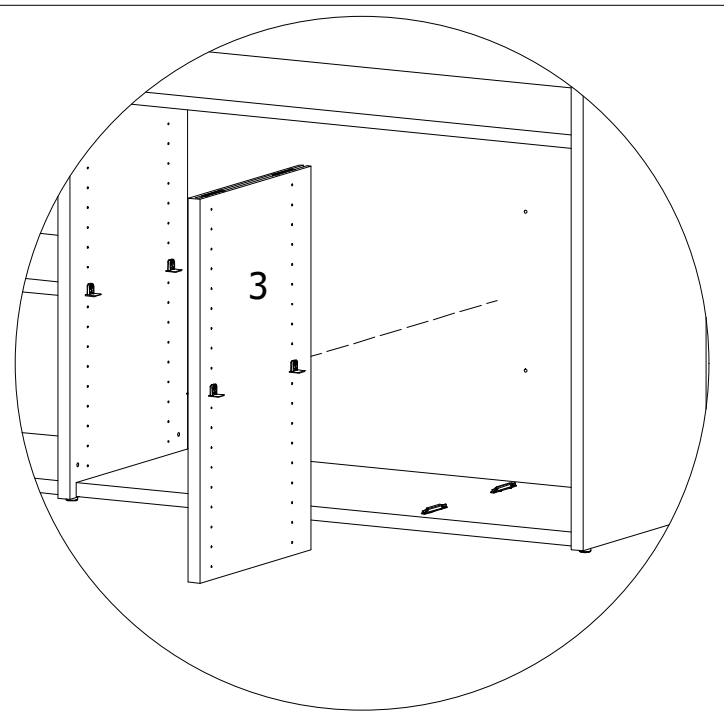
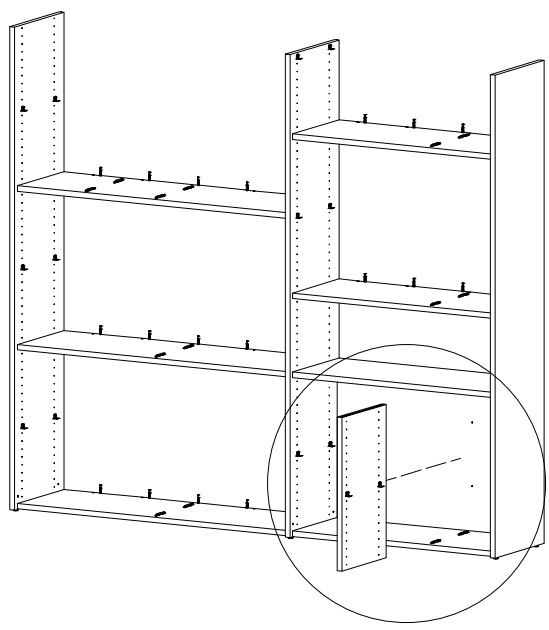
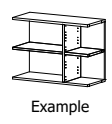


FIG. 10

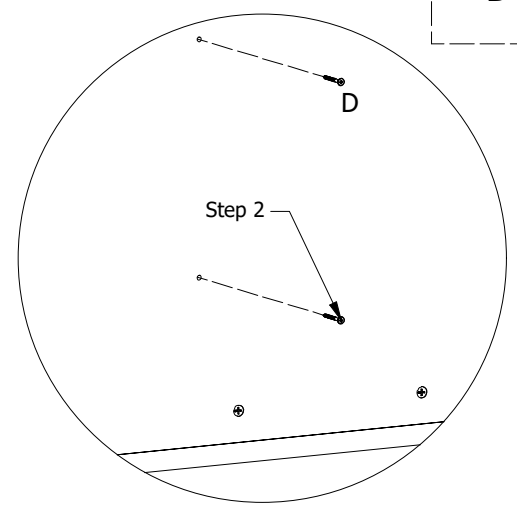
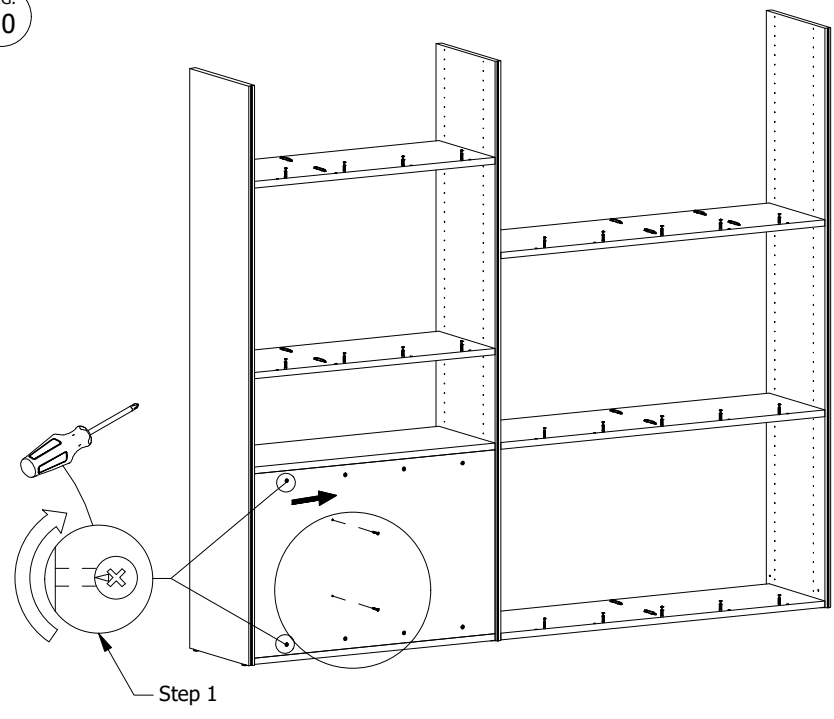


FIG. 11

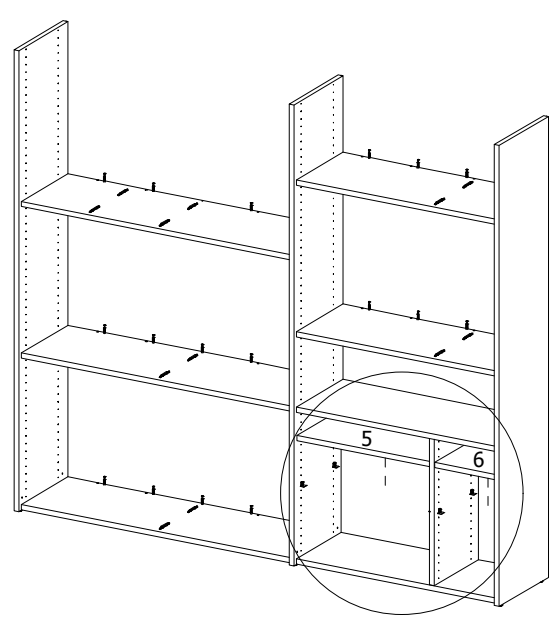
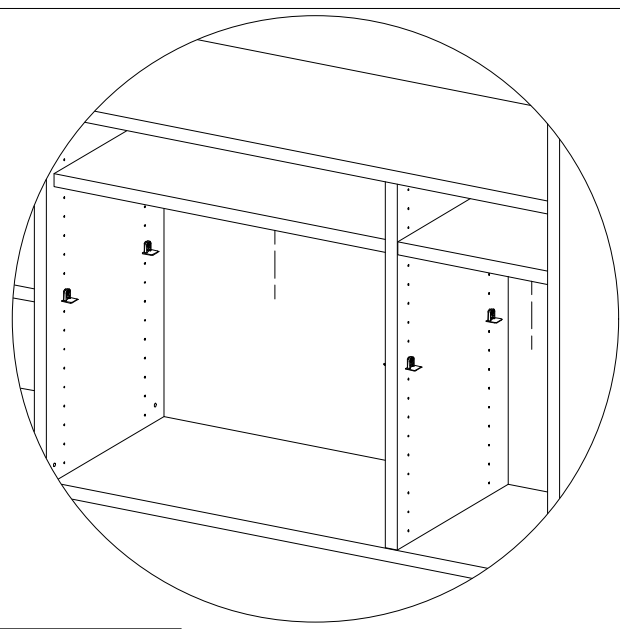


FIG. 12

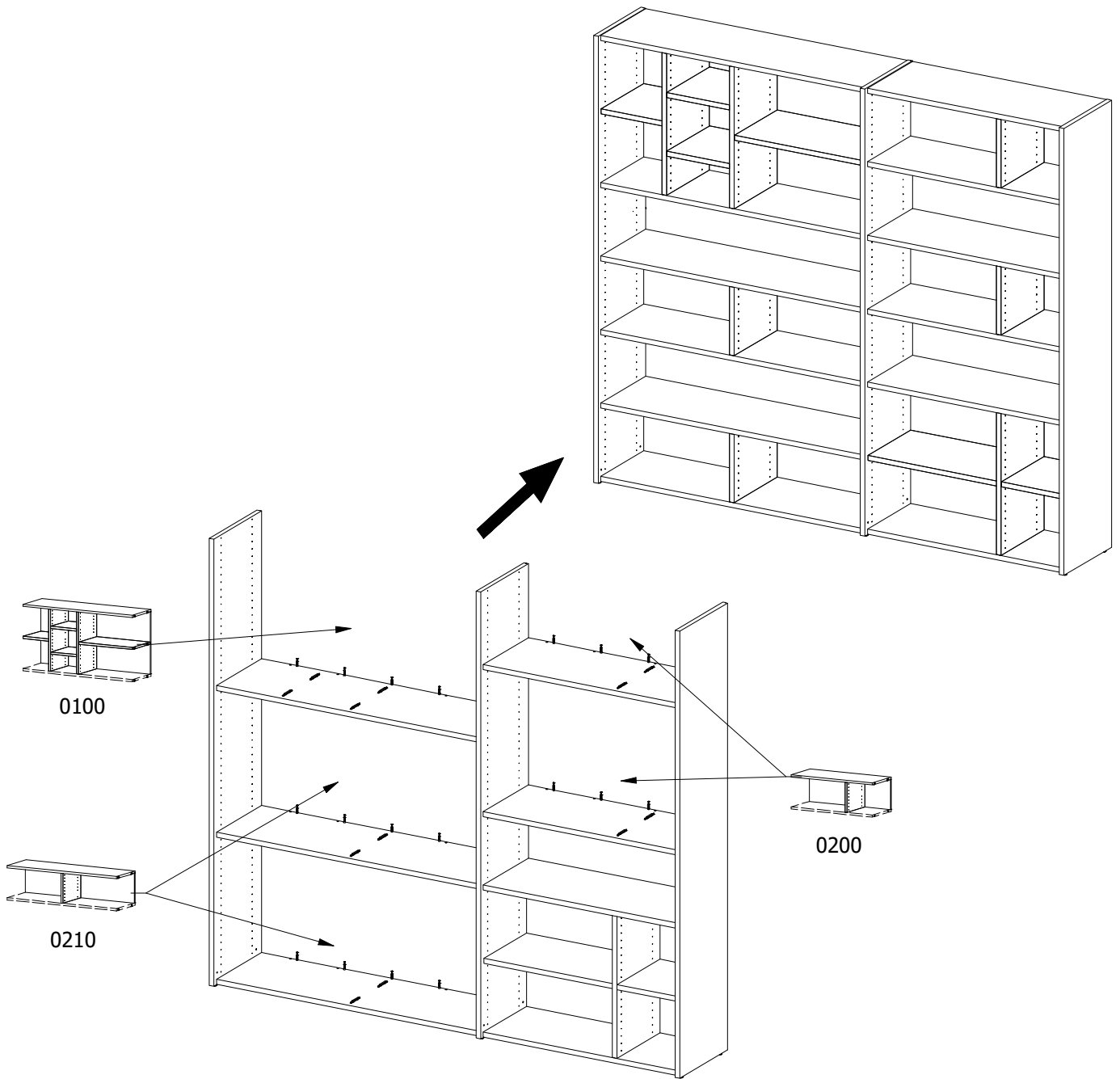


FIG. 13

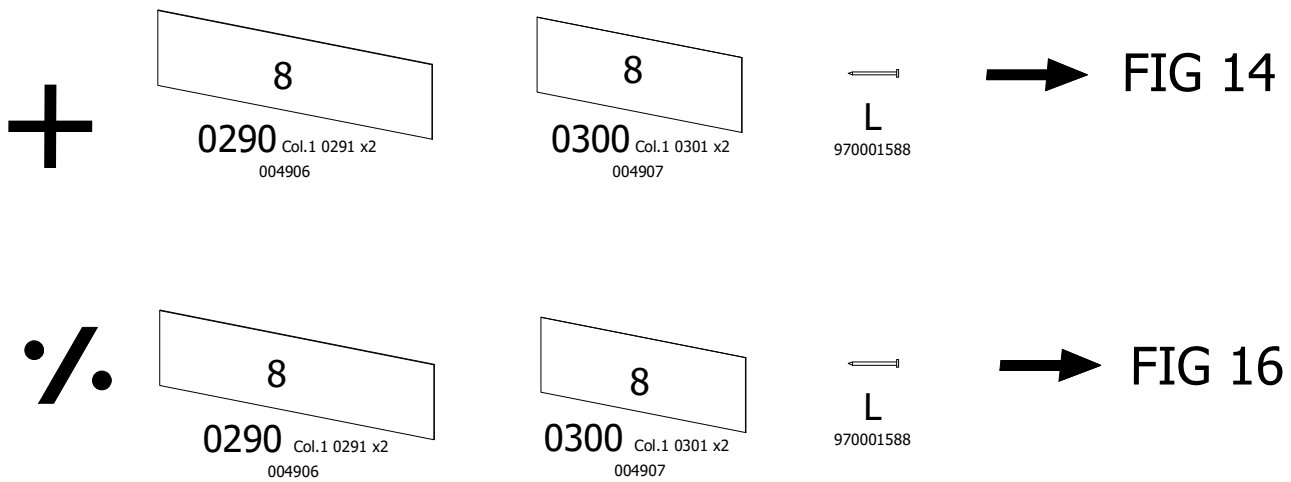


FIG. 14

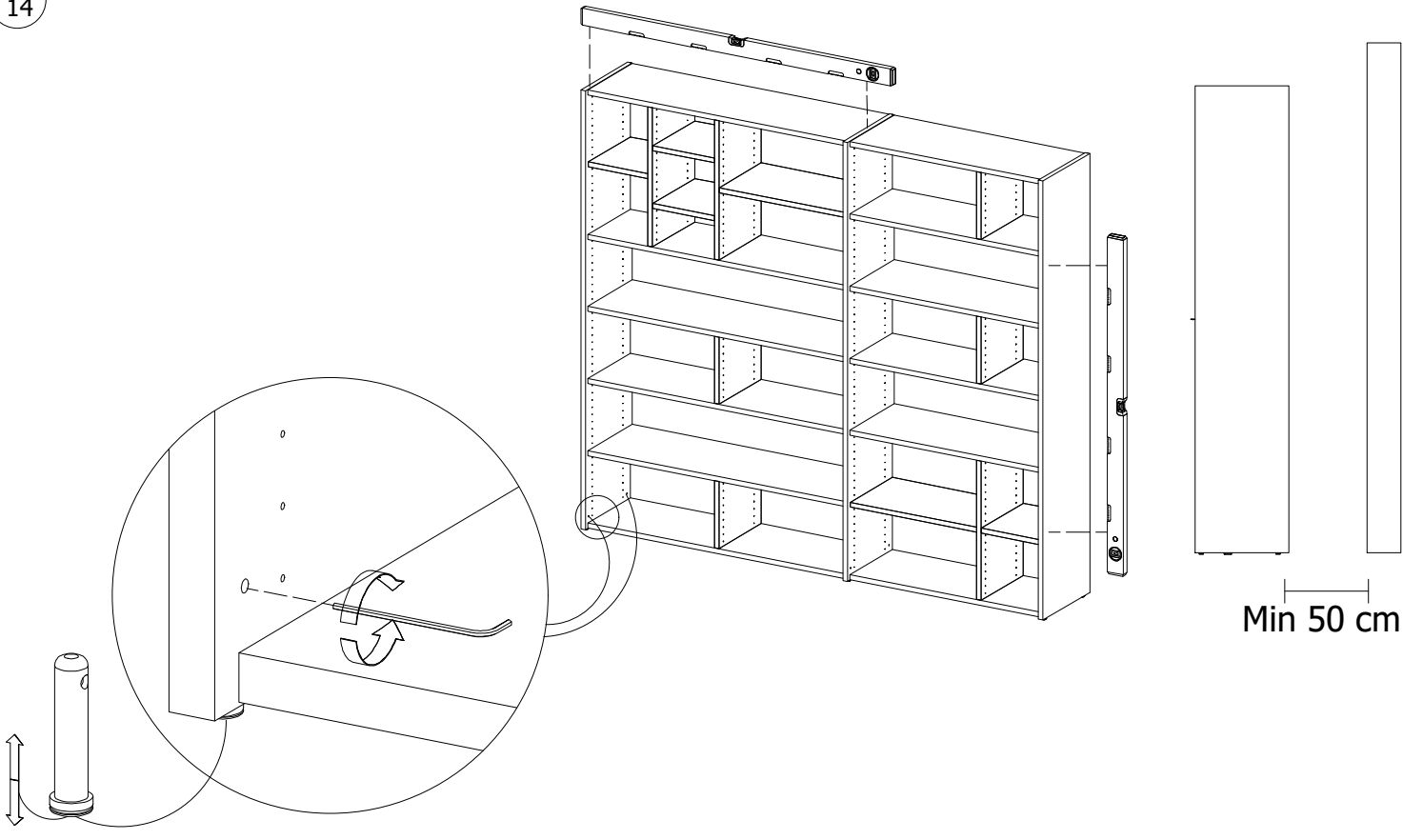


FIG. 15

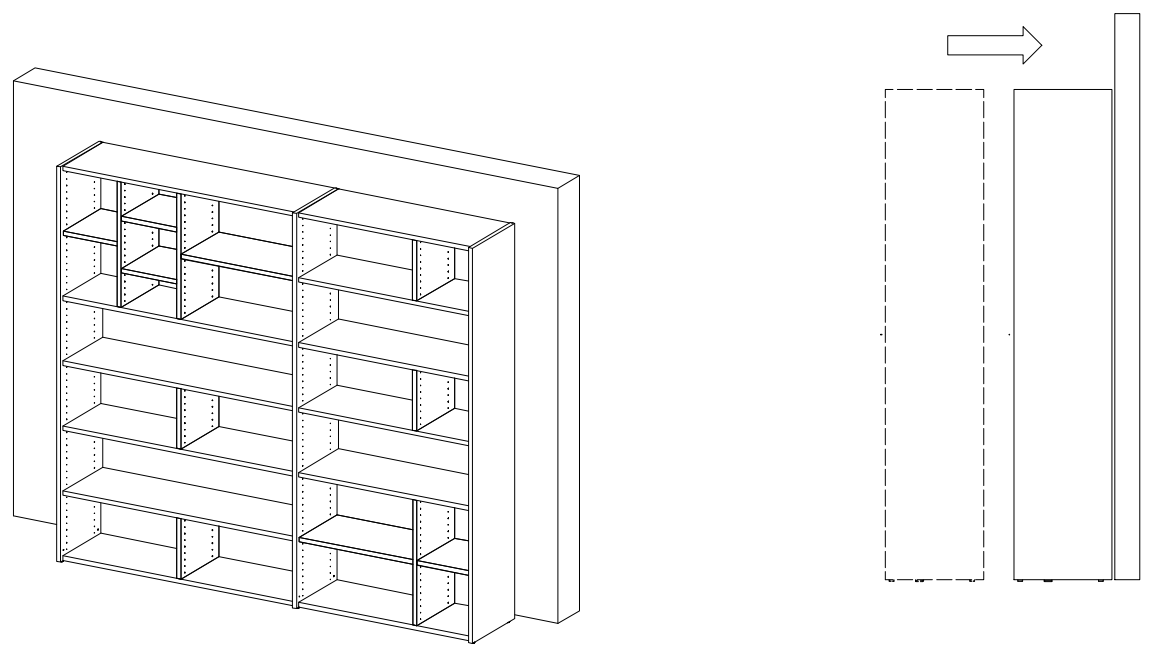


FIG. 16

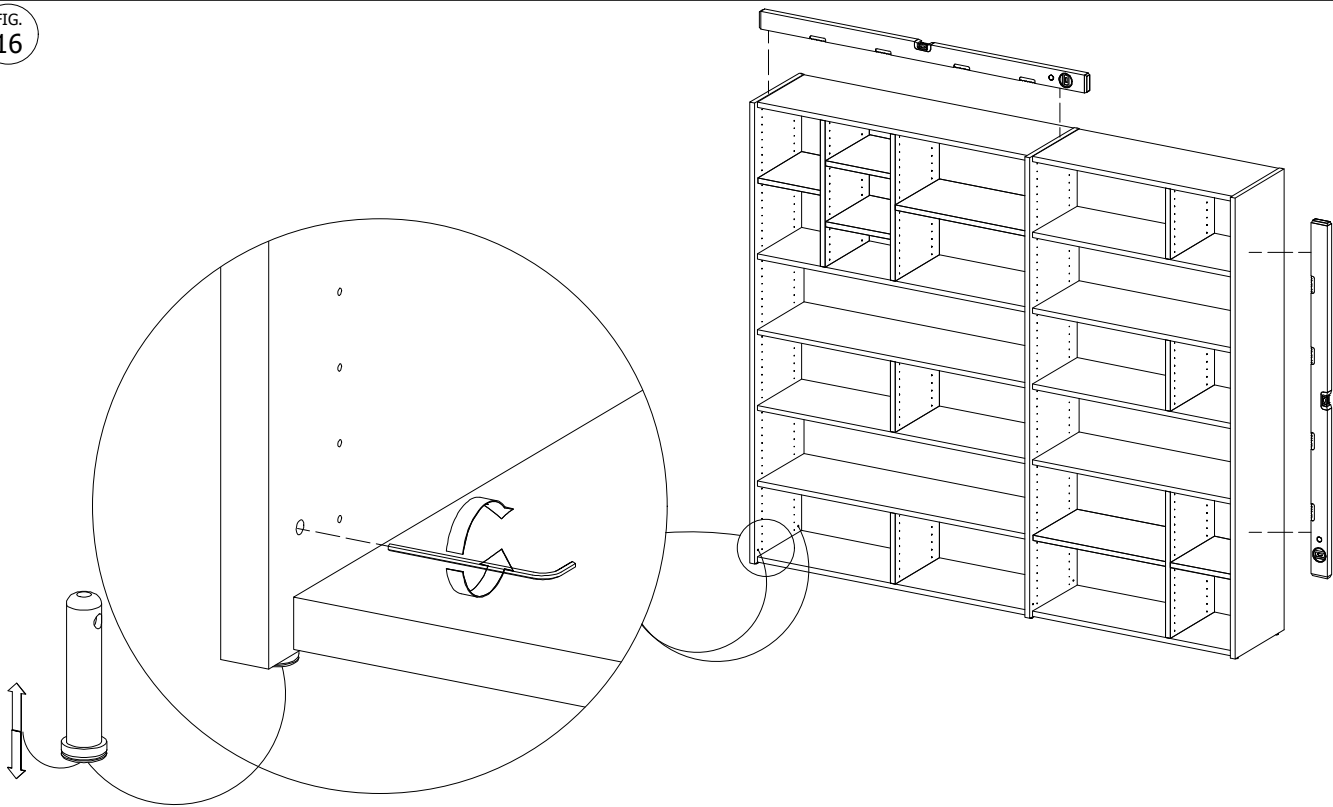
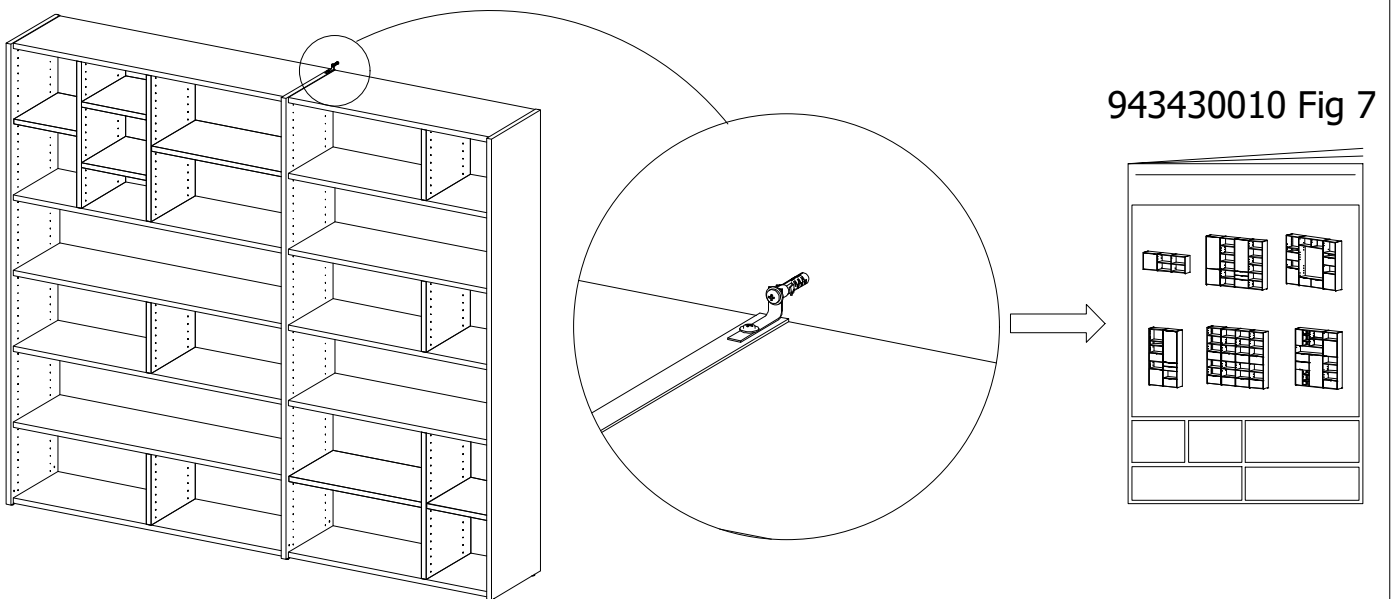


FIG. 17



DK Ved reklamation oplyses følgende:
 D Im Reklamationsfall, bitte folgendes erläutern:
 US In case of claims, please state the following:
 F En cas de réclamation, veuillez indiquer:
 NL Bij service volgene mededelen
 E En caso de reclamación, indicar lo siguiente:
 P No caso de reclamação, por favor indique o seguinte:
 JP お気づきの点等ございましたら、以下の点をお知らせください。

Example!

