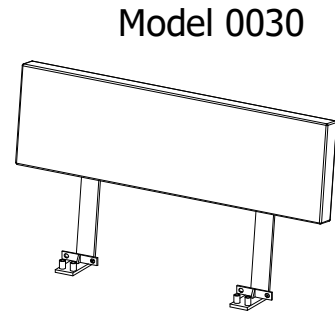
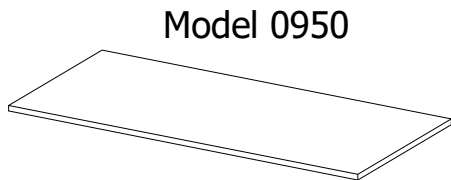
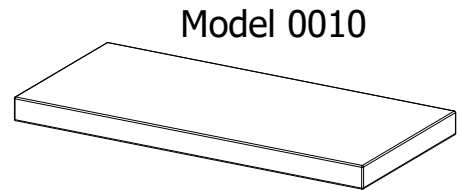
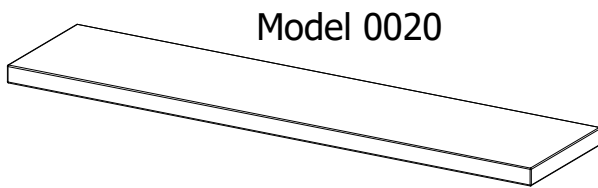
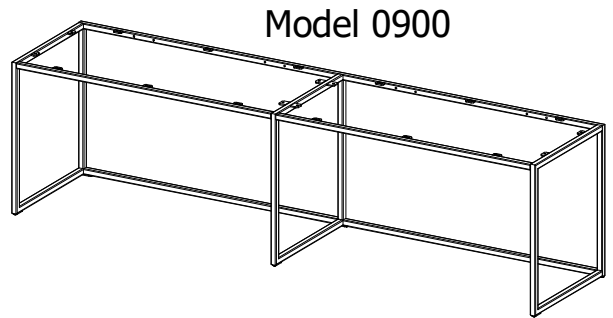
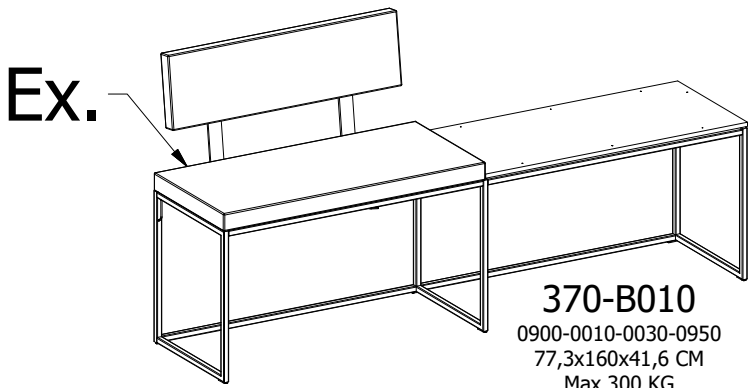


# London

Design by BoConcept

Samvejledning - Assembly Instructions - Montageanleitung - Instructions d'assemblage - Instrucciones de montaje

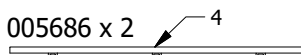
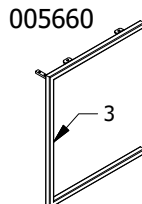
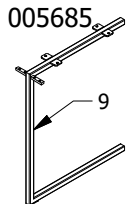
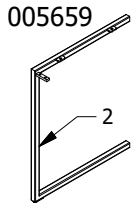
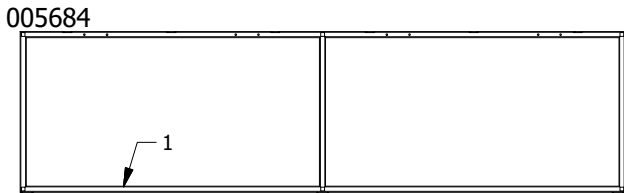


Spare part bag  
937000016

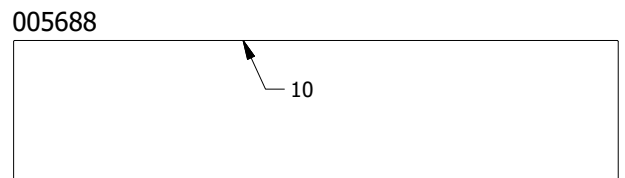


970001789  
5 pcs.

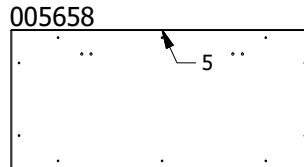
Korpus - Korpus - Carcase - Carcasse Model 0900



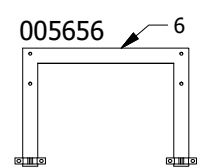
Model 0020



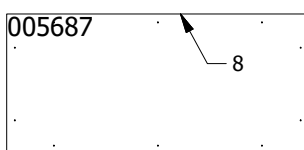
Korpus - Korpus - Carcase - Carcasse  
Model 0010



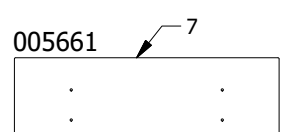
Korpus - Korpus - Carcase - Carcasse  
Model 0032



Korpus - Korpus - Carcase - Carcasse  
Model 0950



Model 0031



Beslag - Beschläge - Fittings - Set de montage Model 0900  
Fitting bag 937000068



**A x 20**  
979900186  
M5 x 12



**B x 20**  
979900040  
M4 x 16 mm



**C x 20**  
979900036  
4,0 x 12

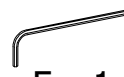


**D x 1**  
970001691  
3 mm

Beslag - Beschläge - Fittings - Set de montage col 0932  
Fitting bag 937000069



**E x 4**  
970001597  
M6 x 35 mm



**F x 1**  
970001694  
4 mm



**G x 4**  
970000921  
M6 x 8 mm



**H x 4**  
970000958  
M6x20 mm

FIG. 1

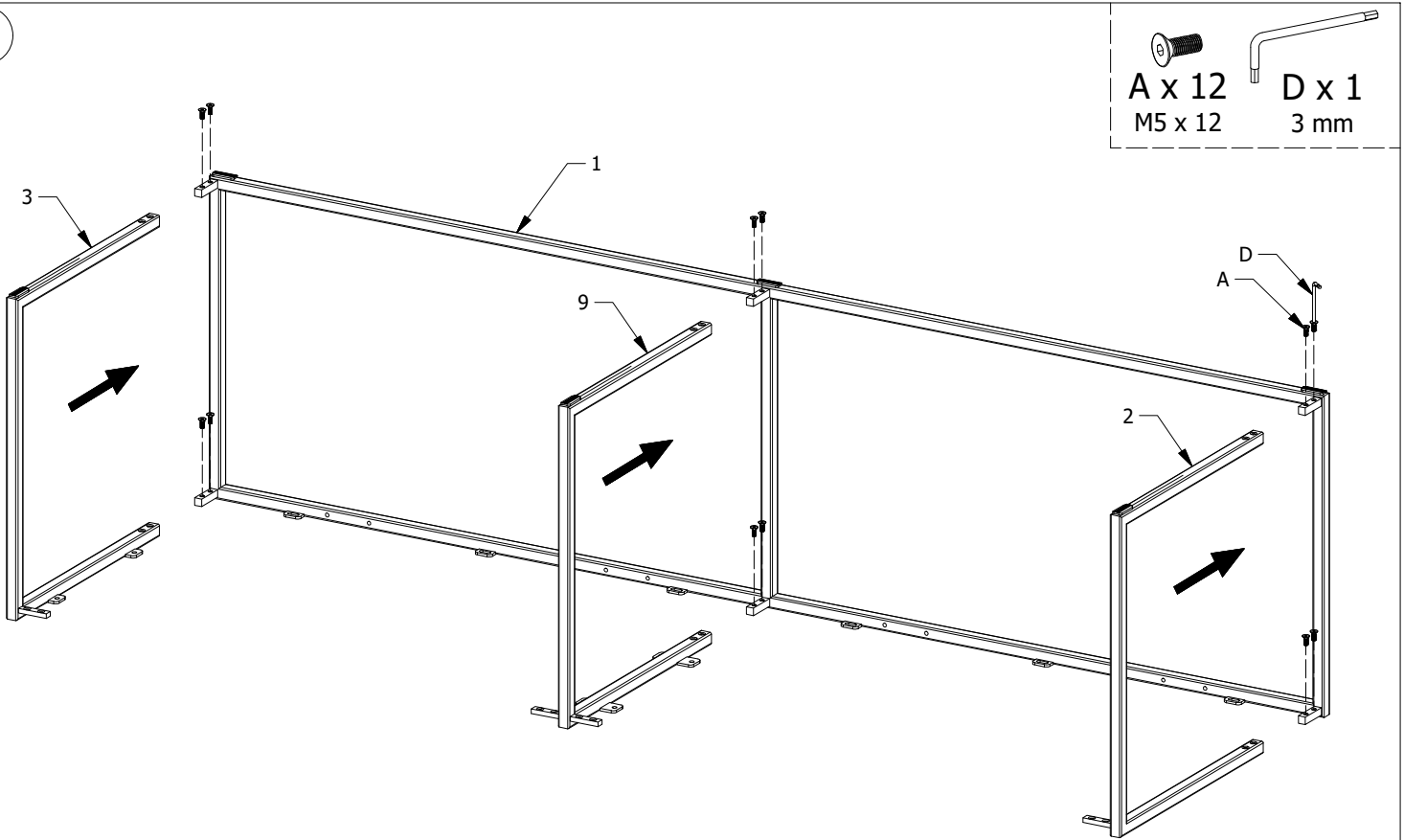


FIG. 2

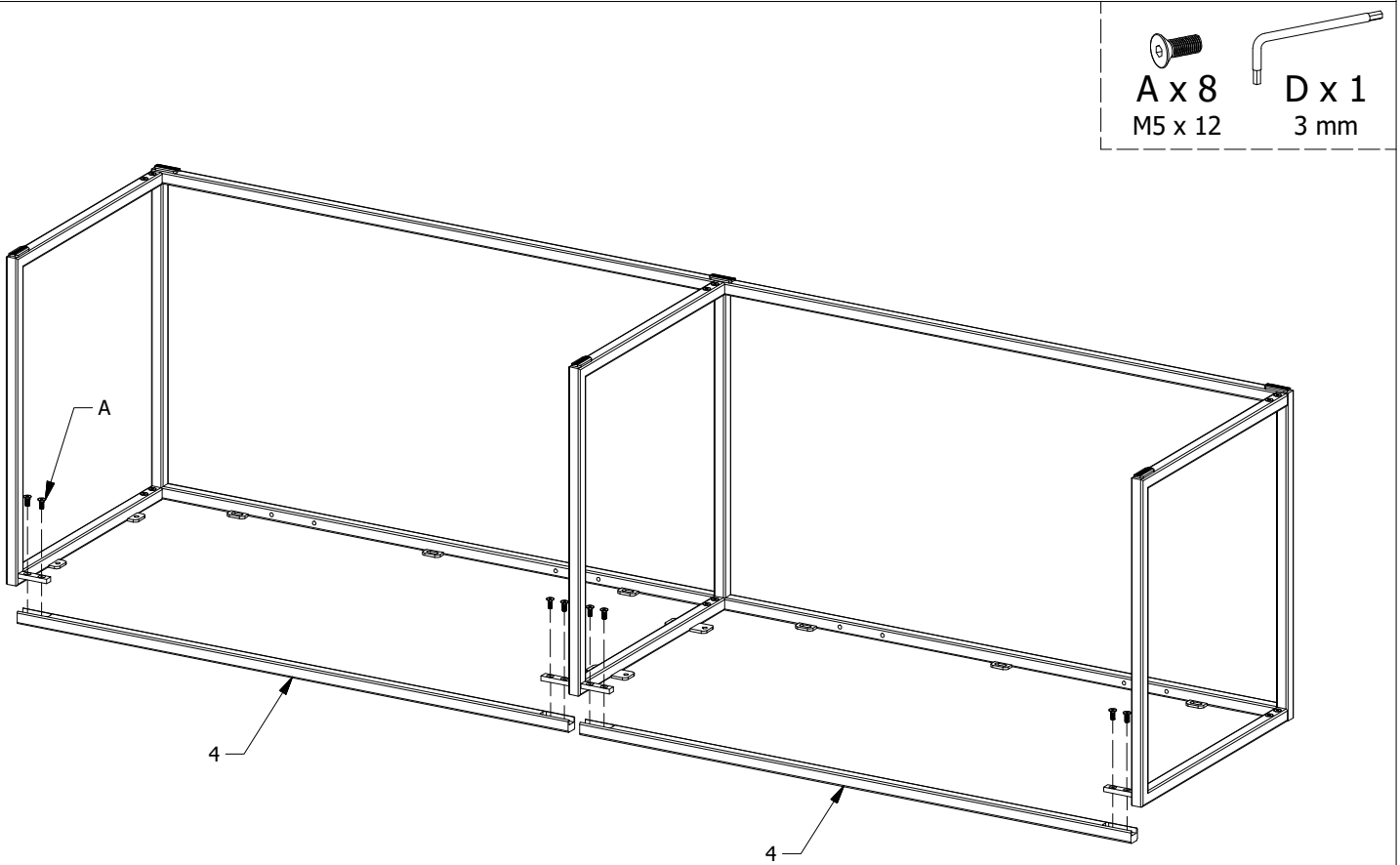
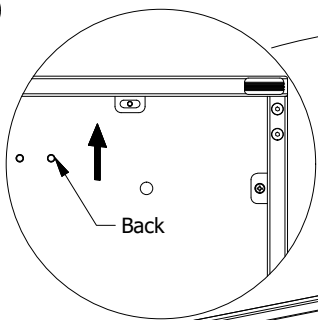


FIG. 3



**B x 4** **C x 4**  
M4 x 16 mm 4,0 x 12

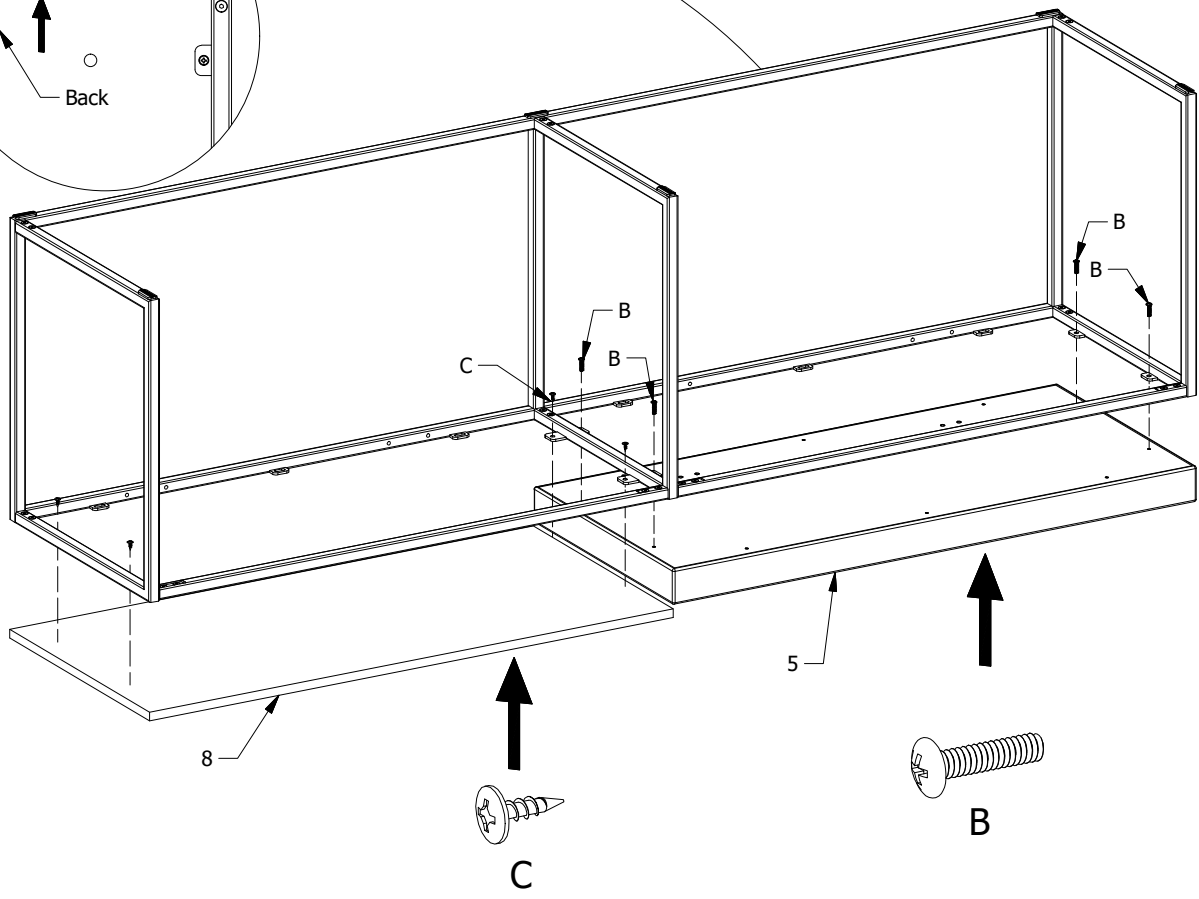
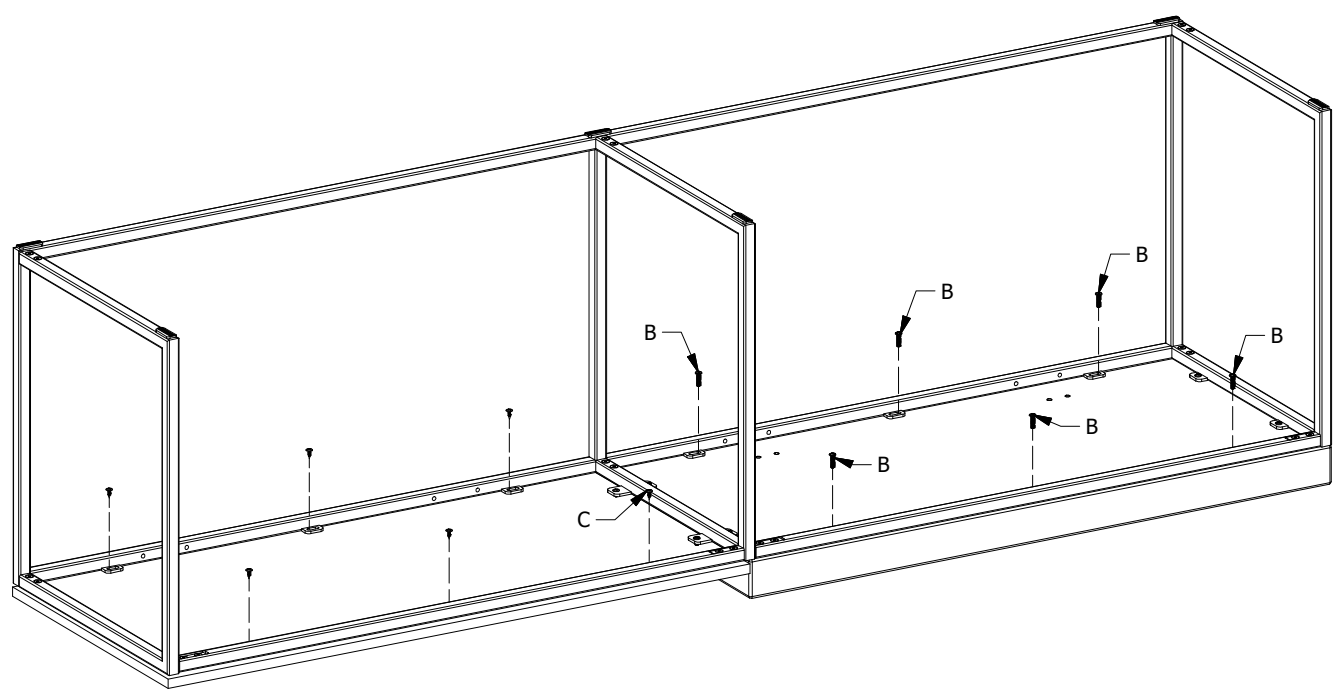
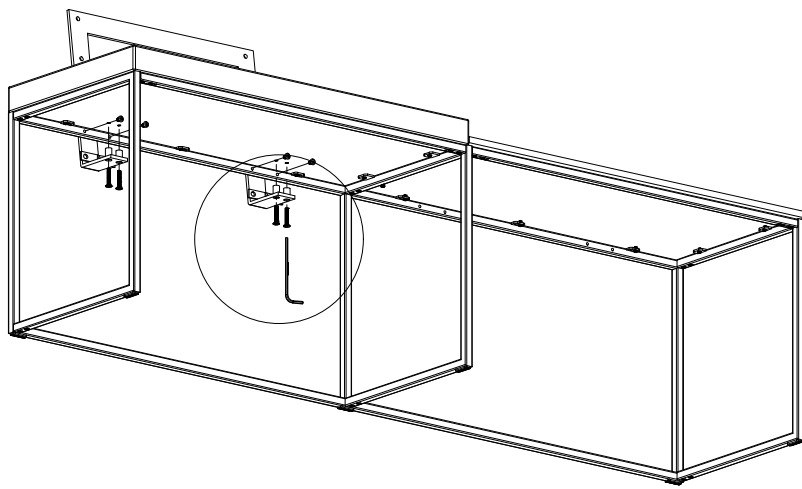





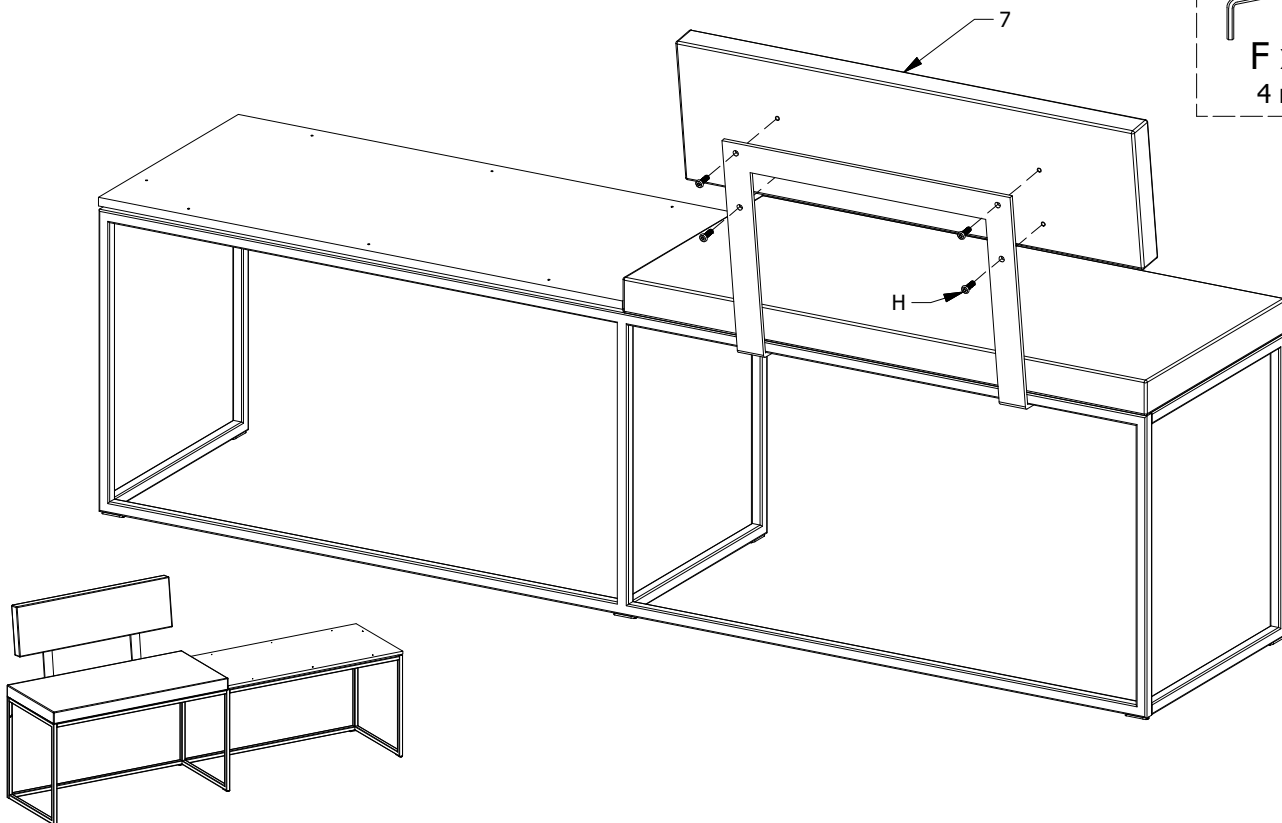
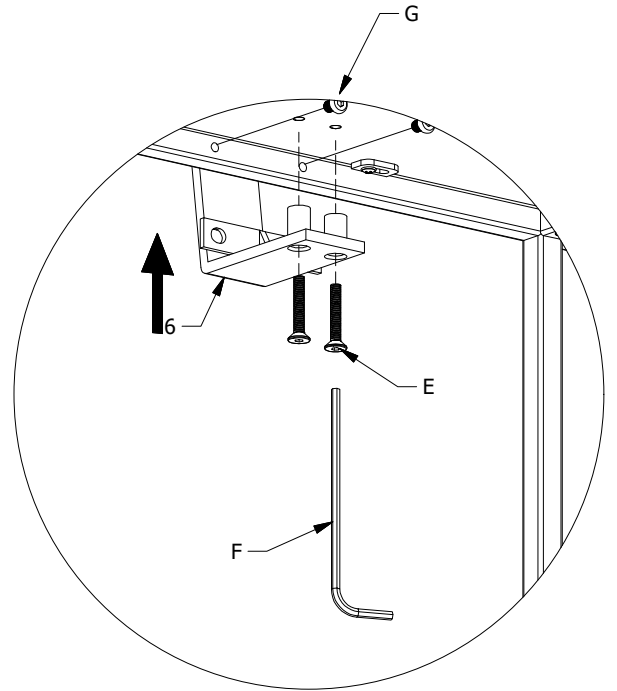
FIG. 4


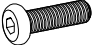
**B x 6** **C x 6**  
M4 x 16 mm 4,0 x 12





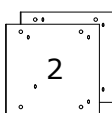
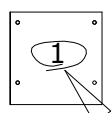
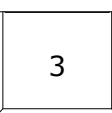






-   
**E x 4**  
 M6 x 35 mm
-   
**F x 1**  
 4 mm
-   
**G x 4**  
 M6 x 8 mm



-   
**F x 1**  
 4 mm
-   
**H x 4**  
 M6x20 mm

**!** DK Ved reklamation oplyses følgende:  
 D Im Reklamationsfall, bitte folgendes erläutern:  
 US In case of claims, please state the following:  
 F En cas de réclamation, veuillez indiquer:  
 NL Bij service volgene mededelen  
 E En caso de reclamación, indicar lo siguiente:  
 P No caso de reclamação, por favor indique o seguinte:  
**■** JP お気づきの点等ございましたら、以下の点をお知らせください。

**Example!**

Korpus - Korpus - Carcase - Carcasse			Beslag - Fittings - Beschläge - Set de Montage		
 <b>2</b>	 <b>1</b>	 <b>3</b>	 <b>A x 8</b> <small>1972000014</small>	 <b>B x 12</b> <small>1972000004</small>	 <b>C x 4</b> <small>1979110830</small>
 <b>D x 2</b> <small>1970120000</small>	 <b>H x 2</b> <small>1978504022</small>	 <b>J x 8</b> <small>1978204210</small>			