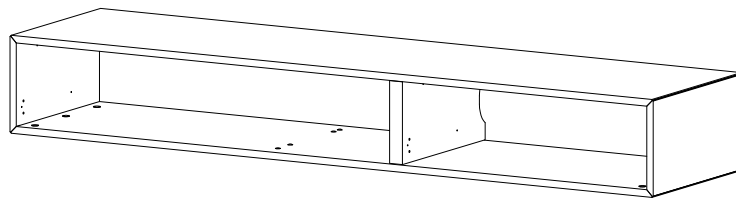


# Lugano

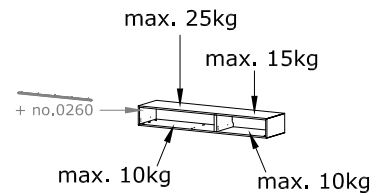
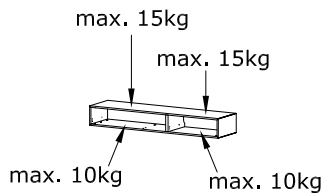
Design by BoConcept

Samvejledning - Assembly Instructions - Montageanleitung - Instructions d'assemblage - Instrucciones de montaje



**3060**

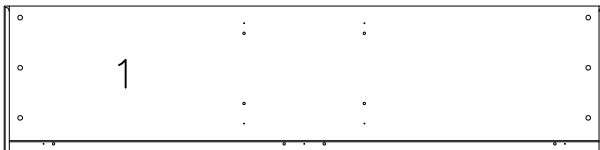
25,6x192,0x46,2 cm / max. 50kg



Korpus - Korpus - Carcase - Carcasse

Col. 1

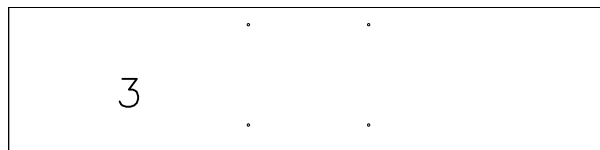
002985



002987



002986



Beslag - Beschläge - Fittings - Set de montage

Col. 2



A X 26  
197200009



B X 14  
970001452  
Ø15



C X 12  
979900041  
6x30mm



D X 18  
1979110830



E X 12  
970001056



F X 2  
970000629  
M6



G X 2  
1978606054  
M6x55mm



H X 1  
1979300004  
4mm



J X 2  
80028740008



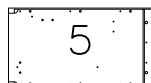
K X 16  
970001329



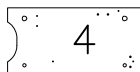
L X 4  
970001361

Col. 2

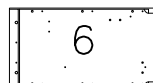
002975



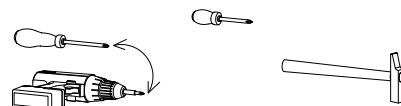
002974



002976



Værktøj - Werkzeuge - Tools - Outils





A X 26



B X 14



C X 12  
6x30mm



D X 18



E X 12

# Attention!

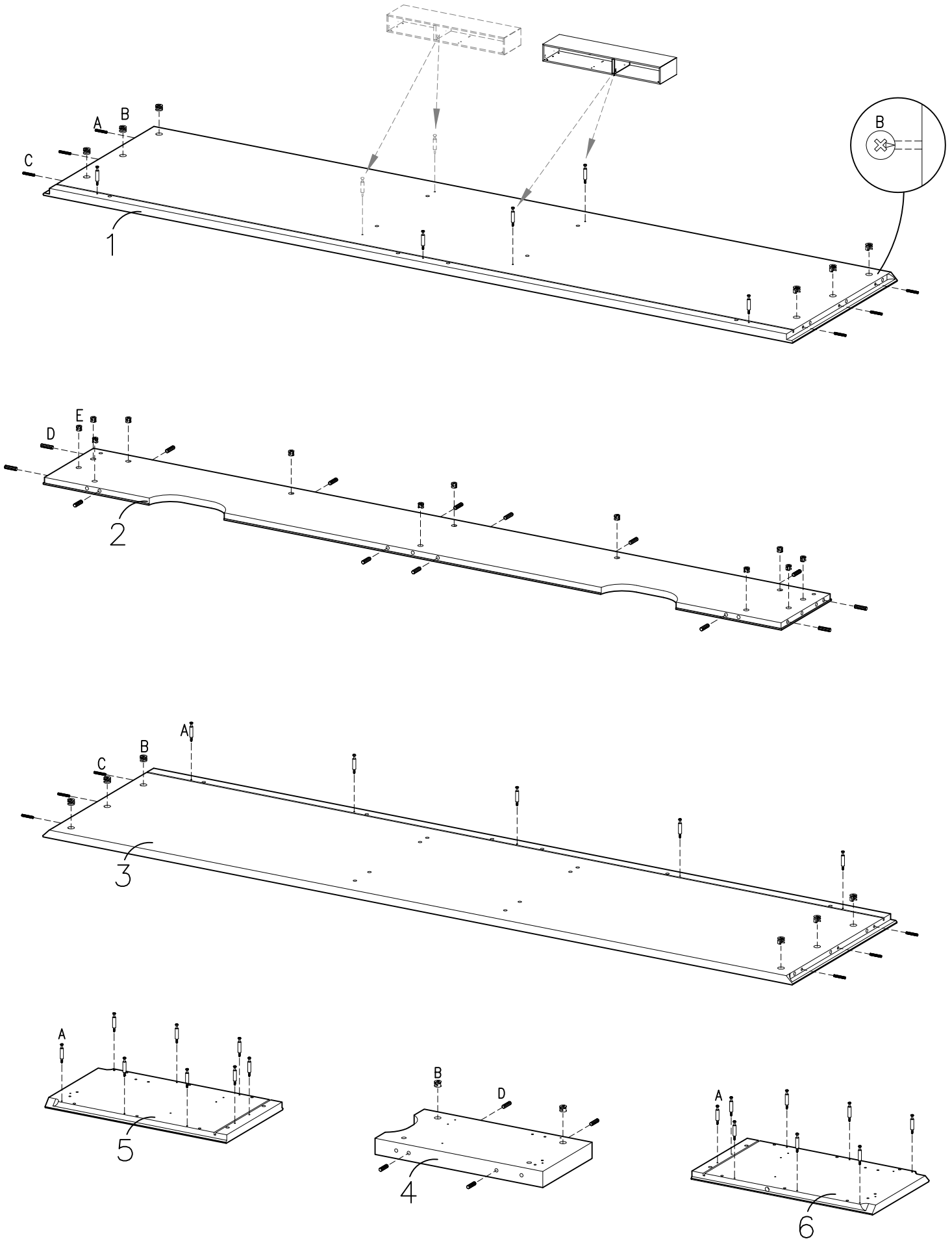
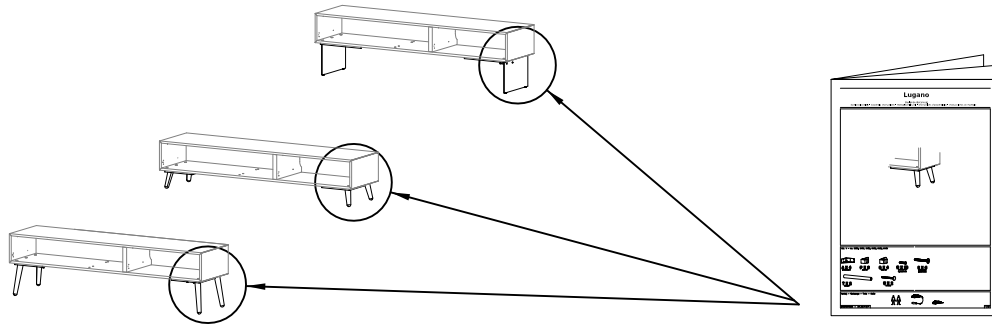


FIG.  
2

# Attention!



Samvejledning - Assembly Instructions - Montageanleitung - Instructions d'assemblage - Instrucciones de montaje

FIG.  
3

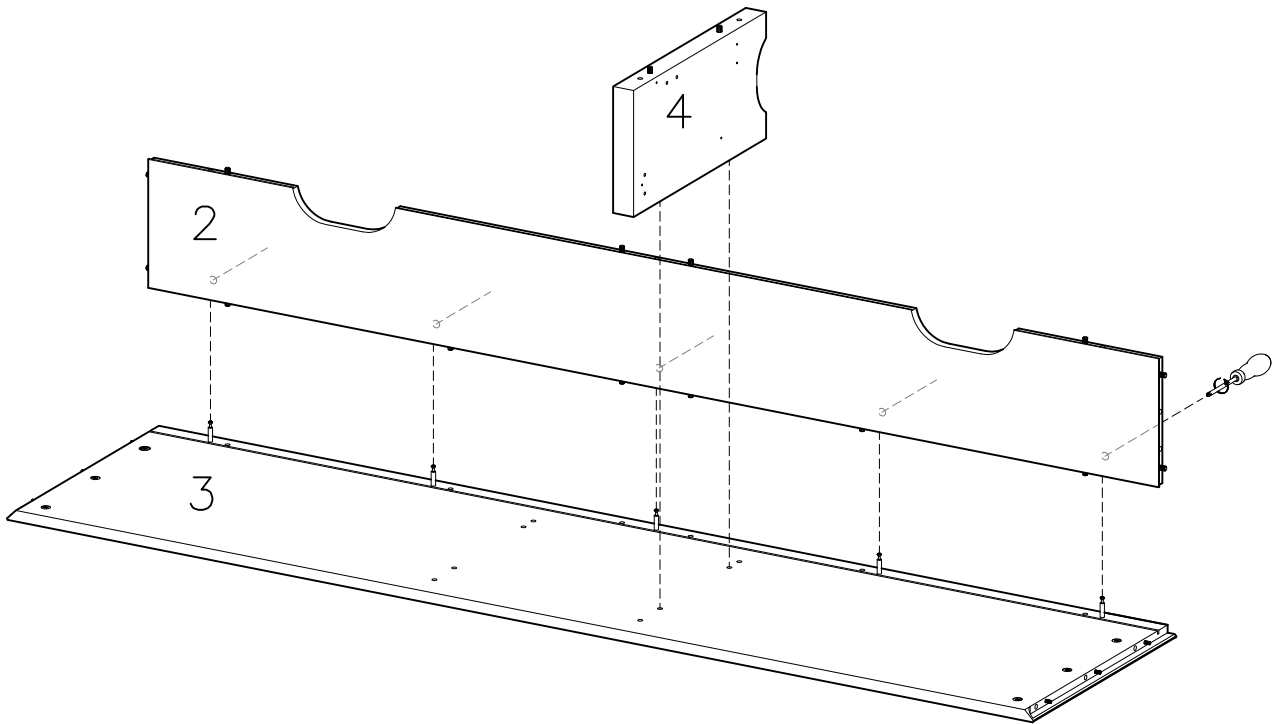


FIG.  
4

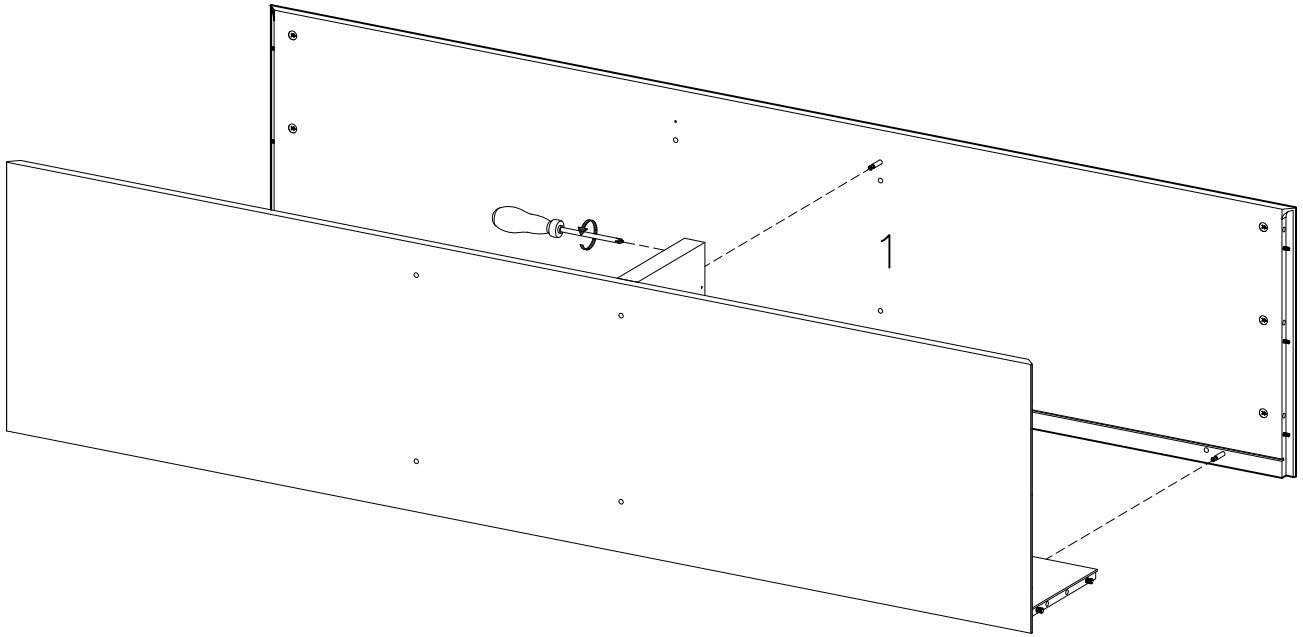
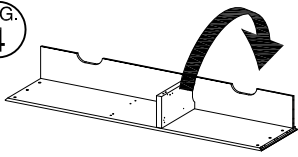


FIG.  
5

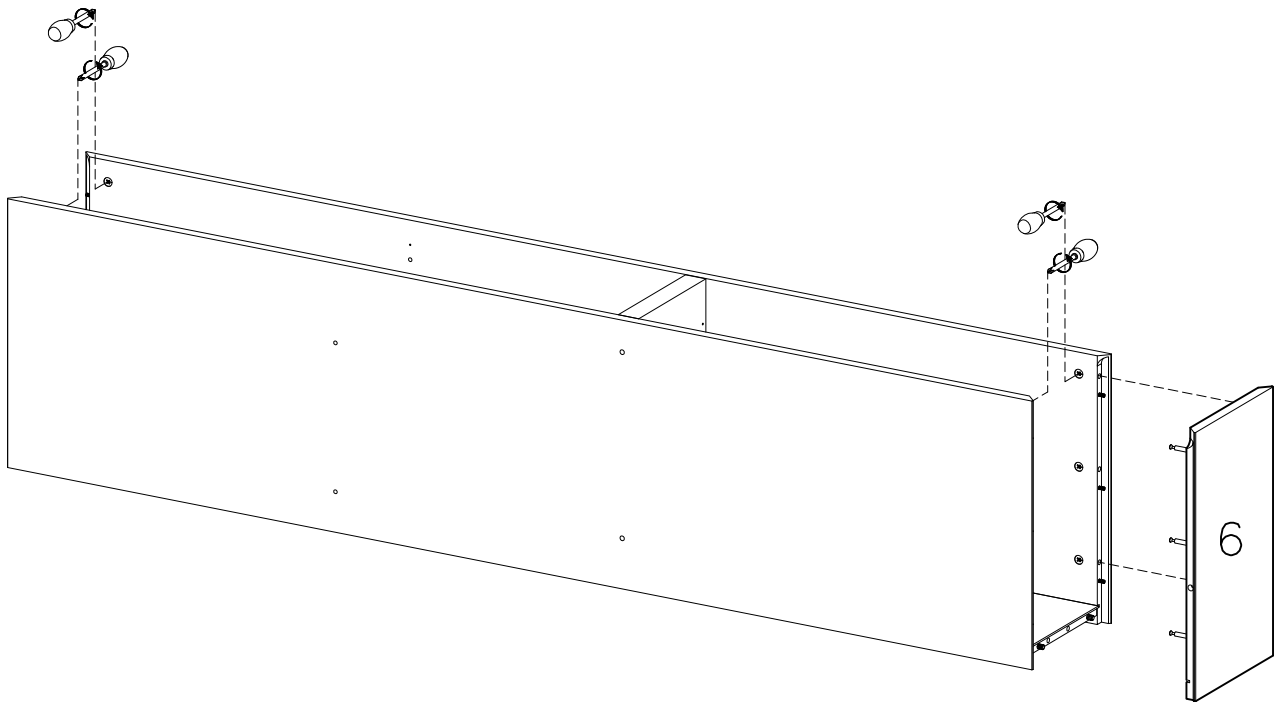





FIG. 6

# Attention! model 0260

 X 2 970001358 D15	 X 2 970000764 4,2x18mm	 X 5 1978103516 3,5x18mm
--	---	--

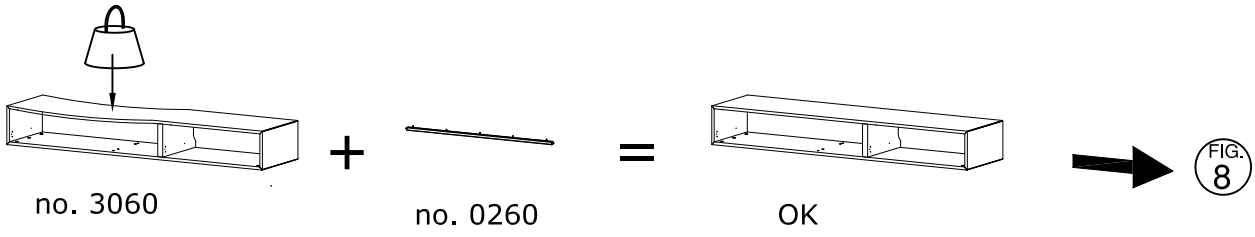


FIG. 7

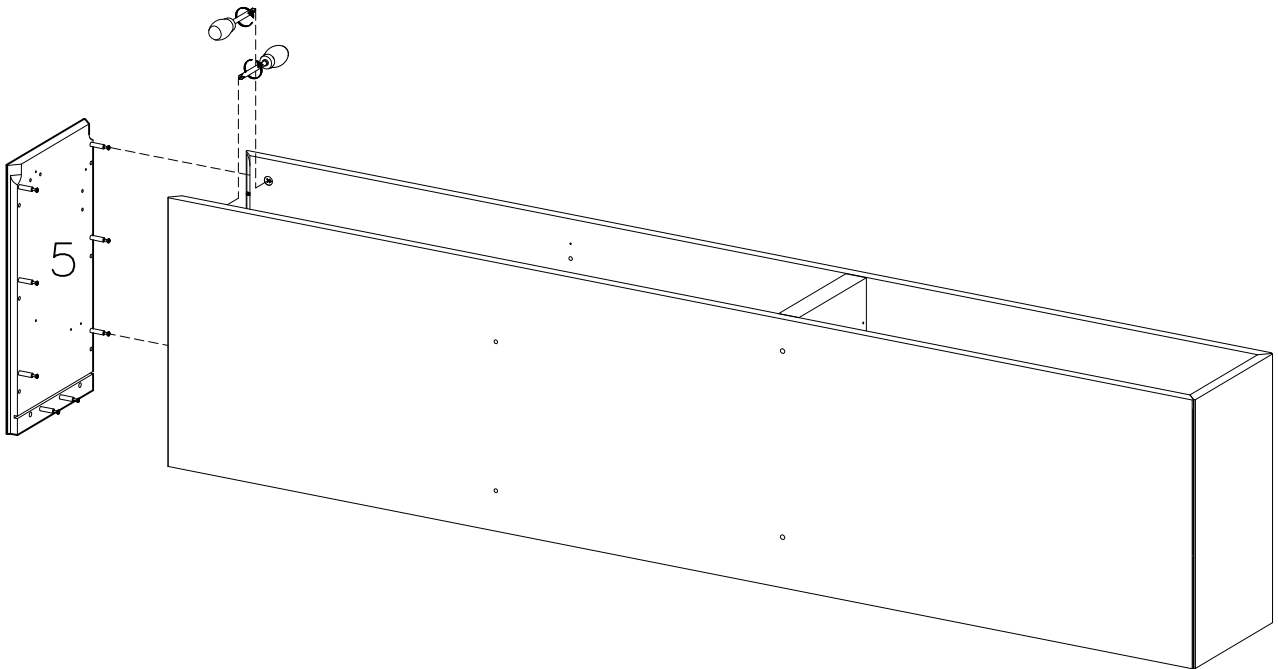





FIG. 8

- |   |   |   |
|---|---|---|
|  |  |  |
| X 2   | X 2   | X 5   |
| 970001358<br>D15  | 970000764<br>4,2x16mm   | 1978103516<br>3,5x16mm  |

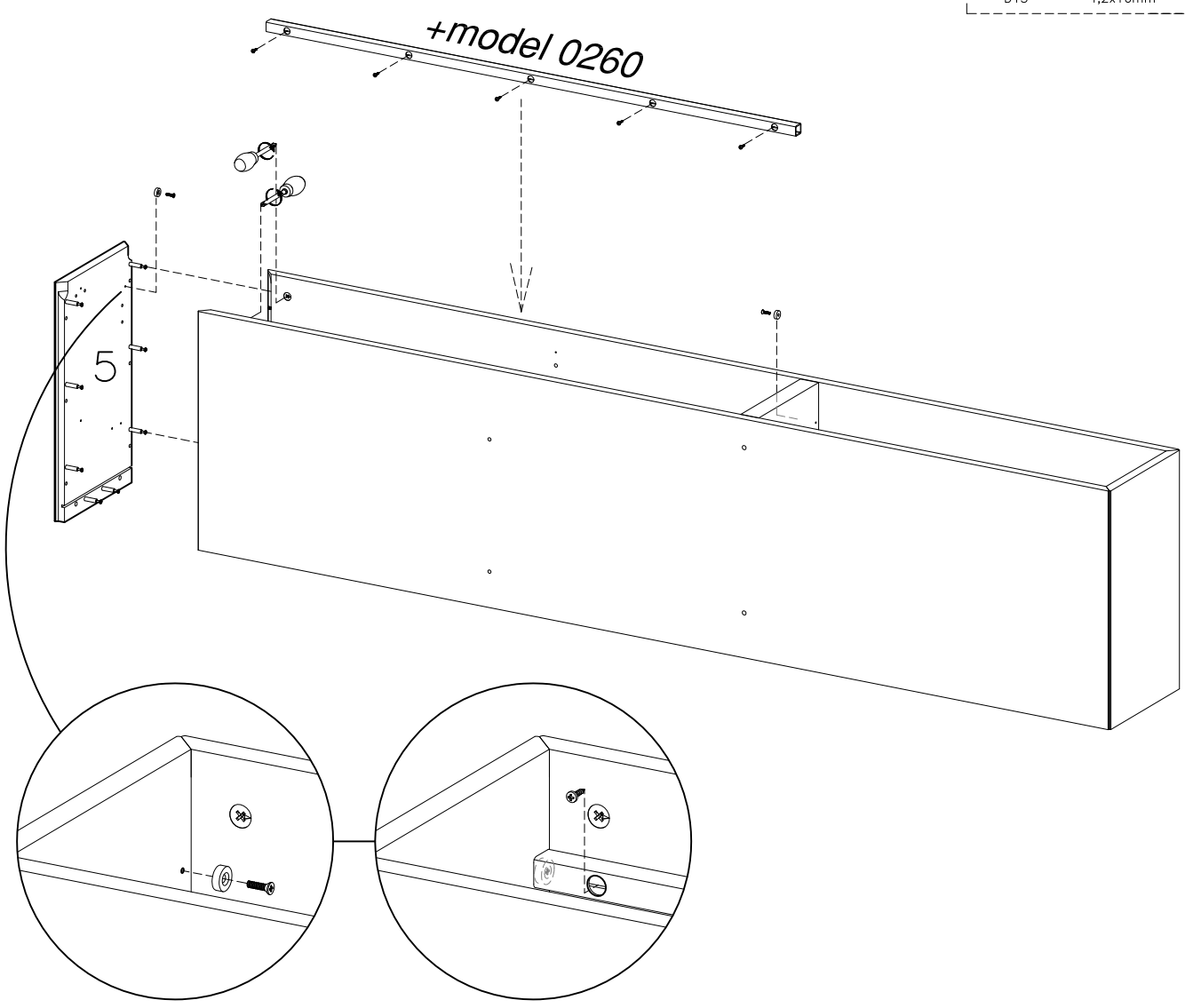





FIG. 9

- |   |   |   |
|---|---|---|
|  |  |  |
| F X 2   | G X 2   | H X 1   |
| M6  | M6x55mm   | 4mm   |

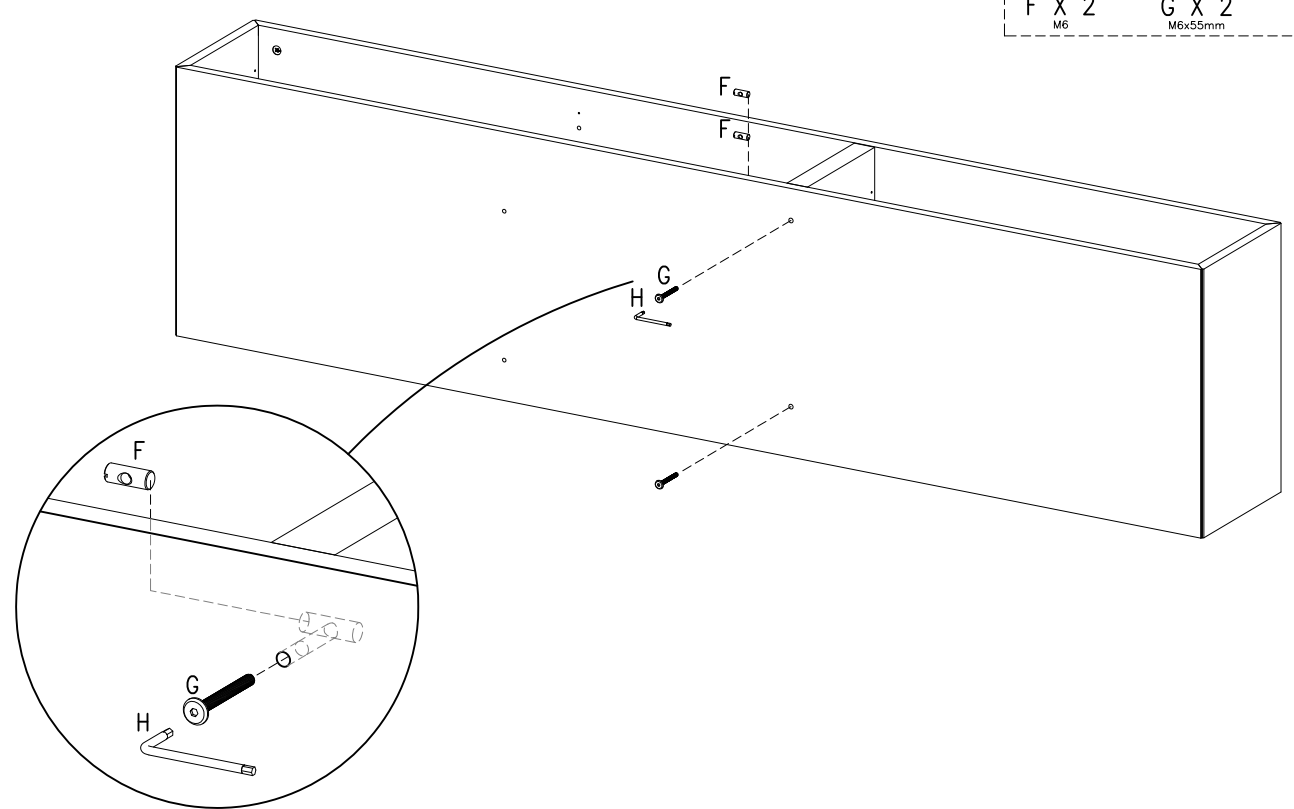


FIG. 10

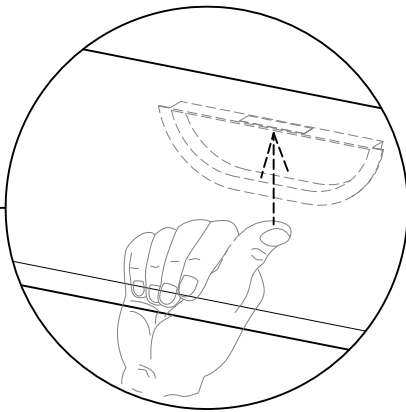
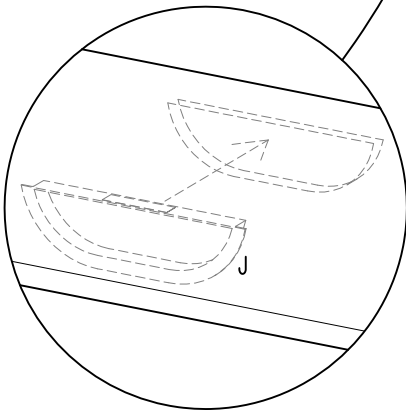
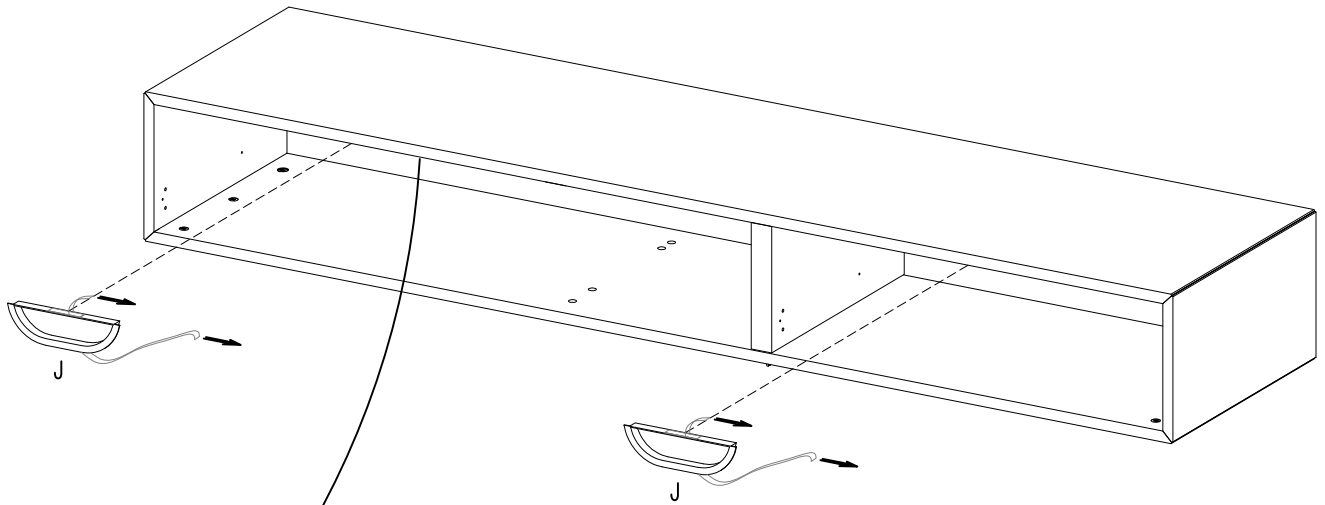
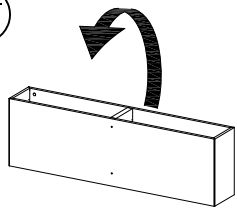
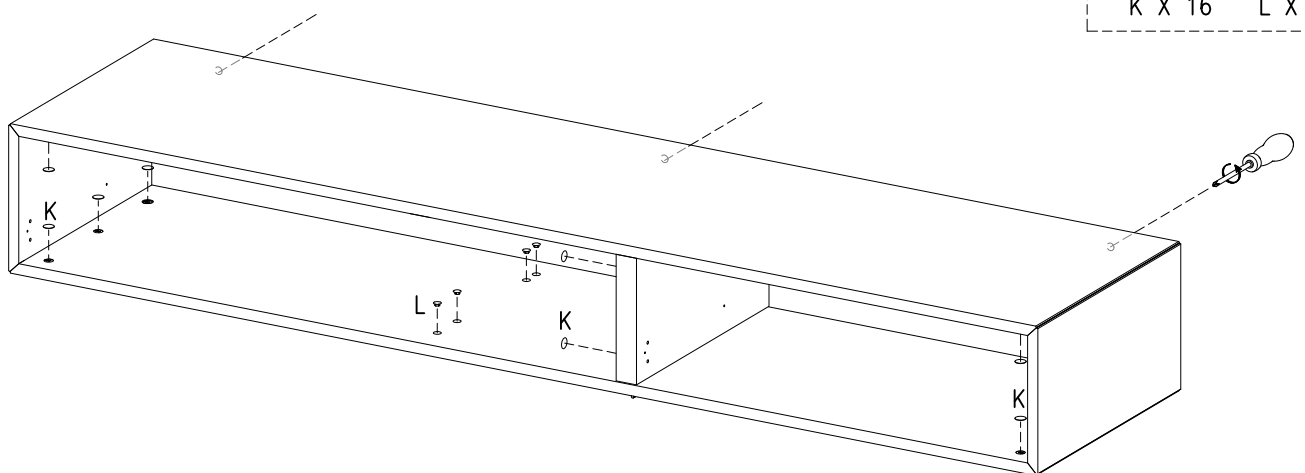
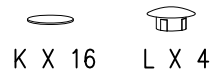


FIG. 11



**!** DK Ved reklamation oplyses følgende:  
 D Im Reklamationsfall, bitte folgendes erläutern:  
 US In case of claims, please state the following:  
 F En cas de réclamation, veuillez indiquer:  
 NL Bij service volgene mededelen  
 E En caso de reclamación, indicar lo siguiente:  
 P No caso de reclamação, por favor indique o seguinte:  
**■** JP お気づきの点等ございましたら、以下の点をお知らせください。

Example!

