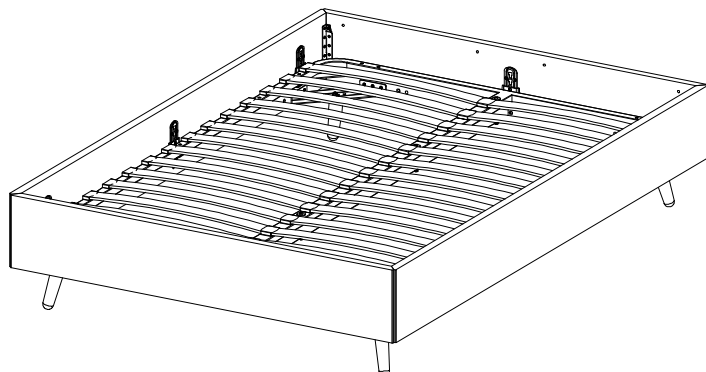


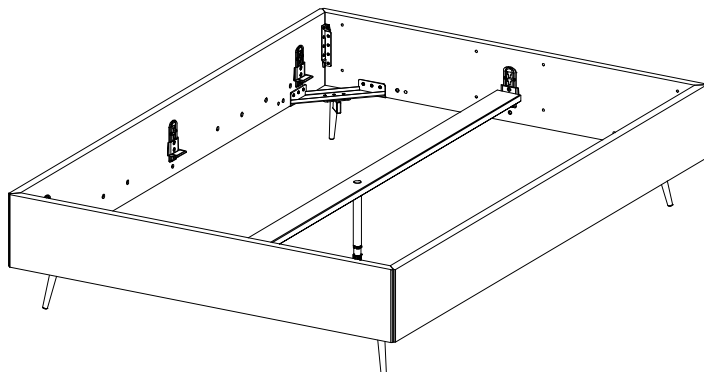
Bed Concept

Design by BoConcept

Samvejledning - Assembly Instructions - Montageanleitung - Instructions d'assemblage - Instrucciones de montaje



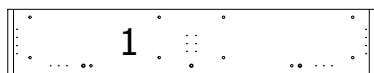
1310+410+40/50
1340+440+40/50
1350+450+40/50
1360+460+40/50
1380+480+40/50
1390+490+40/50



1310 + 40/50
1340+100+40/50
1350+100+40/50
1360+100+40/50
1380+100+40/50
1390+100+40/50

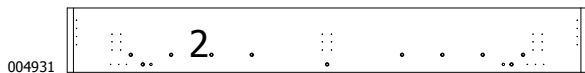
Col. 1 / no.0311, 0341, 0351, 0361, 0381, 0391

no.1311 = 004932
no.1341 = 004933
no.1351 = 004934
no.1361 = 004935
no.1381 = 004936
no.1391 = 004937



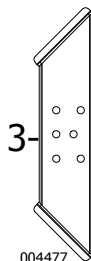
x2

Col. 2 / no.0312



x2

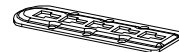
Col. 3 / no.1313



x4



A x 4
970001353
Left



E x 8
970001486



B x 4
970001352
Right



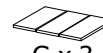
F x 8
970001490



C x 36
1978003520
3,5x20mm

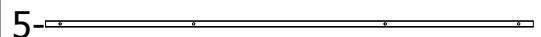
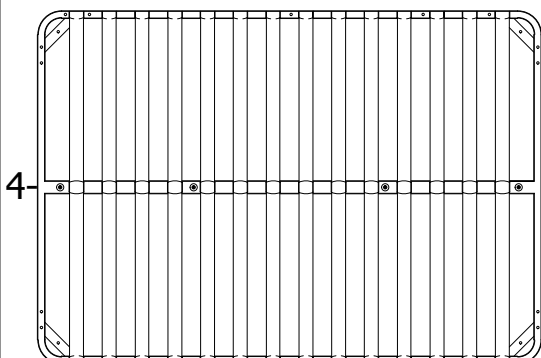


D x 72
970000635
4,5x20mm



G x 3
1979000100

No. 0410, 0440, 0450, 0460, 0480, 0490



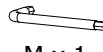
H x 4
970000882
M8x90mm



L x 4
970000884
D20x1,4mm



J x 4
970000885
D28x2mm



M x 1
1979300005
5mm

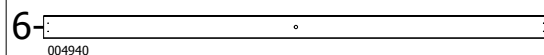


K x 4
970000883
M8



N x 1
979900048
12mm

No. 0100



004940



P x 1
1974600010



Q x 1
1974600011



R x 1
1974600001
198mm

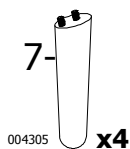


S x 1
1974600012
M10x45mm



T x 4
1978003516
3,5x15mm

No. 0040



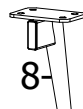
x4

K x 8
970000883
M8

U x 8
1978890002
D18x1,25

N x 1
979900048
12mm

No. 0050



x4

K x 16
970000883
M8

U x 16
1978890002
M8 D18x1,25

V x 16
9799000119
M8x15mm

M x 1
1979300005
5mm

N x 1
979900048
12mm

FIG. 1

- A x 4
Left
- B x 4
Right
- C x 32
3,5x20mm
- D x 48
4,5x20mm
- E x 8

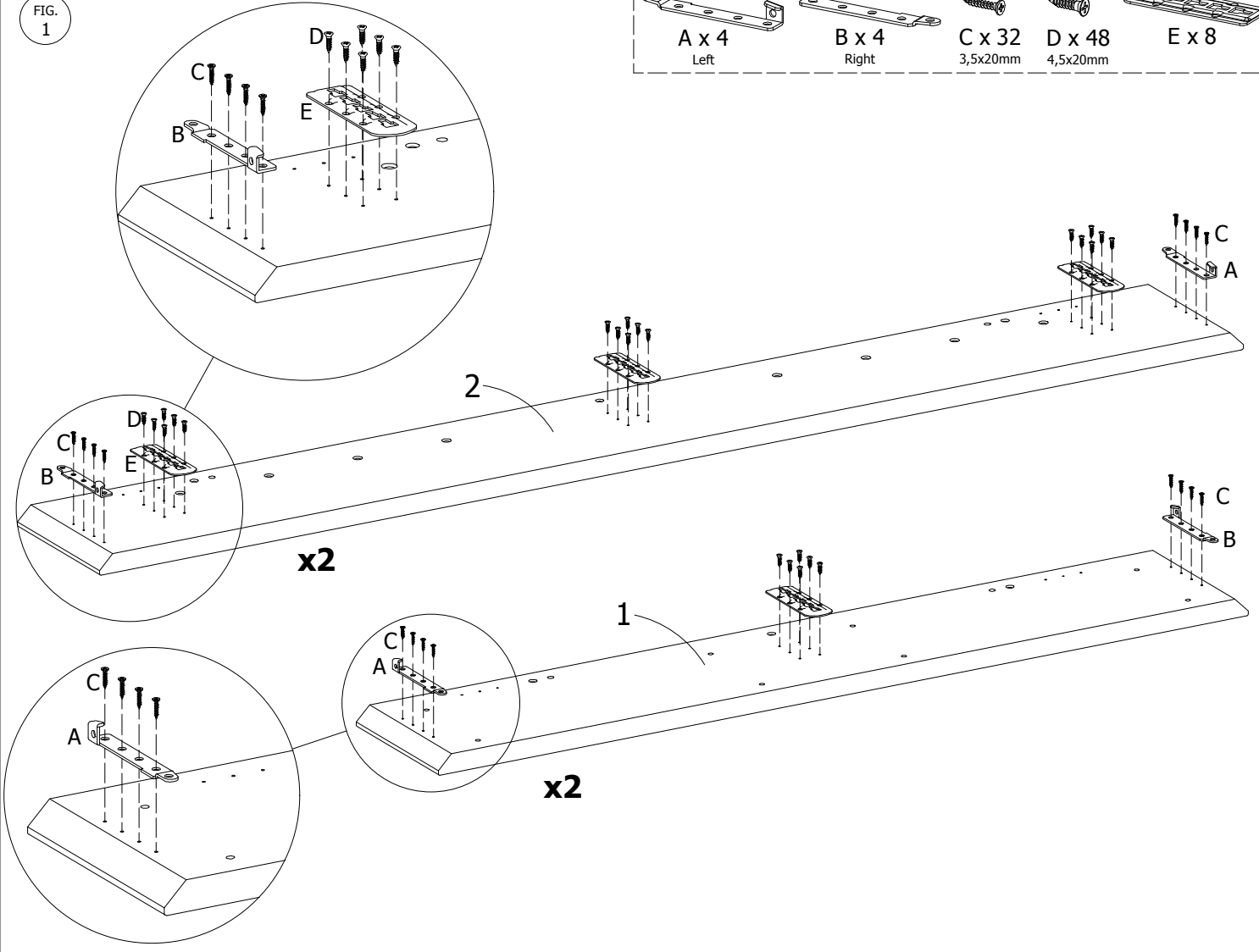


FIG. 2

- D x 12
4,5x20mm

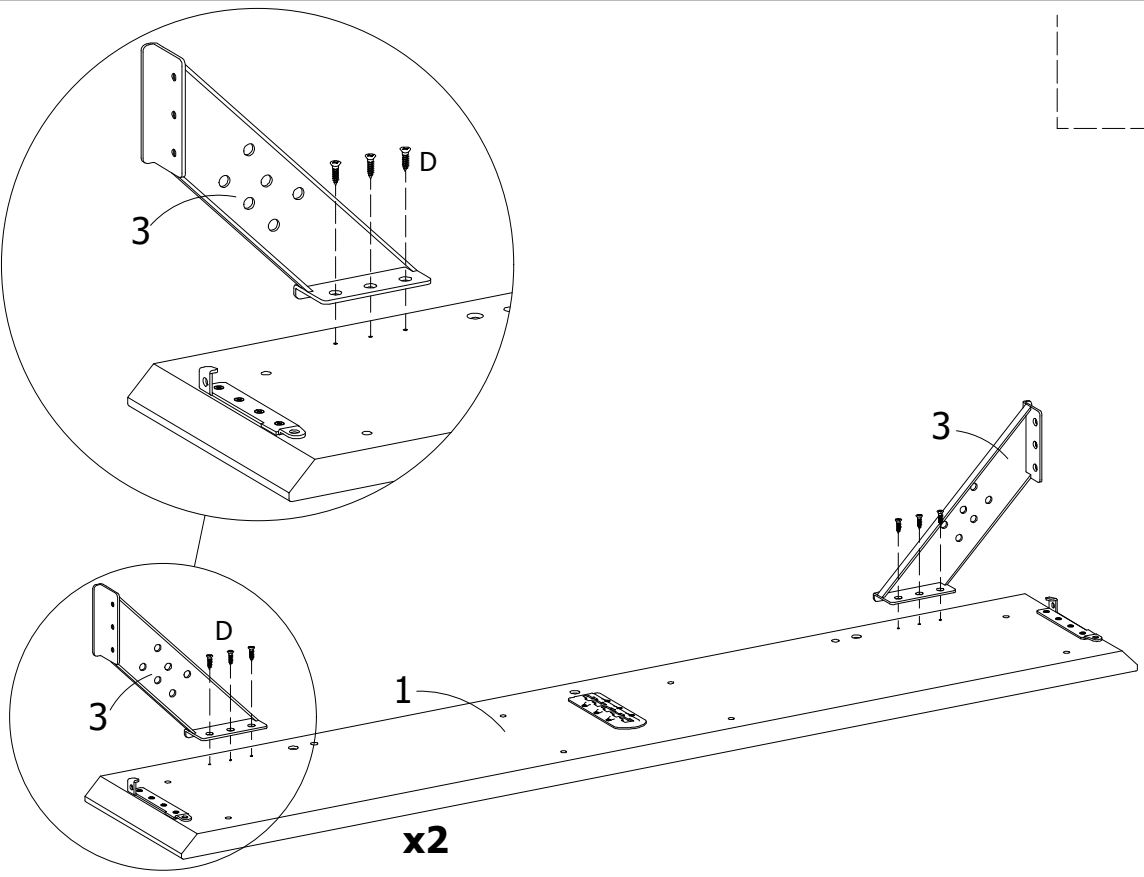




FIG.
3

 C x 2
3,5x20mm

 D x 6
4,5x20mm

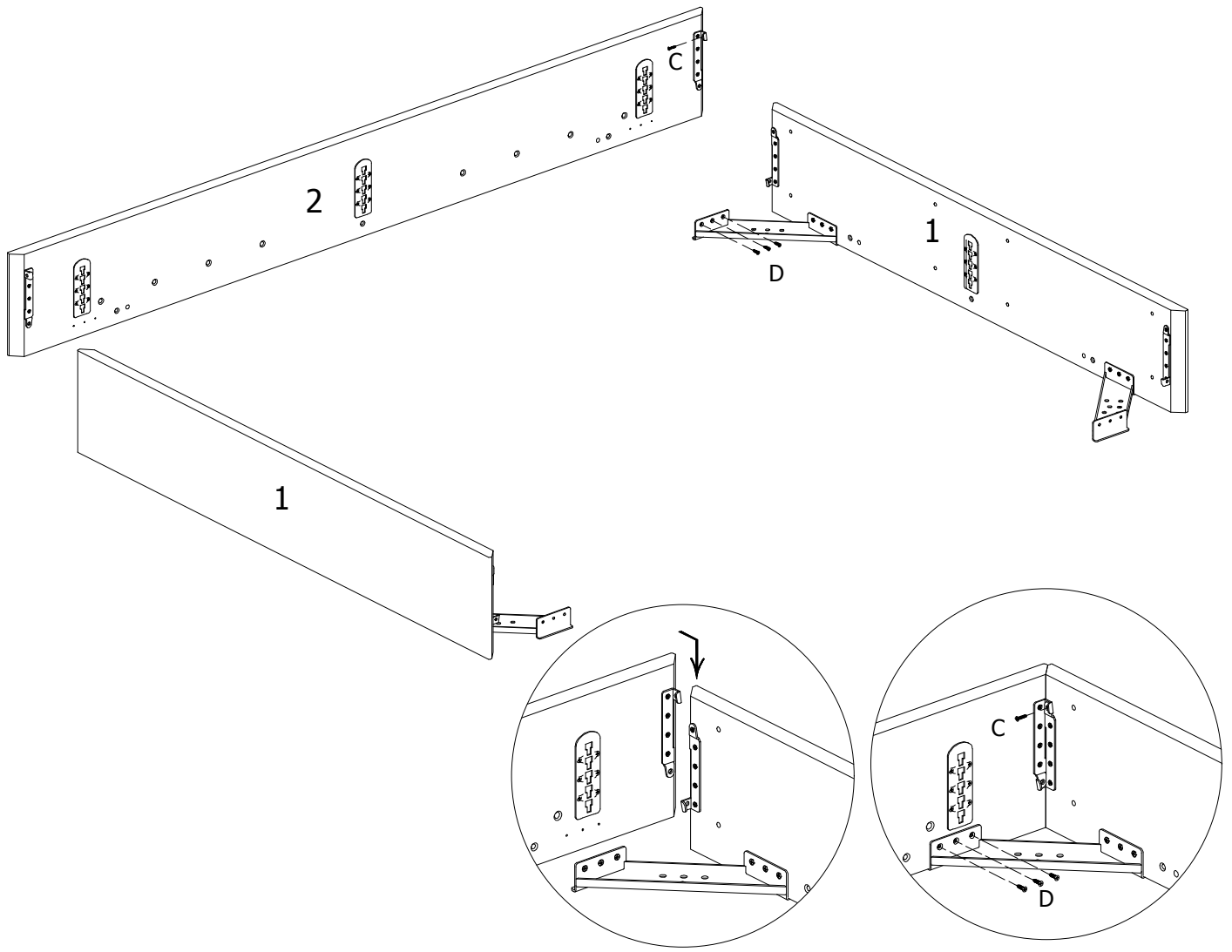




FIG.
4

 C x 2
3,5x20mm

 D x 6
4,5x20mm

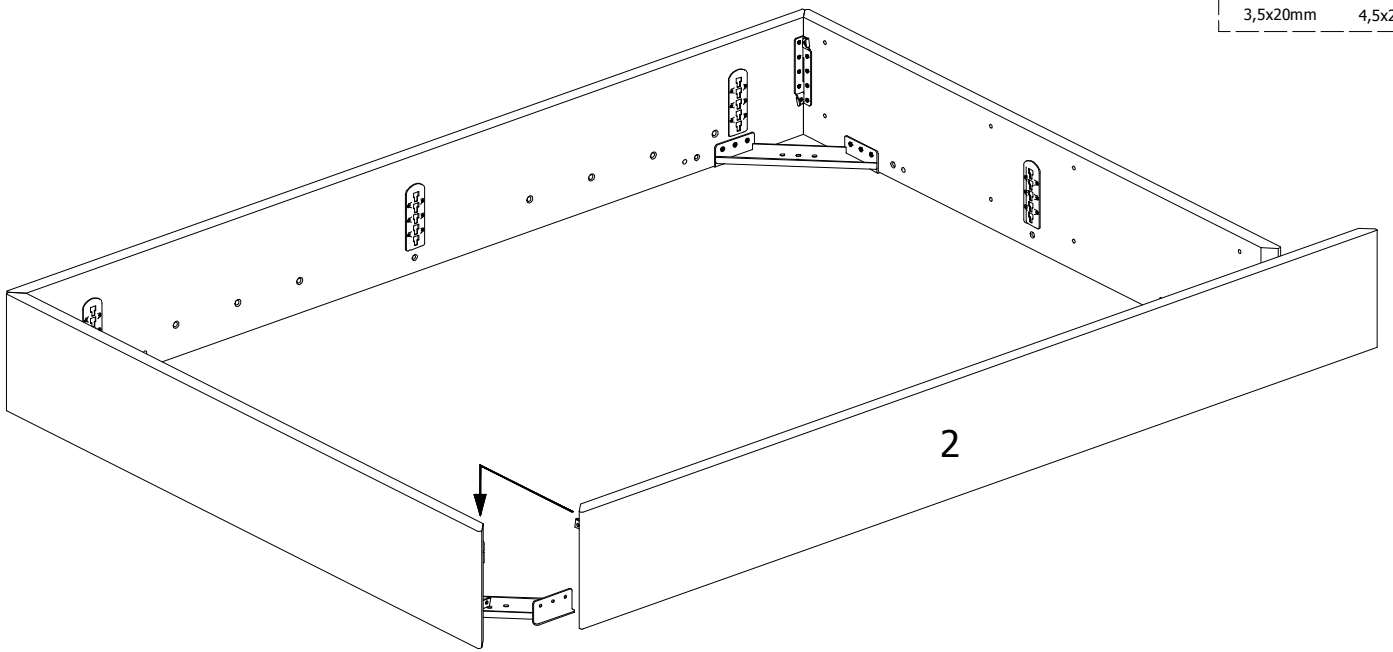
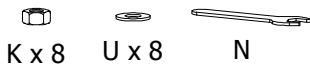
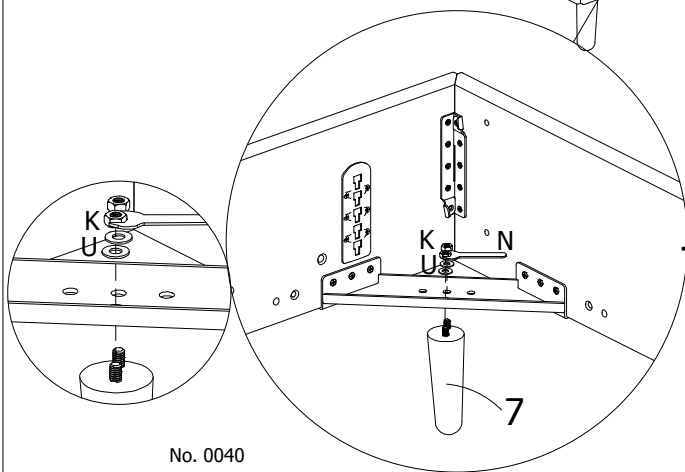
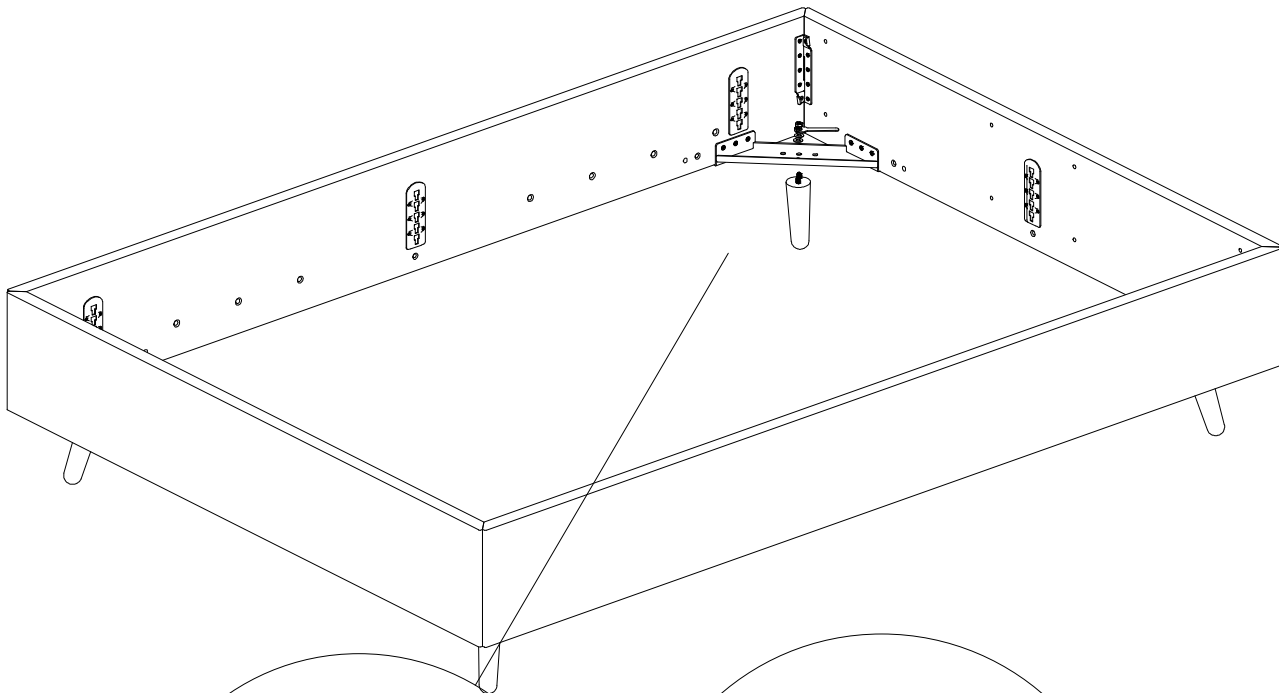


FIG.
5

No. 0040

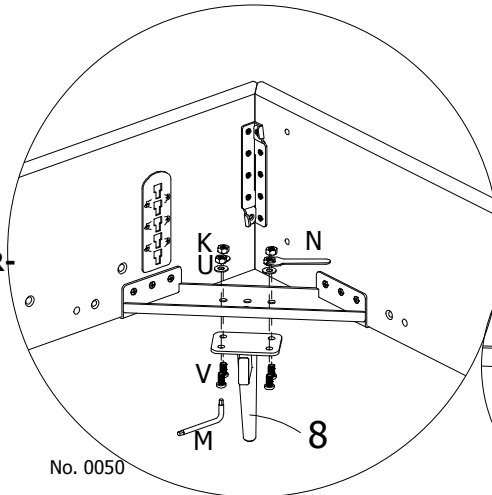


No. 0050

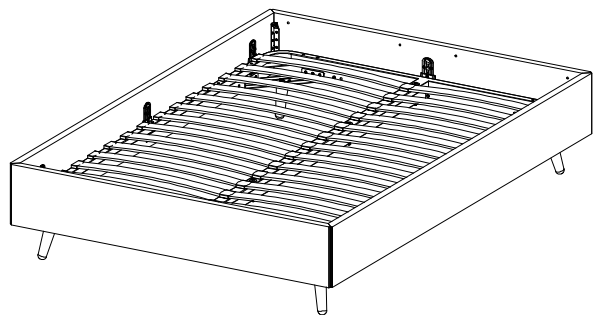
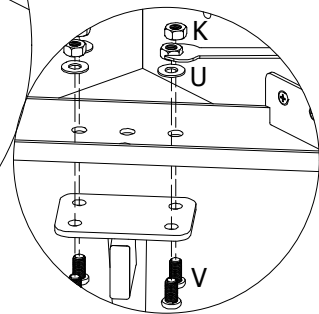


No. 0040

-OR-



No. 0050



-OR-

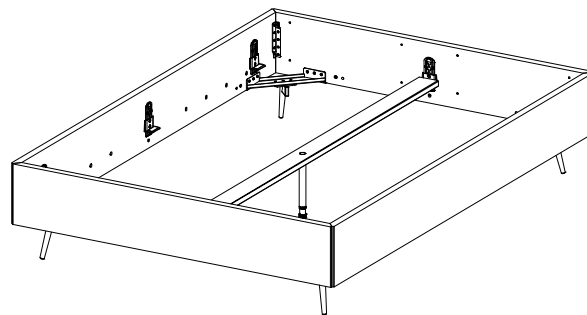


FIG. 6

- H x 4
- J x 4
- K x 4
- L x 4
- M x 1
- N x 1

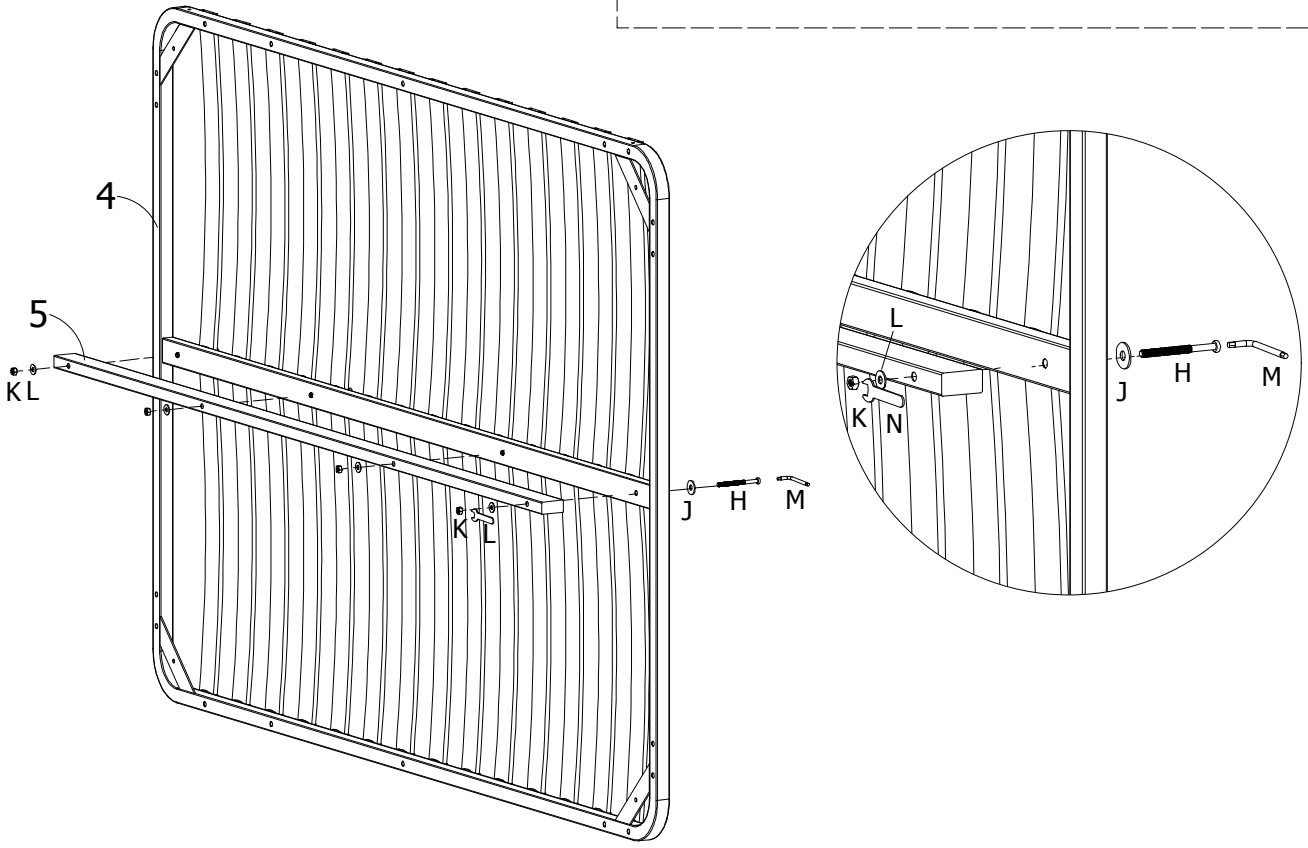


FIG. 7

- F x 8
- G x 3

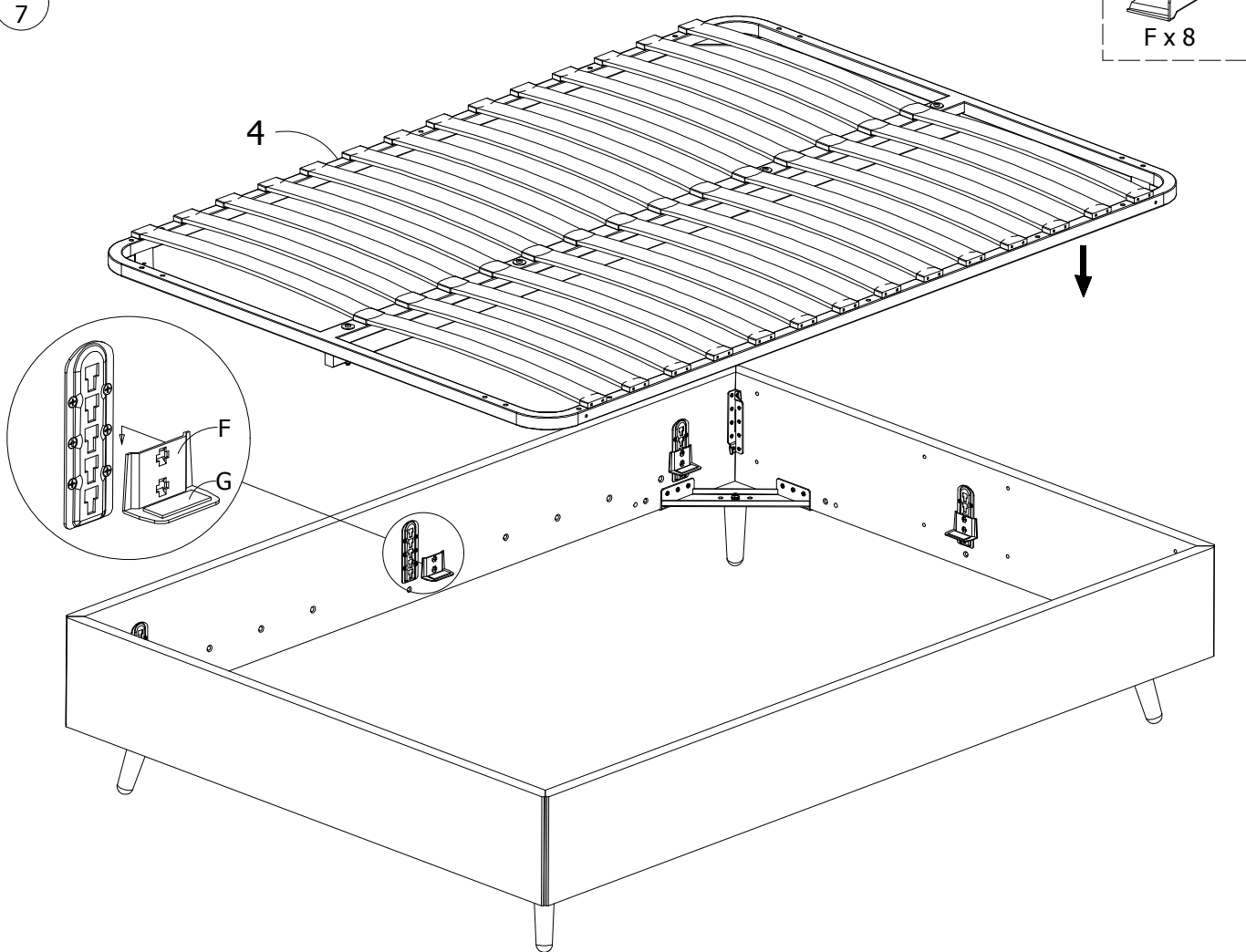


FIG. 8

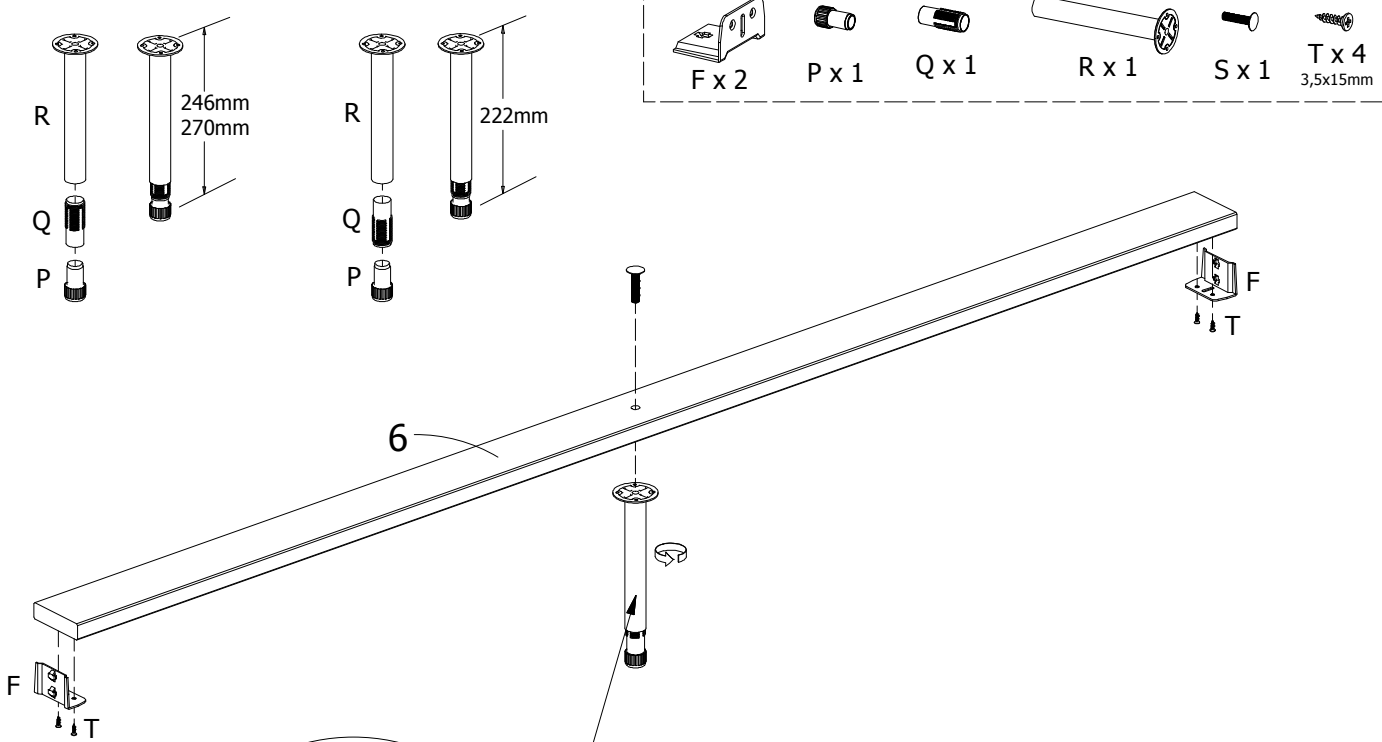
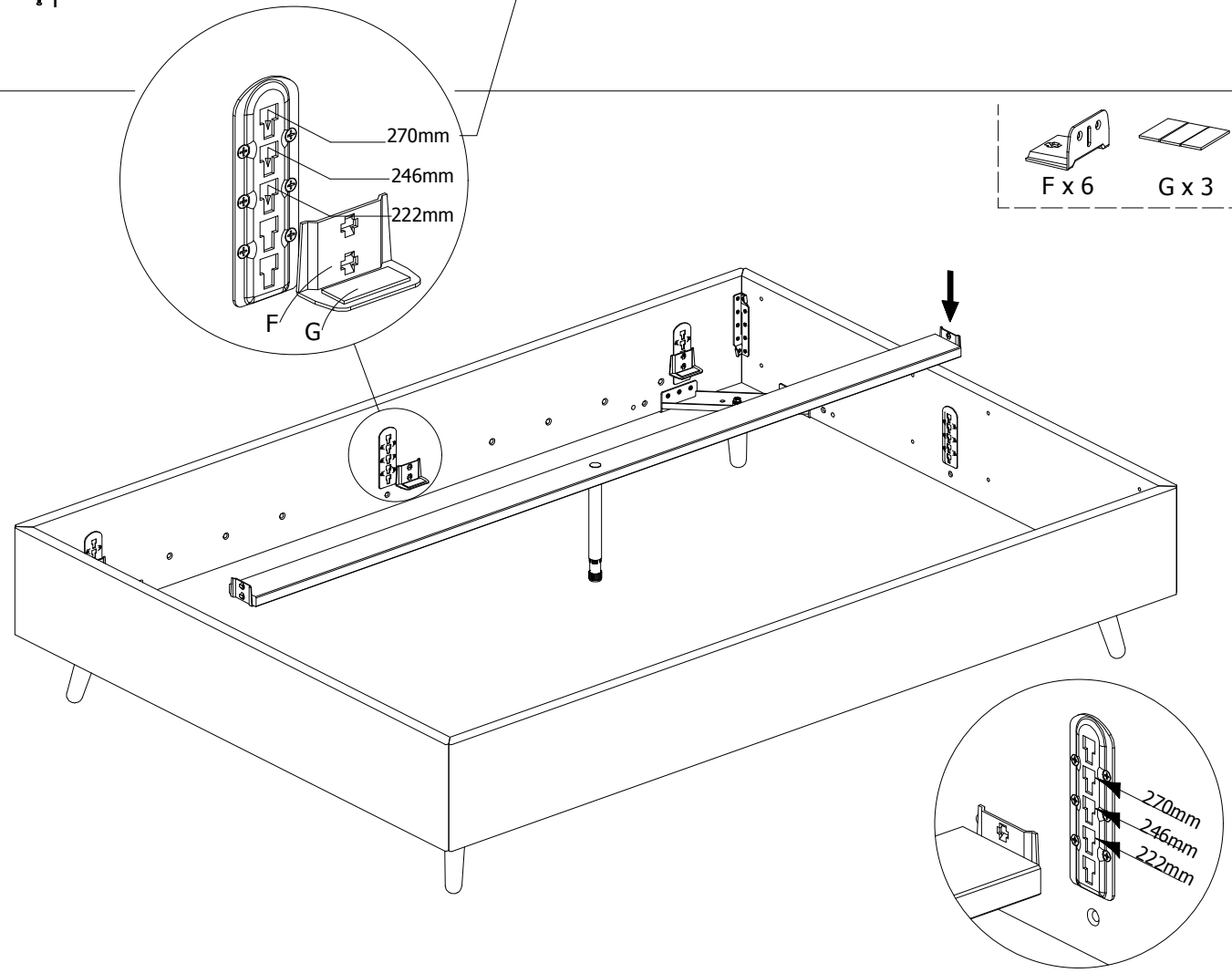


FIG. 9



DK Ved reklamation oplyses følgende:
 D Im Reklamationsfall, bitte folgendes erläutern:
 US In case of claims, please state the following:
 F En cas de réclamation, veuillez indiquer:
 NL Bij service volgene mededelen
 E En caso de reclamación, indicar lo siguiente:
 P No caso de reclamação, por favor indique o seguinte:
 JP お気づきの点等ございましたら、以下の点をお知らせください。

Example!

