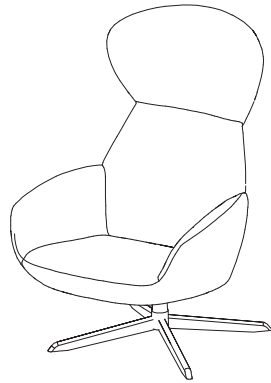


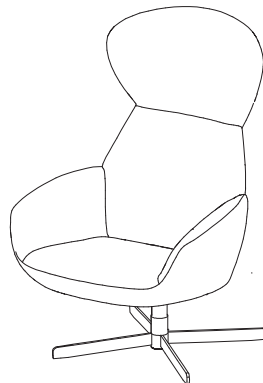
Athena Chair

Design by BoConcept

Samvejledning - Assembly Instructions - Montageanleitung - Instructions d'assemblage - Instrucciones de montaje

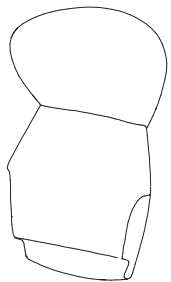


406-1360

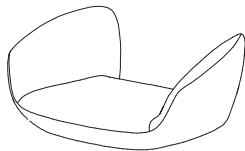


406-1370

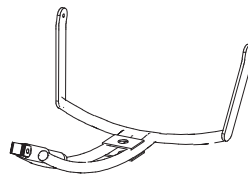
Chair



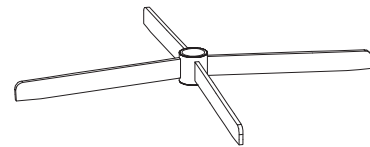
A:



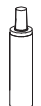
B:



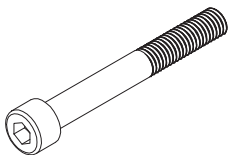
C:



D:



E:



F: M8x65



R: M8



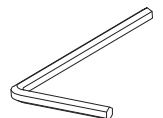
L:



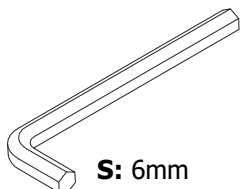
G: Ø10



H: M6 x 15



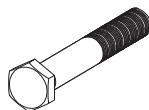
I: 4mm



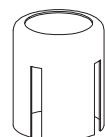
S: 6mm



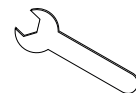
J: M6



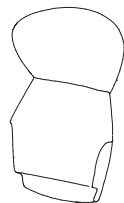
K: M6x50



**Q: Cup Ø60
(1370)**



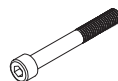
T:



A x 1 pcs



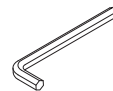
B x 1 pcs



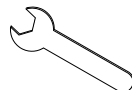
F x 2 pcs



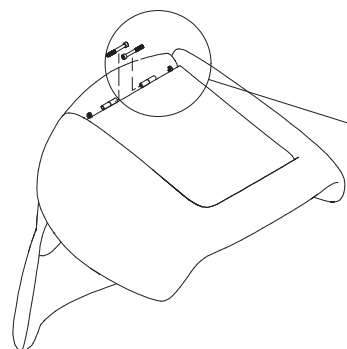
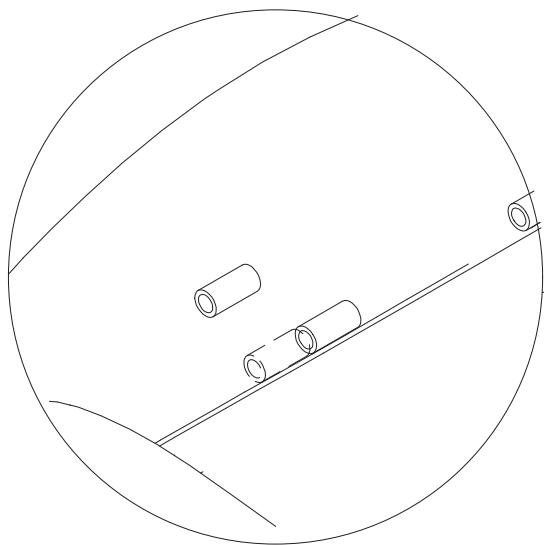
R x 2 pcs



S x 1 pcs

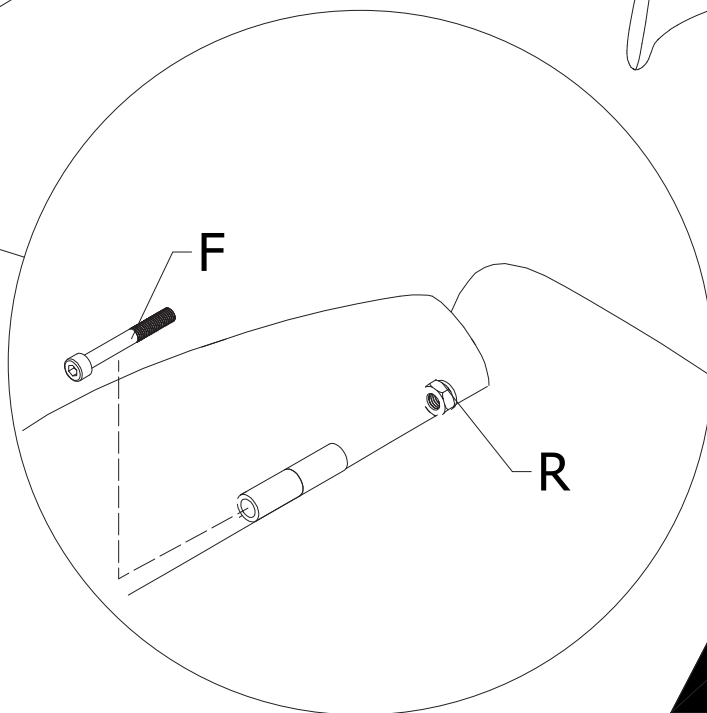


T x 1 pcs



A

B

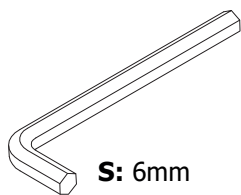


F

R

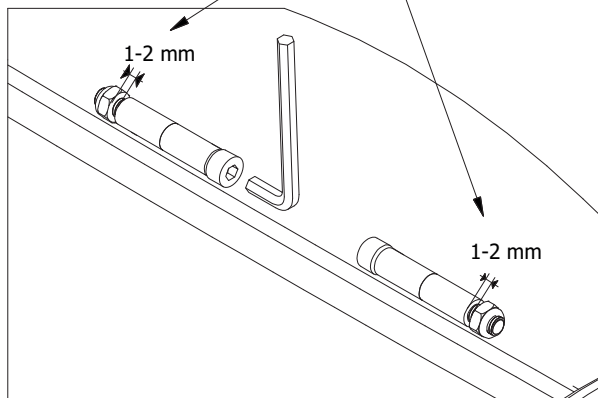


T



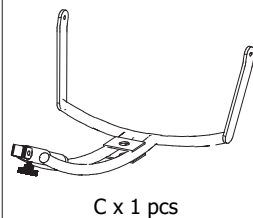
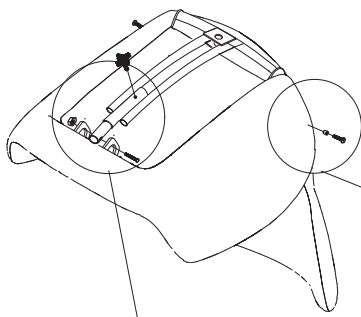
S: 6mm

! Assure that seat/back connection is not overtightened



1-2 mm

1-2 mm



C x 1 pcs



L x 1 pcs



H x 2 pcs



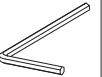
G x 2 pcs



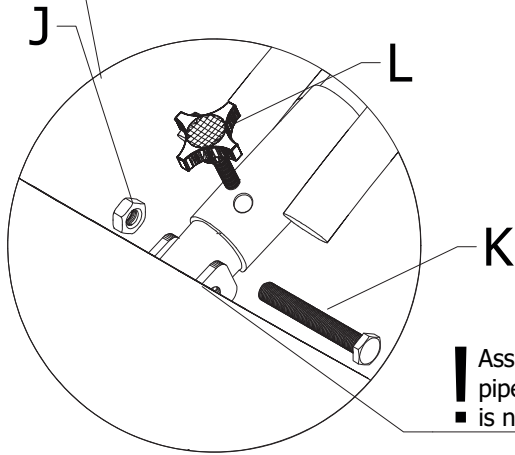
J x 1 pcs



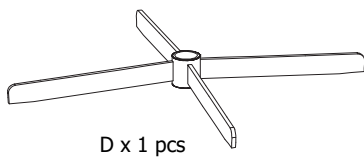
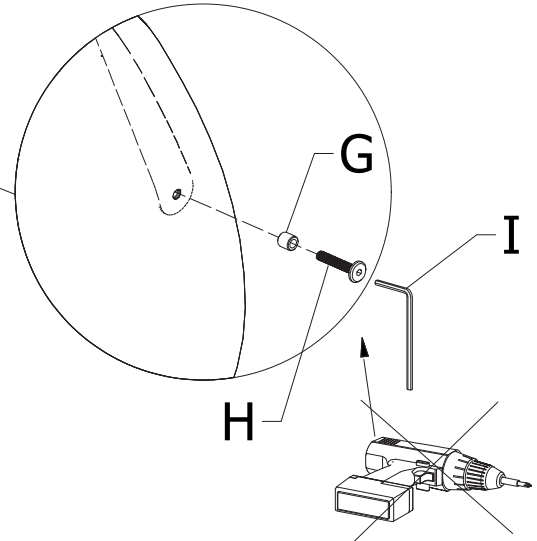
K x 1 pcs



I x 1 pcs



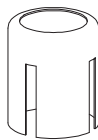
Assure that sliding pipe/seat connection is not overtightened



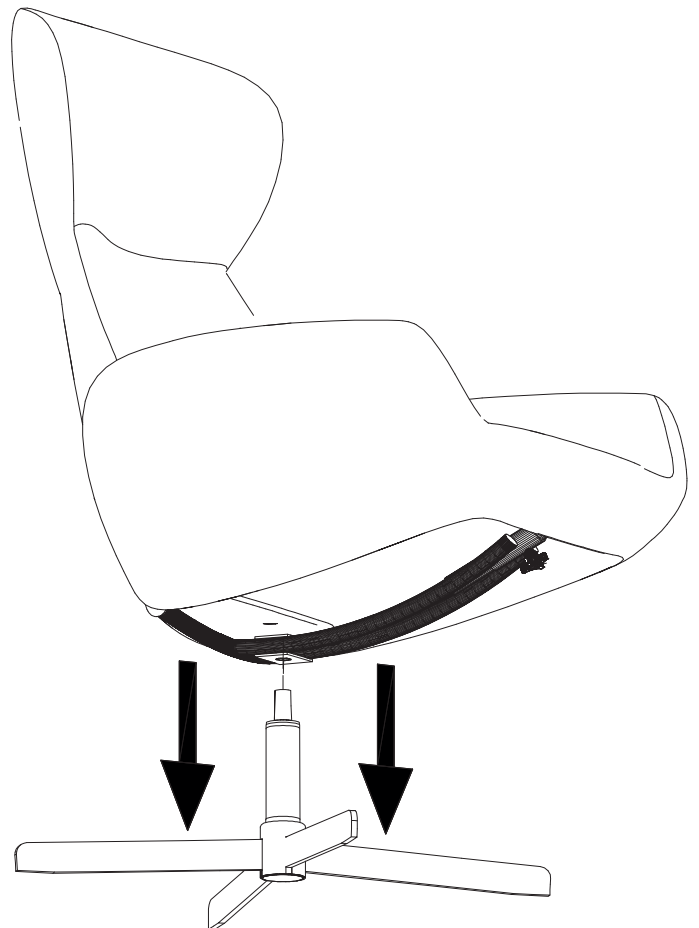
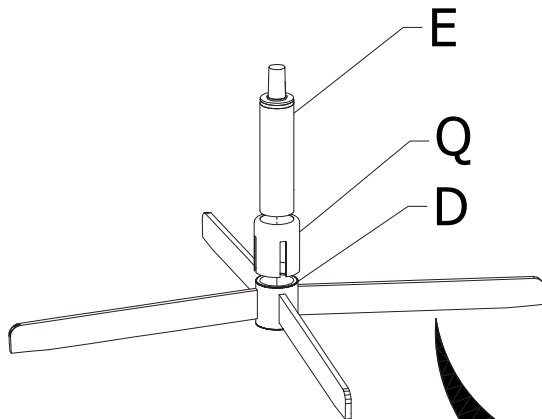
D x 1 pcs



E x 1 pcs



Q x 1 pcs



DK Ved reklamation oplyses følgende:

D Im Reklamationsfall, bitte folgendes erläutern:

US In case of claims, please state the following:

F En cas de réclamation, veuillez indiquer:

NL Bij service volgene mededelen

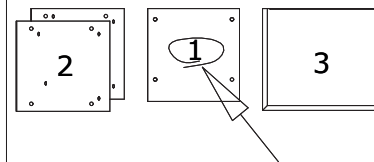
E En caso de reclamación, indicar lo siguiente:

P No caso de reclamação, por favor indique o seguinte:

JP お気づきの点等ございましたら、以下の点をお知らせください。

Example!

Korpus - Korpus - Carcase - Carcasse



Beslag - Fittings - Beschläge - Set de Montage

