

Augusta

Design by BoConcept

Samvejledning - Assembly Instructions - Montageanleitung - Instructions d'assemblage - Instrucciones de montaje

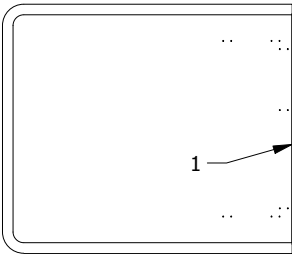


370-5170

74,5x230/306x99 cm 80 kg

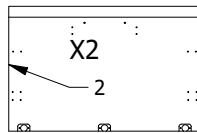
Col 5171 x 2

006271 Wood
006318 Dark ceramic
006407 Light ceramic

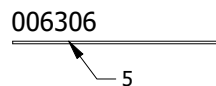
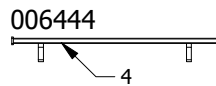
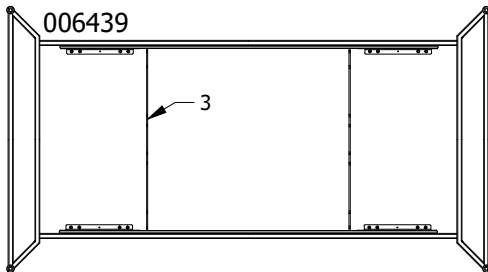


Col 5172

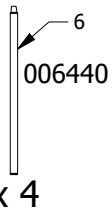
006268 Wood
006317 Dark ceramic
006408 Light ceramic



Col 5173

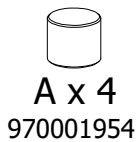


Col 5174



x 4

Col 5173/5183 Fitting bag 937000152



A x 4

970001954



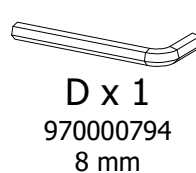
B x 4

970001864



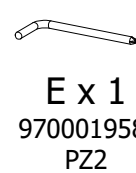
C x 4

970001950
M10



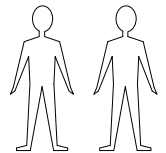
D x 1

970000794
8 mm

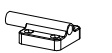


E x 1

970001958
PZ2



Col 5172/5182 Fitting box 930001124



F x 2

970001314



G x 1

970001269



H x 2

970001290



J x 2

970001289
4,5x20 M3 inside



K x 1

970001693
5 mm



L x 4

970001369



M x 8

970001059
Male



N x 8

970001086
Female



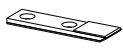
P x 3

970001278



Q x 32

970000786
4,0x16 mm
Black



R x 2

970001263



S x 4

970001279
4,2 x 13,5 mm



T x 4

970001084
female



U x 4

970001083
Male



V x 2

970001944
M8 x 20 mm



W x 4

970001767
M6x10



Y x 8

970001809
4,5x25



Z x 16

970001248
4,0x20 mm



AA x 4

970001098



BB x 2

970001735



CC x 1

970001692
4 mm



DD x 8

970001768
M4 x 12 mm

FIG. 1

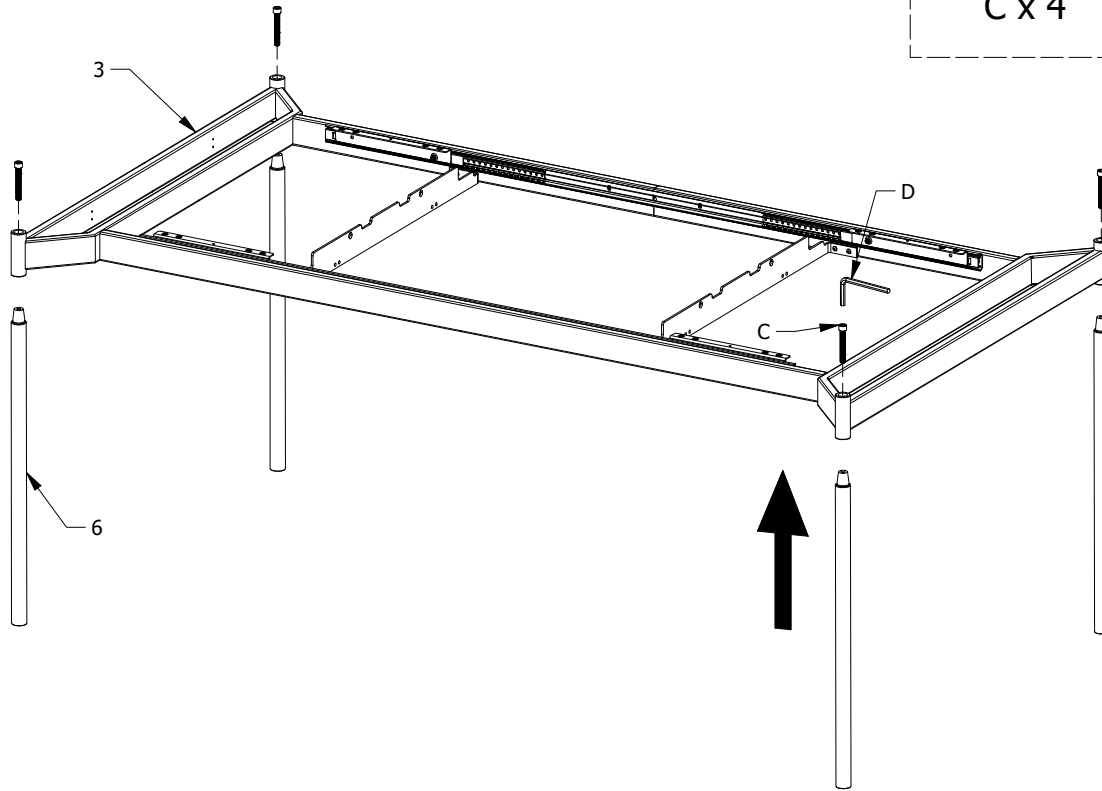


FIG. 2

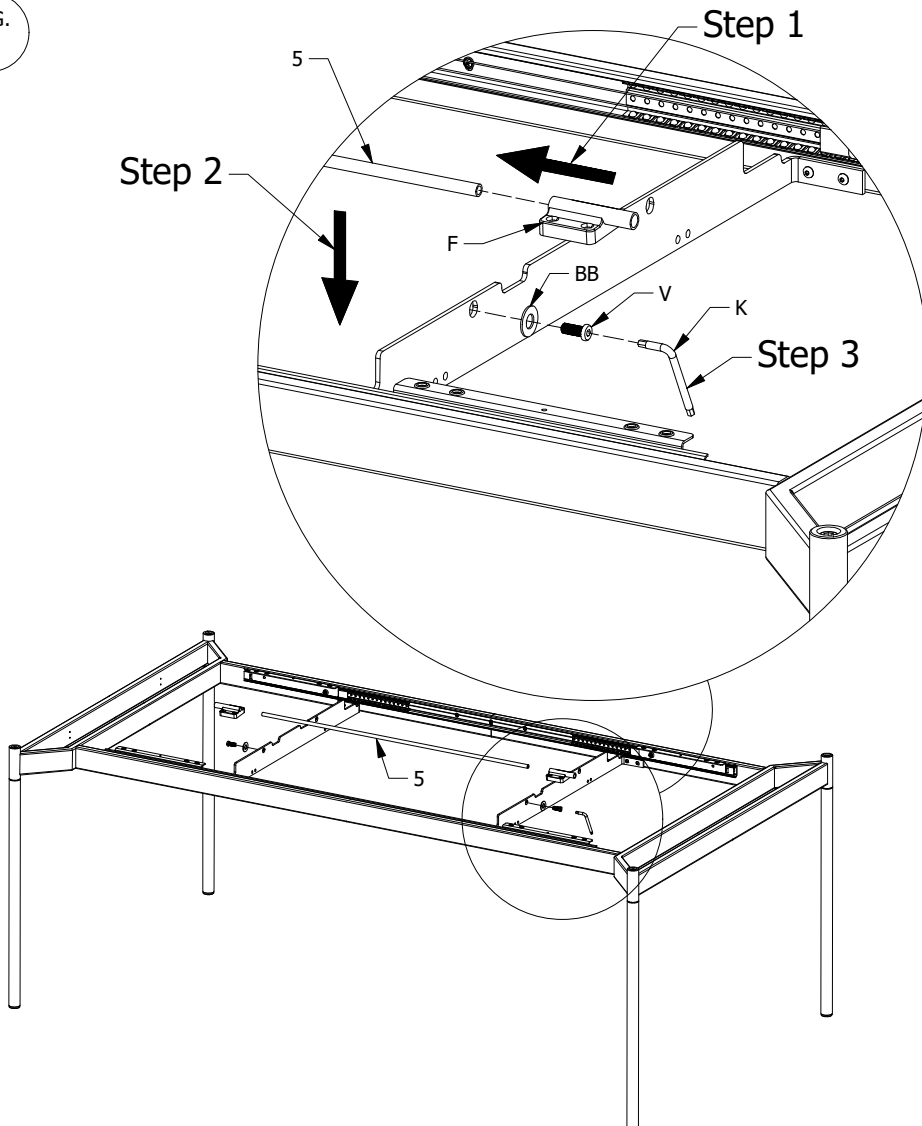
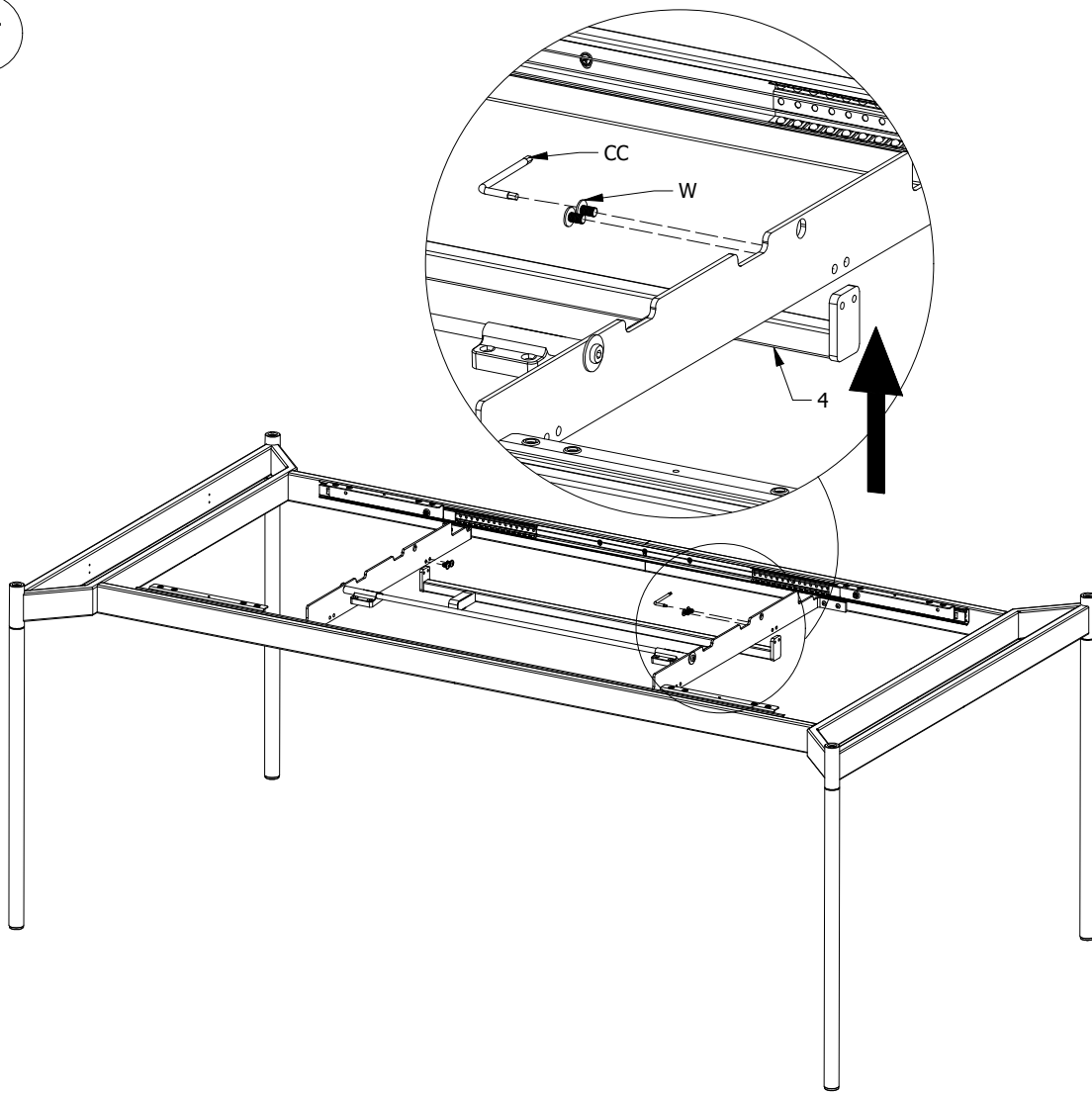


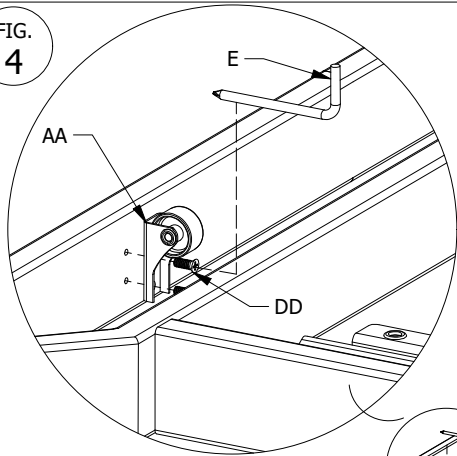
FIG. 3



CC x 1

W x 4

FIG. 4



E x 1

AA x 4

DD x 8

-  **G x 1**
  **H x 2**
  **J x 2**
  **L x 4**
  **M x 8**
  **N x 8**
  **P x 3**
  **Q x 28**
  **R x 2**
  **S x 4**
  **T x 4**
  **U x 4**

FIG. 5

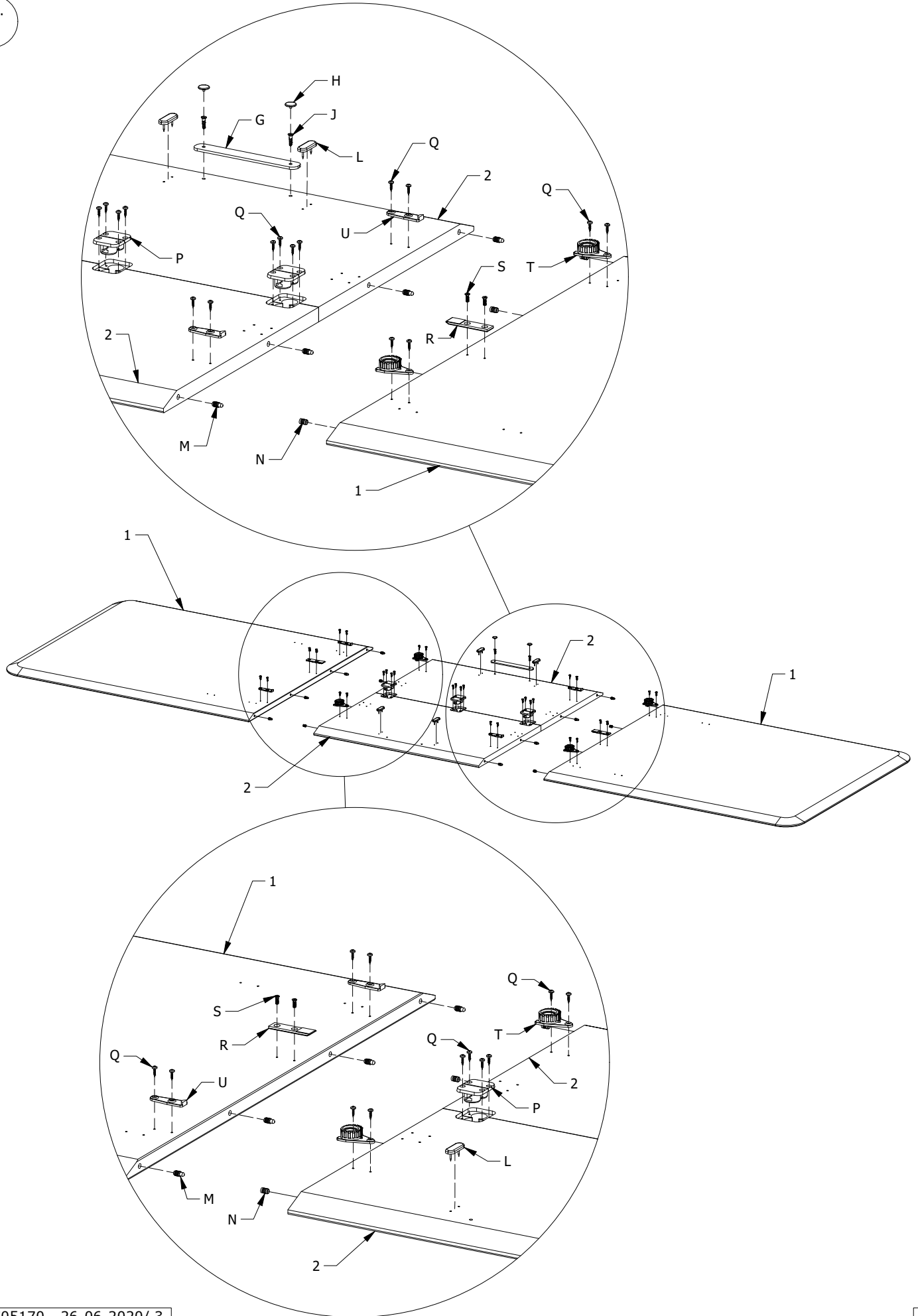


FIG. 6

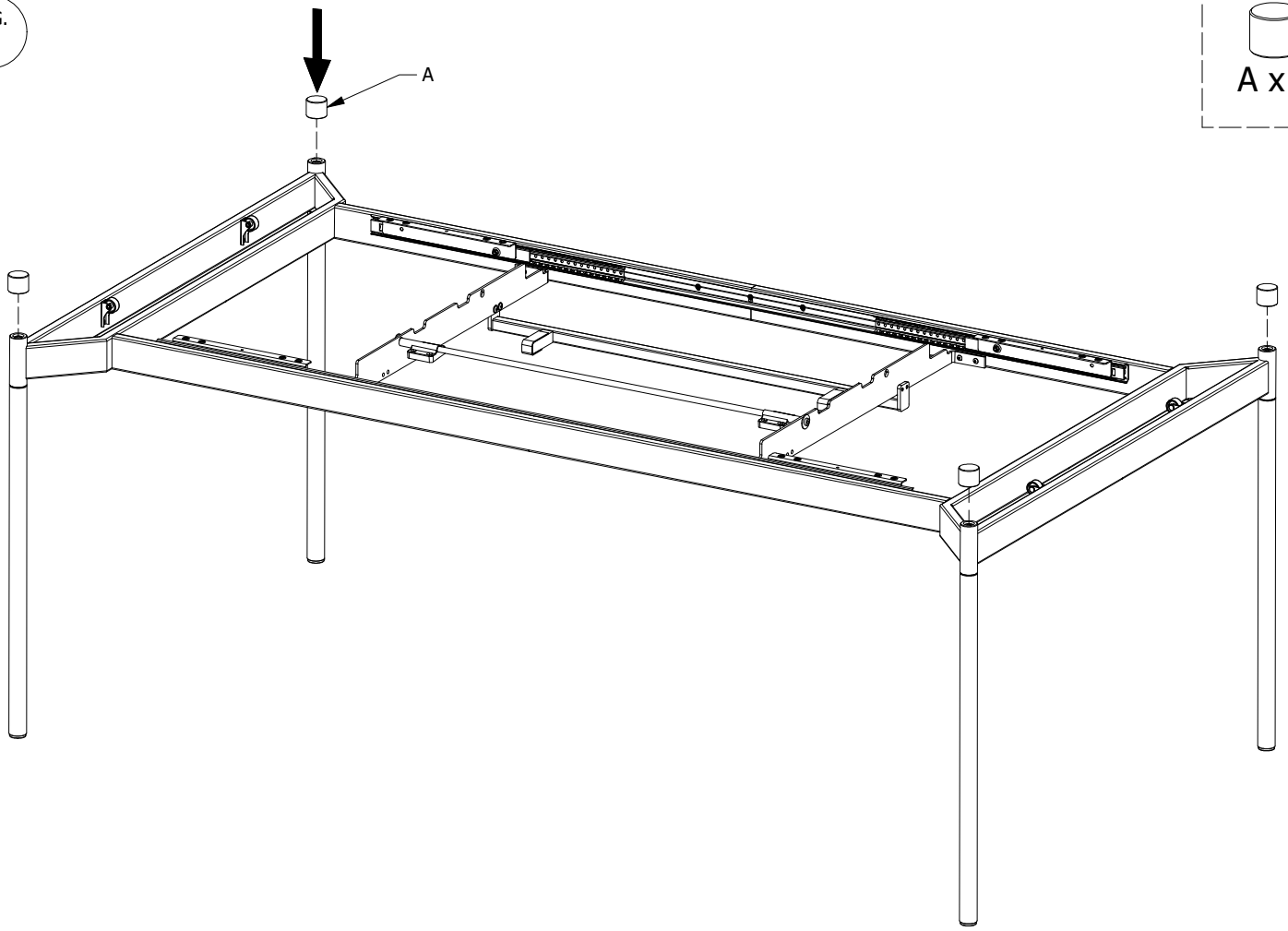


FIG. 7

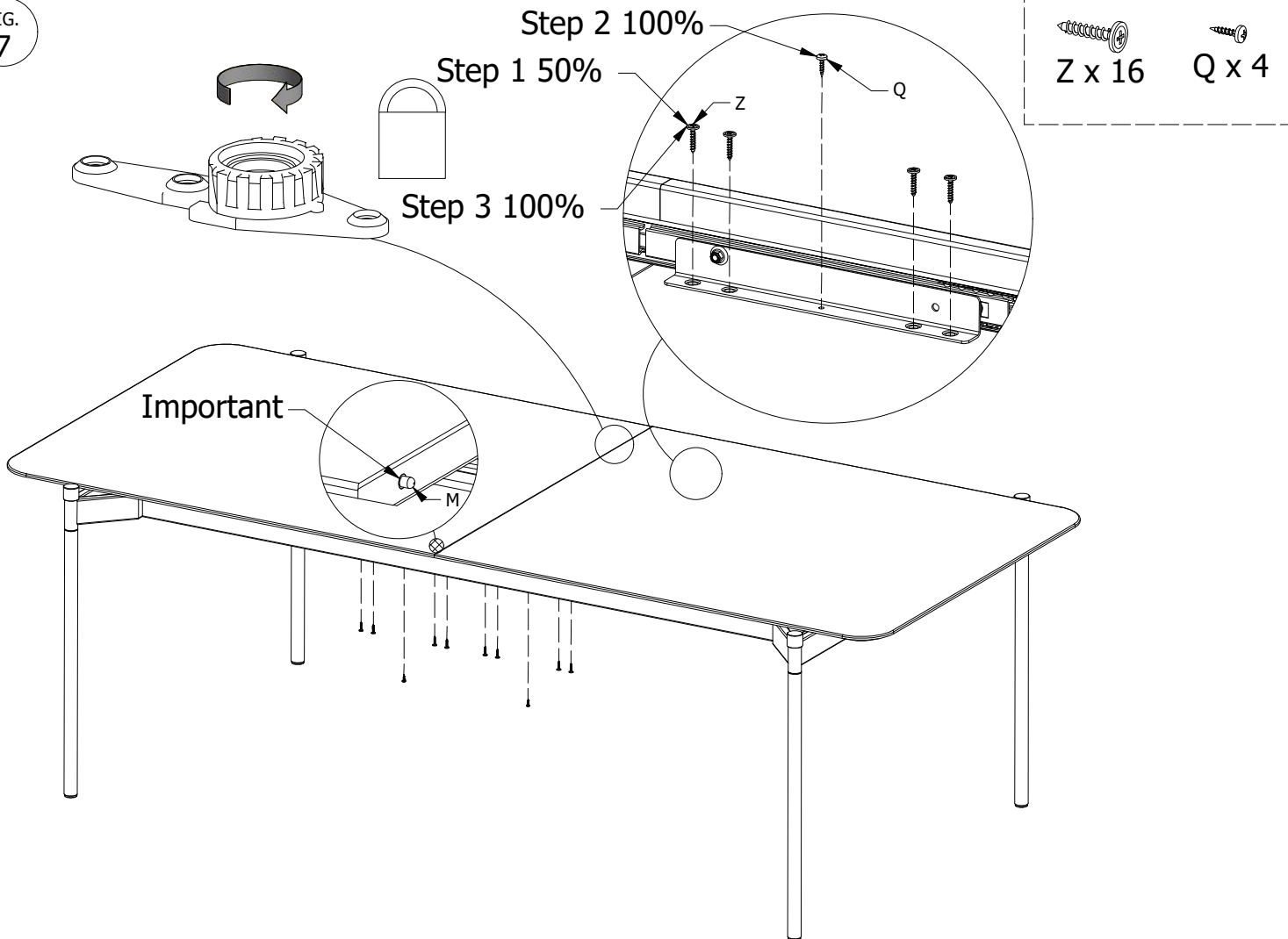


FIG.
8

Very important 50 %. (Loose)



Y x 8

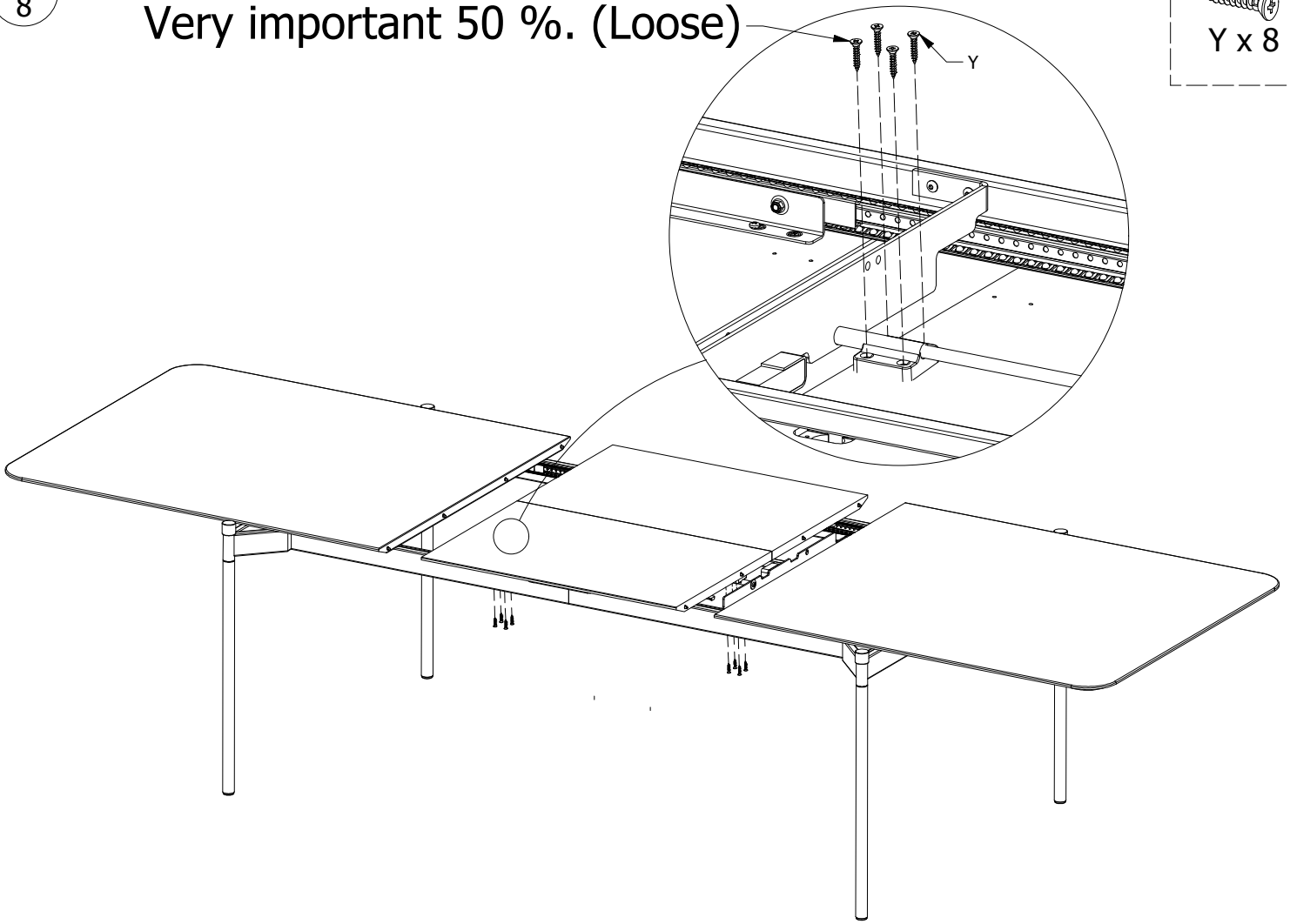


FIG.
9

Step 2 100 %

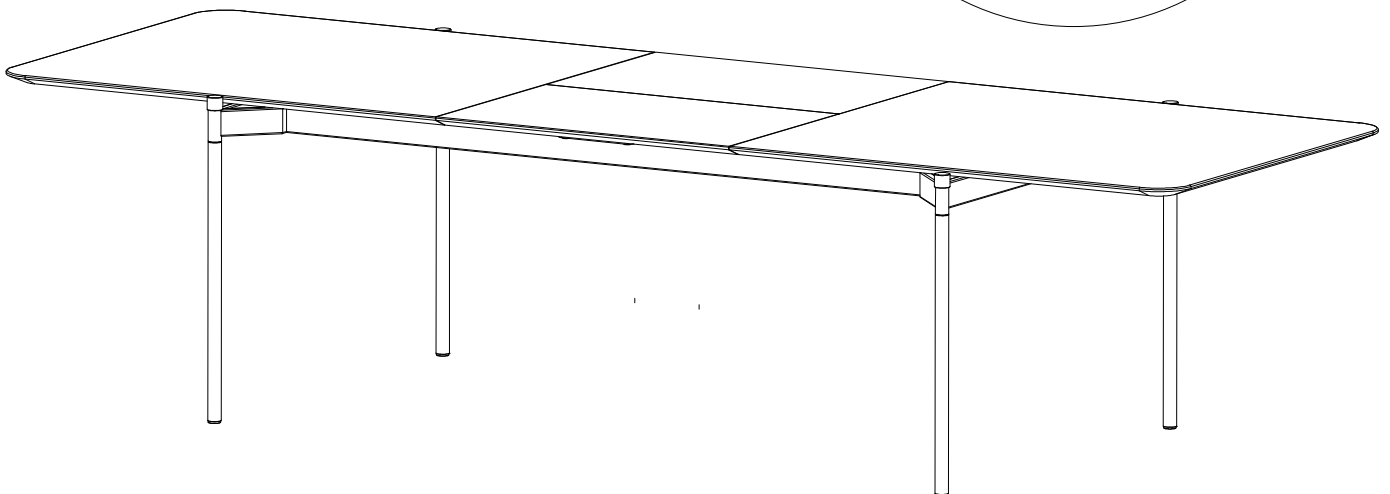
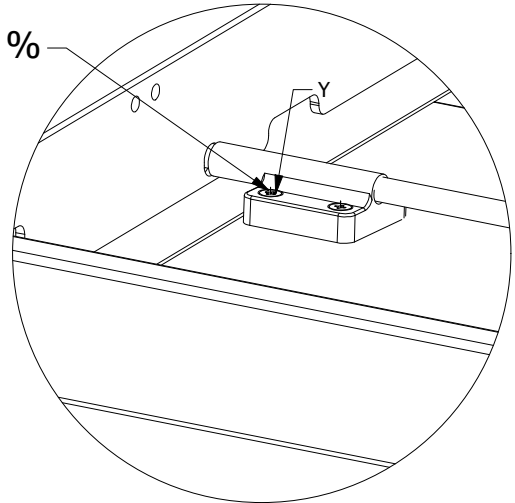
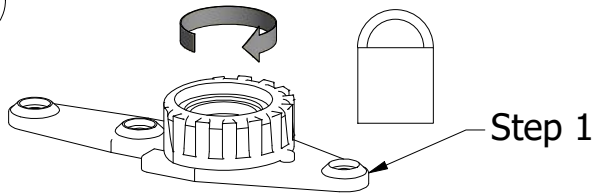


FIG. 10

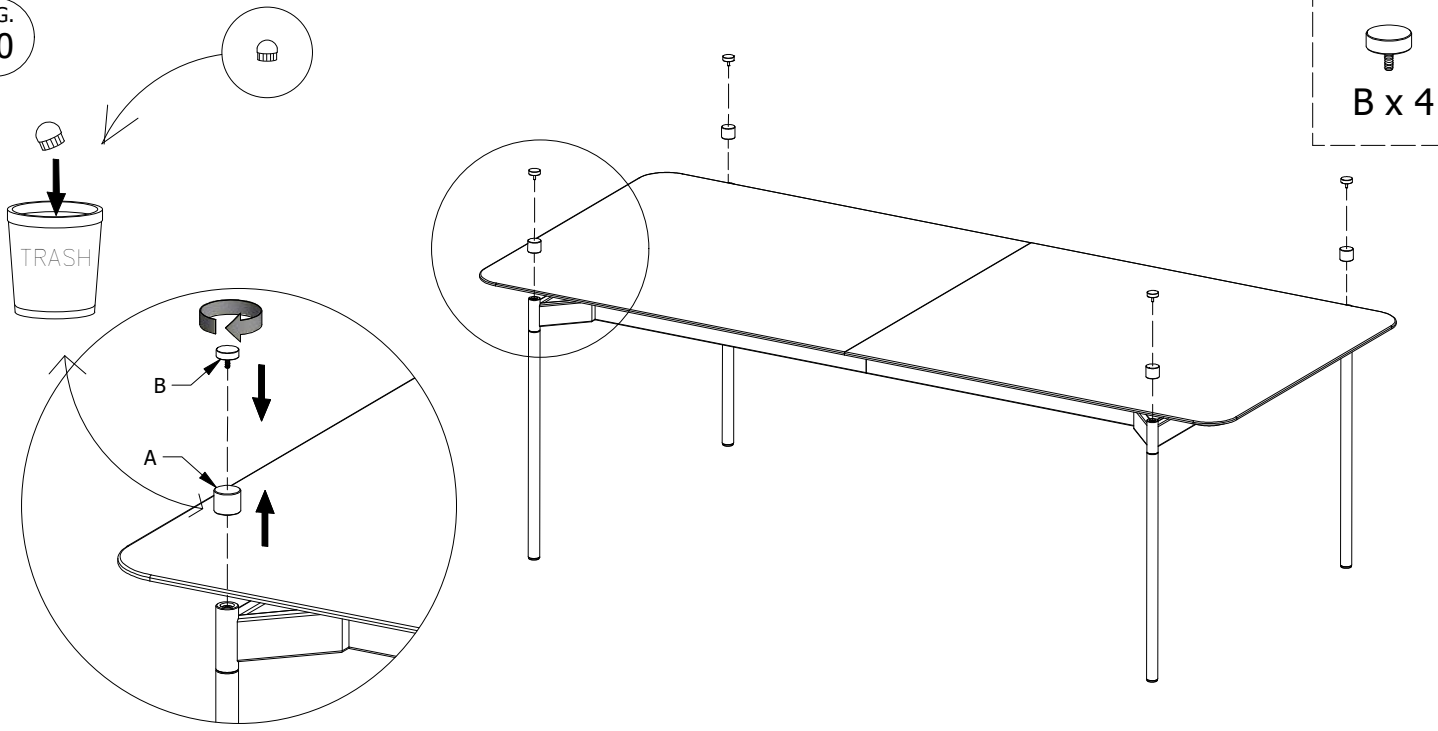
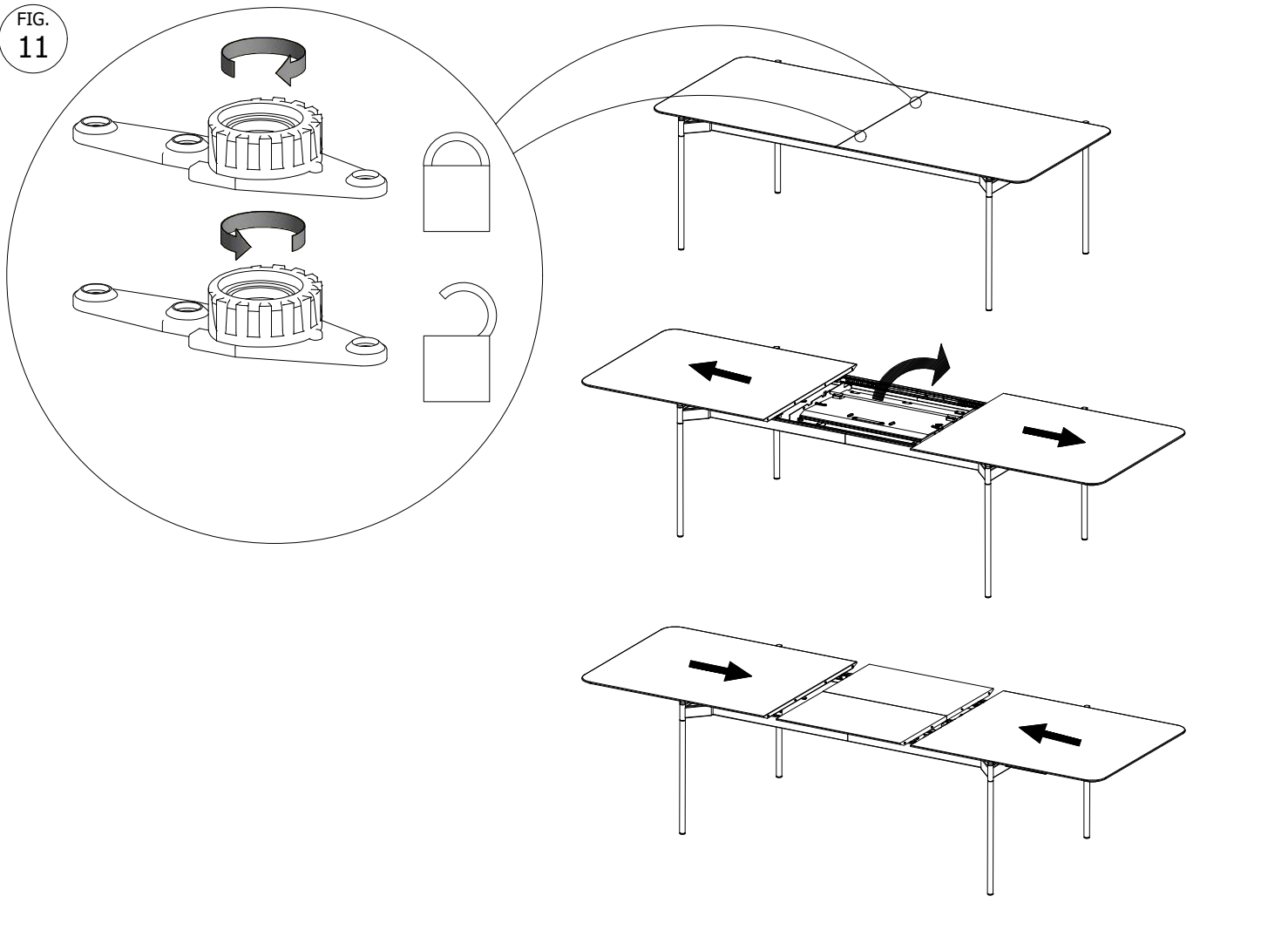


FIG. 11



DK Ved reklamation oplyses følgende:
 D Im Reklamationsfall, bitte folgendes erläutern:
 US In case of claims, please state the following:
 F En cas de réclamation, veuillez indiquer:
 NL Bij service volgene mededelen
 E En caso de reclamación, indicar lo siguiente:
 P No caso de reclamação, por favor indique o seguinte:
 JP お気づきの点等ございましたら、以下の点をお知らせください。

Example!

Korpus - Korpus - Carcase - Carcasse			Beslag - Fittings - Beschläge - Set de Montage		