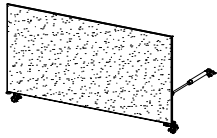


# Lugano

Design by BoConcept

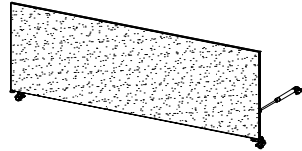
Samvejledning - Assembly Instructions - Montageanleitung - Instructions d'assemblage - Instrucciones de montaje



**8230**

004127

37,0x75,4x1,7 cm



**8240**

004126

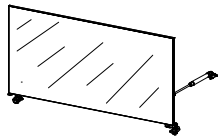
37,0x113,8x1,7 cm



**8250**

002886

37,0x152,2x1,7 cm



**8430**

004133

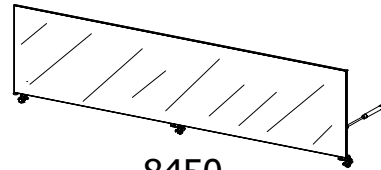
37,0x75,4x1,7 cm



**8440**

004131

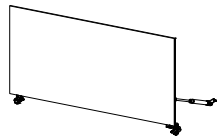
37,0x113,8x1,7 cm



**8450**

004129

Lugano 8450



**8830**

004004

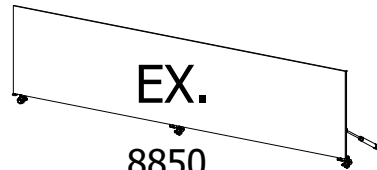
37,0x75,4x1,6 cm



**8840**

002984

37,0x113,8x1,6 cm

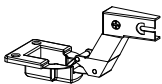


**EX.**

**8850**

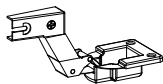
002946

37,0x152,2x1,7 cm



**A**

970001404



**B**

970001326



**C**

970001046



**D**

970001327



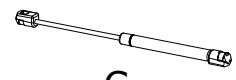
**E**

970001419  
ø6,2x13 mm



**F**

970001325



**G**

970001412



**H**

970001717  
3,0x15 mm



**J**

970001820



**K**

970001768  
M4x12 mm



**L**

970000940



**M**

970001460



**N**

970000760



**P**

970001095  
3,5x15 mm



**R**

970001810



**S**

970001819



**T**

970001481  
M4 x 9 mm



**U**

970001420  
4,0 x 15

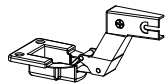
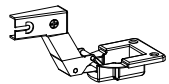
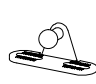





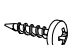
Table

| Model nr.           | Fittingbox   | 970001404 | 970001326 | 970001046 | 970001327 | 970001419 | 970001325 | 970001412 | 970001717 | 970001820 |
|---------------------|--------------|-----------|-----------|-----------|-----------|-----------|-----------|-----------|-----------|-----------|
| 8230-8240-8430-8440 | 380082320000 | 1         | 1         | 2         | 2         | 4         | 2         | 2         | 2         | 1         |
| 8250-8450           | 380082520000 | 1         | 2         | 2         | 2         | 4         | 3         | 2         | 2         | 1         |
| 8830-8840           | 380088320000 | 1         | 1         | 2         | 2         | 4         | 2         | 2         | 2         | 1         |
| 8850                | 380088520000 | 1         | 2         | 2         | 2         | 4         | 3         | 2         | 2         | 1         |

Table

| Model nr.           | Fittingbox   | 970001768 | 970000940 | 970001460 | 970000760 | 970001095 | 970001810 | 970001819 | 970001481 | 970001420 |
|---------------------|--------------|-----------|-----------|-----------|-----------|-----------|-----------|-----------|-----------|-----------|
| 8230-8240-8430-8440 | 380082320000 | 4         | 1         | 1         | 0         | 0         | 1         | 1         | 4         | 0         |
| 8250-8450           | 380082520000 | 6         | 1         | 1         | 0         | 0         | 1         | 1         | 4         | 0         |
| 8830-8840           | 380088320000 | 0         | 0         | 1         | 1         | 4         | 1         | 1         | 0         | 4         |
| 8850                | 380088520000 | 0         | 0         | 1         | 1         | 6         | 1         | 1         | 0         | 4         |

FIG. 1

-  **A x 1**
-  **B x 2**
-  **C x 2**
-  **K x 6**  
M4x12 mm
-  **L x 1**
-  **N x 1**
-  **P x 6**  
3,5x15 mm
-  **T x 4**  
M4 x 9 mm
-  **U x 4**  
4,0 x 15

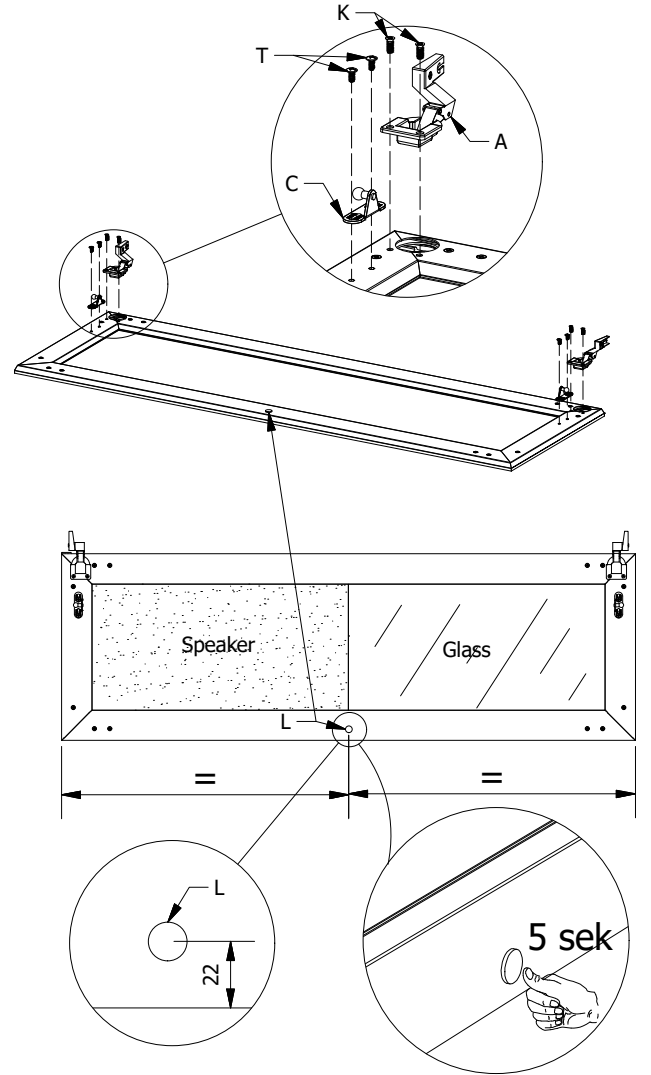
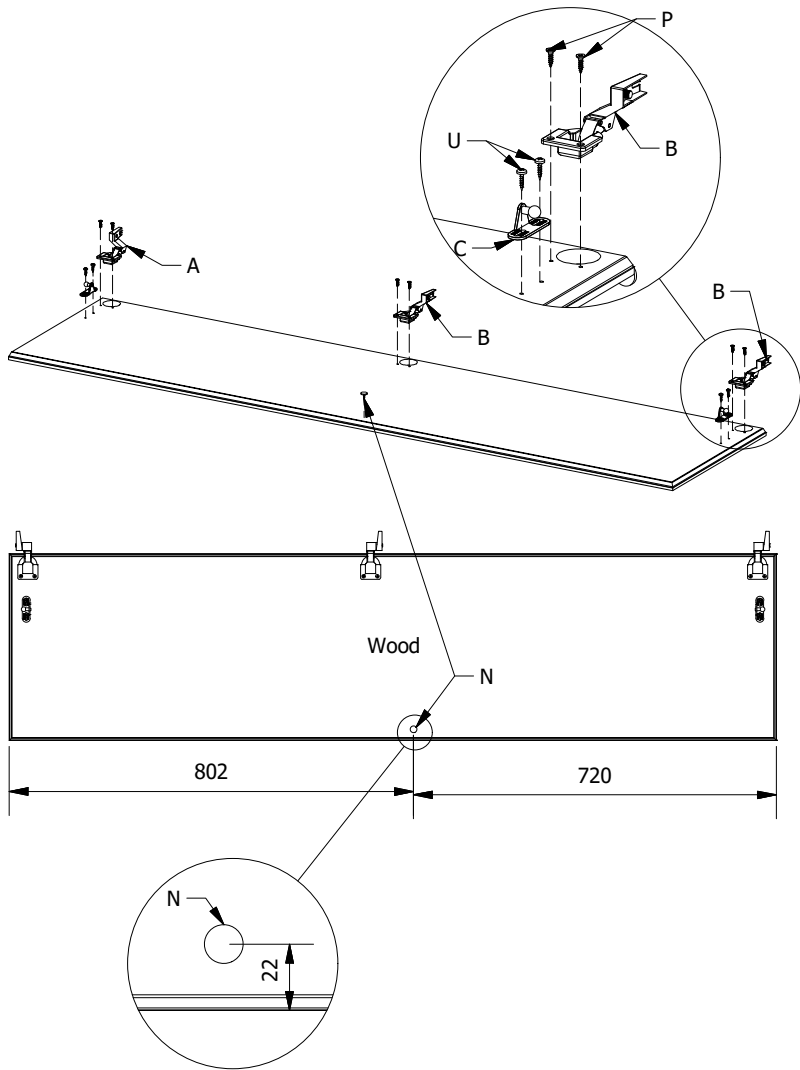
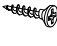




FIG. 2

-  **H x 2**
-  **J x 1**
-  **R x 1**
-  **S x 1**

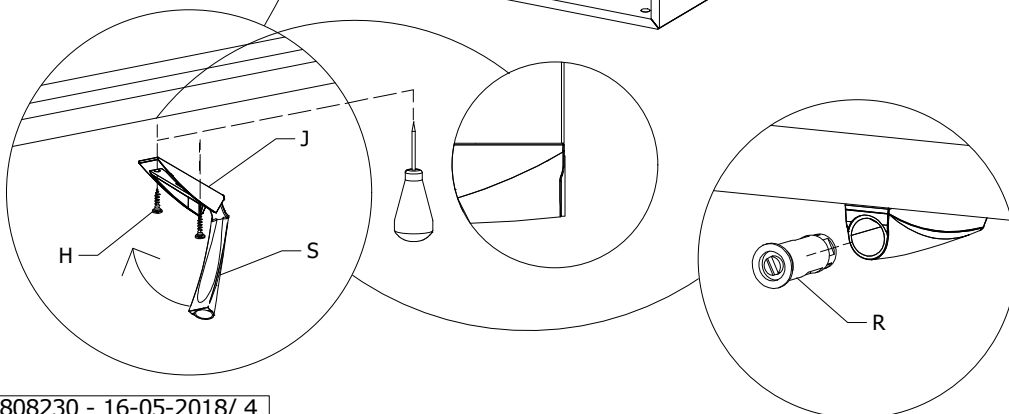
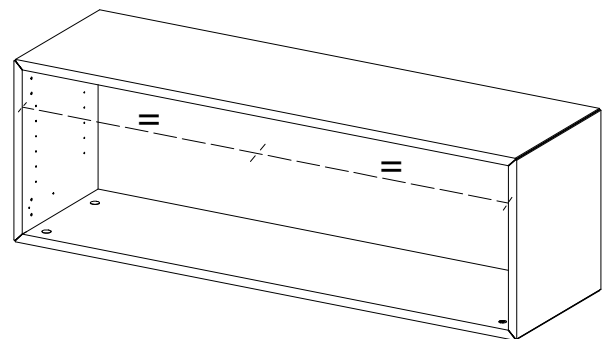
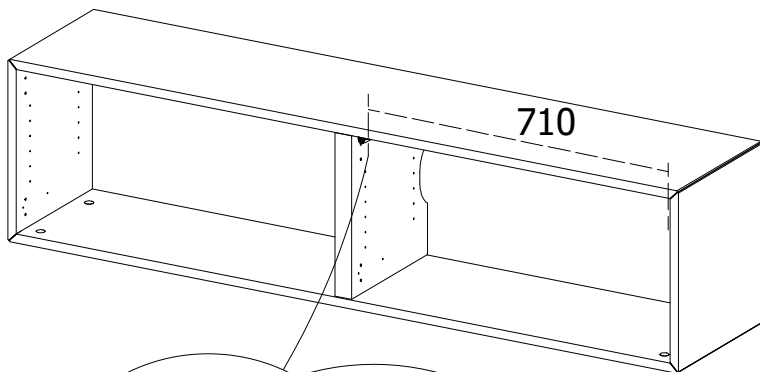


FIG. 3

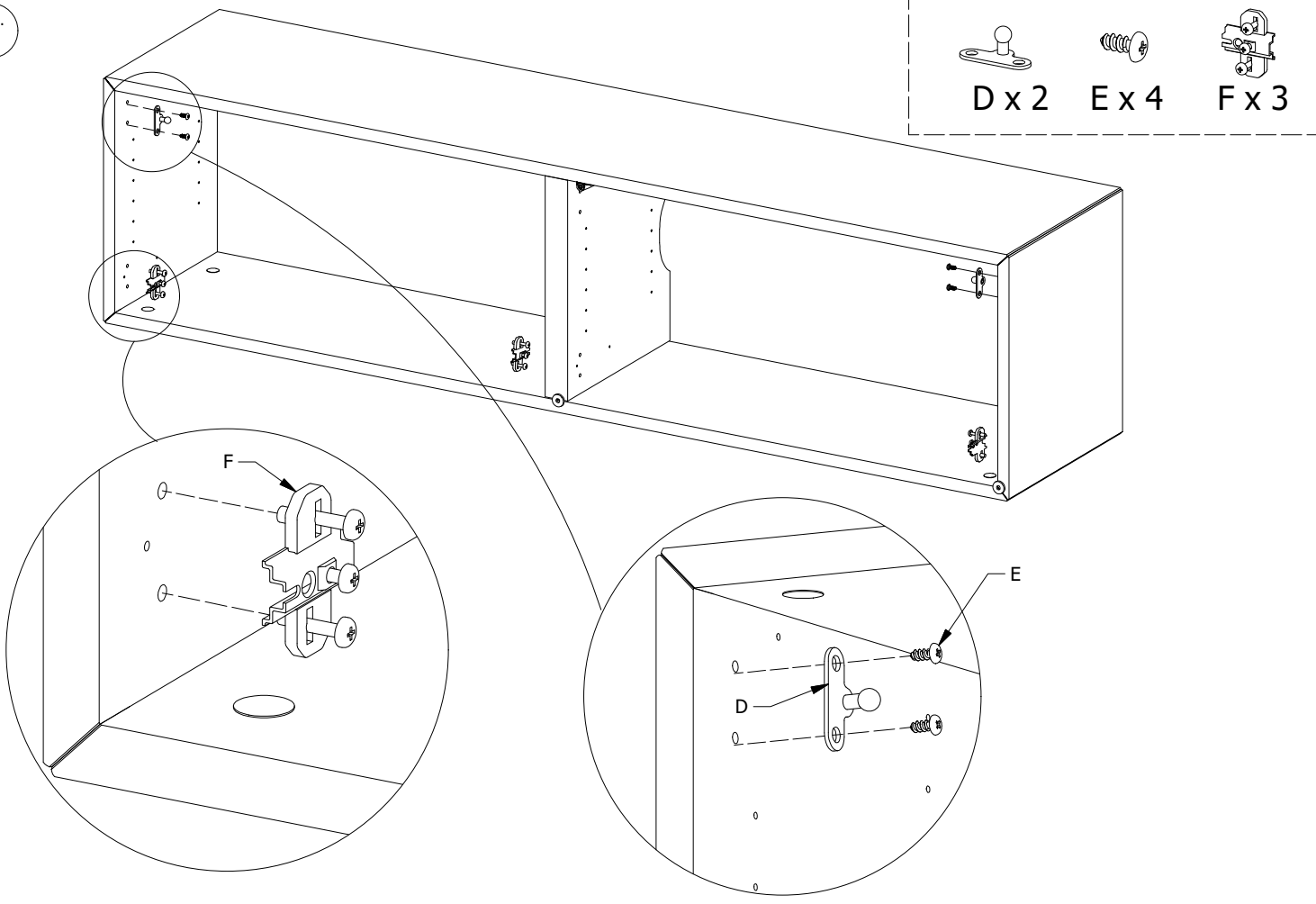


FIG. 4

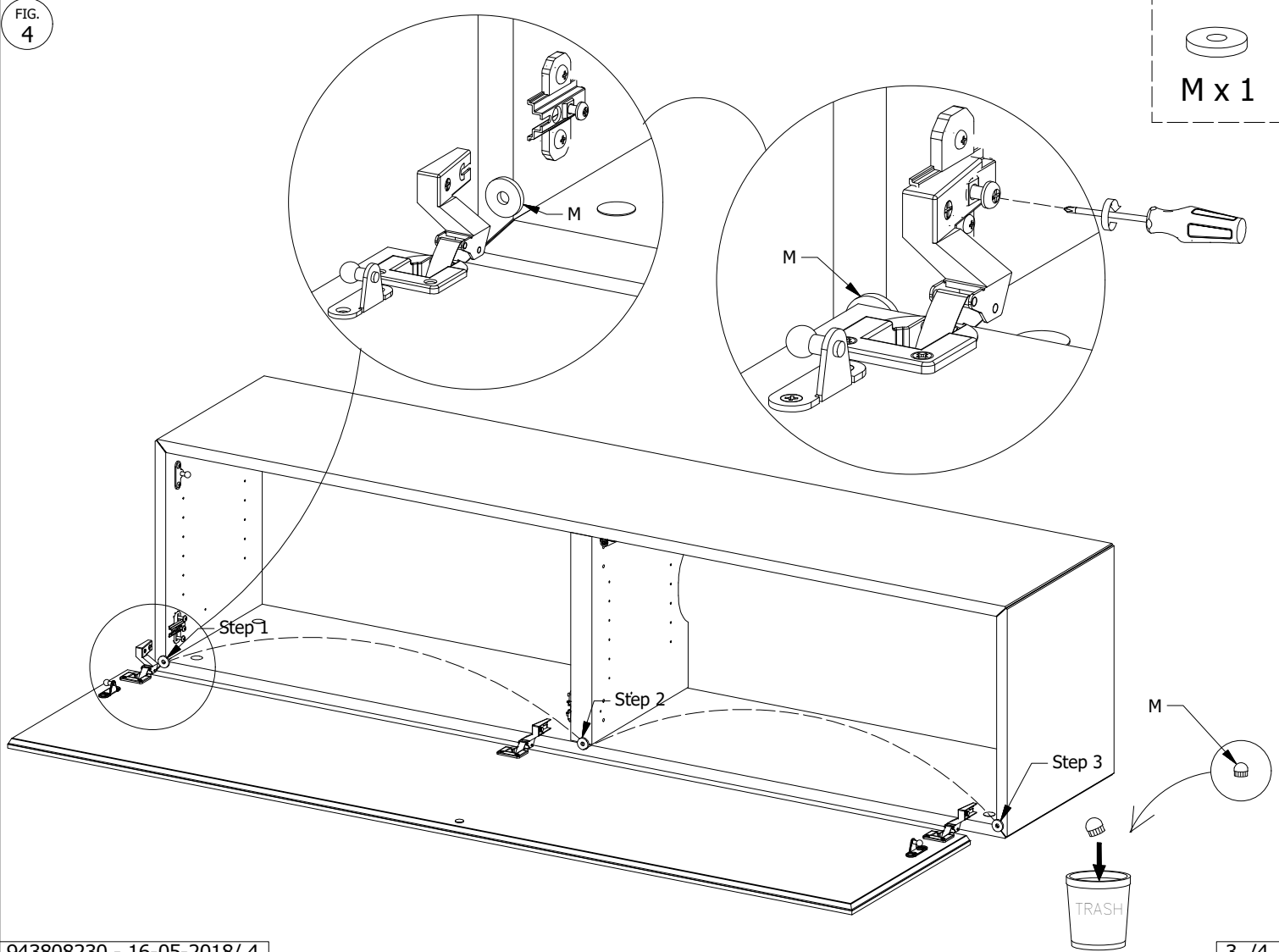


FIG. 5

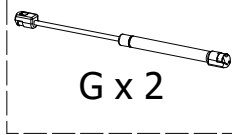
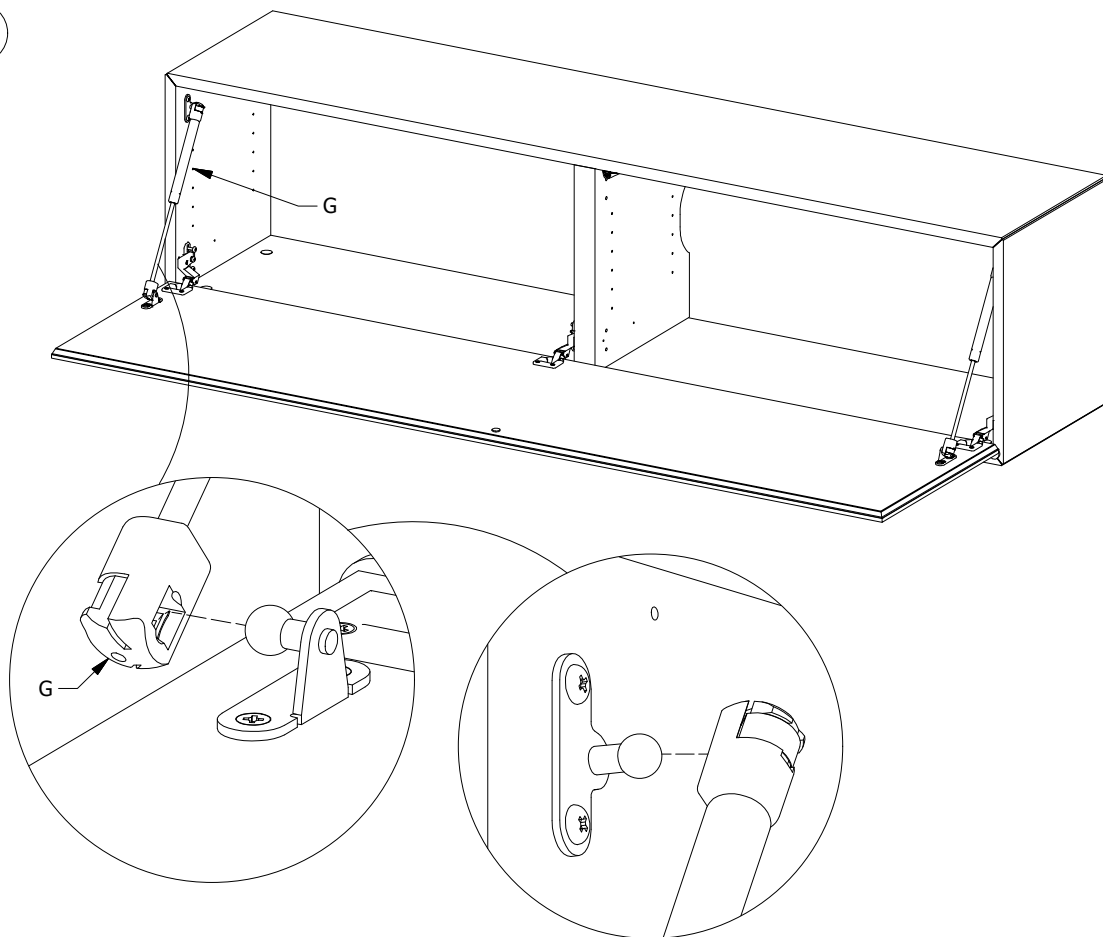
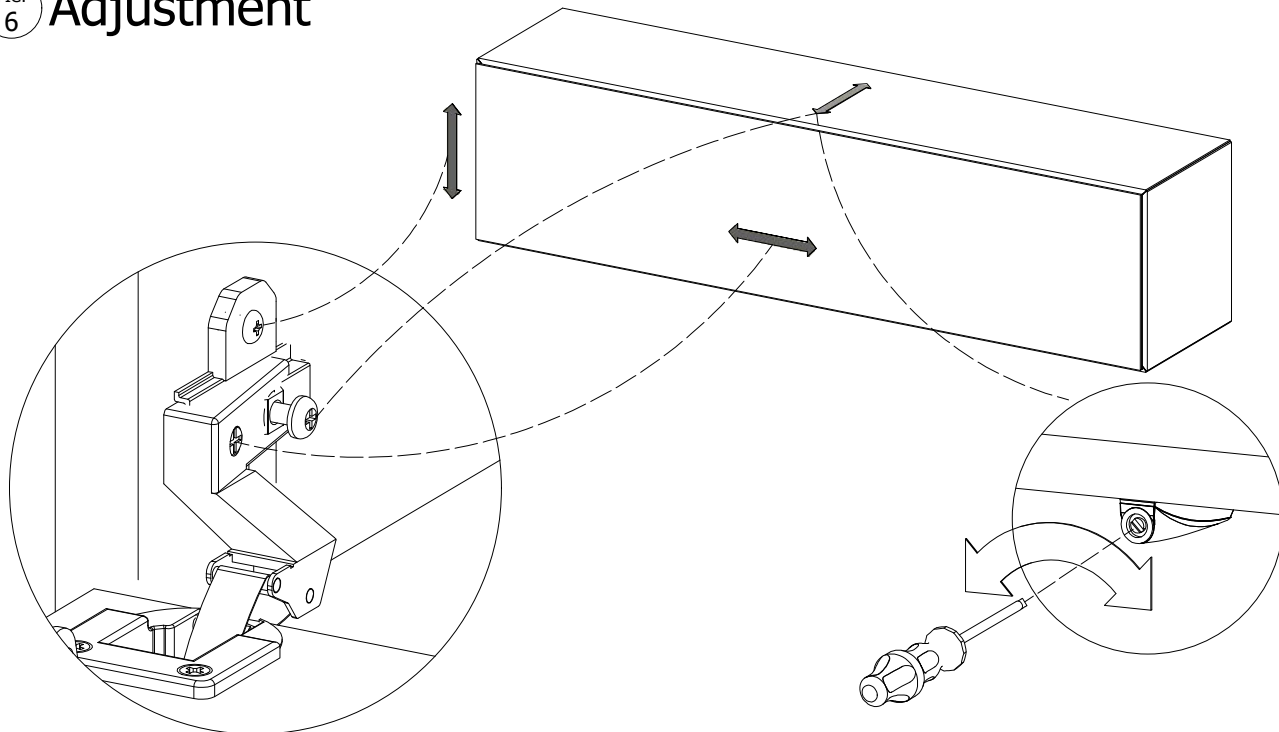


FIG. 6 Adjustment



- DK Ved reklamation oplyses følgende:
- D Im Reklamationsfall, bitte folgendes erläutern:
- US In case of claims, please state the following:
- F En cas de réclamation, veuillez indiquer:
- NL Bij service volgene mededelen
- E En caso de reclamación, indicar lo siguiente:
- P No caso de reclamação, por favor indique o seguinte:
- JP お気づきの点等ございましたら、以下の点をお知らせください。

Example!

|                                      |  |  |  |  |  |
|--------------------------------------|--|--|--|--|--|
| Korpus - Korpus - Carcase - Carcasse |  |  | Beslag - Fittings - Beschläge - Set de Montage |  |  |
|                                      |  |  |  |  |  |
|                                      |  |  |  |  |  |