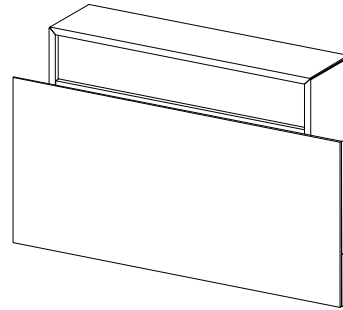
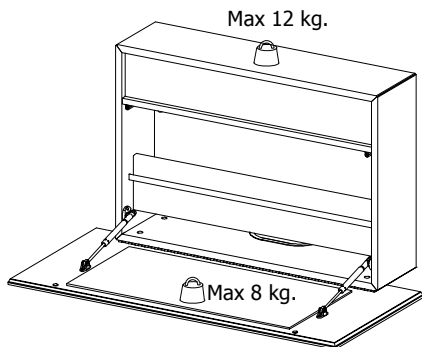


Cupertino

Design by BoConcept

Samvejledning - Assembly Instructions - Montageanleitung - Instructions d'assemblage - Instrucciones de montaje

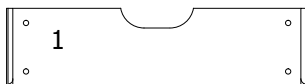


370-5650

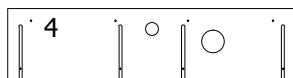
63,0x100,0x63,1/22,0 cm Max 20 kg.

Korpus - Korpus - Carcase - Carcasse

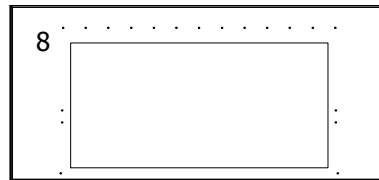
Værktøj - Werkzeuge - Tools - Outils



004464



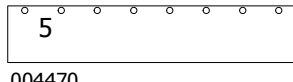
004468



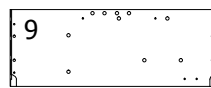
004473



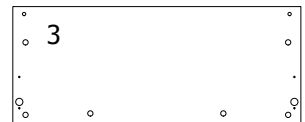
004465



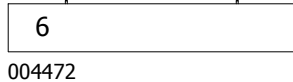
004470



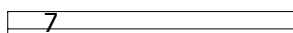
004466



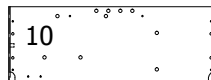
004469



004472



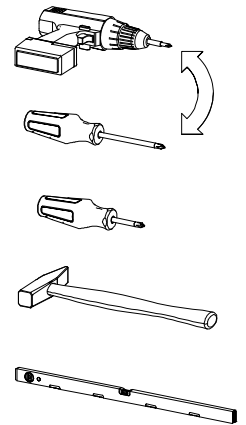
004476



004467

11

970001466



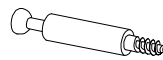
Beslag - Beschläge - Fittings - Set de montage



A x 16
1979110830
Dowel Ø8x30



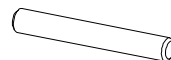
B x 8
979900041
Dowel Ø6x30



C x 14
1972000009
Fitting bolt Ø3x11



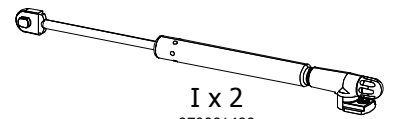
D x 14
970001452
Fitting house Ø15



F x 8
970001465
Dowel Ø16x117



G x 2
970000708
Mounting plate



I x 2
970001499
Flap stay



J x 30
1978003015
Screw flh 3x15



L x 4
970001097
Screw ph 4,0x15



M x 4
970001078
Screw ma M4x10 mm



N x 4
1972290002
Euro screw 4,2x13,5



P x 4
970000808
Expansion bush M4



Q x 8
970000823
Shelf support



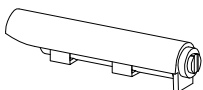
R x 2
970001362
Bush M6



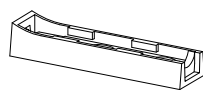
H x 2
970001469
Fitting for Flap stay



E x 2
970001515
Cap for flap stay holder



S x 2
970001516
Adapter magnet lock



T x 2
970000777
Adapter house Magnet lock



U x 2
970000760
Stop for magnet



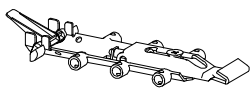
V x 2
970001470 White
970001471 Espresso
Cap Ø25mm



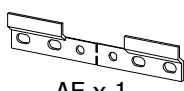
AA x 8
970001383 White
970001384 Espresso
Cap Ø18



AC x 2
1979000000
Buffer Ø7x1,5



AD x 2
970001393
Wall hang fitting



AE x 1
970001394
Mounting bracket



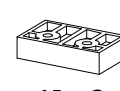
AF x 4
1979100000
Rawplug 8x40



AG x 4
970001392
Screw ph 4,5x55 mm



AH x 2
970001319
Feet



AI x 2
970001408
Distance piece for boxes



AK x 1
80028740008
Decoration piece assemble

FIG. 1

- A x 16
- B x 8
- C x 14
- D x 14
- F x 8
- R x 2
- T x 2
- J x 4

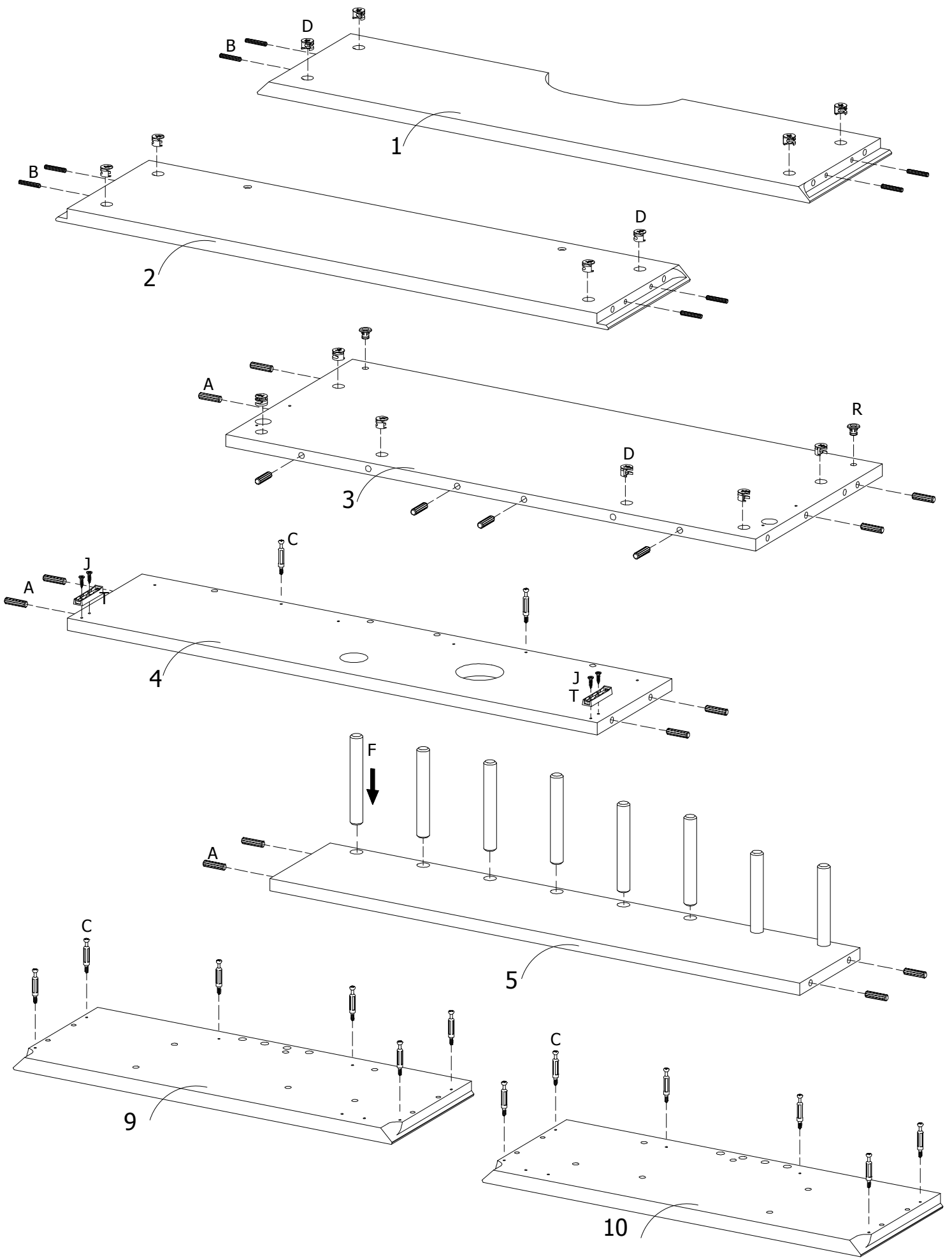


FIG. 2

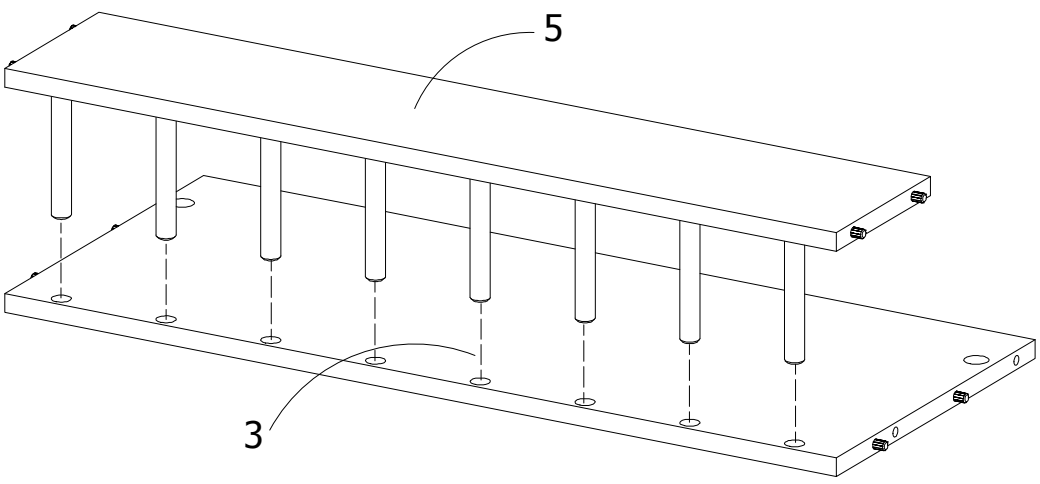


FIG. 3

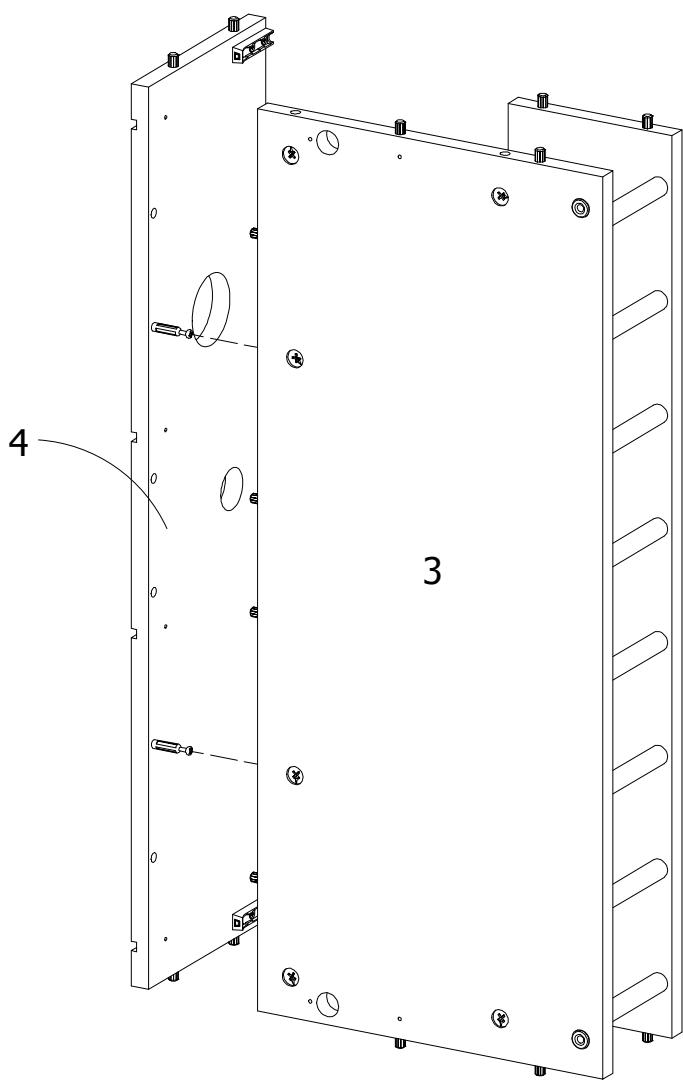


FIG. 4

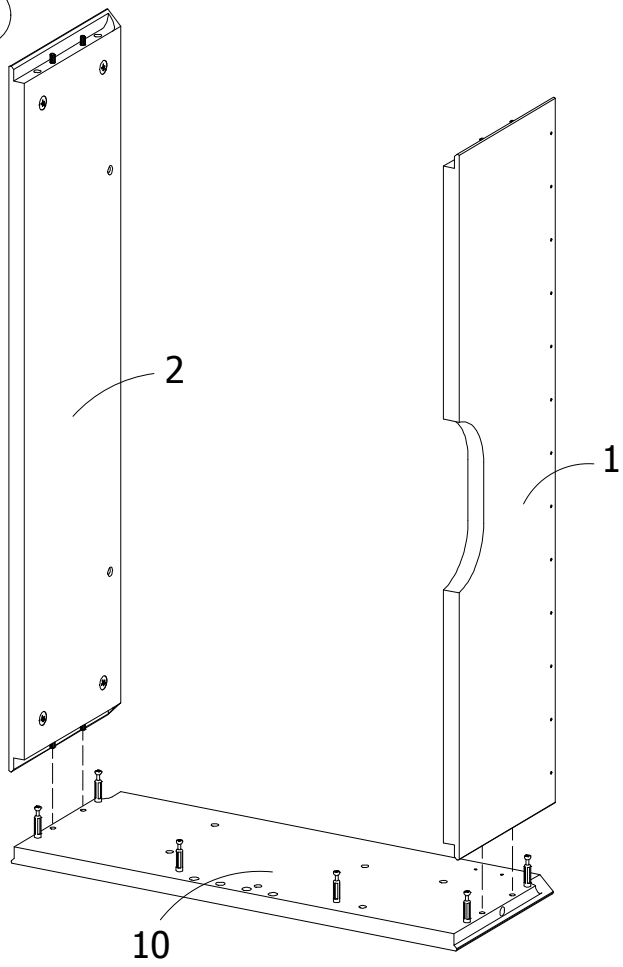


FIG. 5

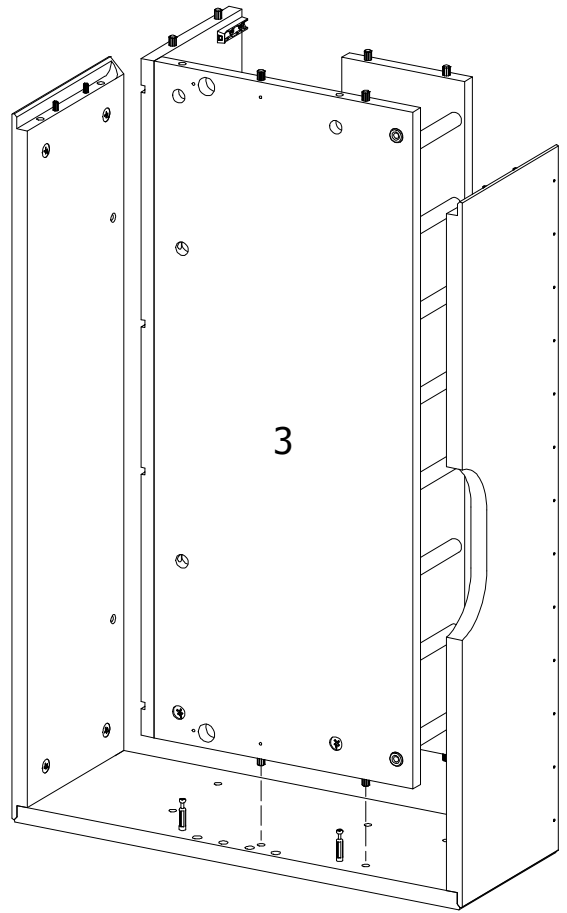


FIG. 6

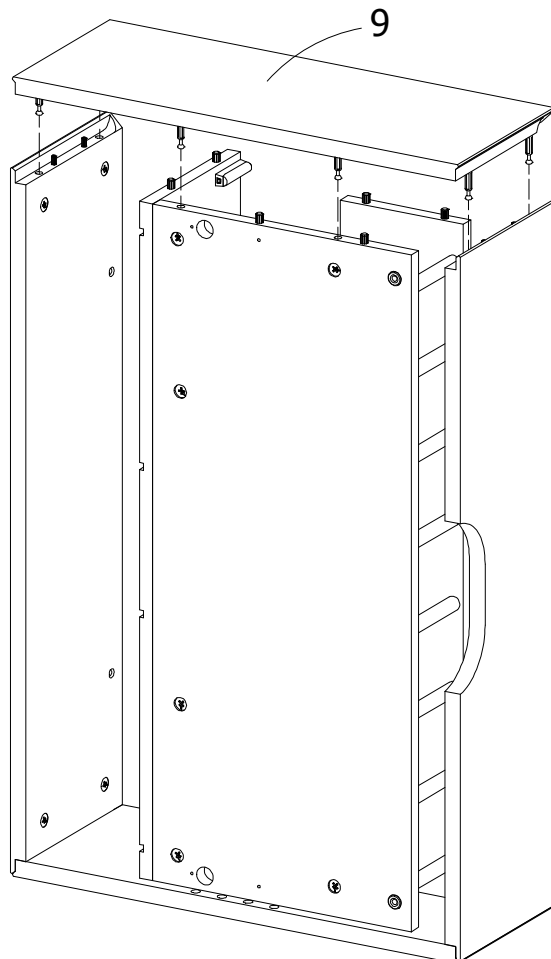


FIG. 7

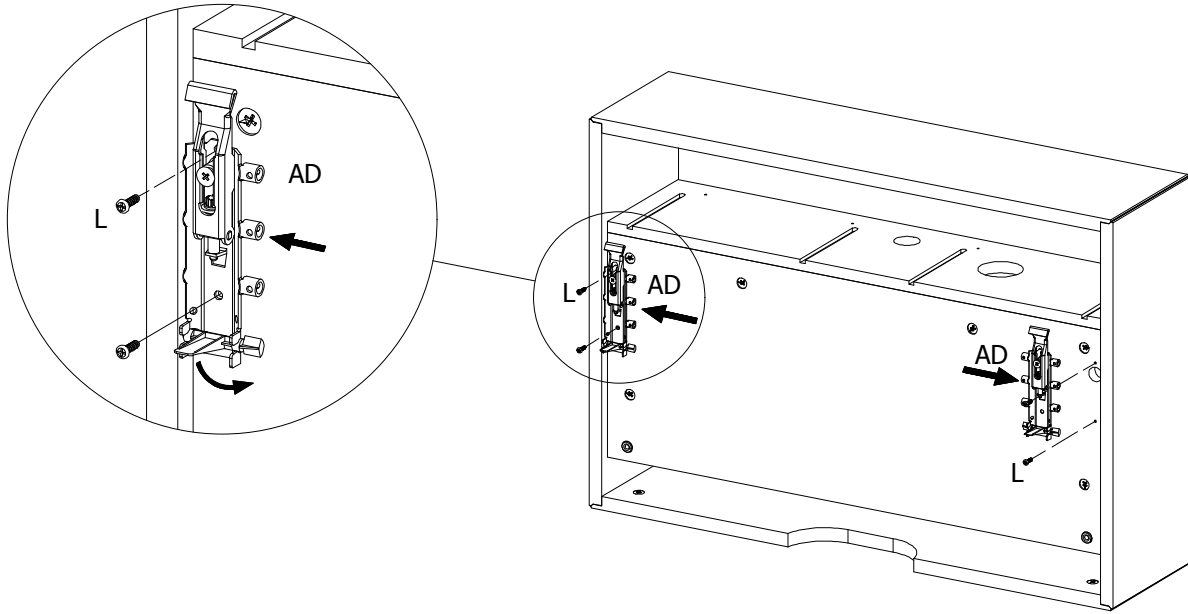
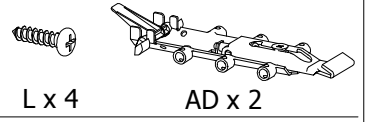


FIG. 8

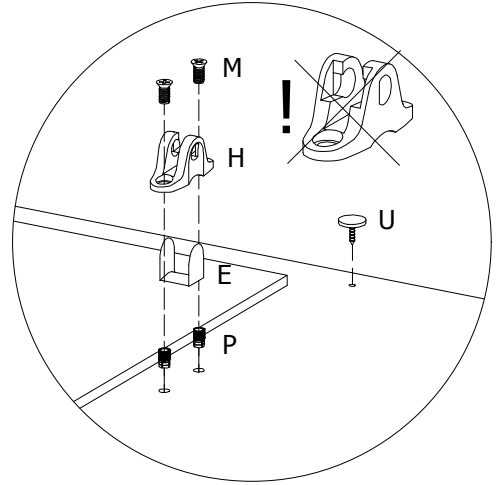
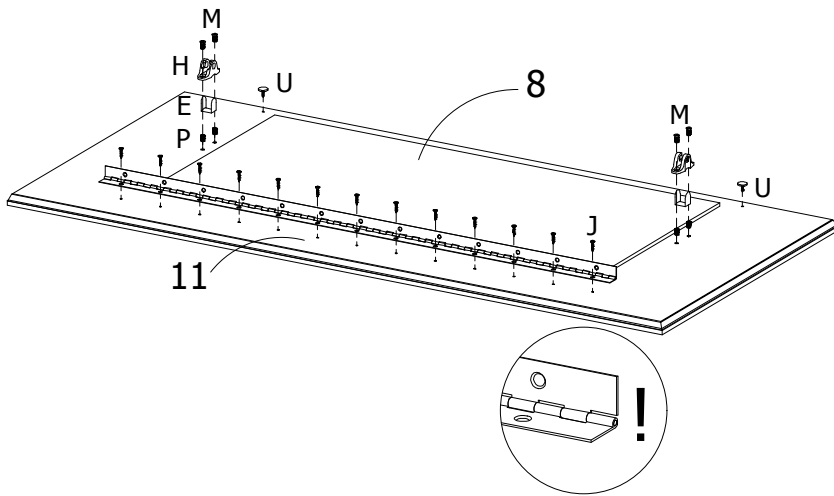
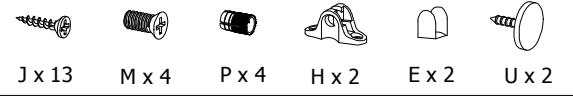


FIG. 9

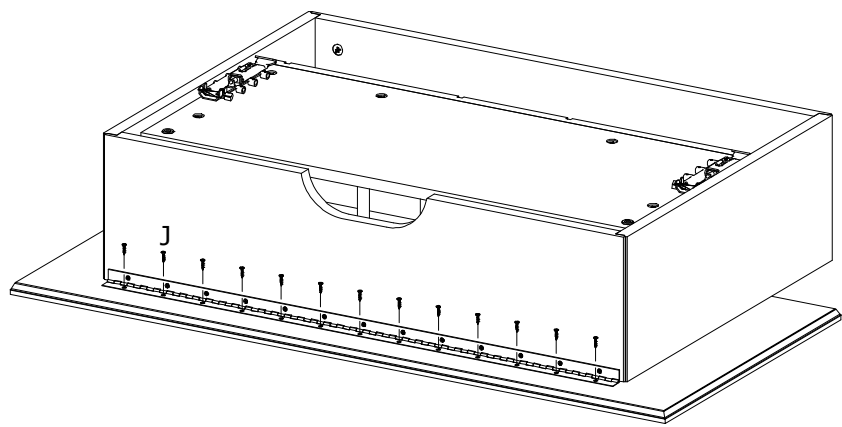


FIG. 11

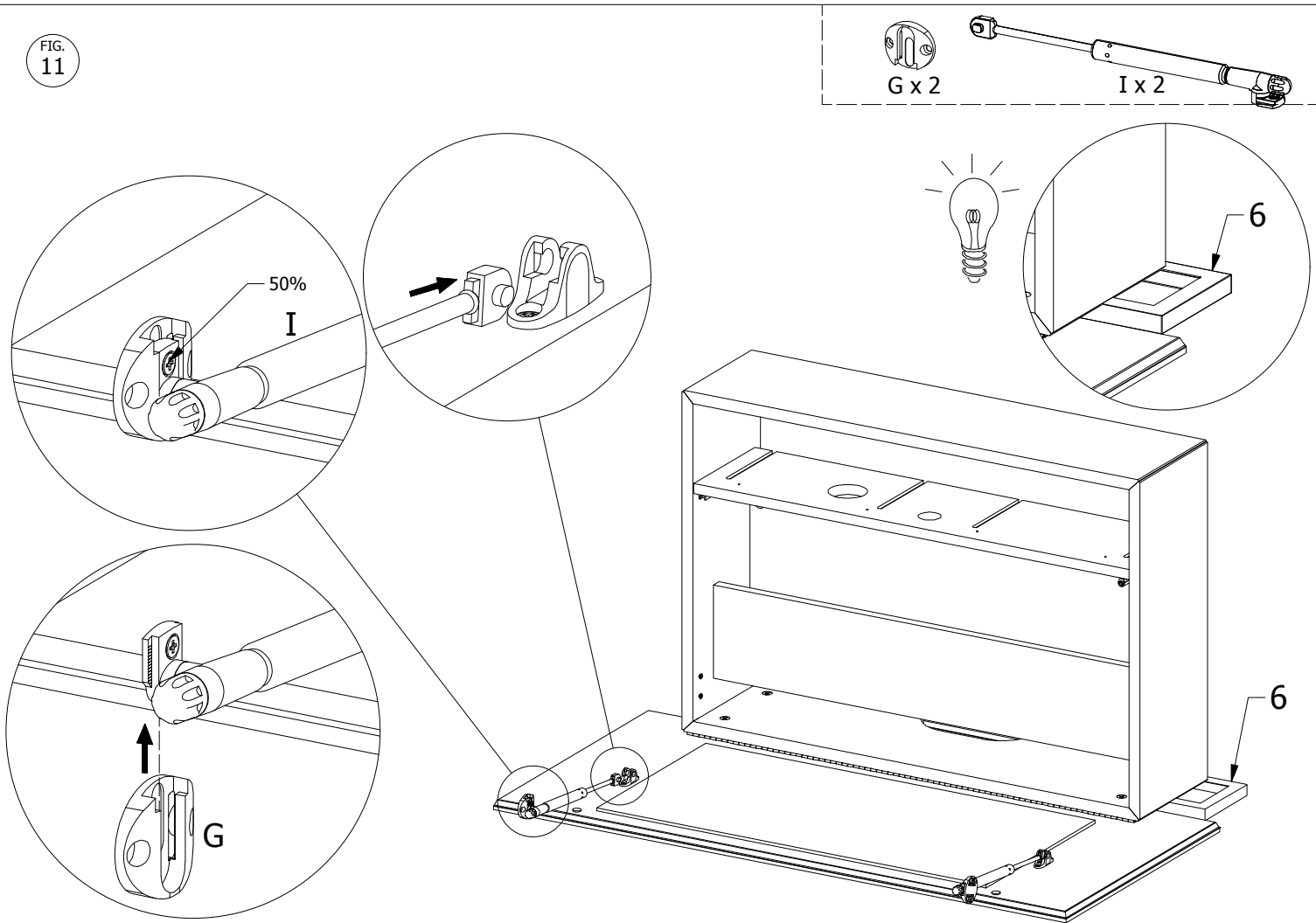
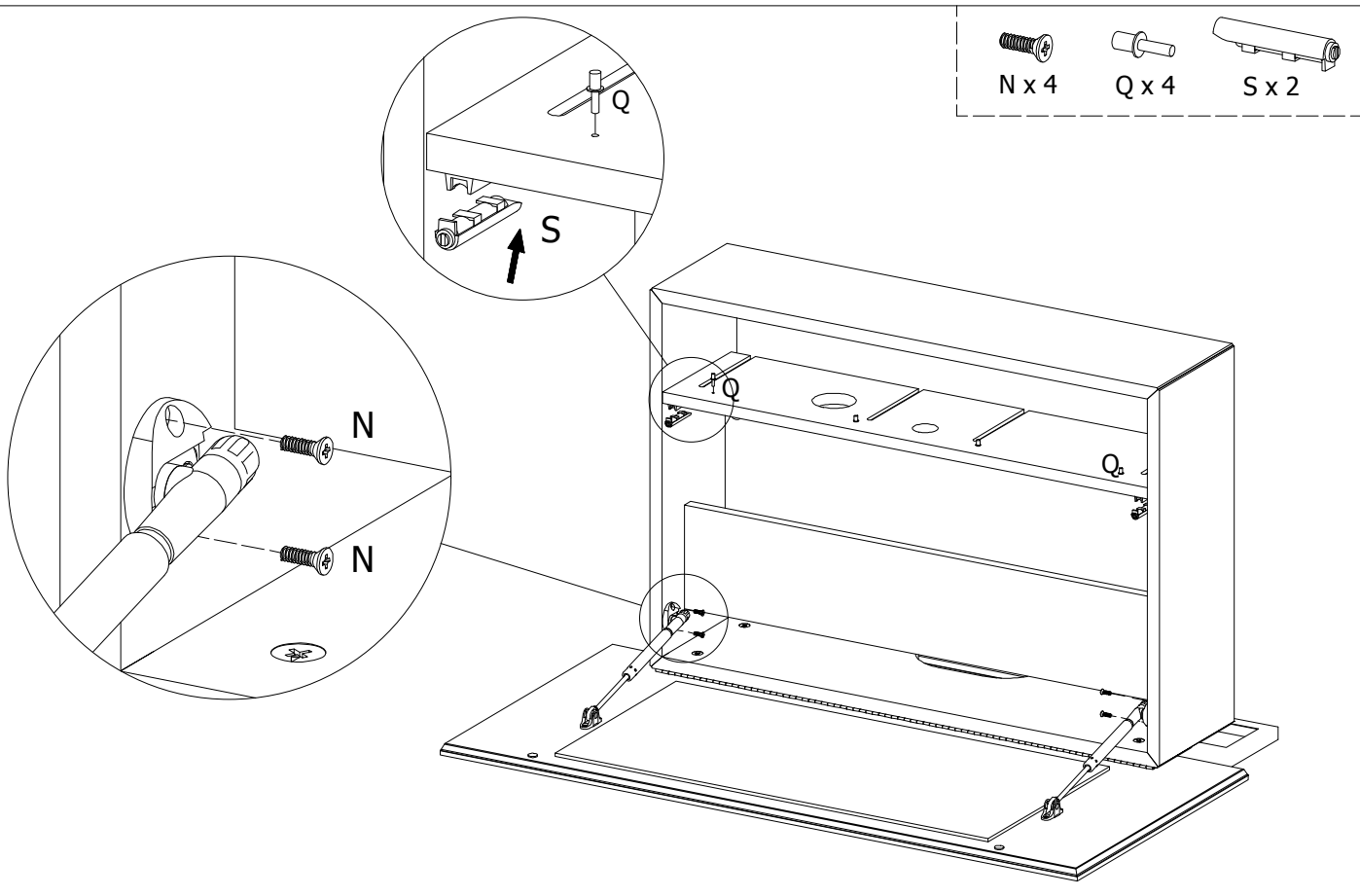
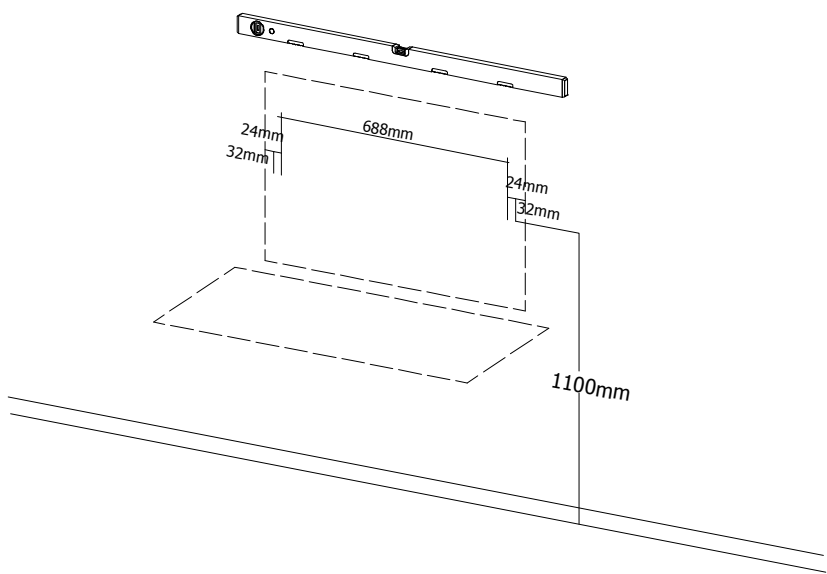
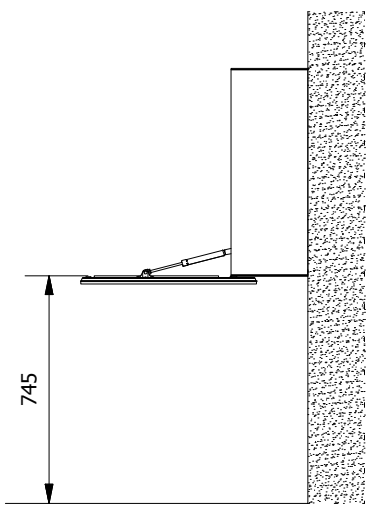
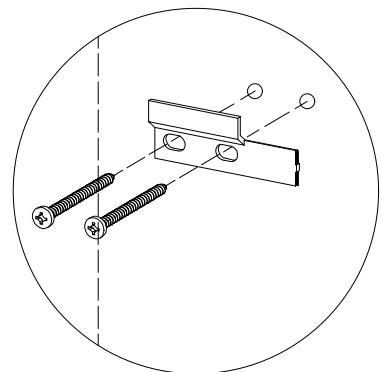
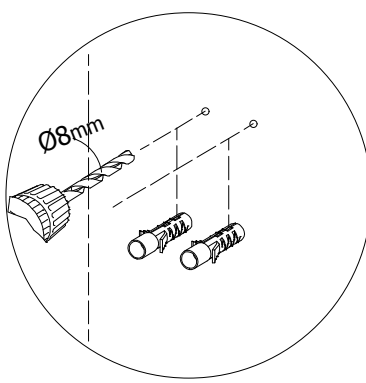
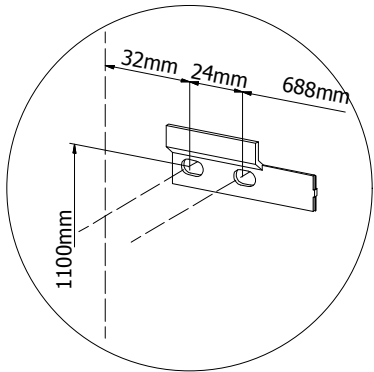
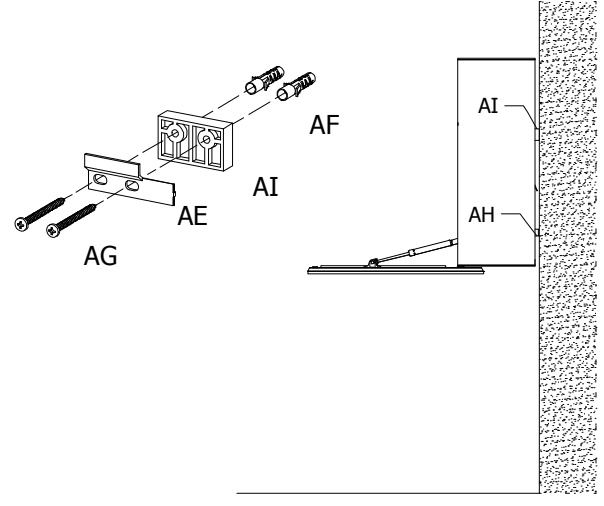
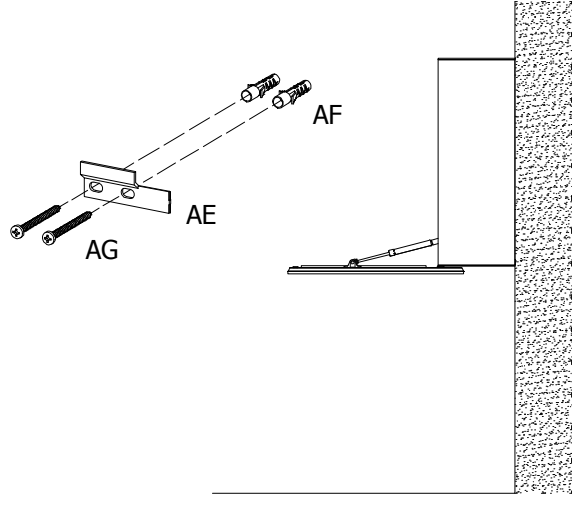
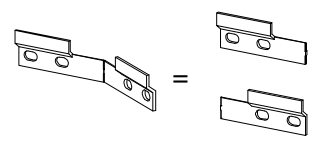


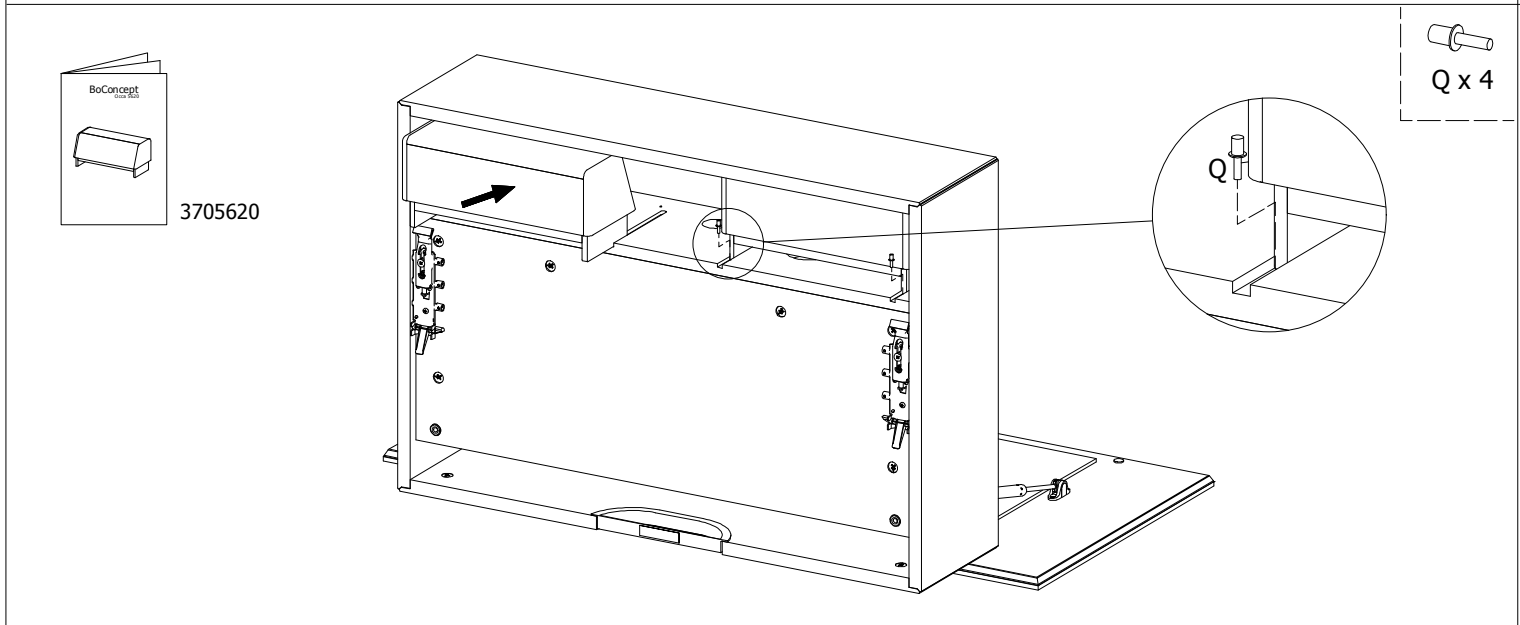
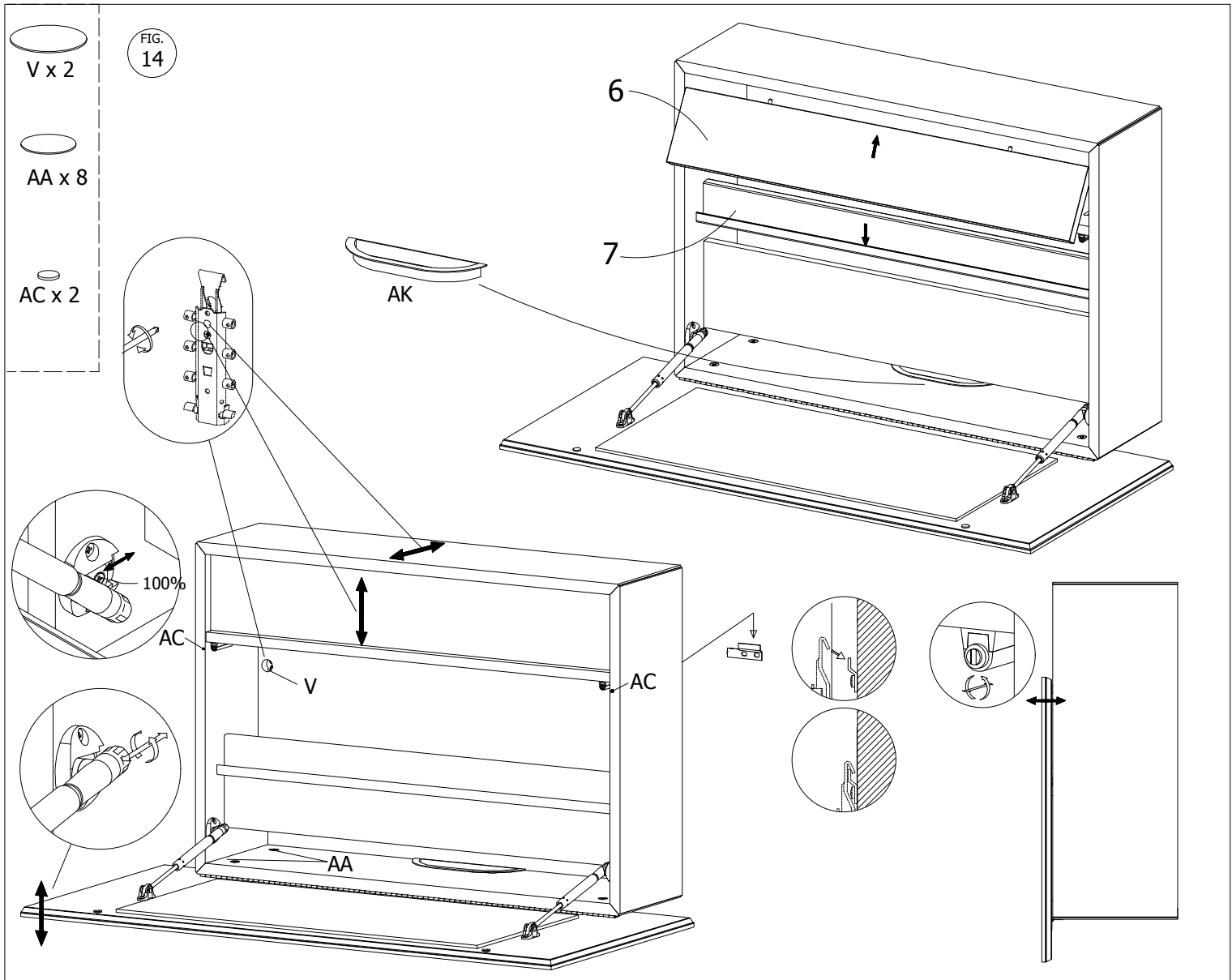
FIG. 12



Attention!

- DK: Vægforhold kan bevirke, at det ikke er tilrådeligt at benytte de medfølgende skruer/rawplugs.
- US: The condition of the wall may mean that it is inadvisable to use the enclosed screws and rawlplugs.
- D: Die Wandbeschaffenheit kann ggf. dazu führen, dass eine Verwendung der beigefügten Schrauben/Dübel nicht.
- E: Las condiciones de la pared pueden dar lugar a que no sea recomendable utilizar los tornillos/tacos adjuntos.
- F: Veuillez noter que les vis ou les chevilles jointes ne conviennent pas à tous les types de mur.
- NL: Er zijn muren waarin het niet valt aan te bevelen om de bijgevoegde schroeven/Rawlplugs te gebruiken.
- P: As condições da parede podem fazer com que seja recomendável utilizar os parafusos/buchas de fundo incluídos.





DK Ved reklamation oplyses følgende:

D Im Reklamationsfall, bitte folgendes erläutern:

US In case of claims, please state the following:

F En cas de réclamation, veuillez indiquer:

NL Bij service volgense mededelen

E En caso de reclamación, indicar lo siguiente:

P No caso de reclamação, por favor indique o seguinte:

JP お気づきの点等ございましたら、以下の点をお知らせください。

Example!

