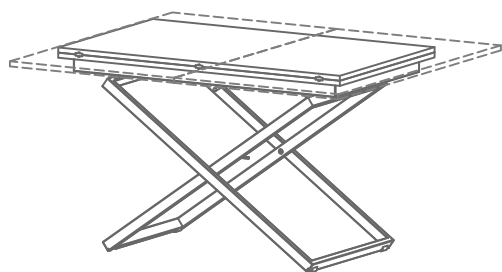


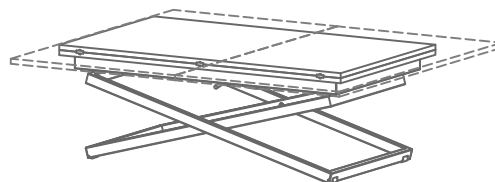
# Rubi

Design by Bo Concept

Samvejledning - Assembly Instructions - Montageanleitung - Instructions d'assemblage - Instrucciones de montaje



76,4x120x70/140 cm



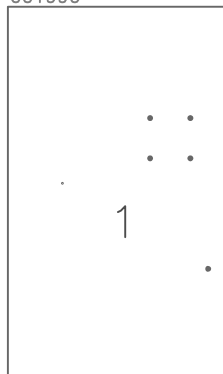
40x120x70/140 cm

## 3200

max. 40 kg

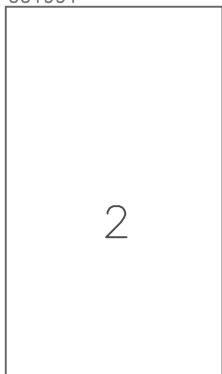
col. 3201

001990



1

001991



2

Beslag - Beschläge - Fittings - Set de montage  
Fittingbox nr: 930000662



A X 3  
970001066  
Ø35x8mm



B X 18  
1978003516  
3,5x15mm



D X 4  
970001113  
M6xØ10,5x13mm



E X 1  
970000807  
6mm



F X 1  
970001118  
D19 d6,3x16mm

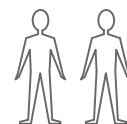


G X 1  
970001677  
4,5x30mm

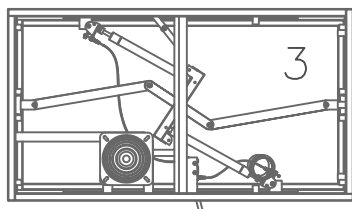


P X 4  
970001784  
M6x12mm

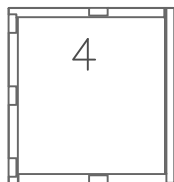
Værktøj -  
Werkzeuge -  
Tools - Outils



col. 3202



3



4

Fittingbag nr: 937000070



H X 4  
979900479  
M8x25mm



J X 1  
970003123  
6mm



K X 2  
970003120  
D13/d6,2x1,5mm



L X 2  
970003121  
D9/d6,2x1,2mm



M X 2  
979900228  
M6x12mm



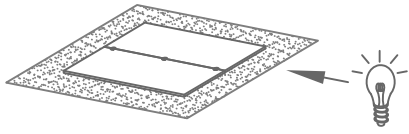
N X 1  
970001692  
4mm



Q X 1  
970001691  
3mm

FIG. 1

# Attention!



A X 3  
Ø35x8mm



B X 18  
3,5x15mm

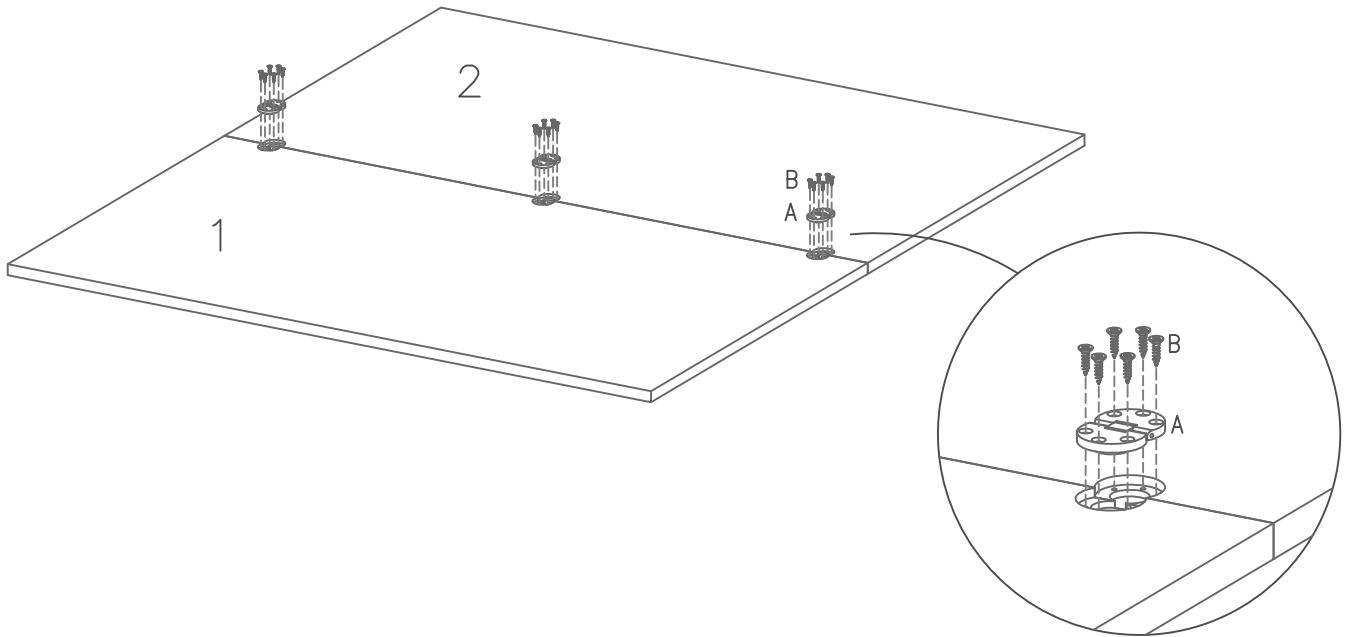
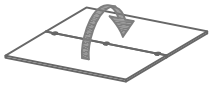


FIG. 2



D X 4  
M6xØ10,5x13mm



E X 1  
6mm



F X 1  
D19 d6,3x16mm



G X 1  
4,5x30mm

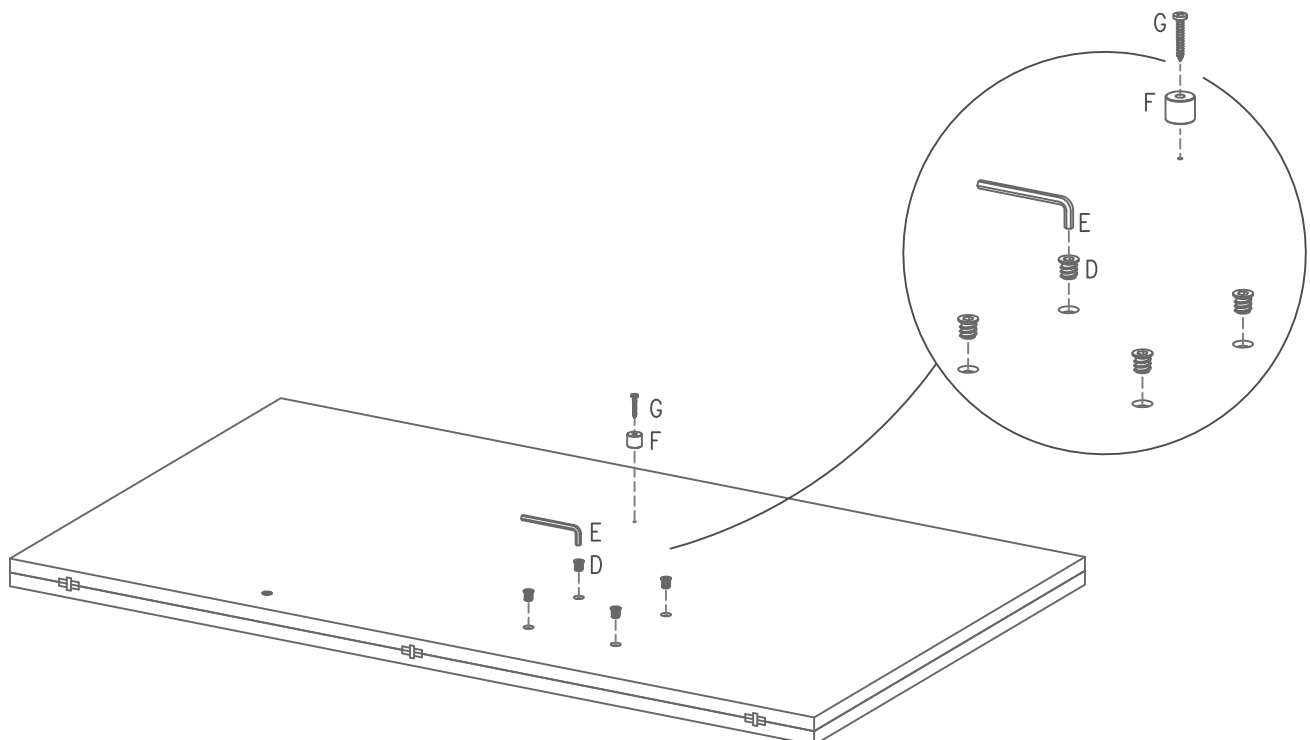
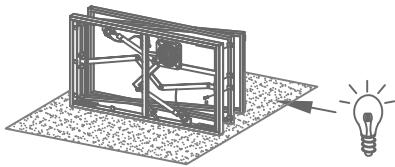
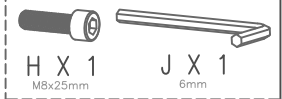


FIG. 3



Attention!



Attention!

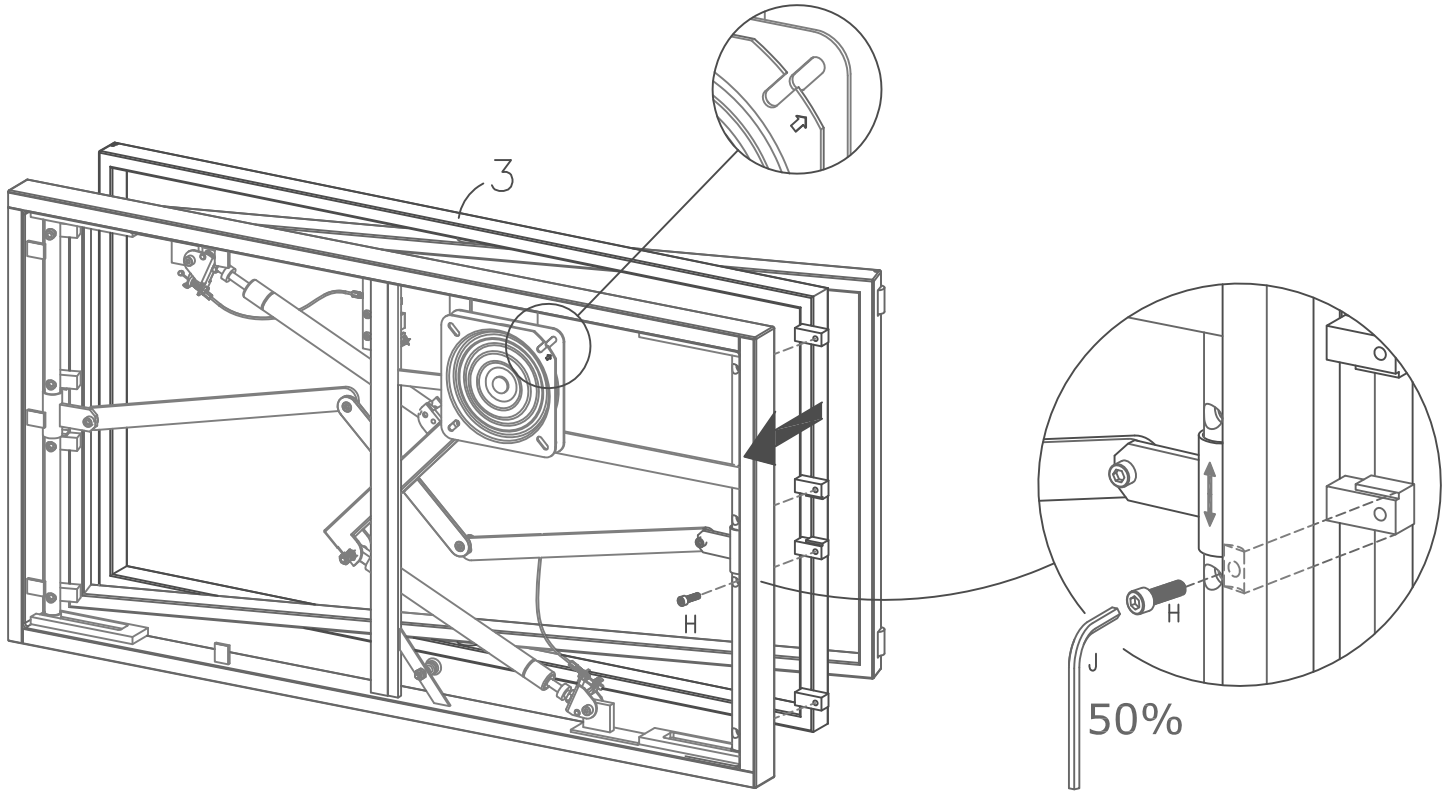
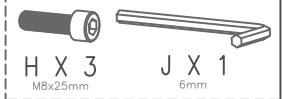


FIG. 4



Step 1

Step 2

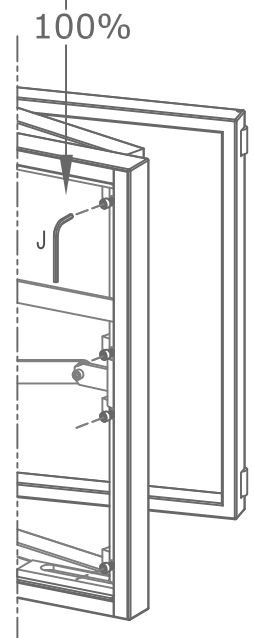
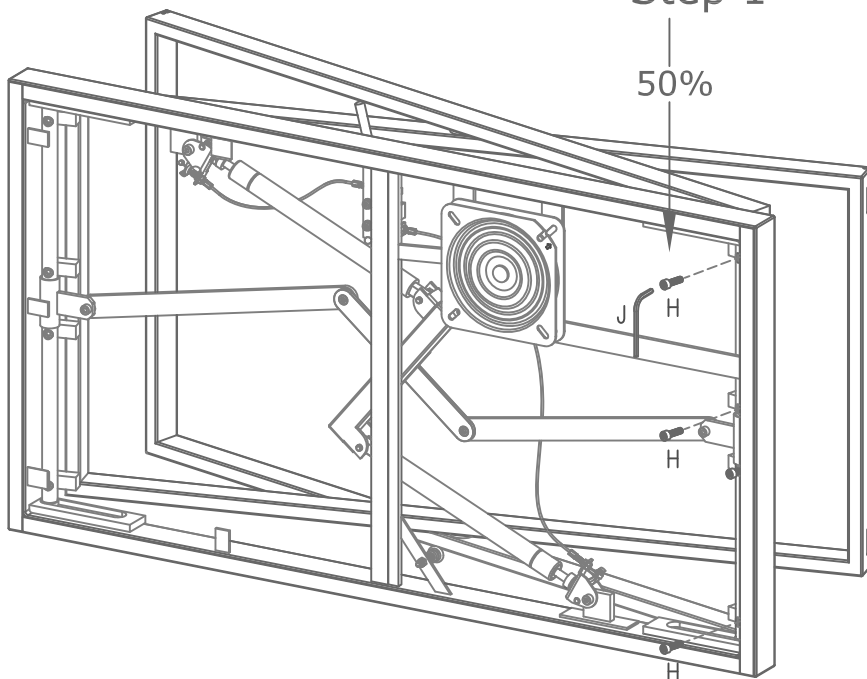


FIG. 5

**WARNING**

-   
**K X 2**  
D13/d6,2x1,5mm
-   
**L X 2**  
D9/d6,2x1,2mm
-   
**M X 2**  
M6x12m
-   
**N X 1**  
4mm

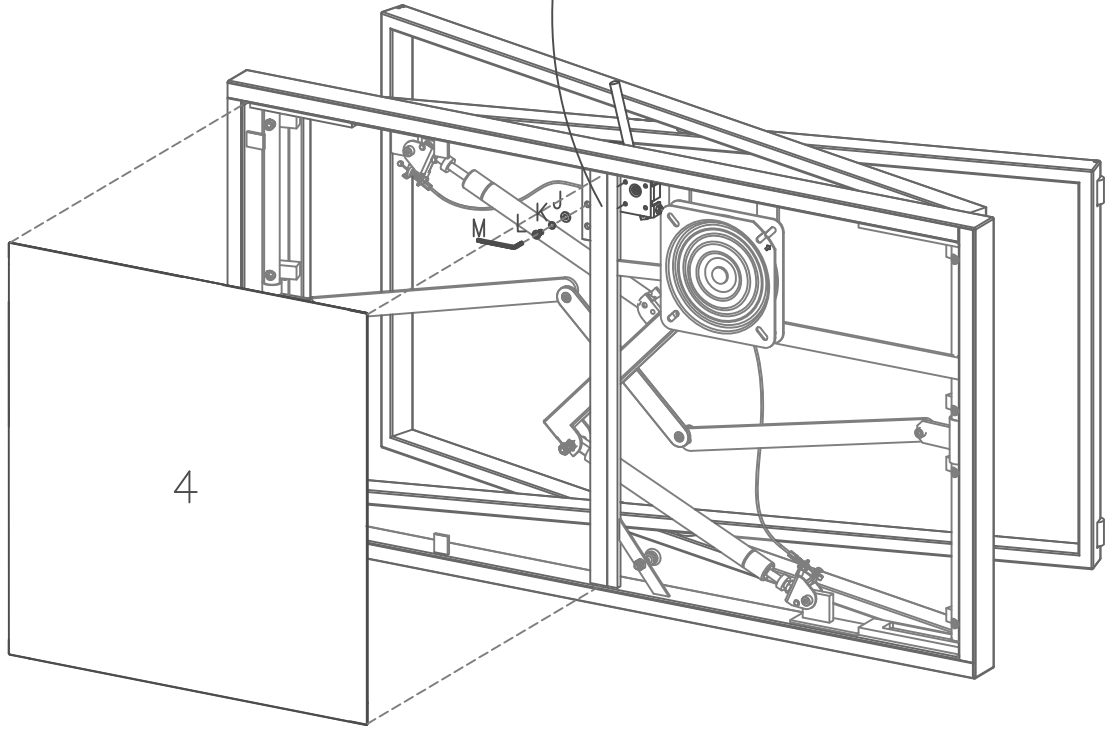
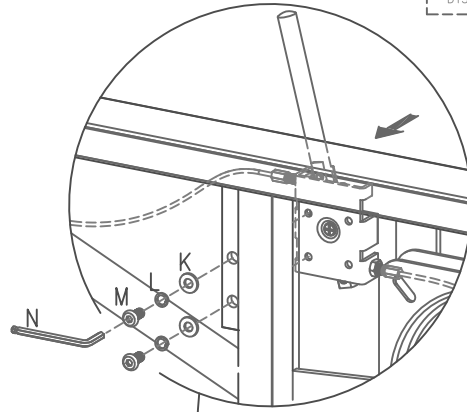
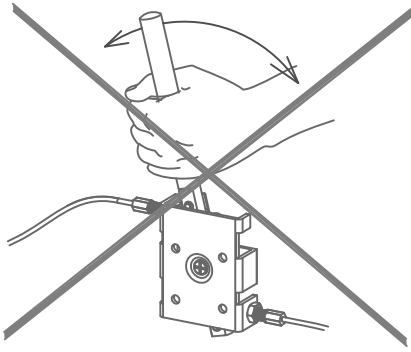


FIG. 6

**Attention!**

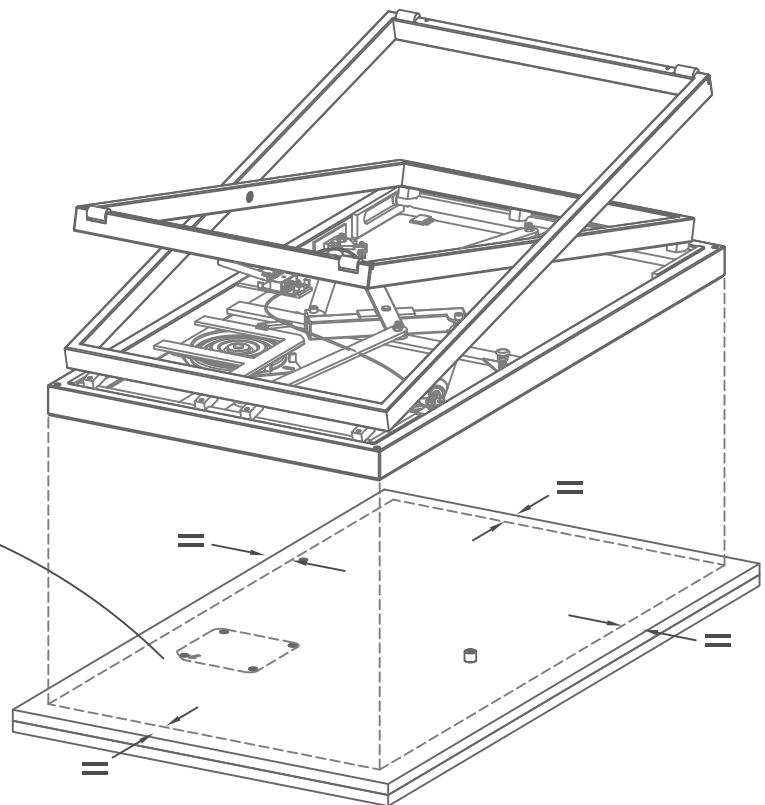
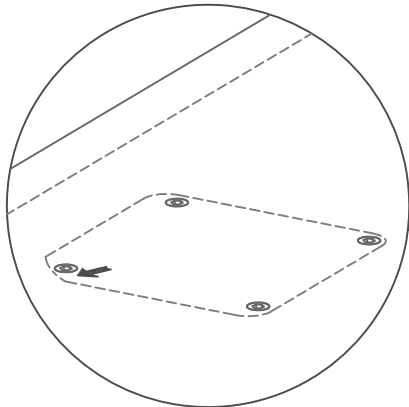


FIG. 7

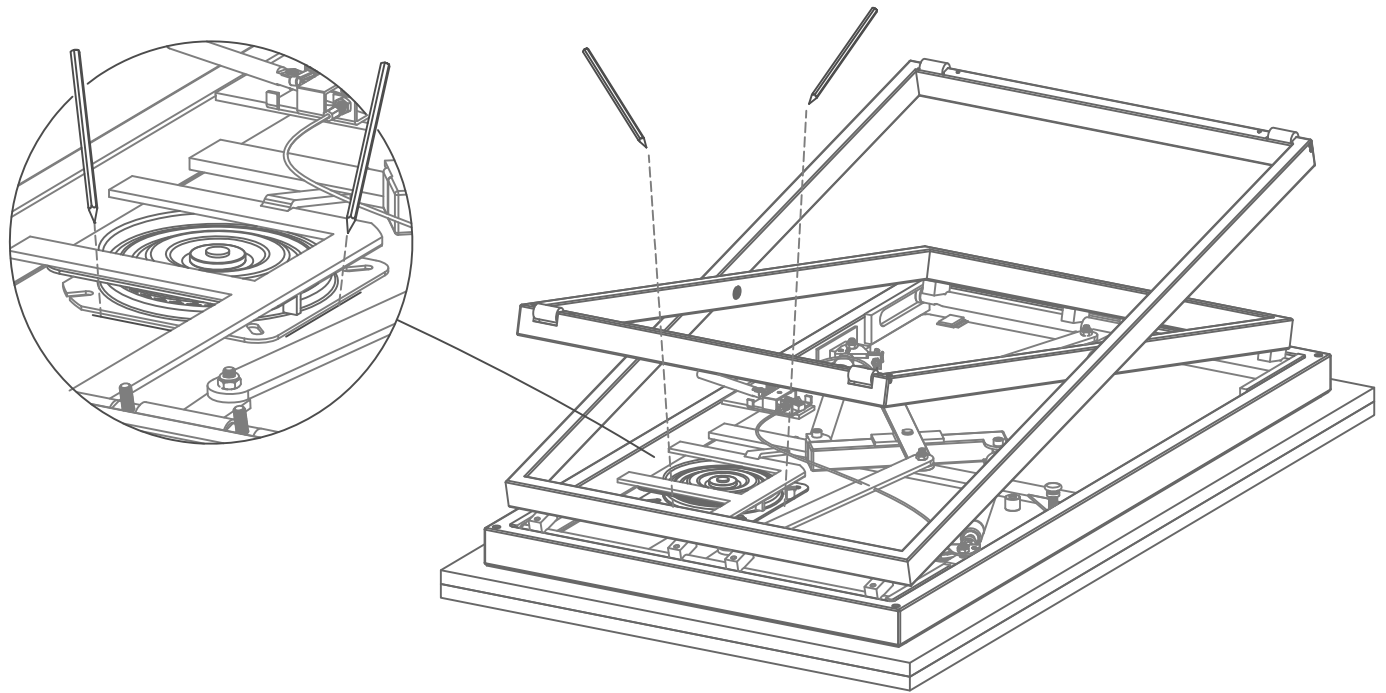
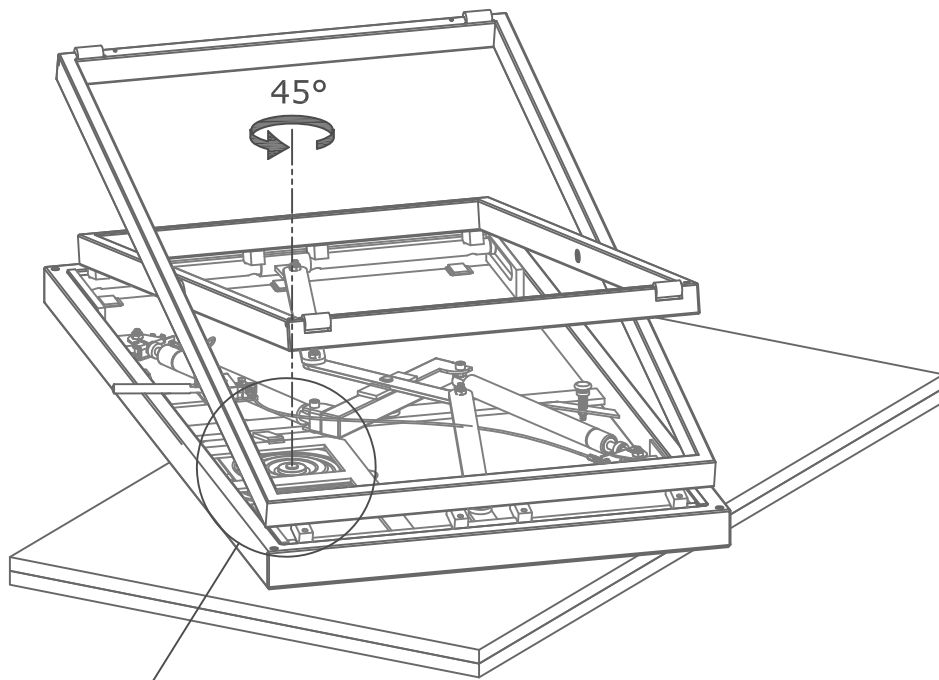


FIG. 8



P X 4  
M6x12mm

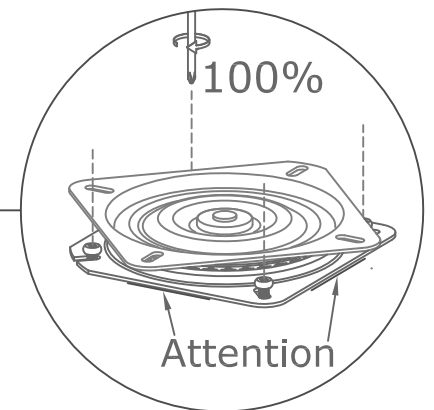
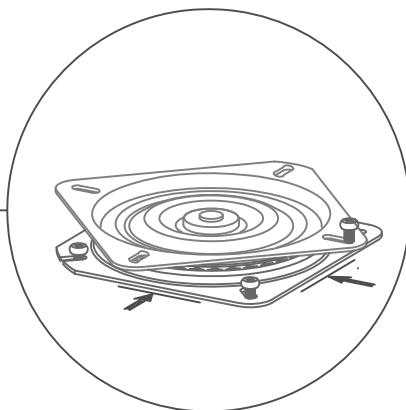
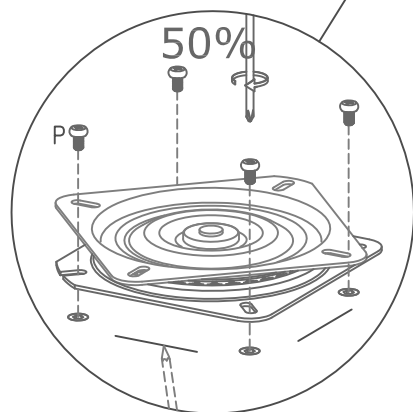


FIG. 9

Q X 1  
3mm

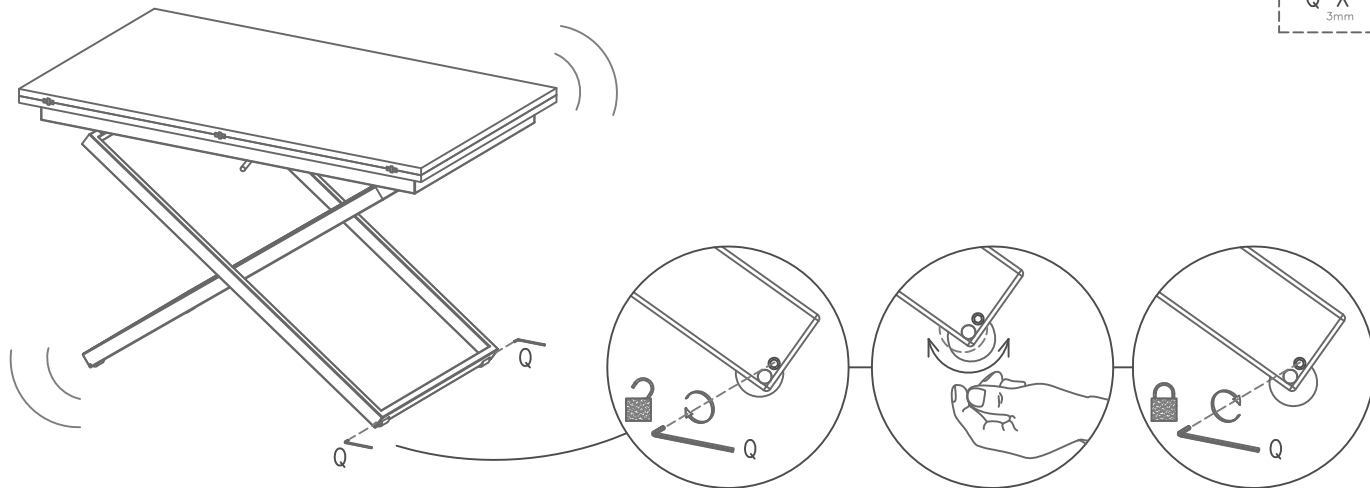
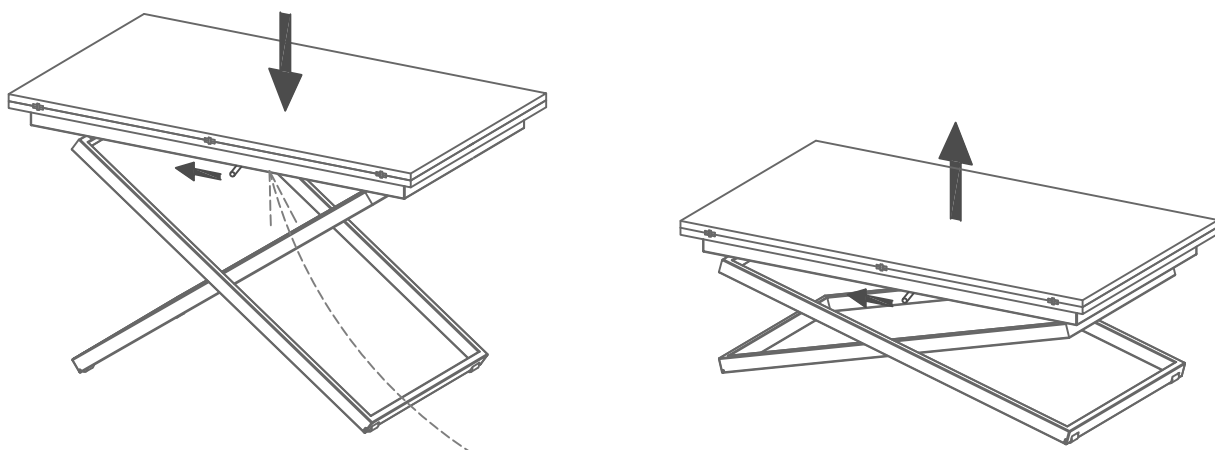
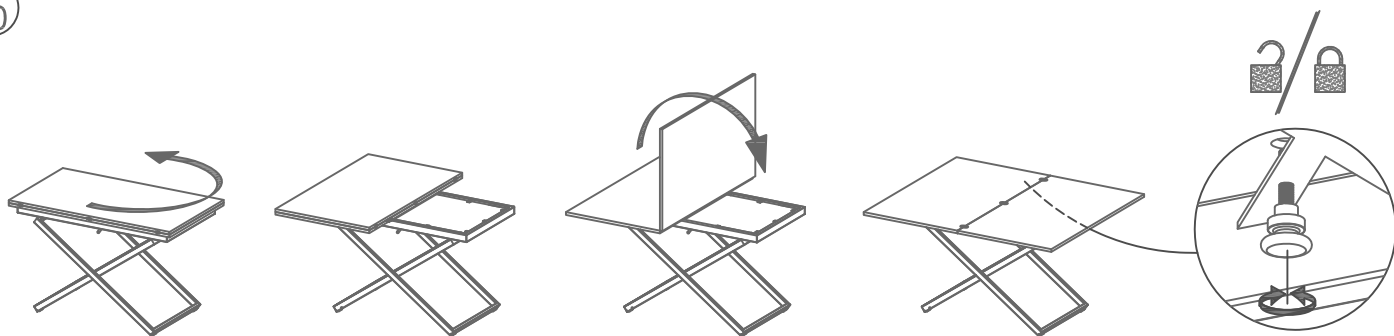


FIG. 10



**WARNING**

DK Ved reklamation oplyses følgende:  
 D Im Reklamationsfall, bitte folgendes erläutern:  
 US In case of claims, please state the following:  
 F En cas de réclamation, veuillez indiquer:  
 NL Bij service volgene mededelen  
 E En caso de reclamación, indicar lo siguiente:  
 P No caso de reclamação, por favor indique o seguinte:  
 JP お気づきの点等ございましたら、以下の点をお知らせください。

Example!

Korpus - Korpus - Carcase - Carcasse			Beslag - Fittings - Beschläge - Set de Montage		