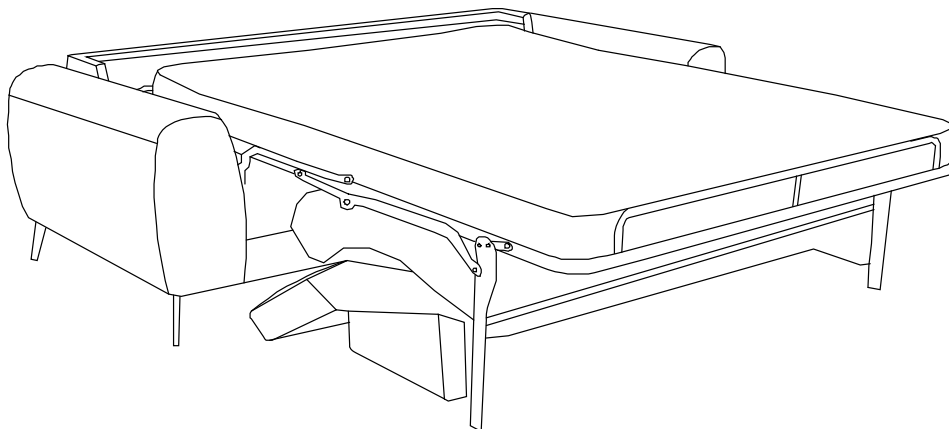
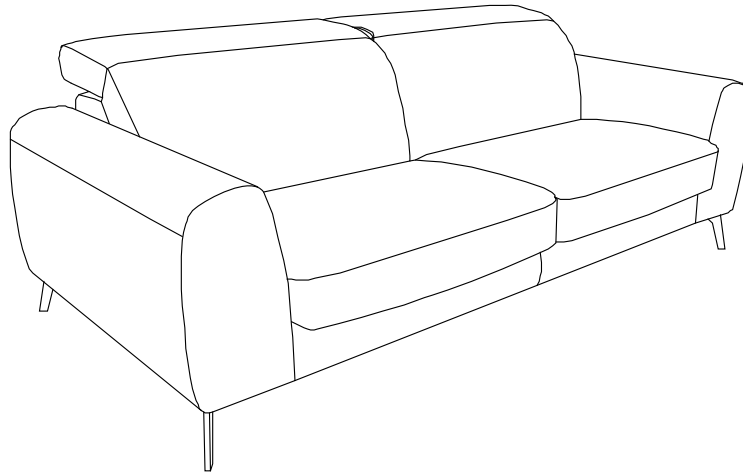


Madison Sleeper

Design by BoConcept

Samvejledning-Assembly Instructions-Montageanleitung-Instructions d'assemblage-Instrucciones de montaje

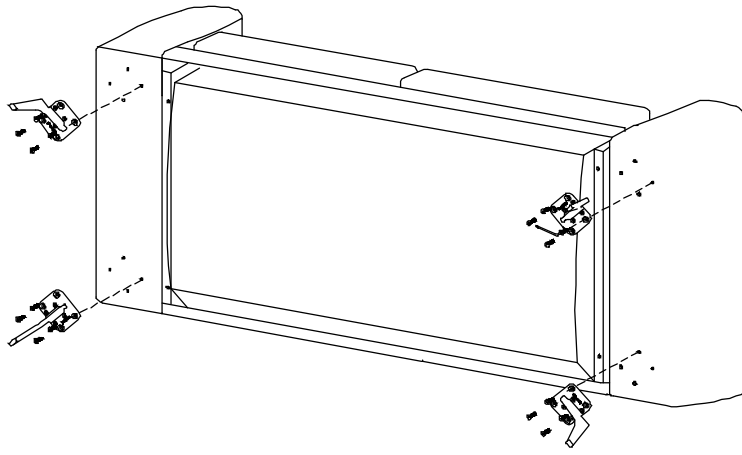


Example

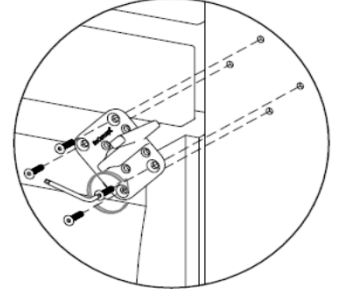
FIG. 1



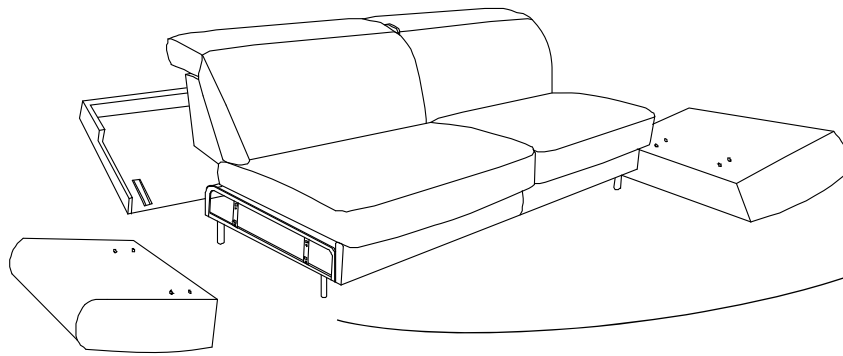
Example



Leg 4280



USE THE INCLUDED 4 SUPPORT LEGS ONLY IF YOU NEED TO REMOVE ARMS AND/OR BACKS FOR TRANSPORTATION



Support leg

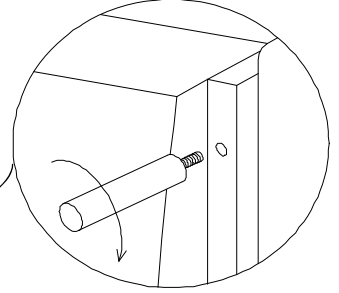
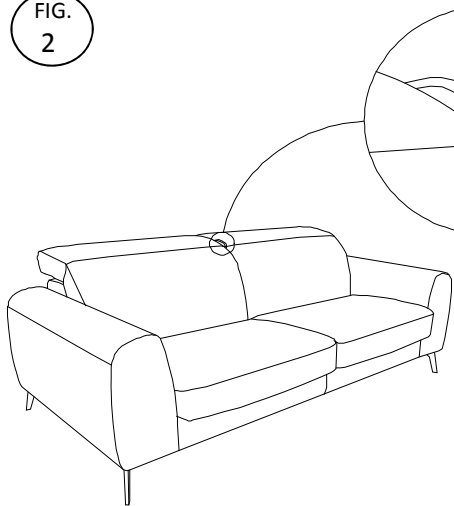
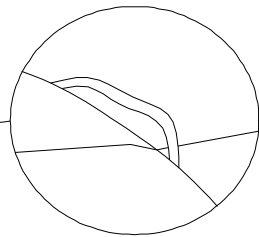


FIG. 2



Handle



BEFORE OPENING THE SLEEPER MAKE SURE THAT THE HEADRESTS ARE IN UPSIDE POSITION

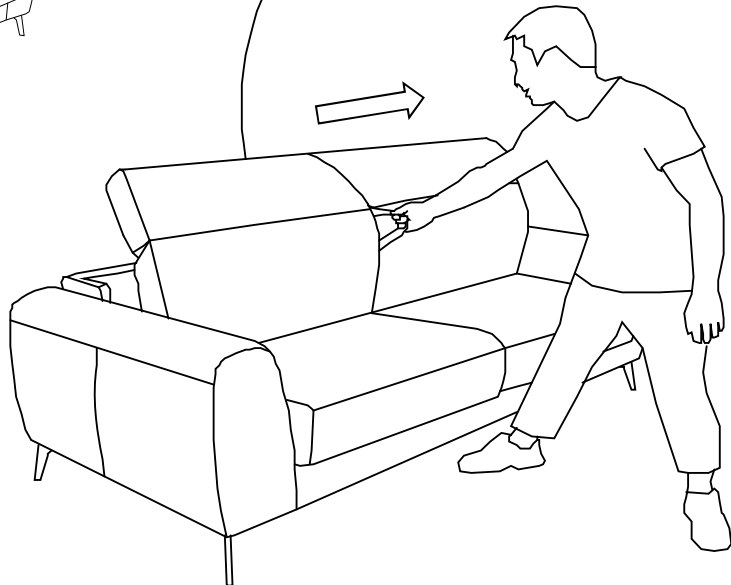


FIG.
3

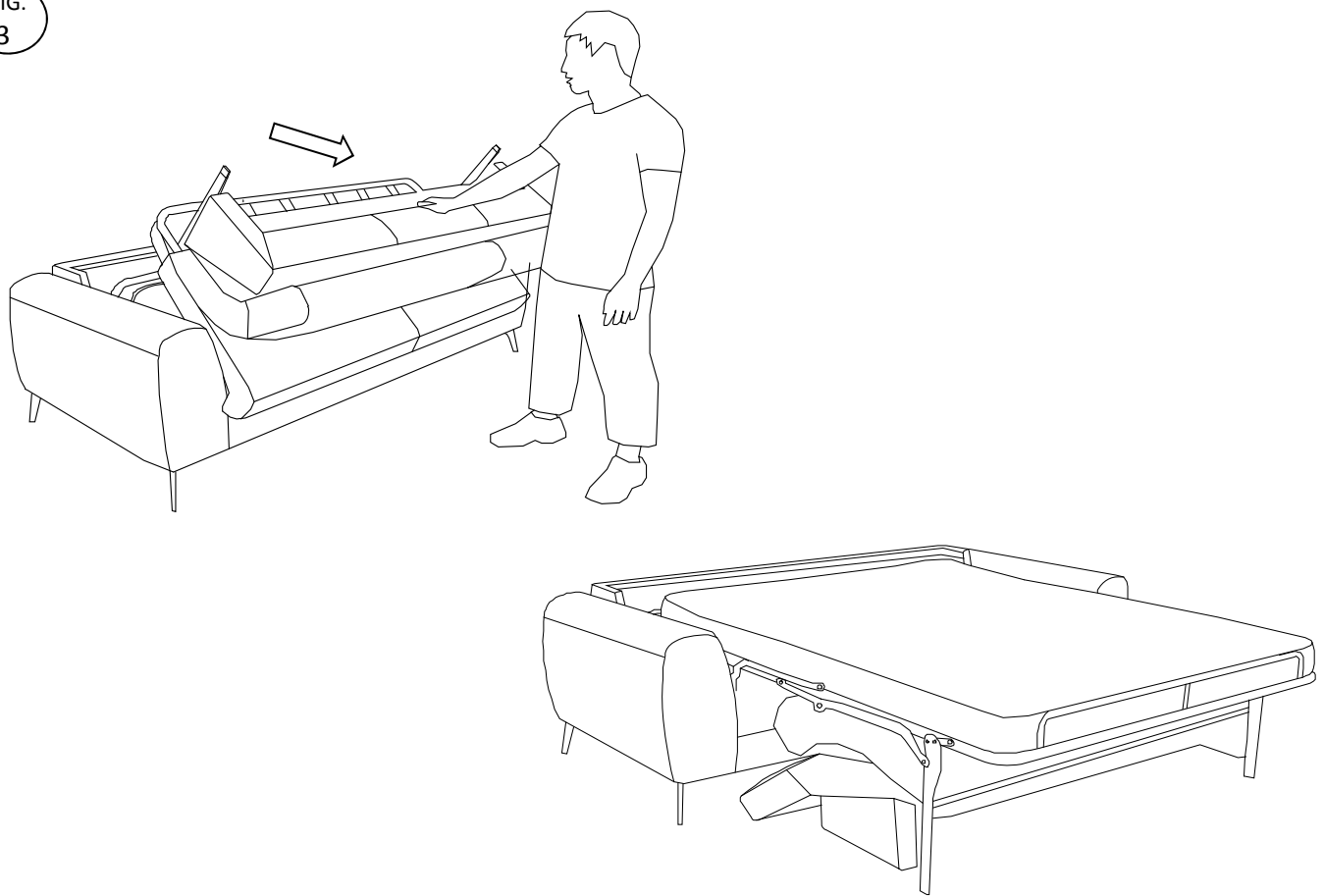


FIG.
4

