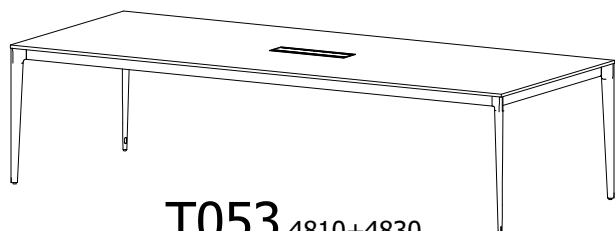


# Torino Conference

Design by BoConcept

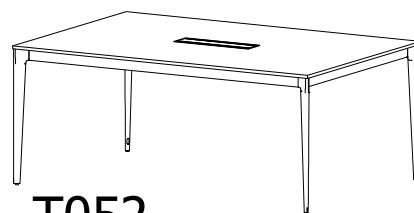
Samvejledning - Assembly Instructions - Montageanleitung - Instructions d'assemblage - Instrucciones de montaje



**T053** 4810+4830

**T057** 4810+4850

74,4x300x120cm Max 80 kg



**T052** 4820+4840

**T056** 4820+4860

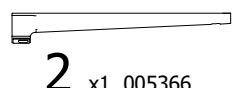
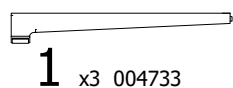
74,4x180x120cm Max 50 kg

Example

Model 4810

Korpus - Korpus - Carcase - Carcasse

Model 4820



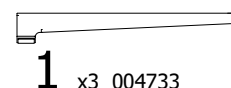
**3** x2 005364



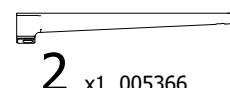
**4** x2 004737



**5** x4 005322



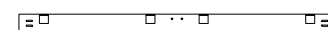
**1** x3 004733



**2** x1 005366



**6** x2 005381



**4** x2 004737



**5** x2 005322

937000064



970001612

937000064



970001612

Beslag - Beschläge - Fittings - Set de montage

4810 - No. 937000035 / 4820 - No. 937000036



**A x 4**  
970001592  
M8x55mm



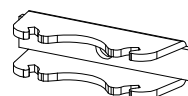
**B x 4**  
970000884  
D20, 8,4x1,4 mm



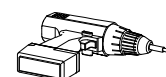
**C x 4**  
970000905  
Spring washer D14 d8,3x3,0 mm



**D x 16 / 8**  
970001482  
M6x10mm



**E x 4**  
004805



Værktøj - Werkzeuge  
Tools - Outils



**F x 26/18**  
970001599  
Screw ma M4x11 mm



**G x 26/18**  
970001600  
Bush M4 D8x8



**H x 1**  
4mm  
1979300004



**J x 1**  
6mm  
970000807

Model 4831

Model 4841

Beslag - Beschläge - Fittings - Set de montage  
No. 937000037

**7** 005370

**8** 005380

**M x 10**  
Hafele 015.31.522

**L x 1**  
Hafele 001.41.042

Model 4850

Model 4860

4832

**9** 005365

**10** 005390



**K x 1**  
Cable Tray



**N x 8**  
Hafele 631.20.060

Example 4830 + 4810

FIG. 1

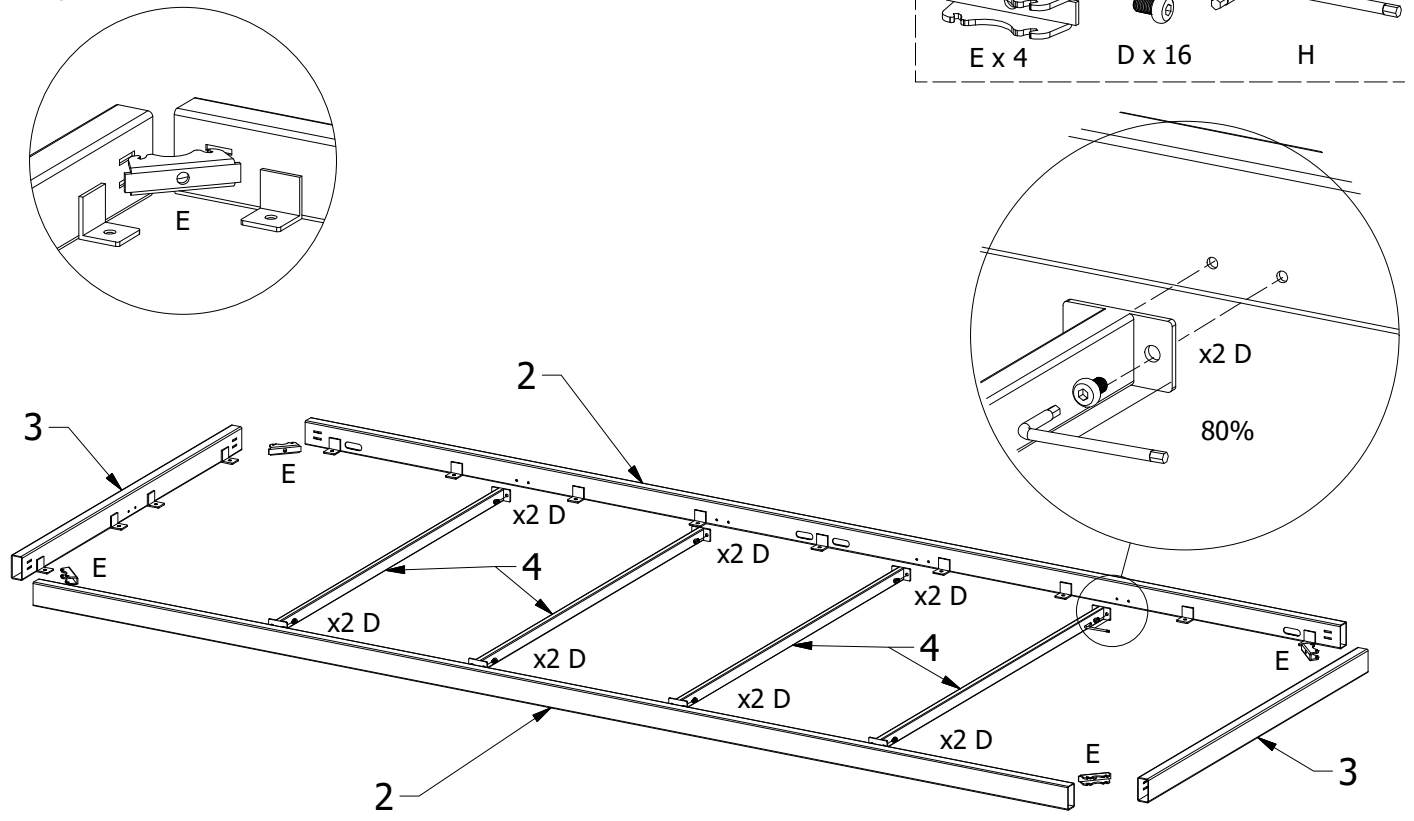
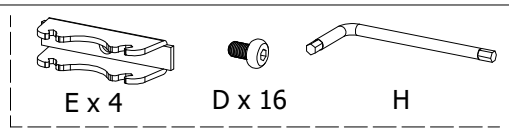


FIG. 2

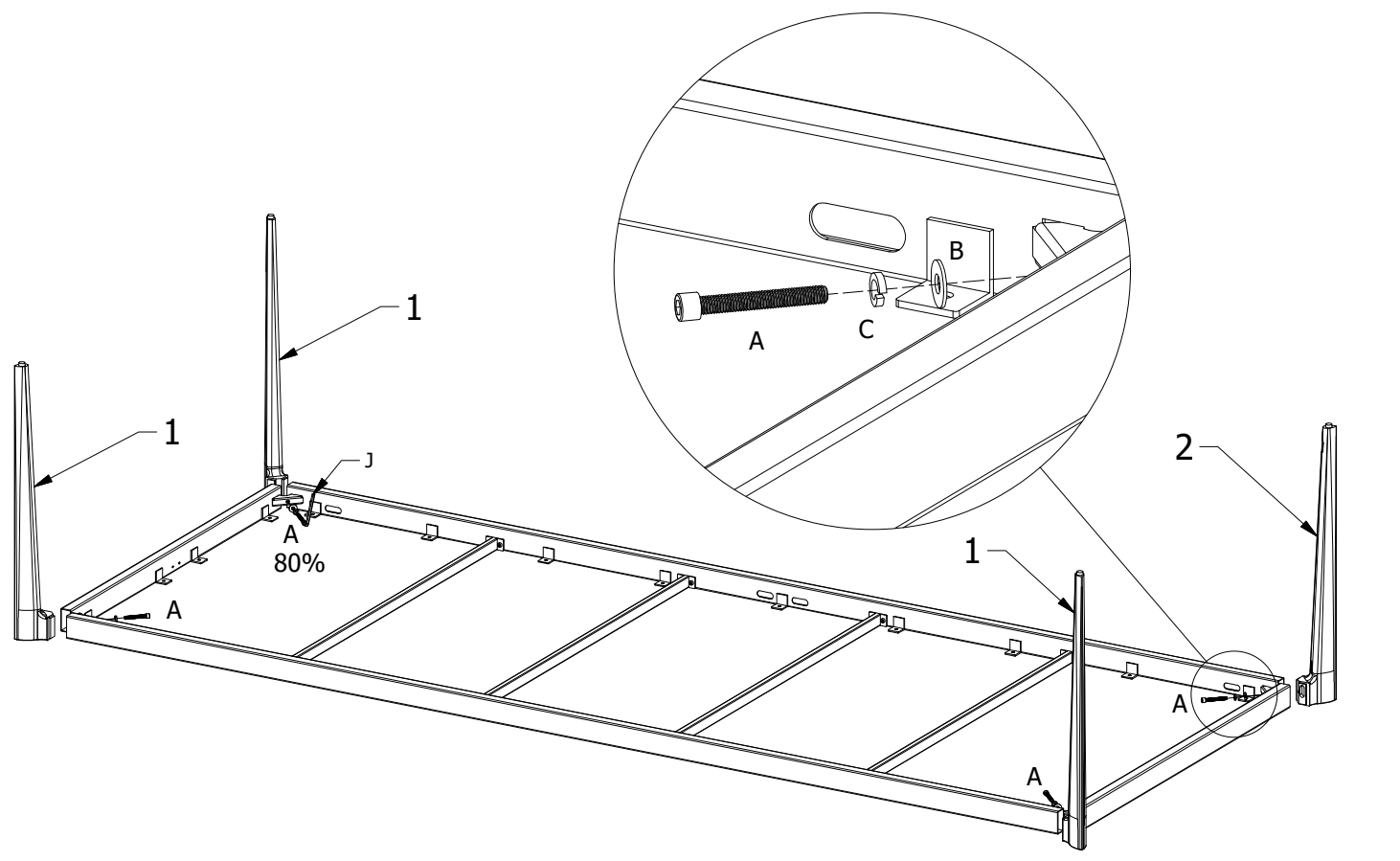
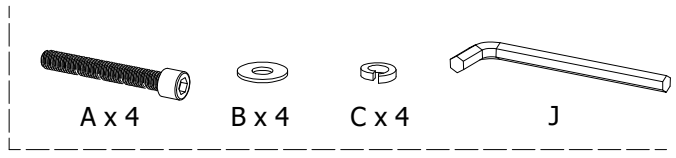


FIG. 3

G x 26

J

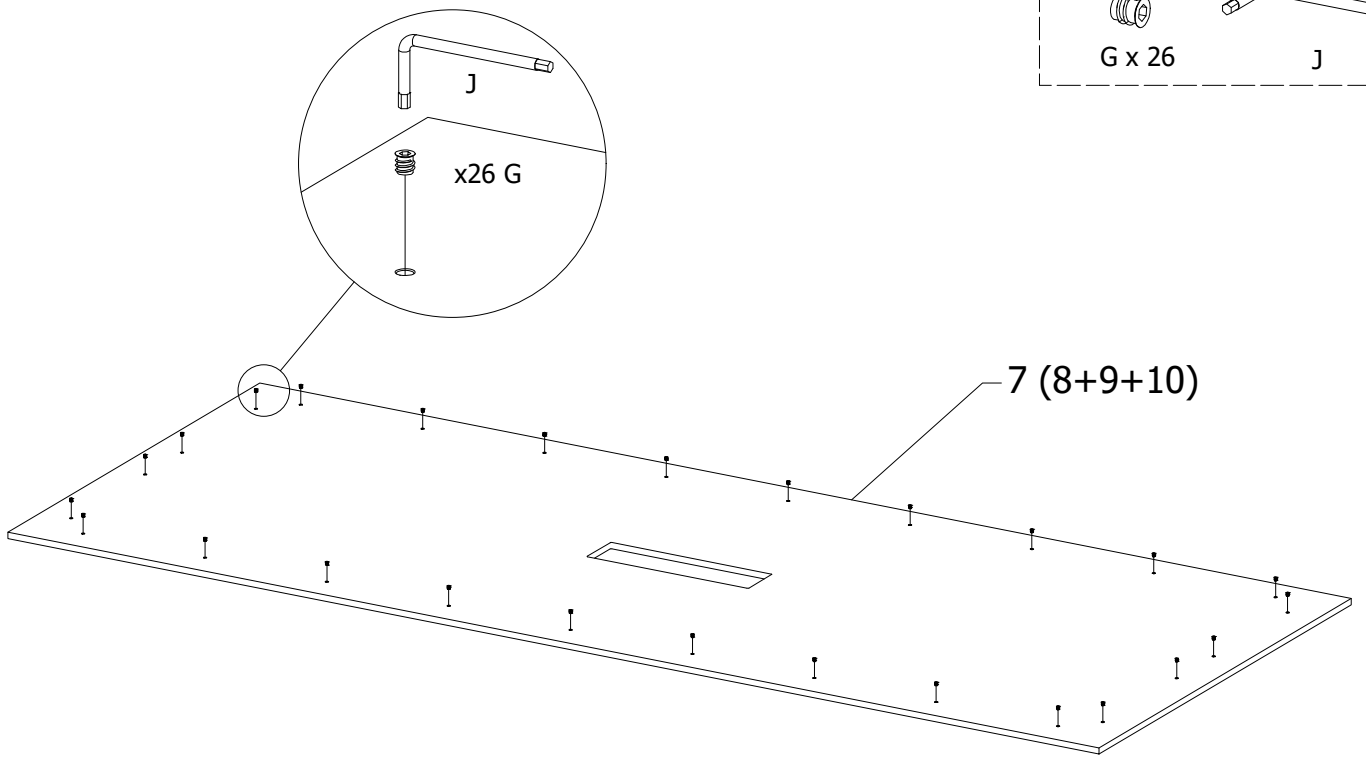


FIG. 4

F x 26

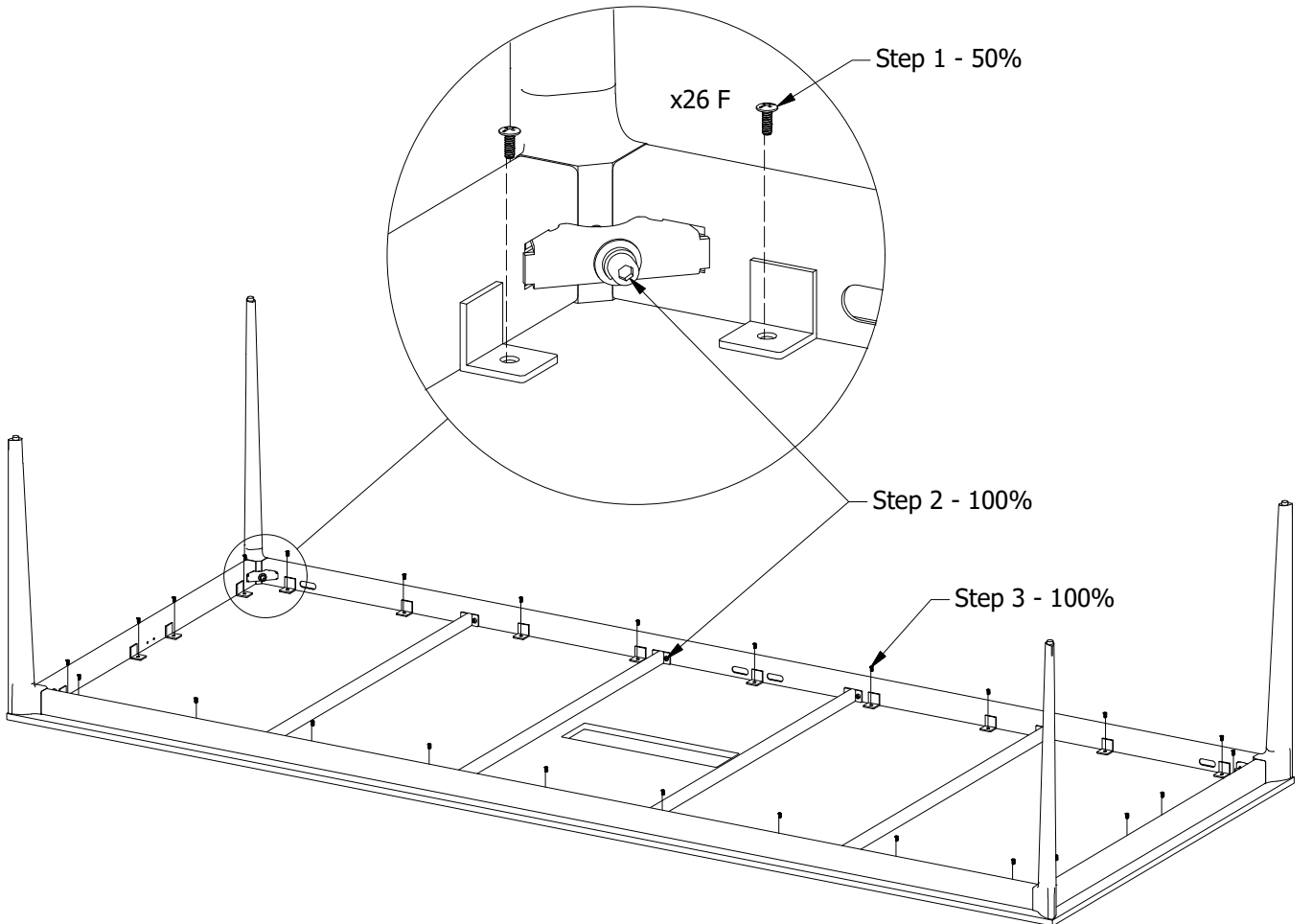
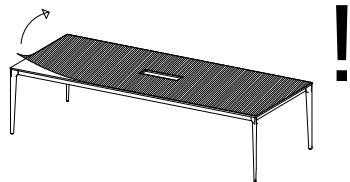





FIG. 5



-   
K x 1
-   
L x 1
-   
M x 2

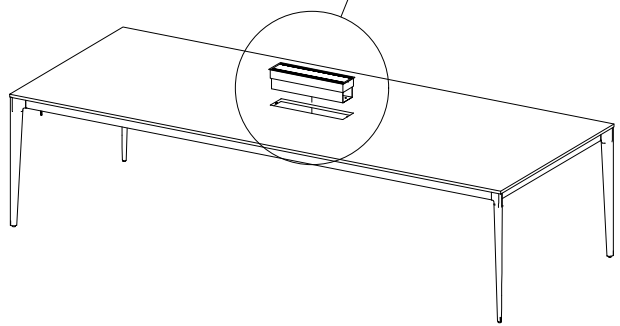
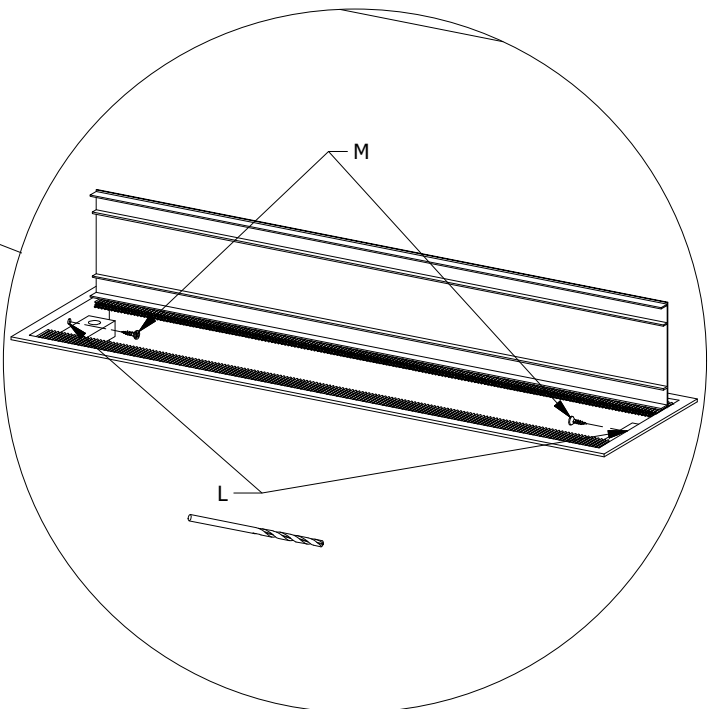
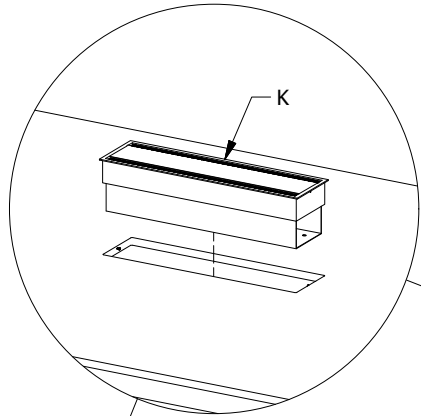


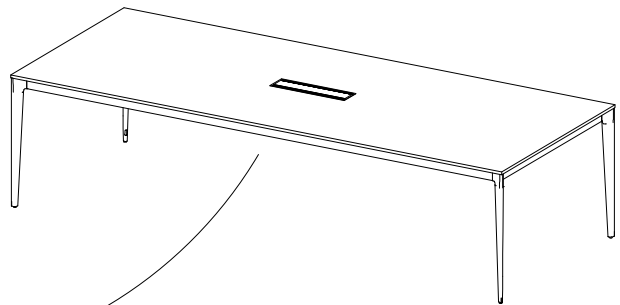
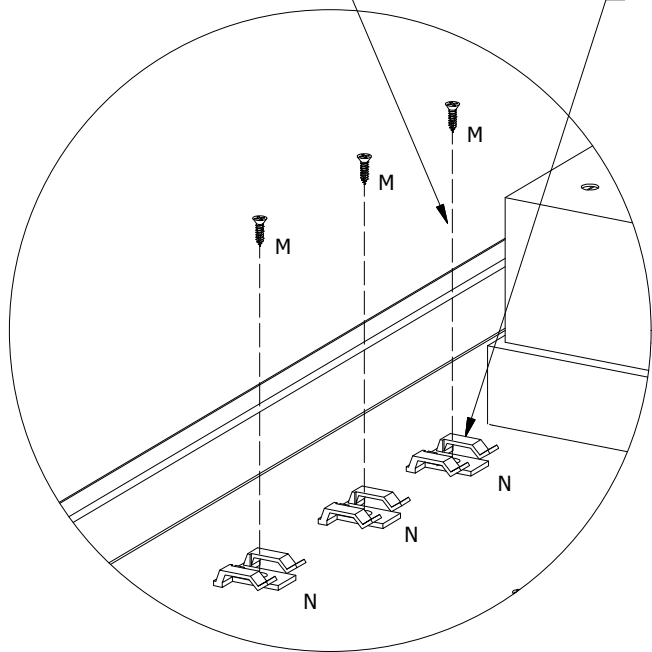
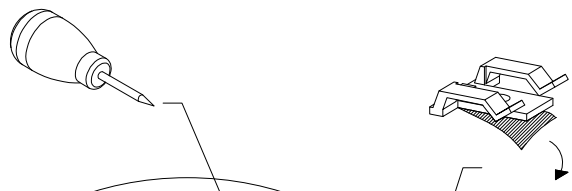
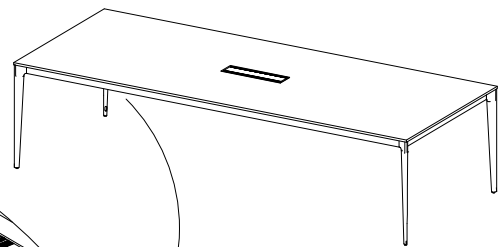
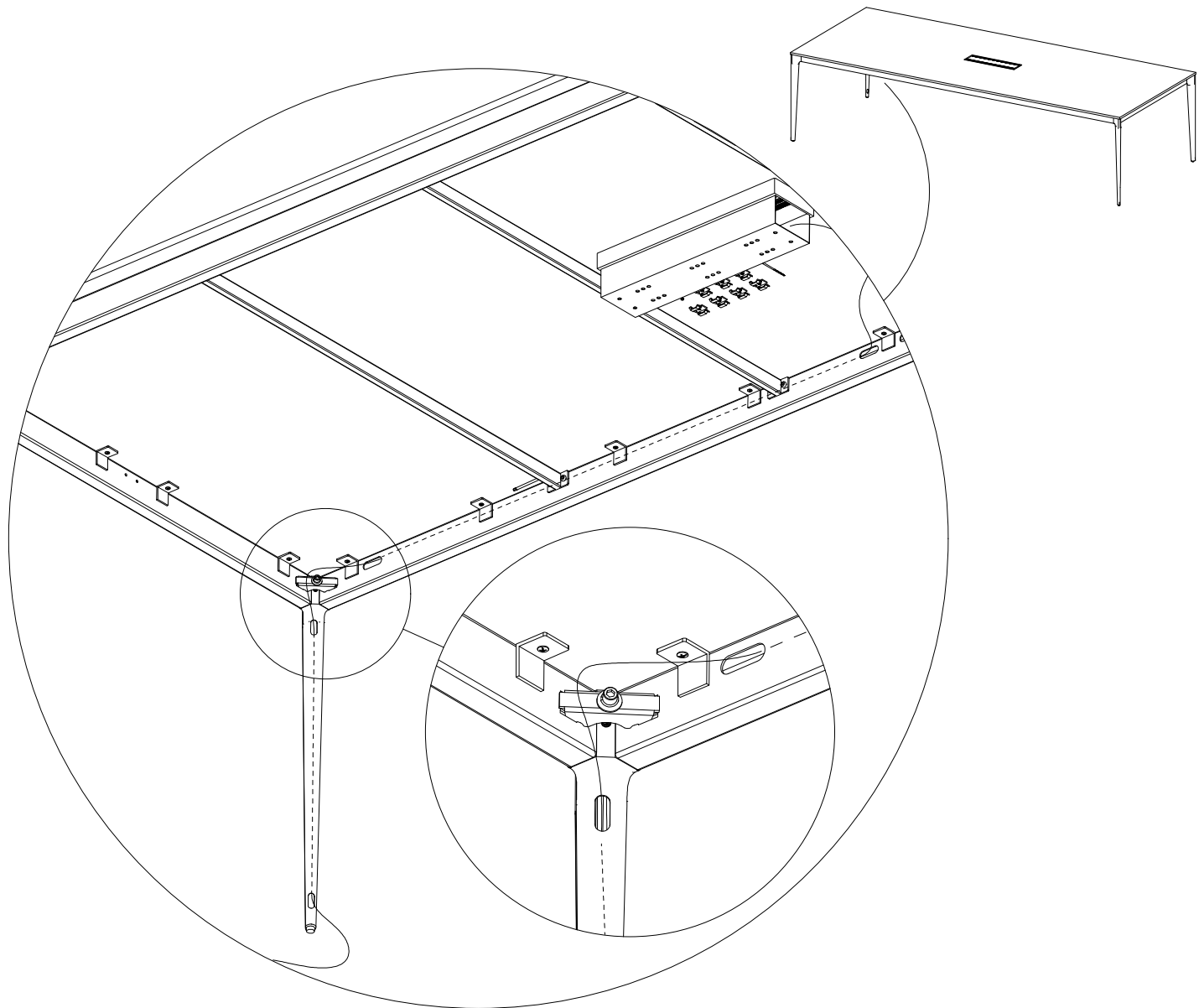


FIG. 6

-   
M x 8
-   
N x 8





**!** DK Ved reklamation oplyses følgende:  
 D Im Reklamationsfall, bitte folgendes erläutern:  
 US In case of claims, please state the following:  
 F En cas de reclamation, veuillez indiquer:  
 NL Bij service volgene mededelen  
 E En caso de reclamación, indicar lo siguiente:  
 P No caso de reclamação, por favor indique o seguinte:  
**■** JP お気づきの点等ございましたら、以下の点をお知らせください。

**Example!**

