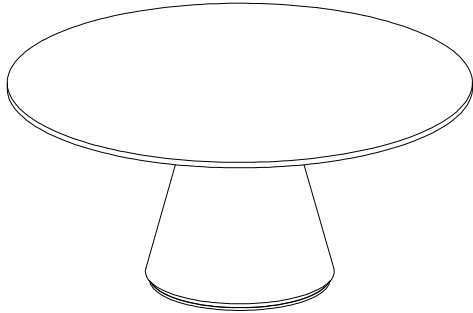


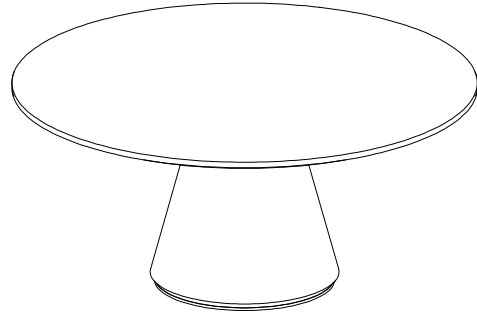
Madrid

Design by BoConcept

Samvejledning - Assembly Instructions - Montageanleitung - Instructions d'assemblage - Instrucciones de montaje

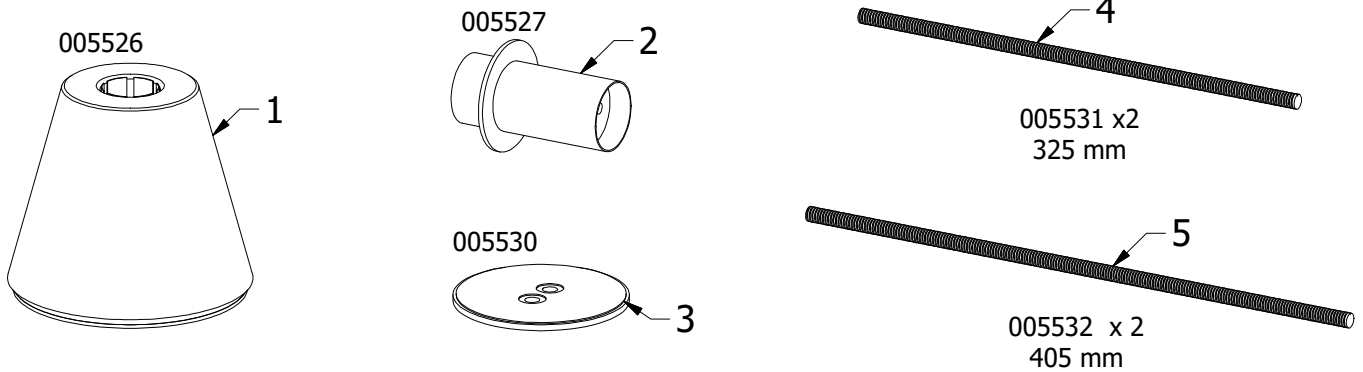


AD18 and AD20
1820/1670 And 1820/1690
36/44 x 99/80 x 99/80 cm
Max weight 15 KG

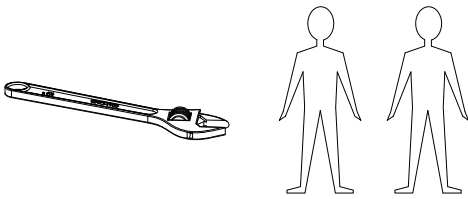


AD19 and AD21
1820/1700 and 1820/1710
36/44 x 99/80 x 99/80 Cm
Max weight 15 KG

Korpus - Korpus - Carcase - Carcasse
Model 1820

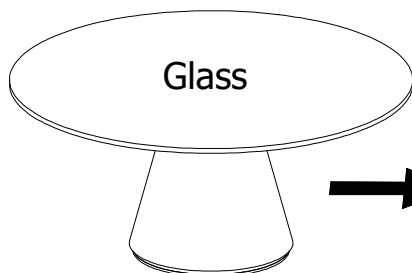


Værktøj - Werkzeuge - Tools - Outils



Beslag - Beschläge - Fittings - Set de montage

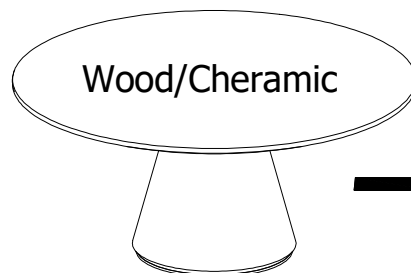
Model 1820
Fitting bag 937000074



Glass

FIG.
1

1820/1670 And 1820/1690



Wood/Ceramic

FIG.
4

1820/1700 and 1820/1710

FIG. 1

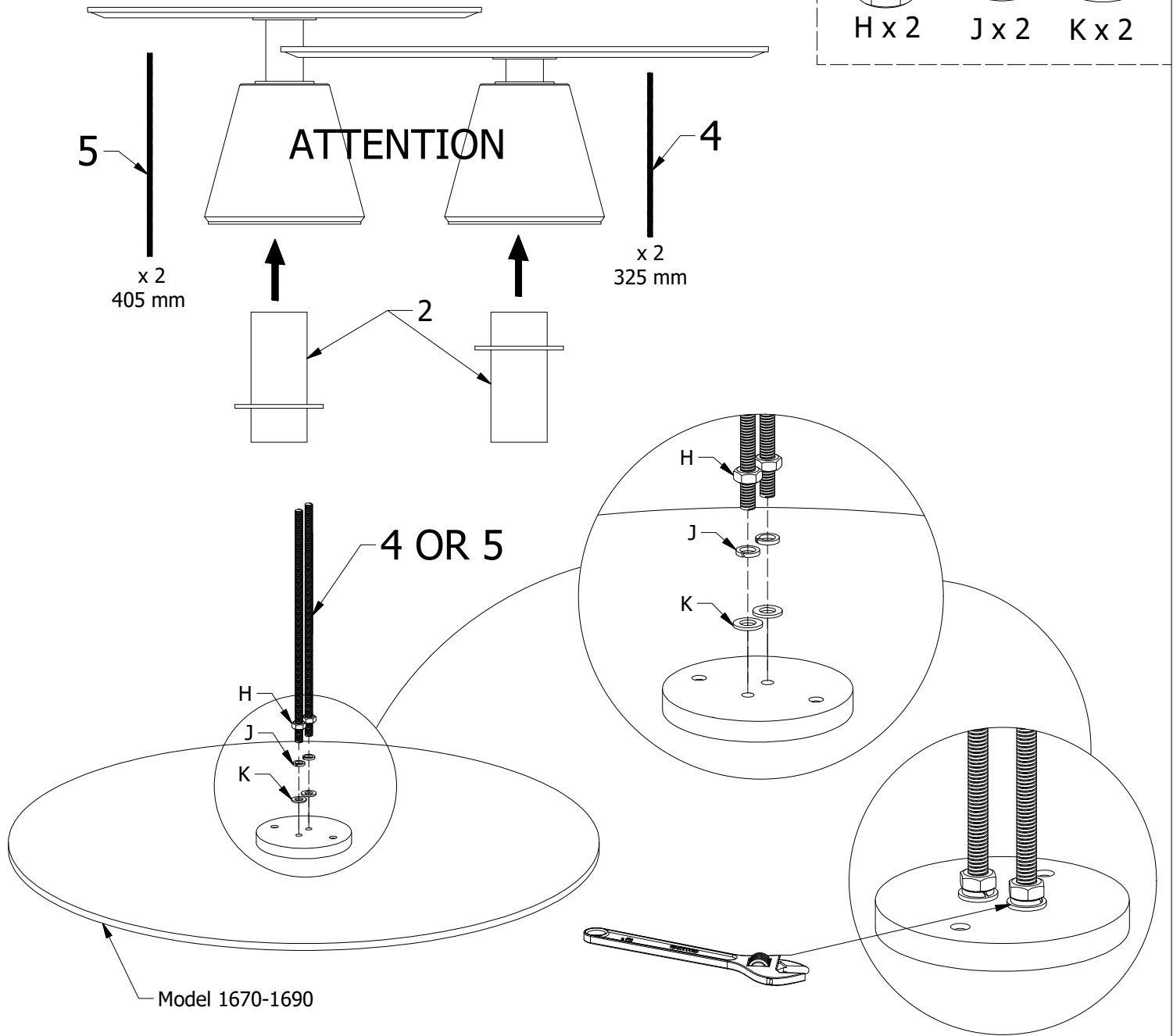


FIG. 2

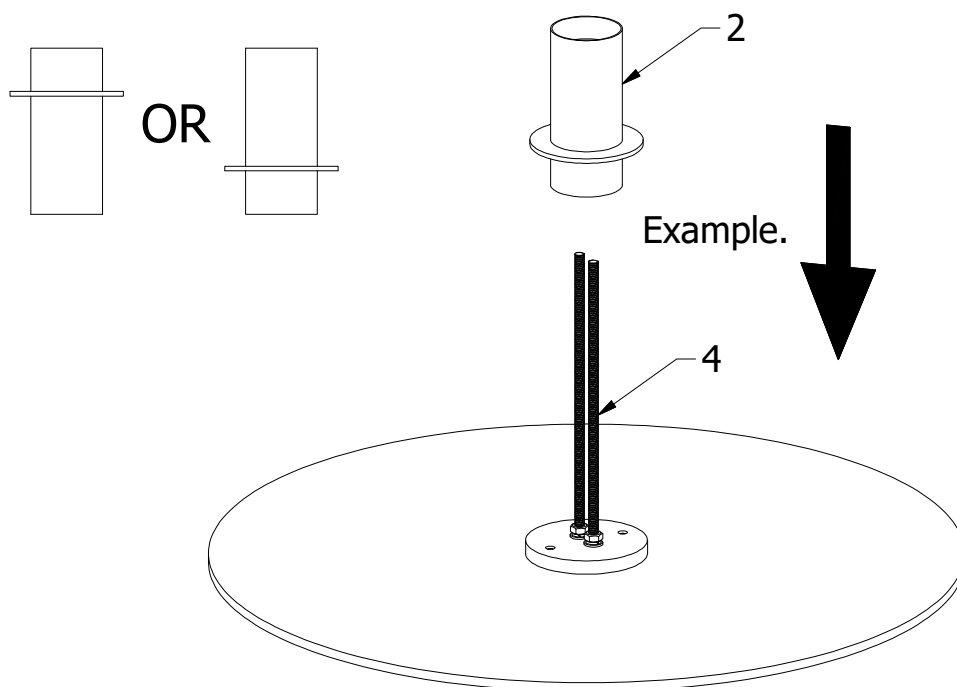


FIG. 3

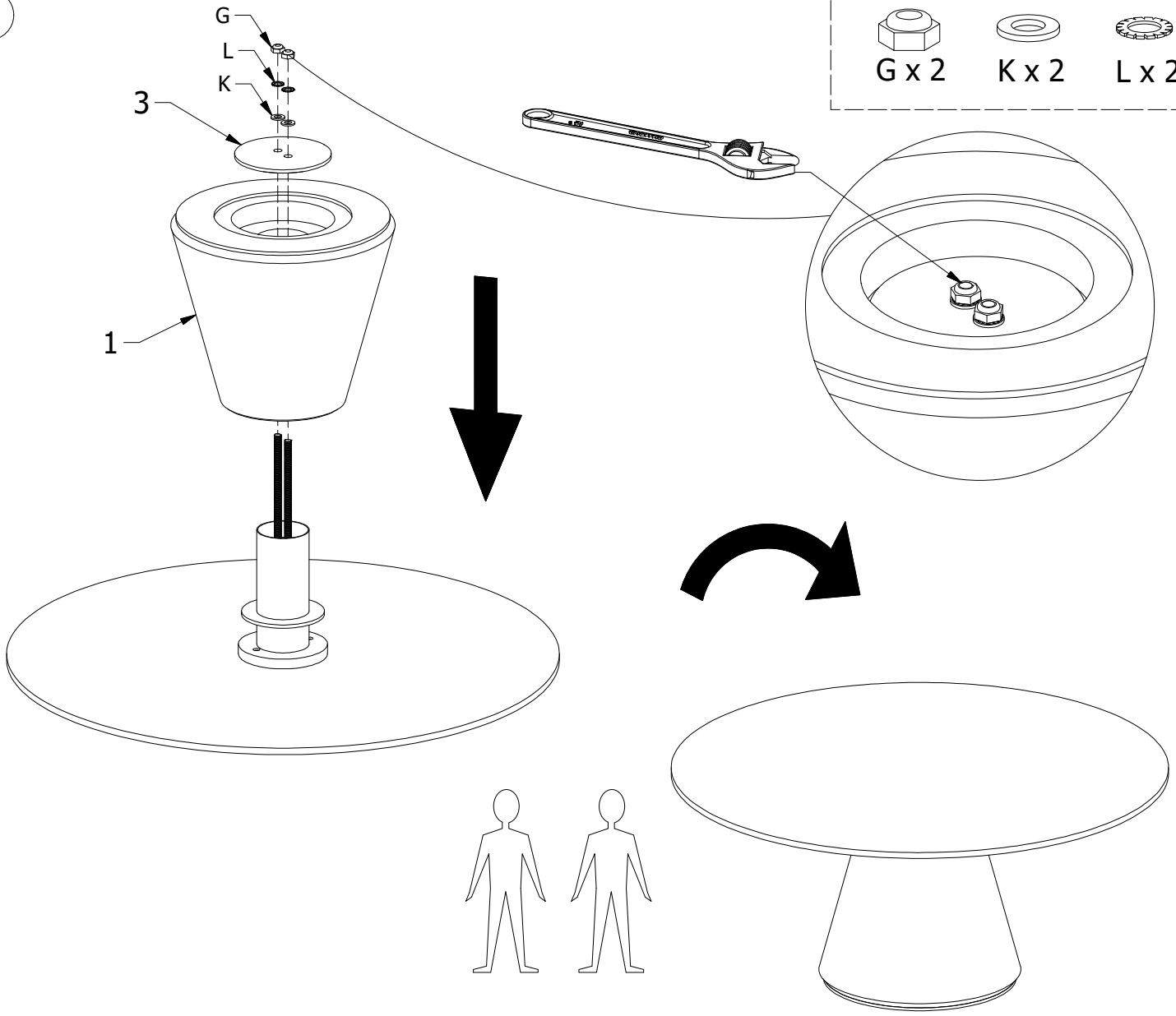
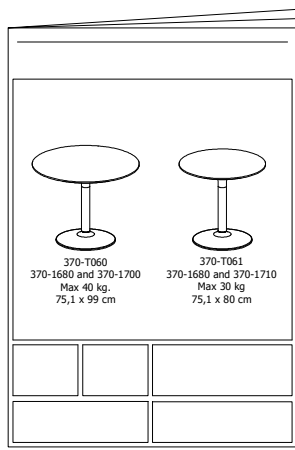
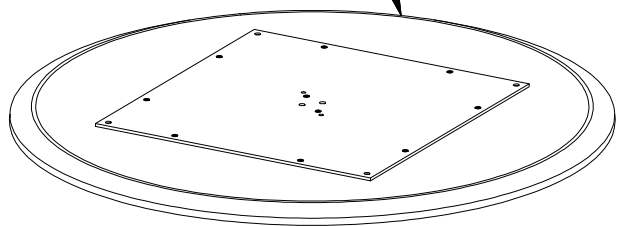


FIG. 4

Model 370-1700, 370-1710



943701700

FIG. 1

FIG. 2

FIG. 5

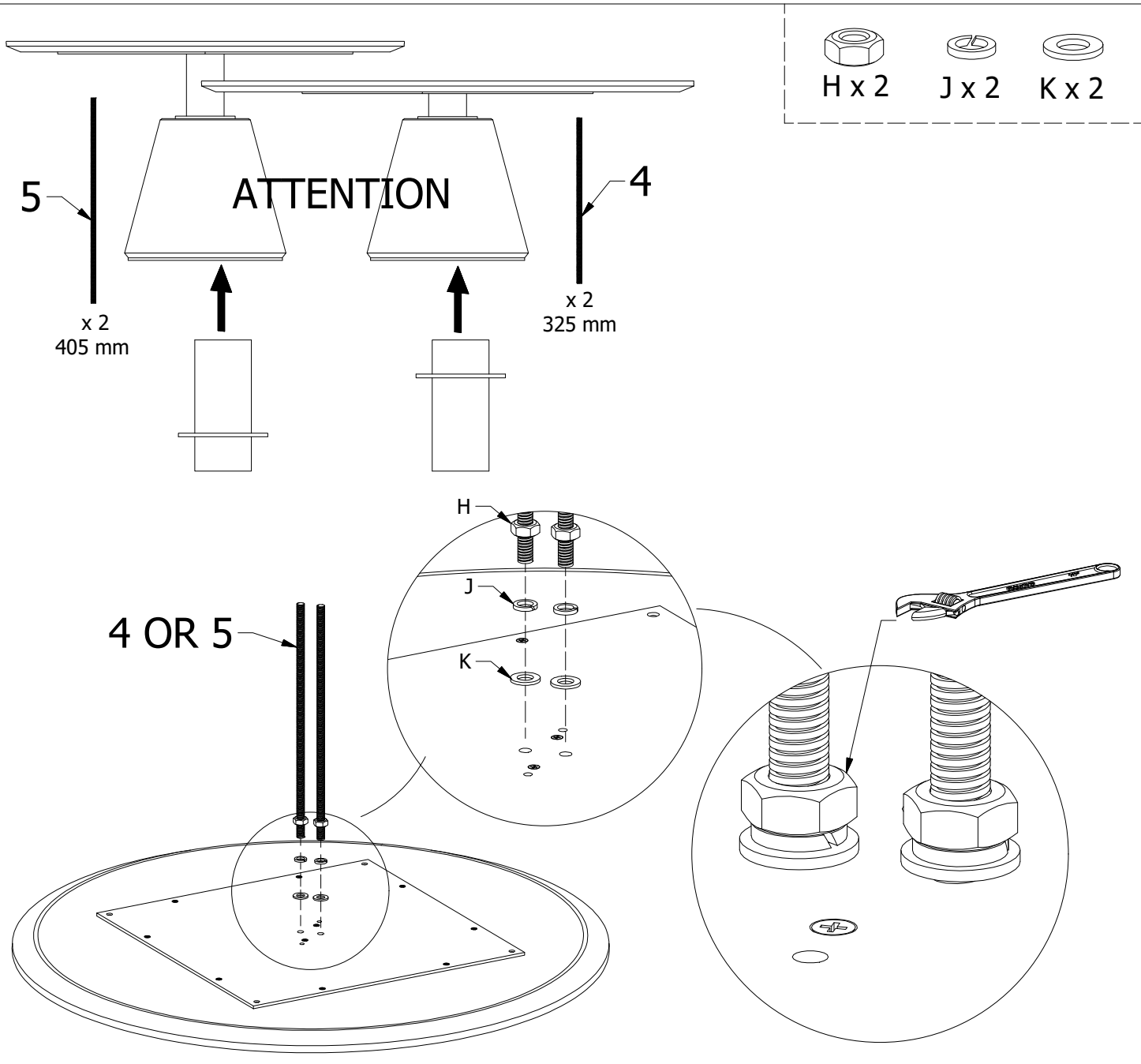
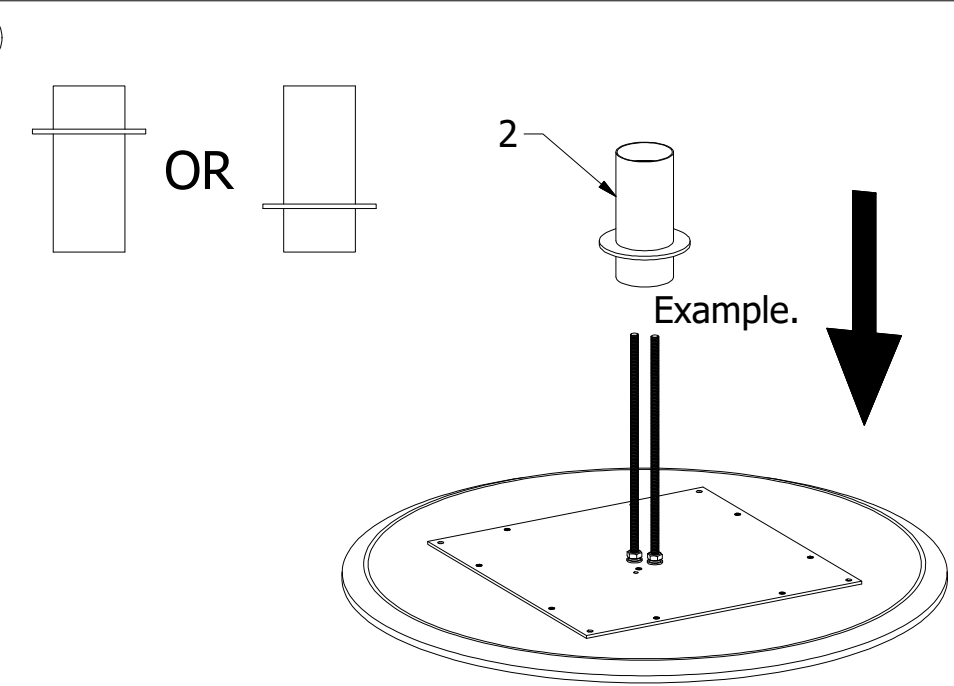
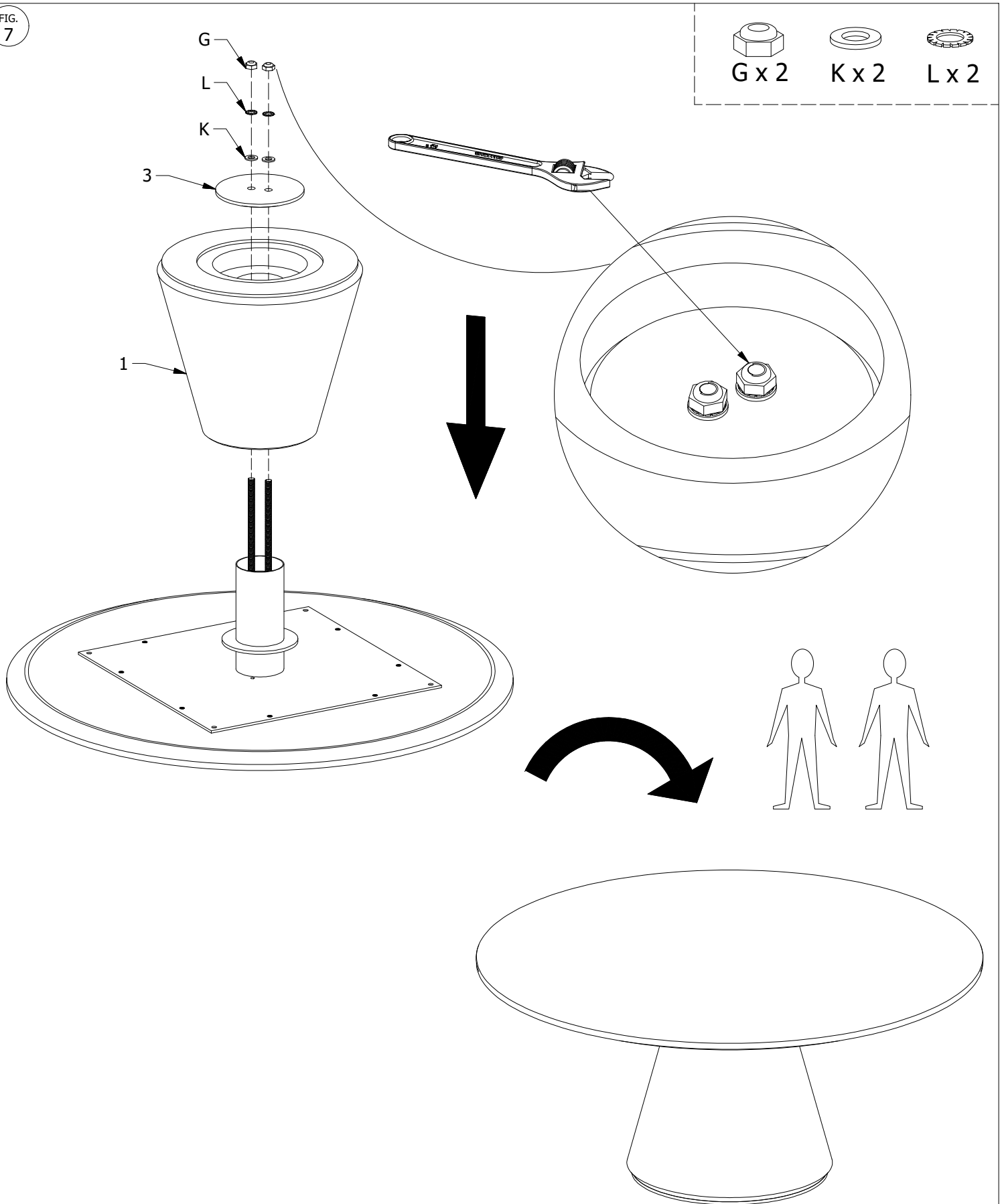


FIG. 6





DK Ved reklamation oplyses følgende:
 D Im Reklamationsfall, bitte folgendes erläutern:
 US In case of claims, please state the following:
 F En cas de réclamation, veuillez indiquer:
 NL Bij service volgene mededelen
 E En caso de reclamación, indicar lo siguiente:
 P No caso de reclamação, por favor indique o seguinte:
 JP お気づきの点等ございましたら、以下の点をお知らせください。

Example!

Korpus - Korpus - Carcase - Carcasse			Beslag - Fittings - Beschläge - Set de Montage		
			A X 8 1972000014	B X 12 1972000004	C X 4 1979110830
			D X 2 1970120000	H X 2 1978504022	J X 8 1978204210