
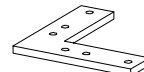
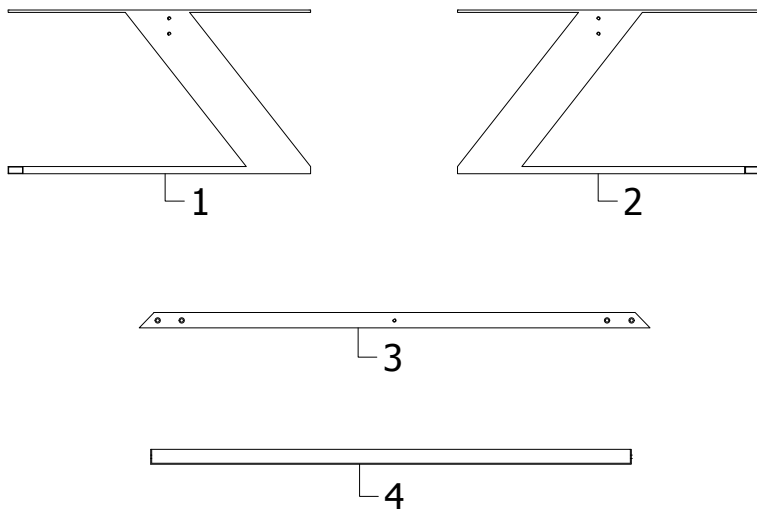


370-0340

33,2x101,4x60,0 cm

 Max. 60kg.

Coll. 1 - 0340



A x 2
004266



B x 5
979900234
M6xD13x6mm



F x 8
1978004516
4,5x16mm



C x 12
970001482
M6x10mm



G x 1
1979300004
4mm

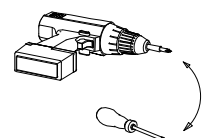
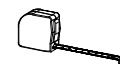
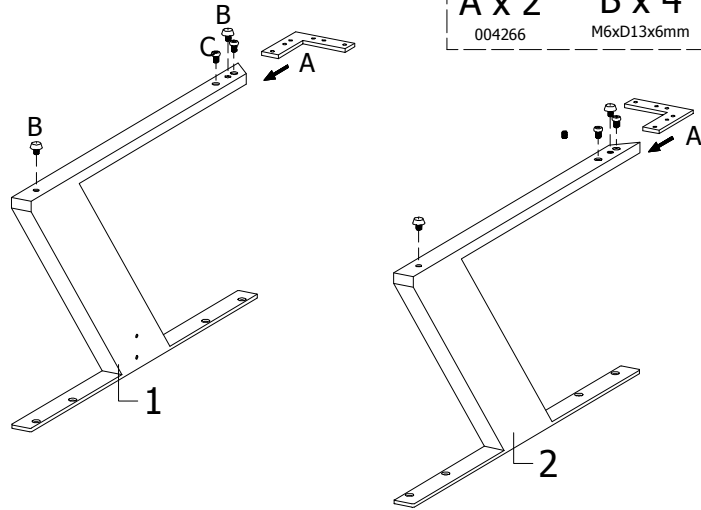
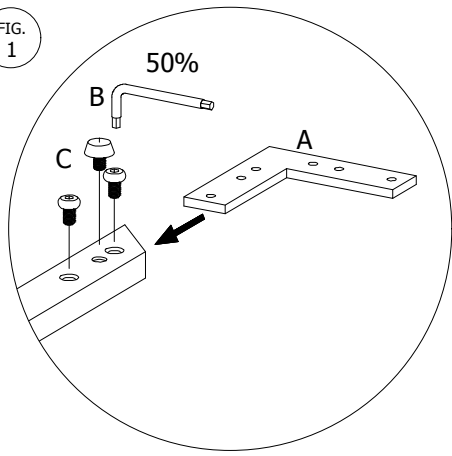


FIG. 1



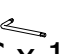
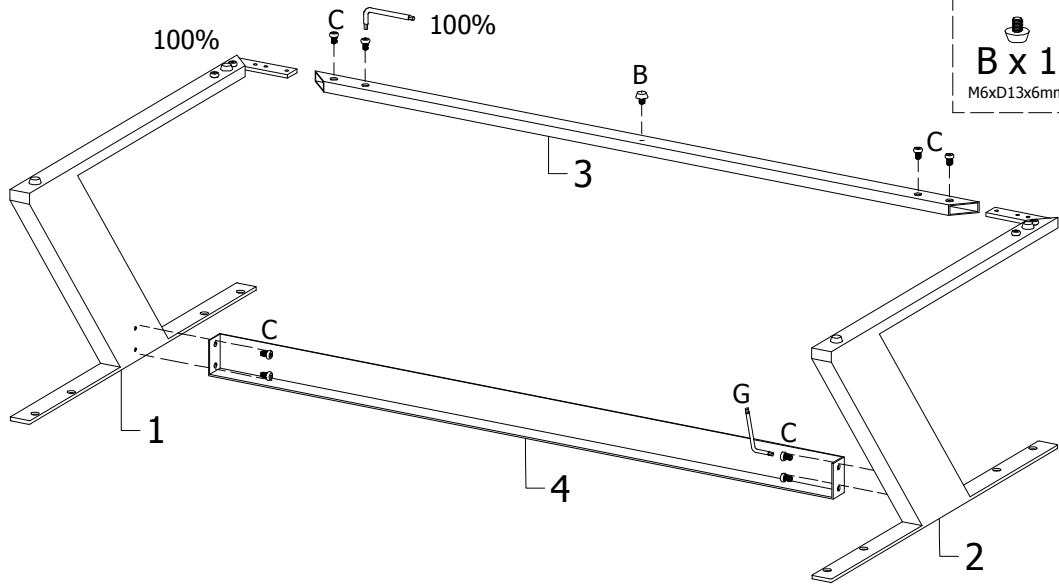
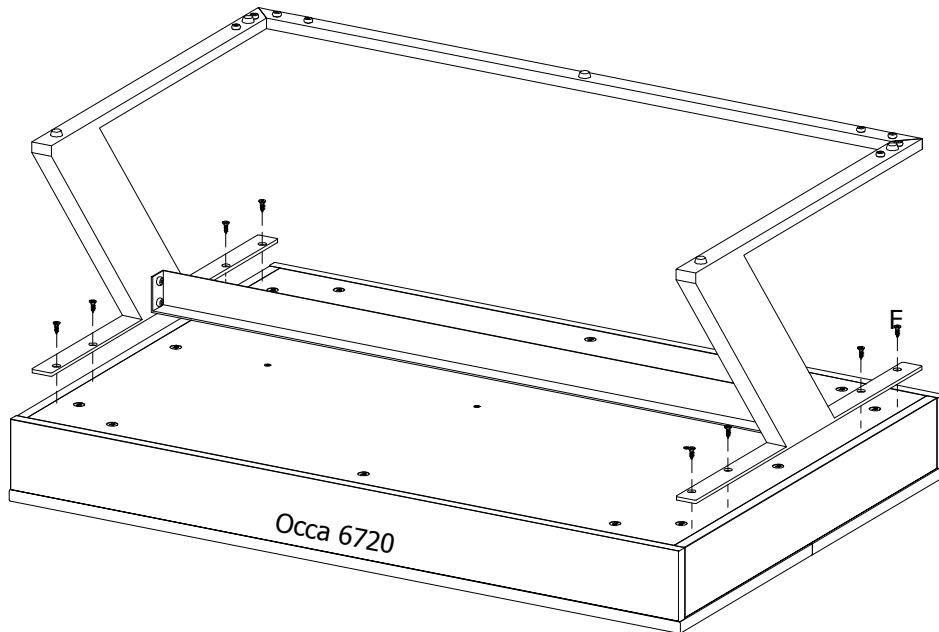
- 
A x 2
004266
- 
B x 4
M6xD13x6mm
- 
C x 4
M6x10mm
- 
G x 1

FIG. 2

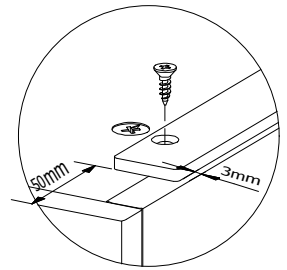


- 
B x 1
M6xD13x6mm
- 
C x 8
M6x10mm
- 
G x 1

FIG. 3



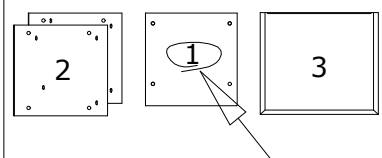
- 
F x 8
4,5x16mm









! DK Ved reklamation oplyses følgende:
 D Im Reklamationsfall, bitte folgendes erläutern:
 US In case of claims, please state the following:
 F En cas de reclamation, veuillez indiquer:
 NL Bij service volgene mededelen
 E En caso de reclamacion, indicar lo siguiente:
 P No caso de reclamação, por favor indique o seguinte:
JP お気づきの点等ございましたら、以下の点をお知らせください。

Example!

Korpus - Korpus - Carcase - Carcasse



Beslag - Fittings - Beschläge - Set de Montage

| | | |
|------------------------------------------------------------------------------------------------------------------------------------|-------------------------------------------------------------------------------------------------------------------------------------|------------------------------------------------------------------------------------------------------------------------------------|
|  A X 8 <small>1972000014</small> |  B X 12 <small>1972000004</small> |  C X 4 <small>1979110830</small> |
|  D X 2 <small>1970120000</small> |  H X 2 <small>1978504022</small> |  J X 8 <small>1978204210</small> |