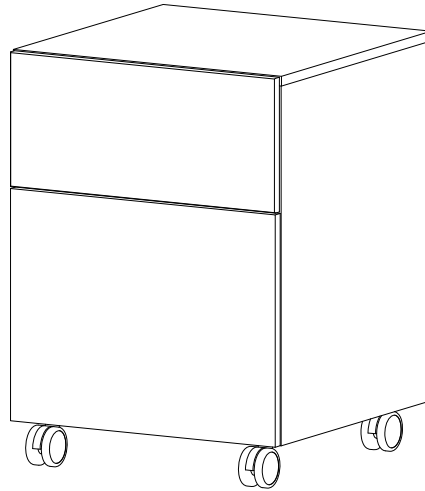


Occa

Design by BoConcept

Samvejledning - Assembly Instructions - Montageanleitung - Instructions d'assemblage - Instrucciones de montaje

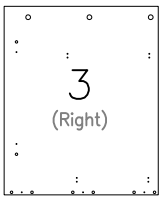


1150

68x50x50 cm

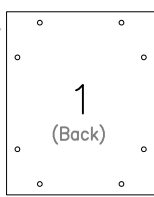
Korpus - Korpus - Carcase - Carcasse

Col. 1

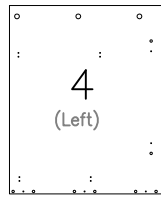


3
(Right)

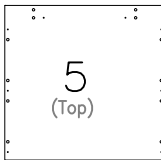
x2



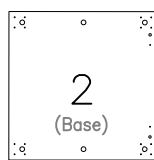
1
(Back)



4
(Left)

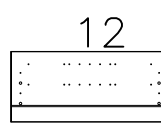


5
(Top)

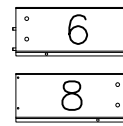


2
(Base)

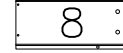
Col. 2



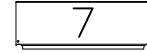
12



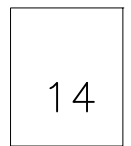
6



8



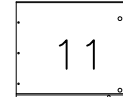
7



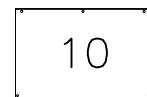
14



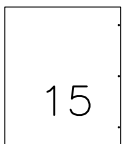
9



11



10



15

Beslag - Beschlage - Fittings - Set de montage - Acessorios

col.1



A X 20
1972000014
15x12.5mm



B X 32
1979110830
∅8x30mm



C X 28
1972000009
∅3x11mm



D X 4
970000589
10x42mm



E X 16
1978104515
4.5X15mm



F X 4
970000588



L X 16
970001027
13.5x4.2mm



M X 8
970001056



N X 10
1978054240
4,2x45mm



P X 1
970000595



Q X 1
970000594
4.5mm



R X 4
1972020105



S X 3
1978103530
3.5x30mm



T X 3
970000731
12mm



U X 2
970001032
421x40x4mm



V X 3
970000749
5.0x25mm



W X 3
970000732
21mm



Z X 3
1978806002
M6



Y X 3
970000747
M6x45mm



AA X 1
1979300004
4mm

col.2



G X 1
970001040
L 360mm



H X 1
9700001039
R 360mm



J X 1
970000615
L 360mm



K X 1
970000614
R 360mm

Verktoj - Werkzeuge -
Tools - Outils

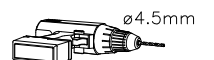
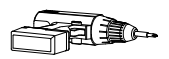


FIG. 1

- A X 8
15x12.5mm
- B X 8
ø8x30mm

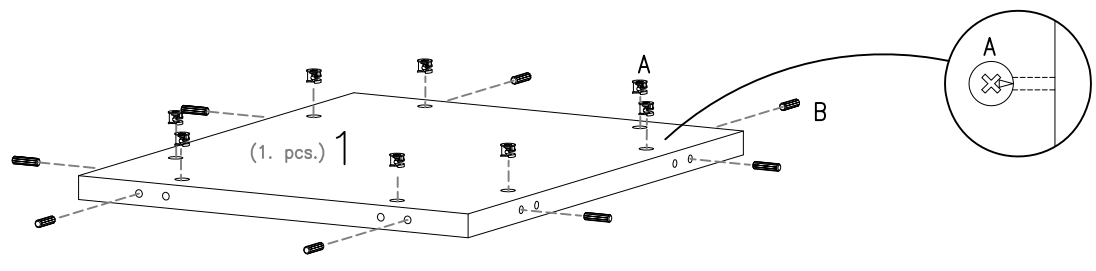


FIG. 2

- B X 12
ø8x30mm
- C X 2
ø3x11mm

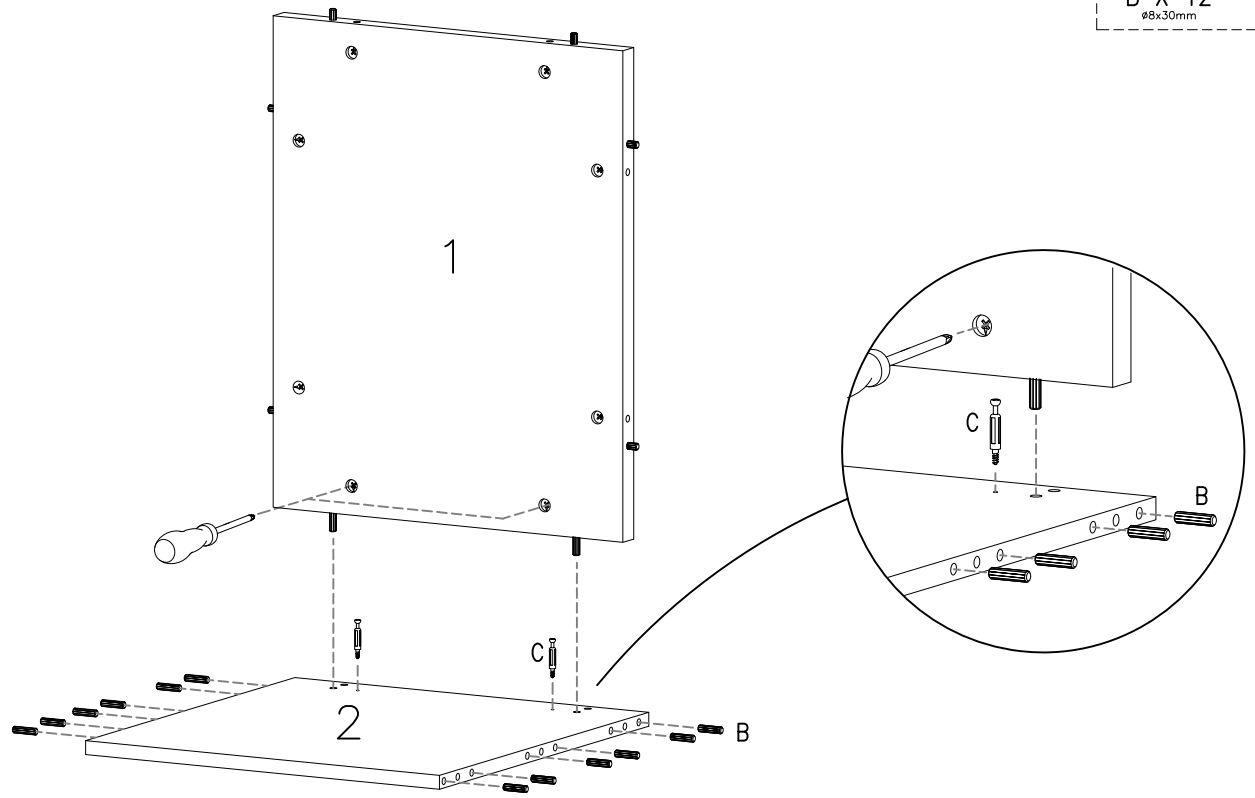


FIG. 3

- A X 6
15x12.5mm
- B X 8
ø8x30mm
- C X 10
ø3x11mm

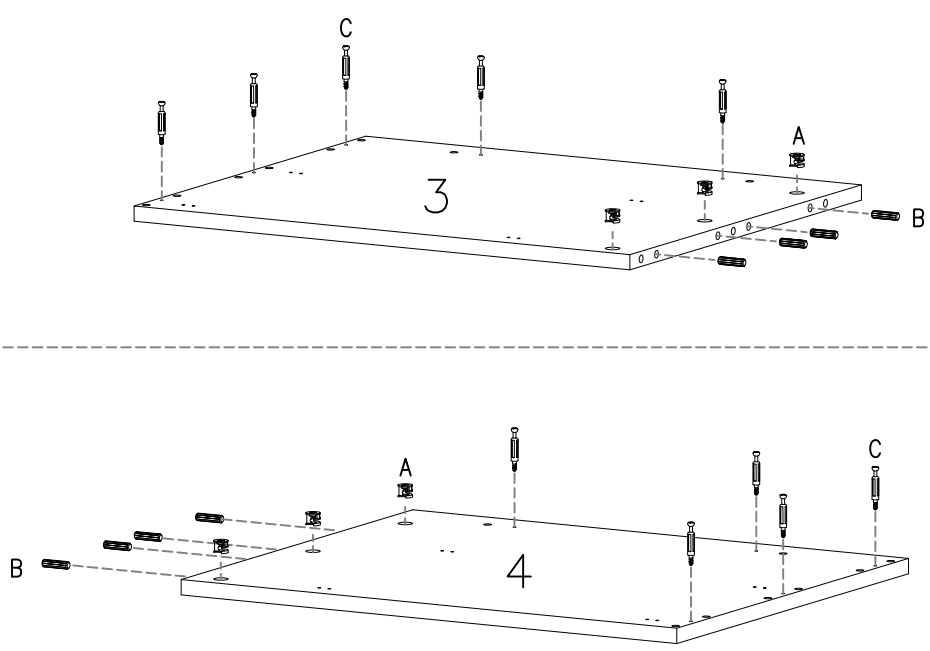


FIG. 4

A X 6
15x12.5mm

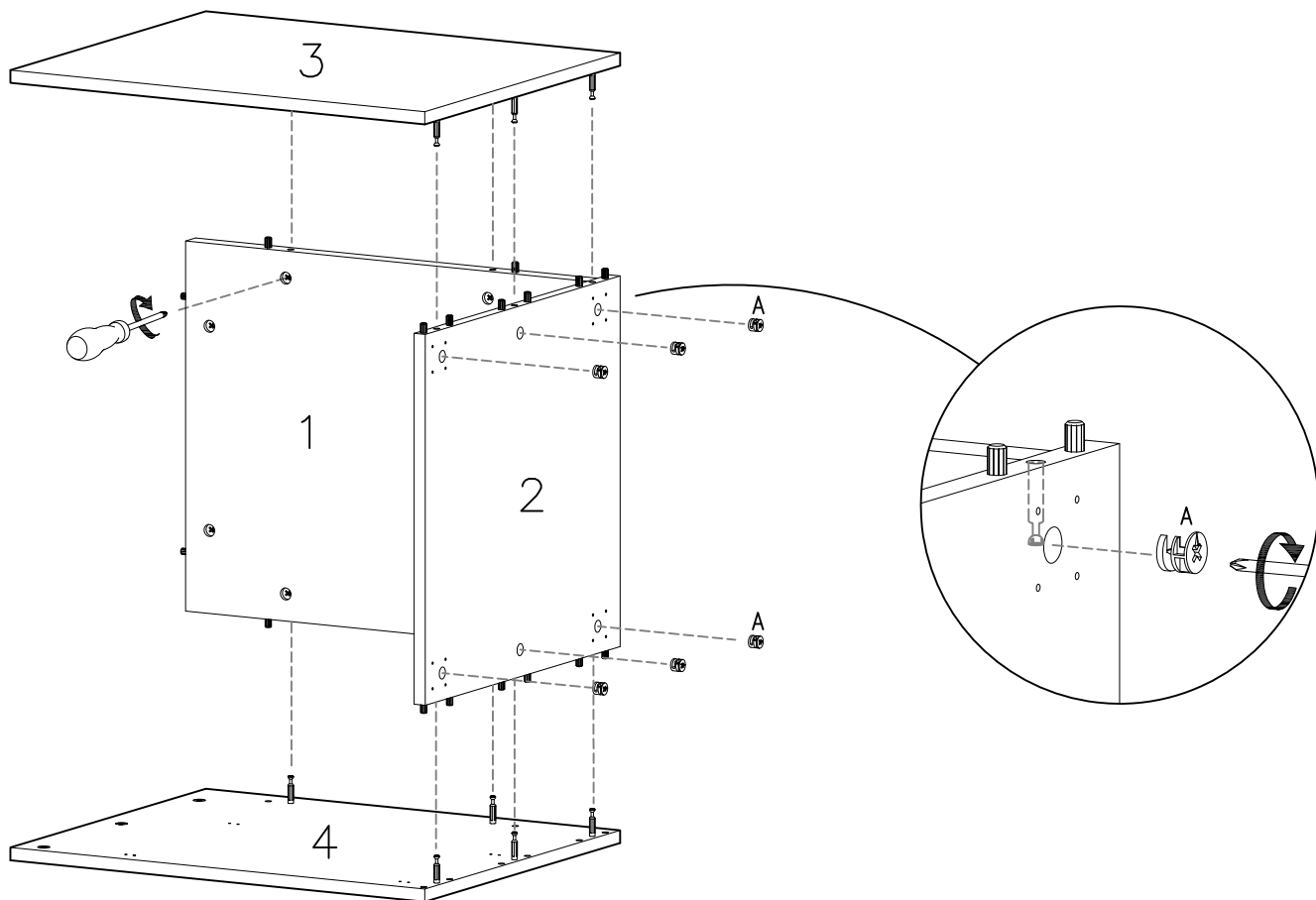


FIG. 5

D X 4 E X 16
4.5X15mm F X 4

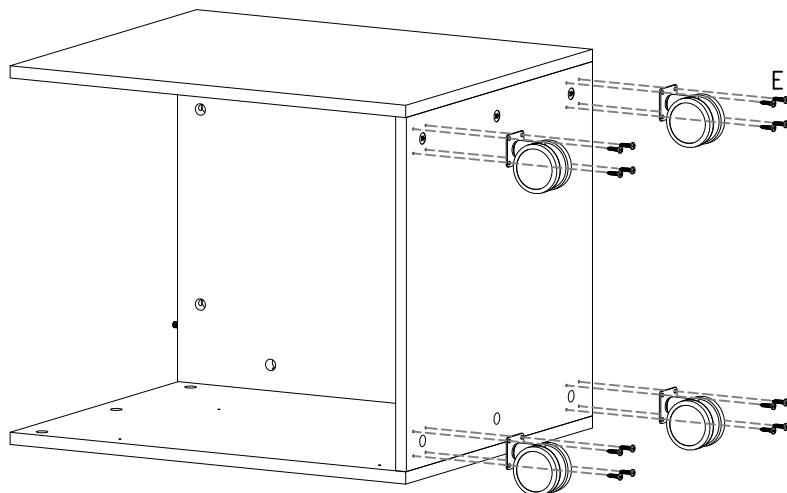
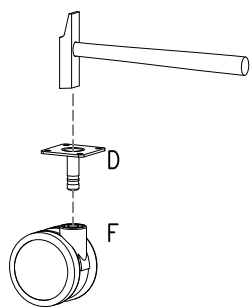


FIG. 6

B X 4
ø8x30mm

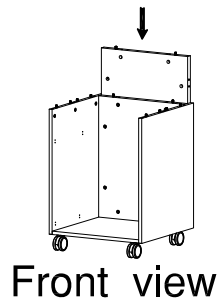
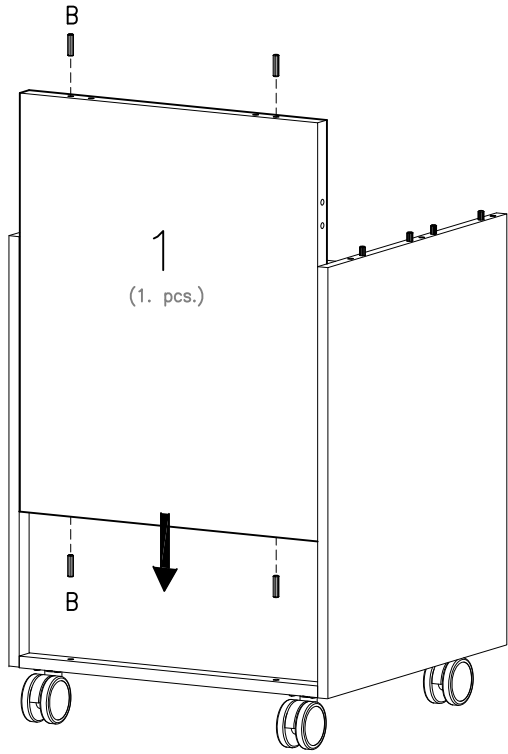


FIG. 7

C X 8
ø3x11mm

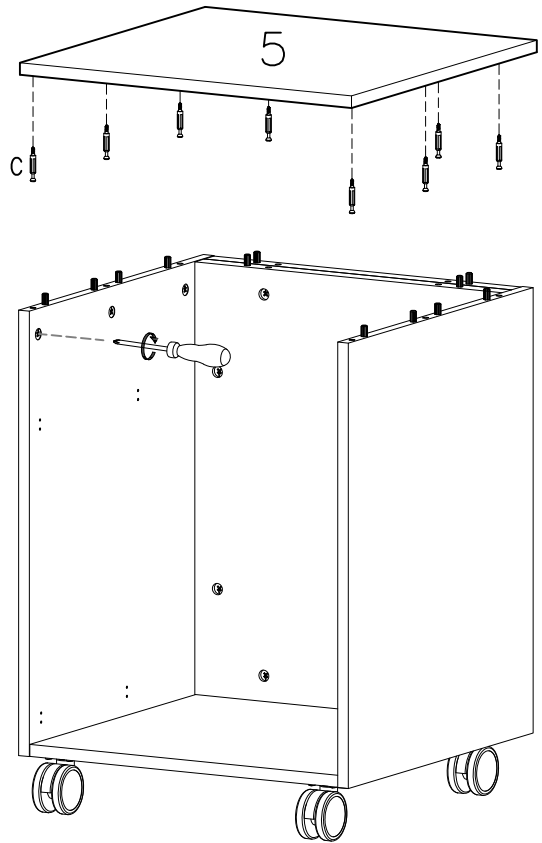


FIG. 8

G X 1 LEFT H X 1 RIGHT J X 1 LEFT K X 1 RIGHT L X 16
 13.5x4.2 mm

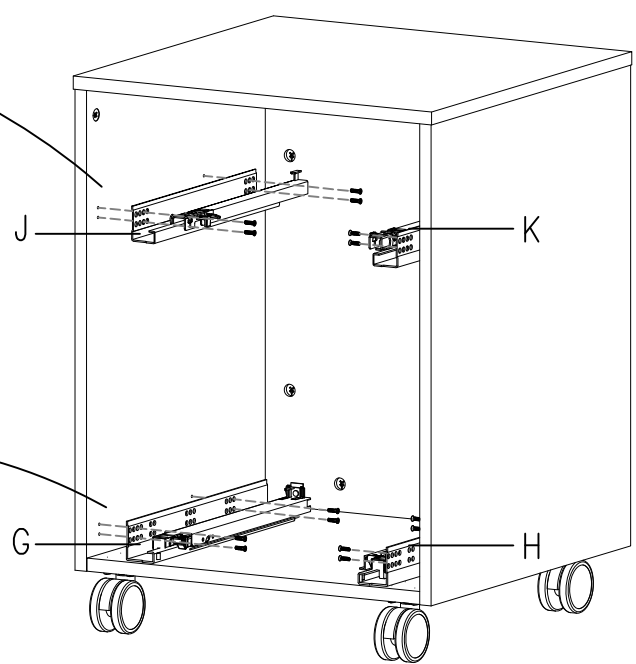
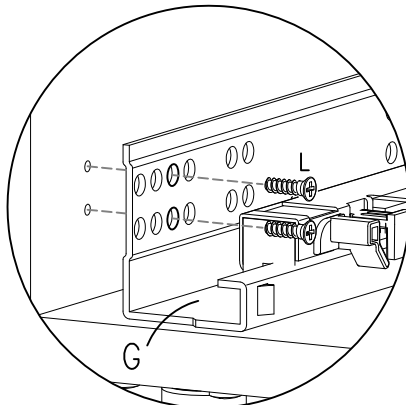
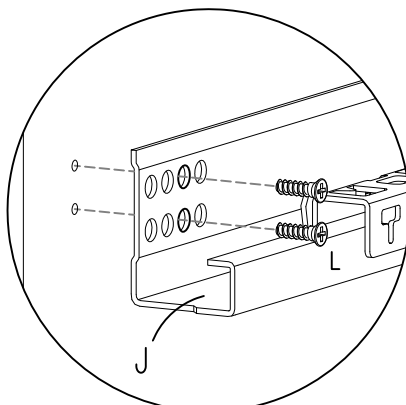


FIG. 9

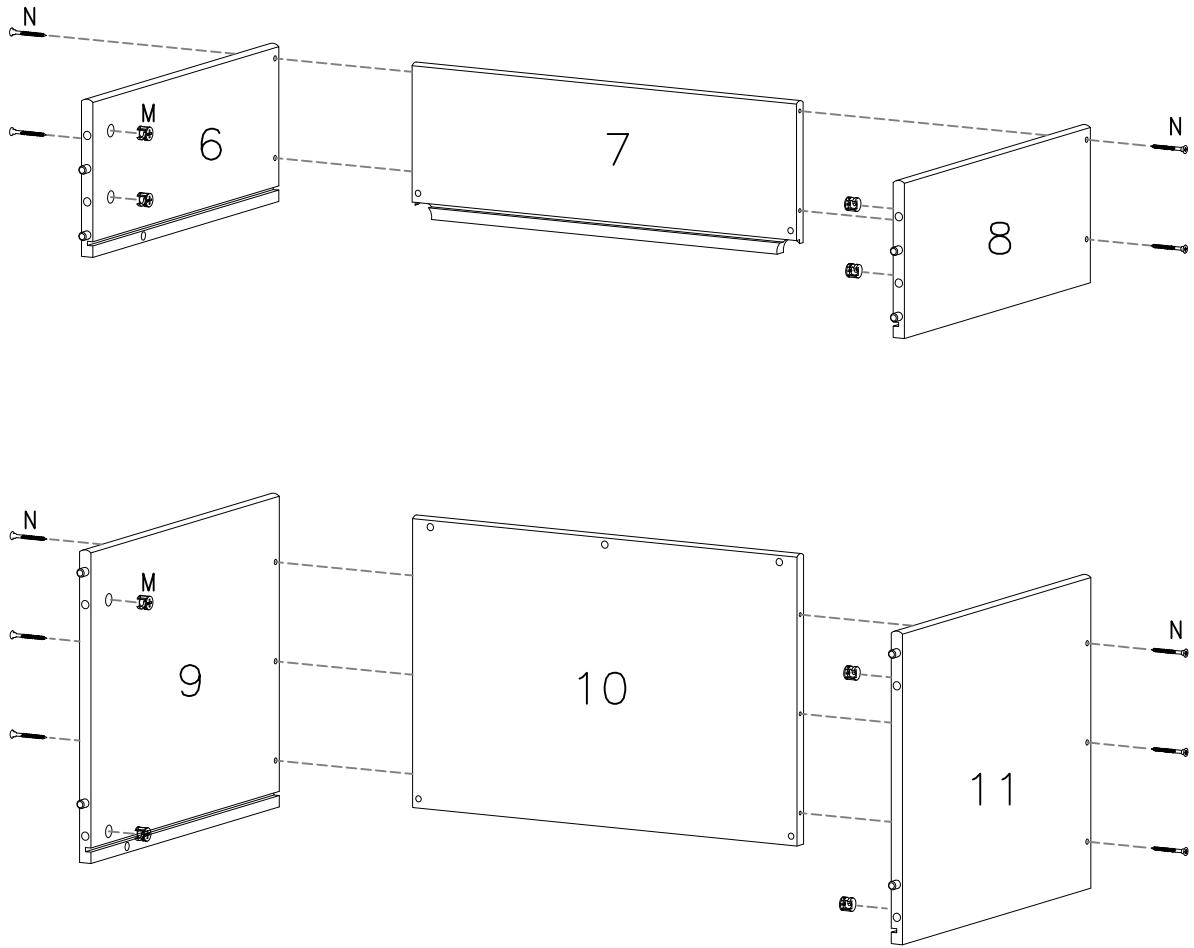
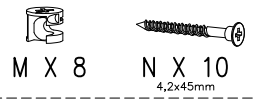
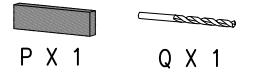
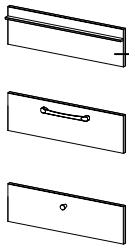


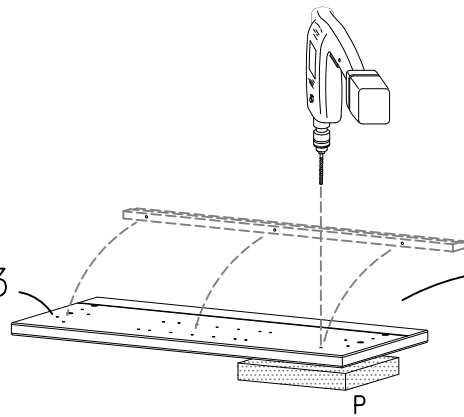
FIG. 10



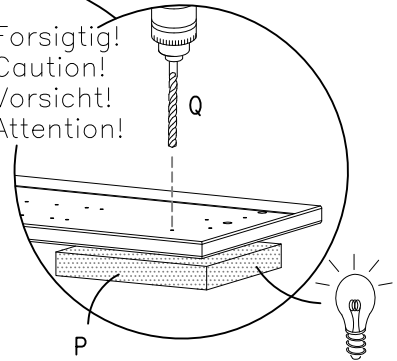
Example



12/13



Forsichtig!
Caution!
Vorsicht!
Attention!



12/13

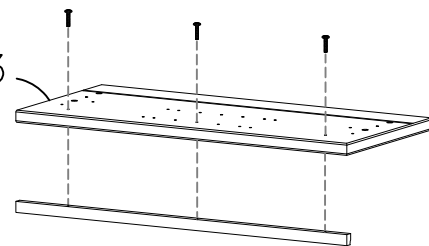
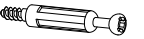


FIG. 11



C X 8
ø3x11mm

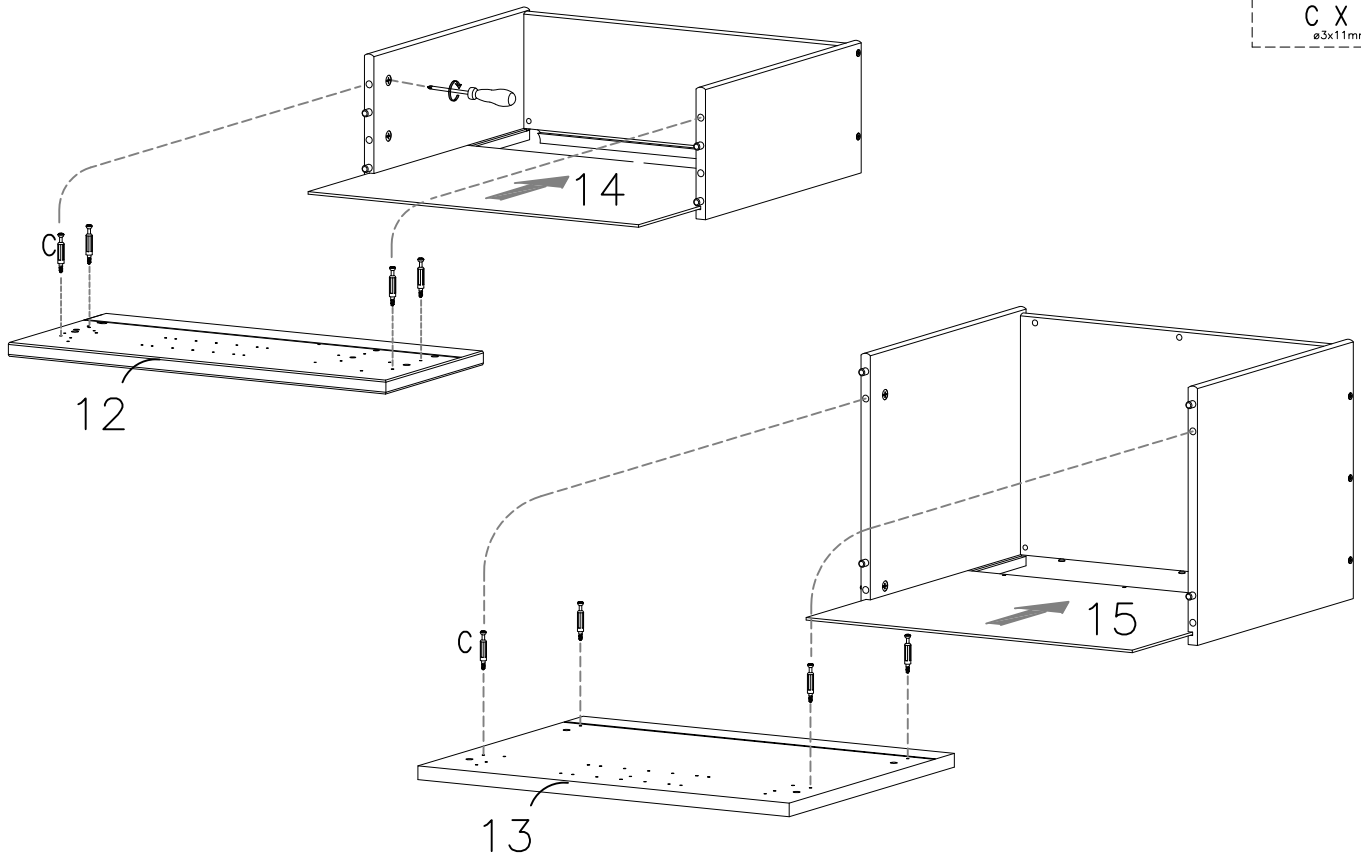
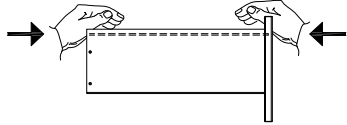


FIG. 12

Attention!



R X 4

S X 3
3,5x30mm

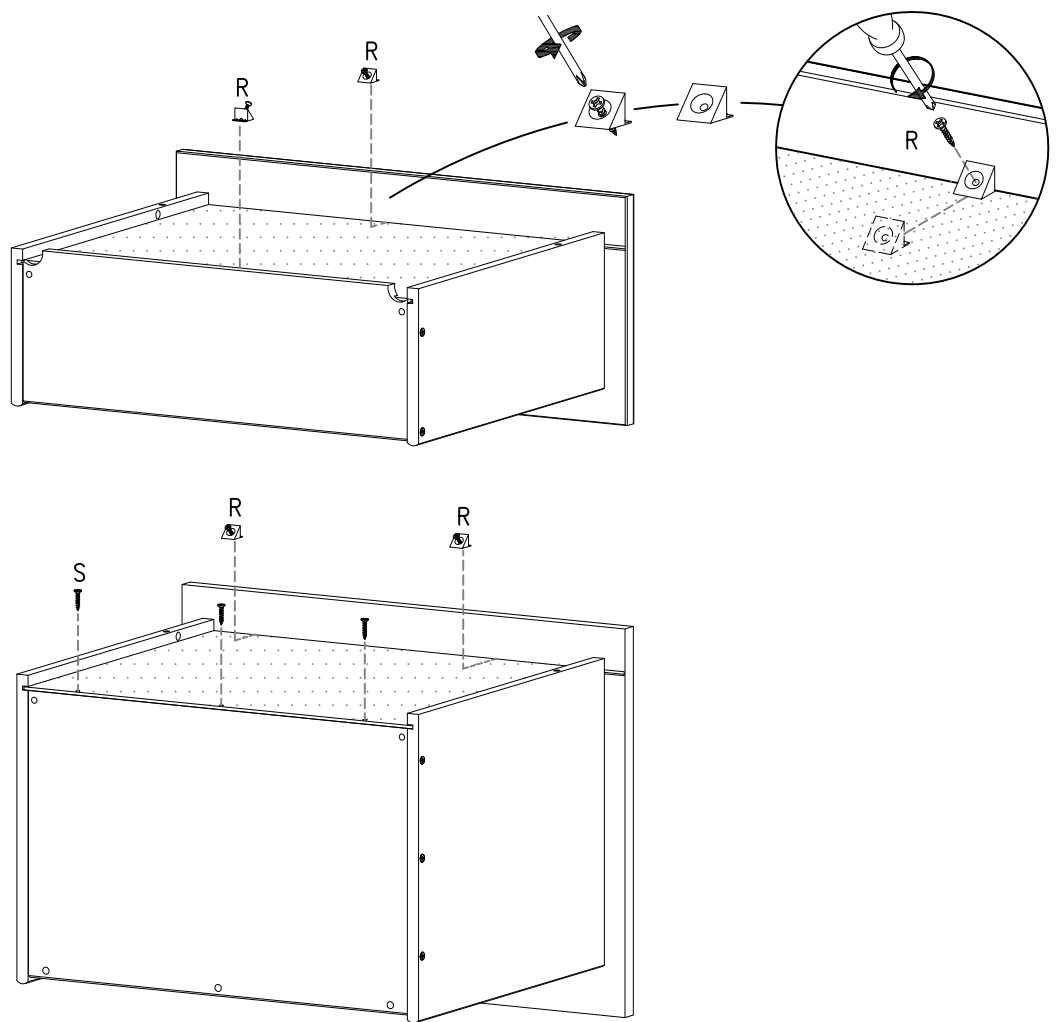
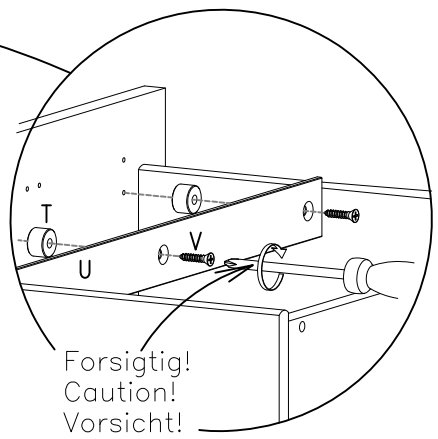
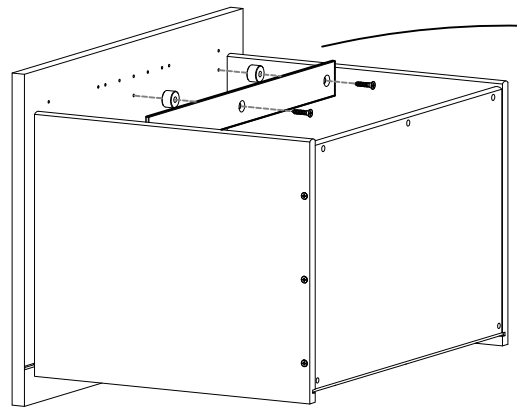


FIG. 13

- T X 3
12mm
- U X 1
421x40x4mm
- V X 3
5.0x25mm

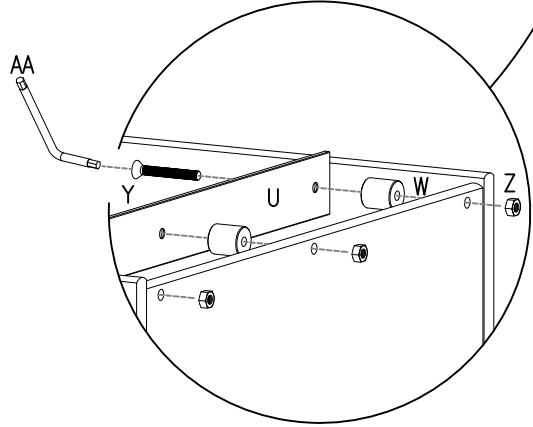
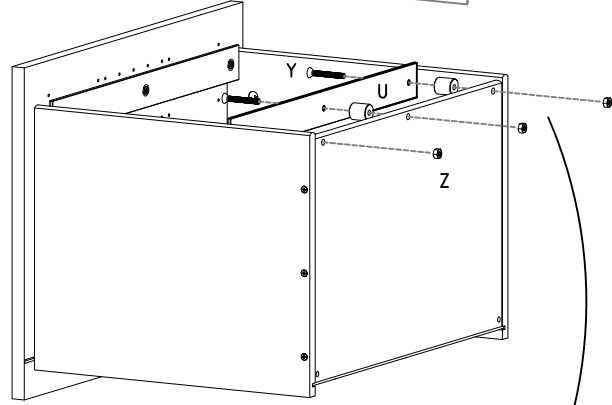
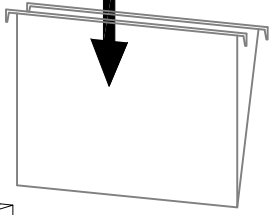


Forsichtig!
Caution!
Vorsicht!
Attention!

FIG. 14

- Y X 3
M6x45mm
- U X 1
421x40x4mm
- W X 3
21mm
- Z X 3
M6
- AA X 1

US



- Y X 3
M6x45mm
- U X 1
421x40x4mm
- Z X 3
M6
- AA X 1

EU

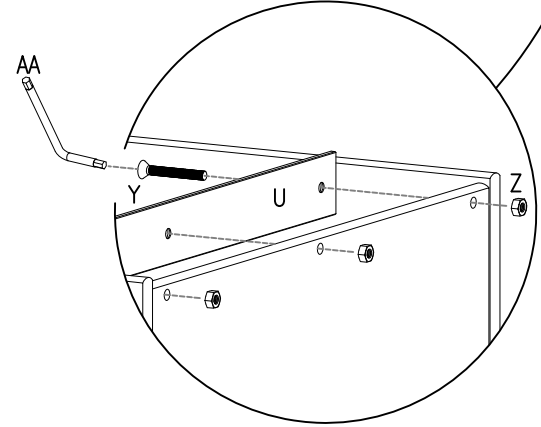
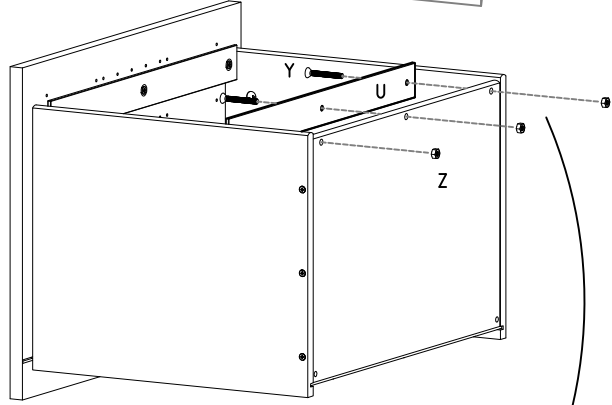
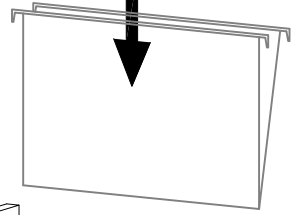


FIG. 15

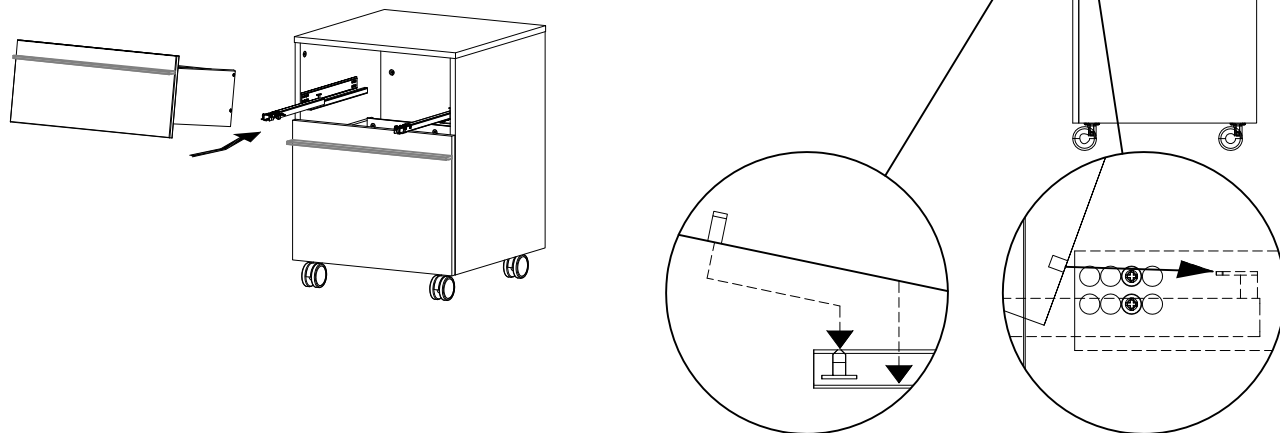
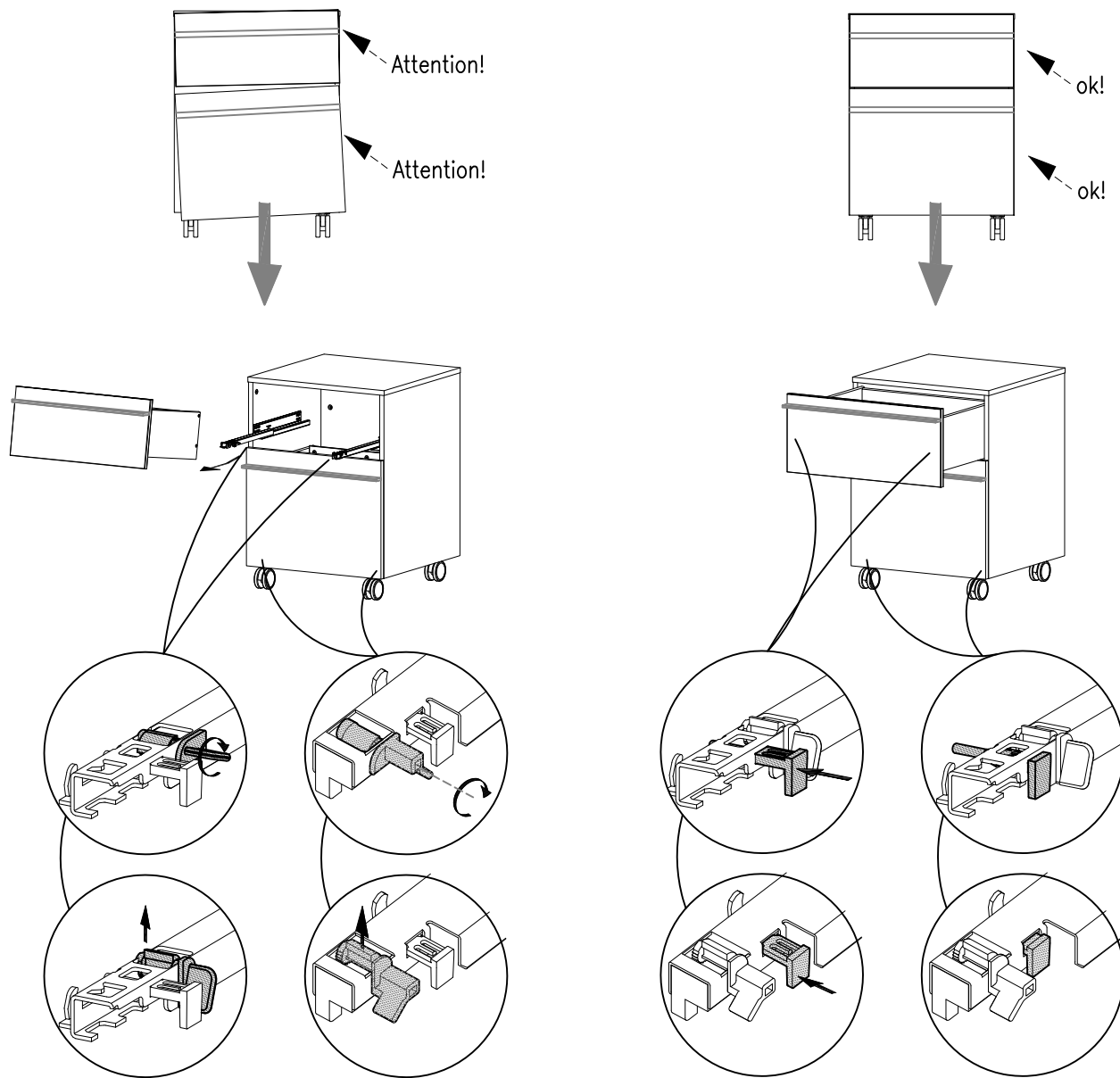


FIG. 16



DK Ved reklamation oplyses følgende:
 D Im Reklamationsfall, bitte folgendes erläutern:
 US In case of claims, please state the following:
 F En cas de réclamation, veuillez indiquer:
 NL Bij service volgene mededelen
 E En caso de reclamacion, indicar lo siguiente:
 P No caso de reclamação, por favor indique o seguinte:
 JP お気づきの点等ございましたら、以下の点をお知らせください。

Example!

Korpus - Korpus - Carcase - Carcasse			Beslag - Fittings - Beschläge - Set de Montage		
			A X 8 1972000014	B X 12 1972000004	C X 4 1979110830
			C X 2 1970120000	H X 2 1978504022	J X 8 1978204210