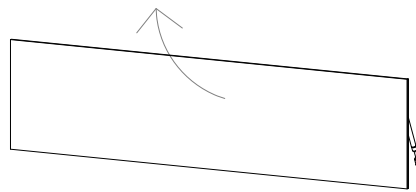


Lugano

Design by BoConcept

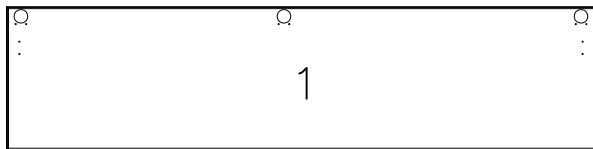
Samvejledning - Assembly Instructions - Montageanleitung - Instructions d'assemblage - Instrucciones de montaje



8550

37,0x152,2x1,6 cm

col.1 / no. 8551

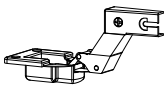


002946

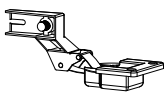
Værktøj - Werkzeuge - Tools - Outils



col.2 / no. 8552



A X 1
970001404
left



B X 2
970001326
right



C X 6
970001095
3,5x15mm



D X 2
970001046



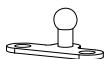
E X 4
970001420
4,0x15mm



F X 2
970001402



G X 2
970001403



J X 2
970001327



K X 4
970001419
ø6,2x13mm



L X 3
970001325



M X 1
970001460
ø19x3mm

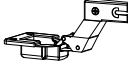



N X 2
970001330
302,5mm/up



P X 1
970001512 grey/white
970001513 grey/black

FIG. 1

- 
A X 1
left
- 
B X 2
right
- 
C X 6
3,5x15mm
- 
D X 2
- 
E X 4
4,0x15mm

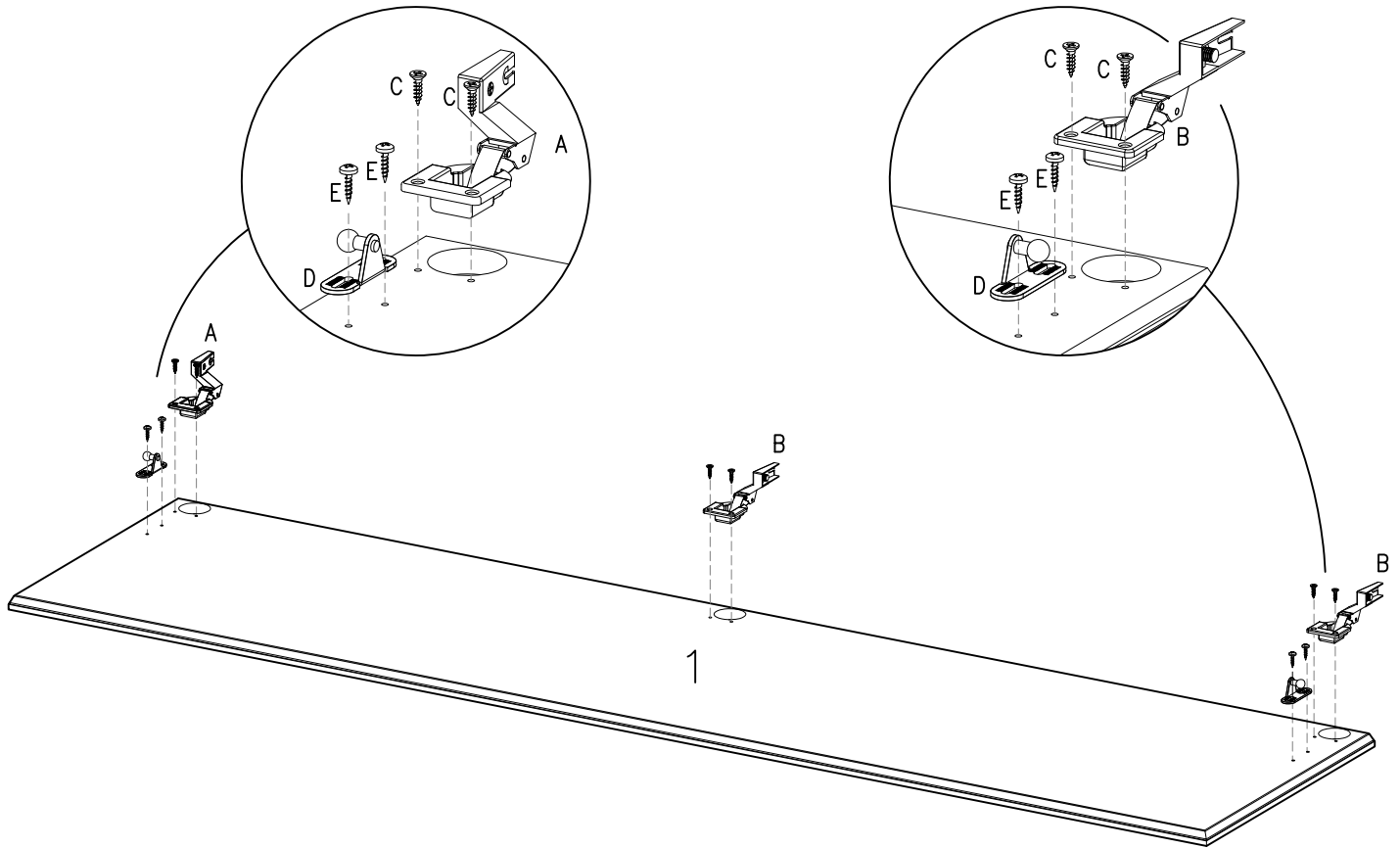





FIG. 2

- 
F X 2
- 
G X 2
- 
P X 1

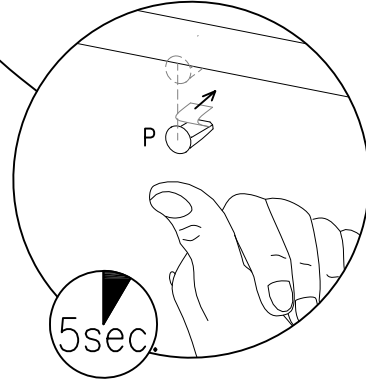
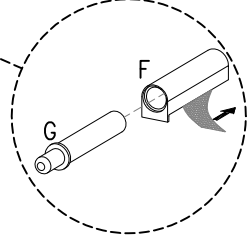
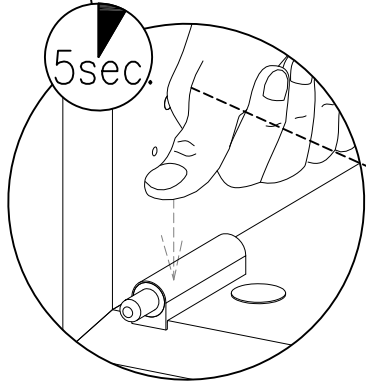
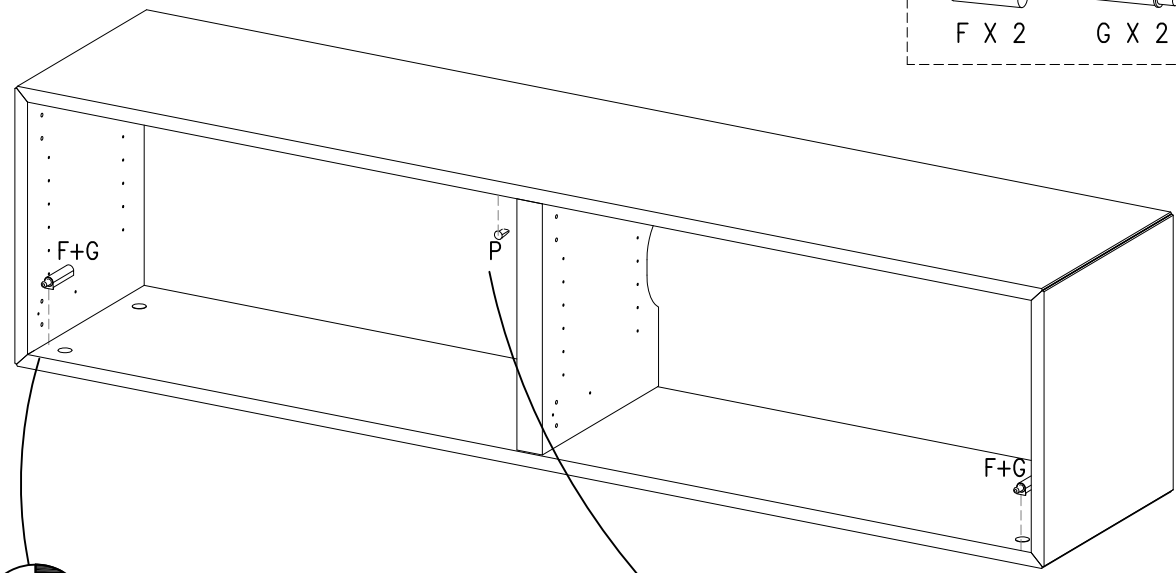


FIG. 3

- 
 J X 2
- 
 K X 4
ø6,2x13mm
- 
 L X 3

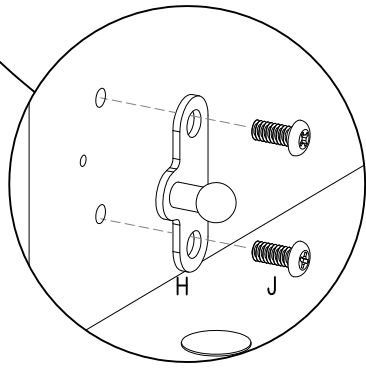
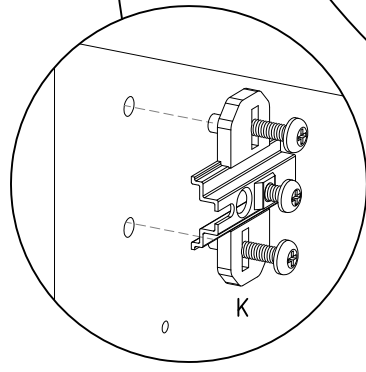
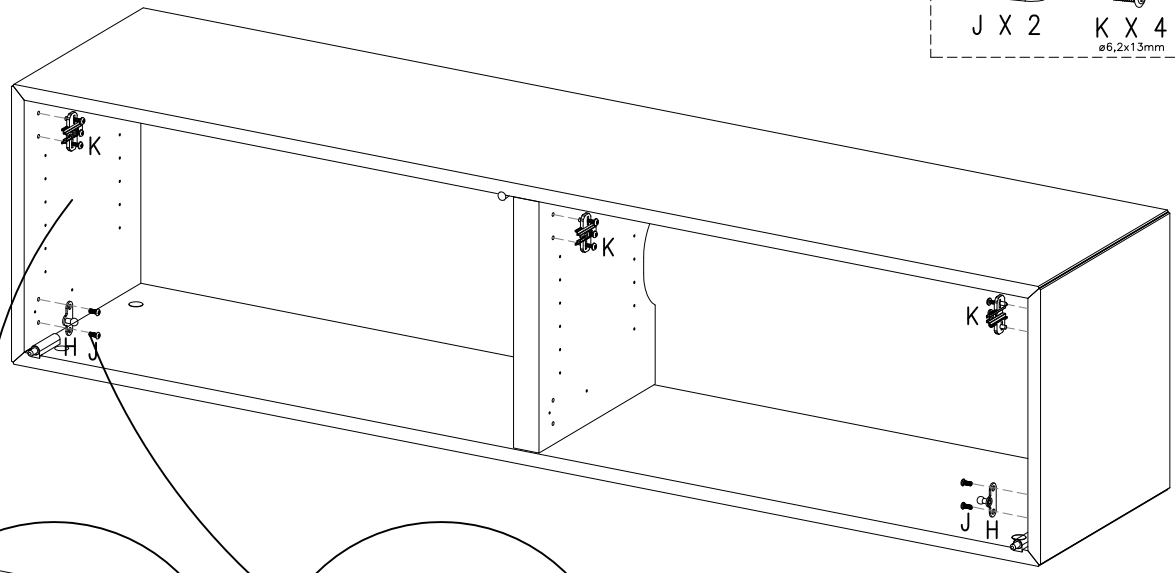


FIG. 4

- 
 M X 1
Ø19x3mm

