

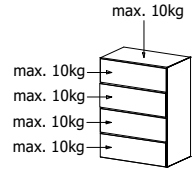
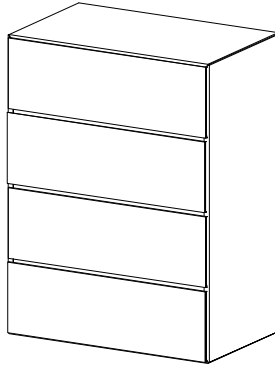
Lugano

Design by BoConcept

Samvejledning - Assembly Instructions - Montageanleitung - Instructions d'assemblage - Instrucciones de montaje

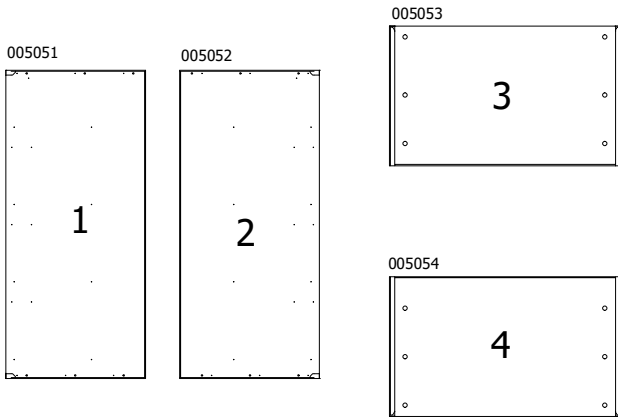
3500

102,4x76,8x48,0 cm / max. 50kg.

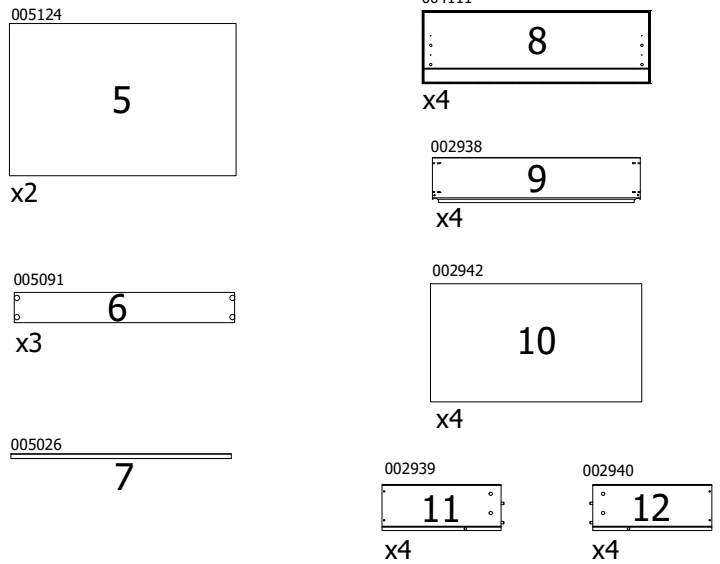


Korpus - Korpus - Carcasse - Carcasse

Colli no. 3501

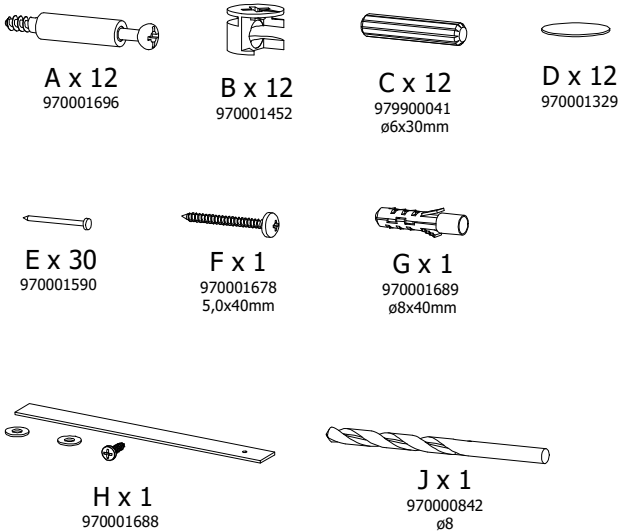


Colli no. 3502

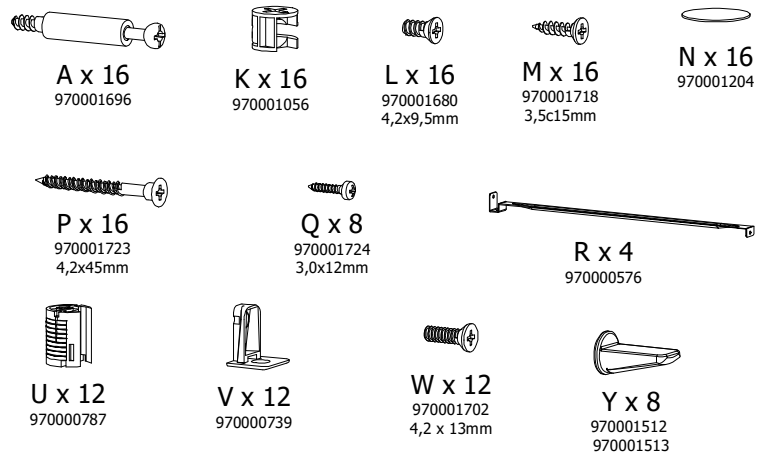


Beslag - Beschlage - Fittings - Set de montage

Colli no. 3501 - Fittingbox: 930000993



Colli no. 3502 - Fittingbox:930000994



Fittingbox: 930000020 x4



Værktøj - Werkzeuge - Tools - Outils

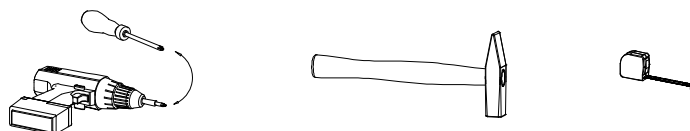
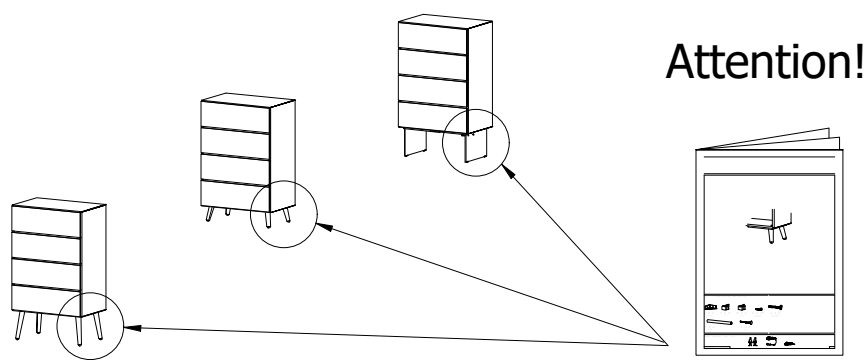
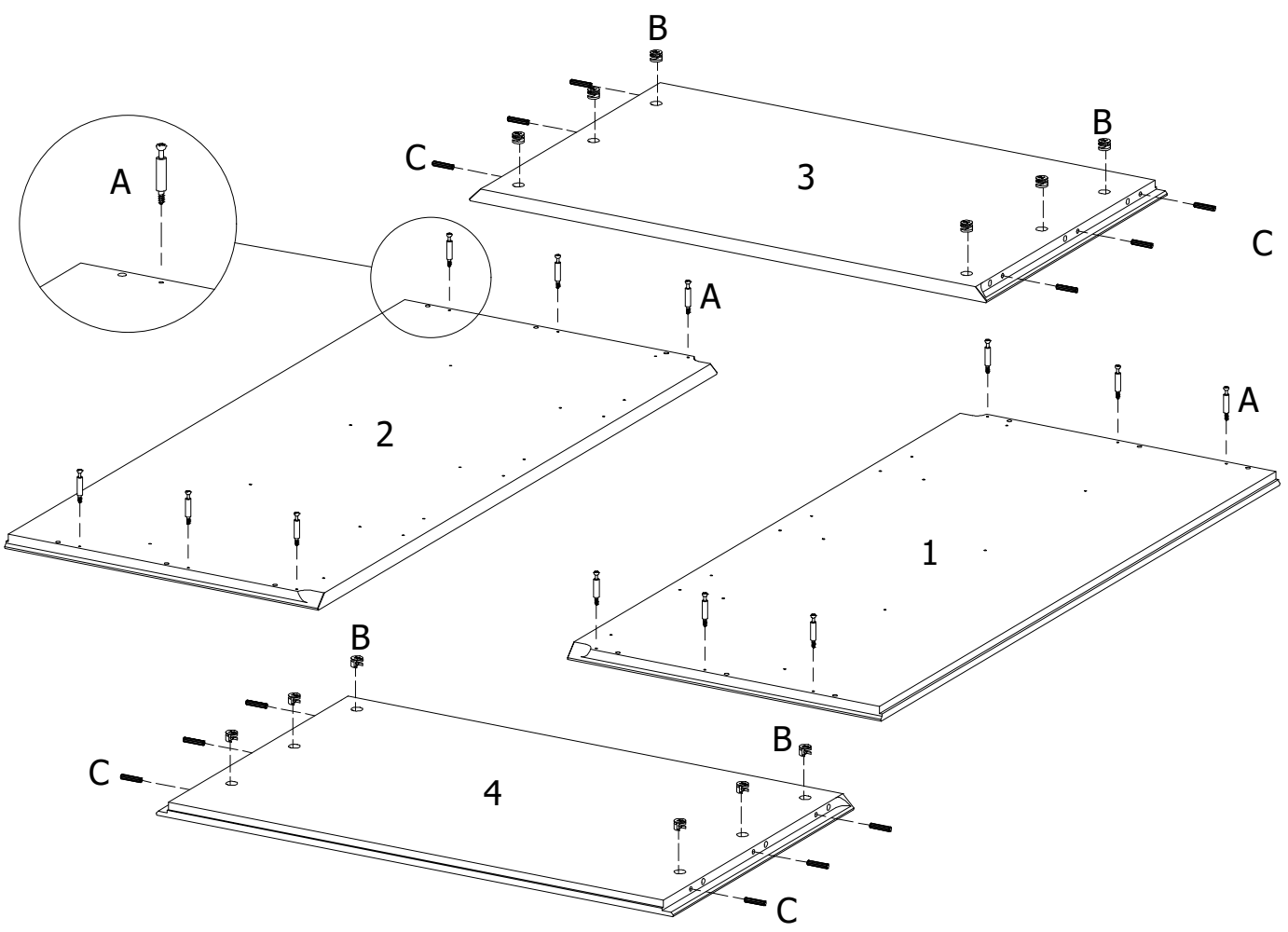
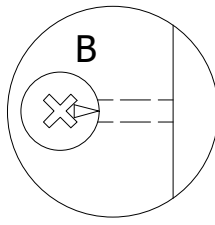
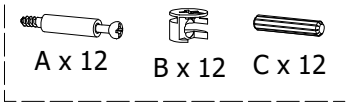


FIG. 1



Attention!

FIG. 2

D x 12

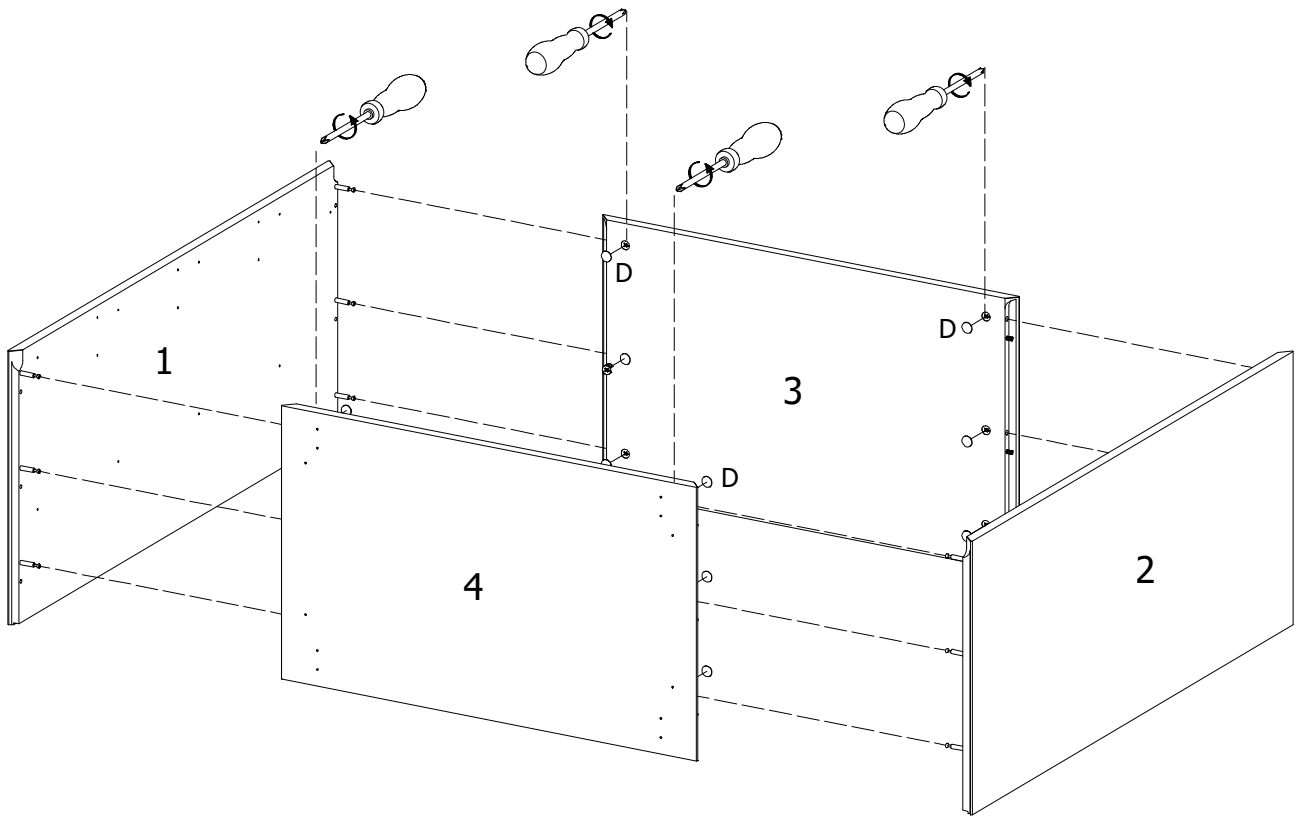


FIG. 3

E x 30

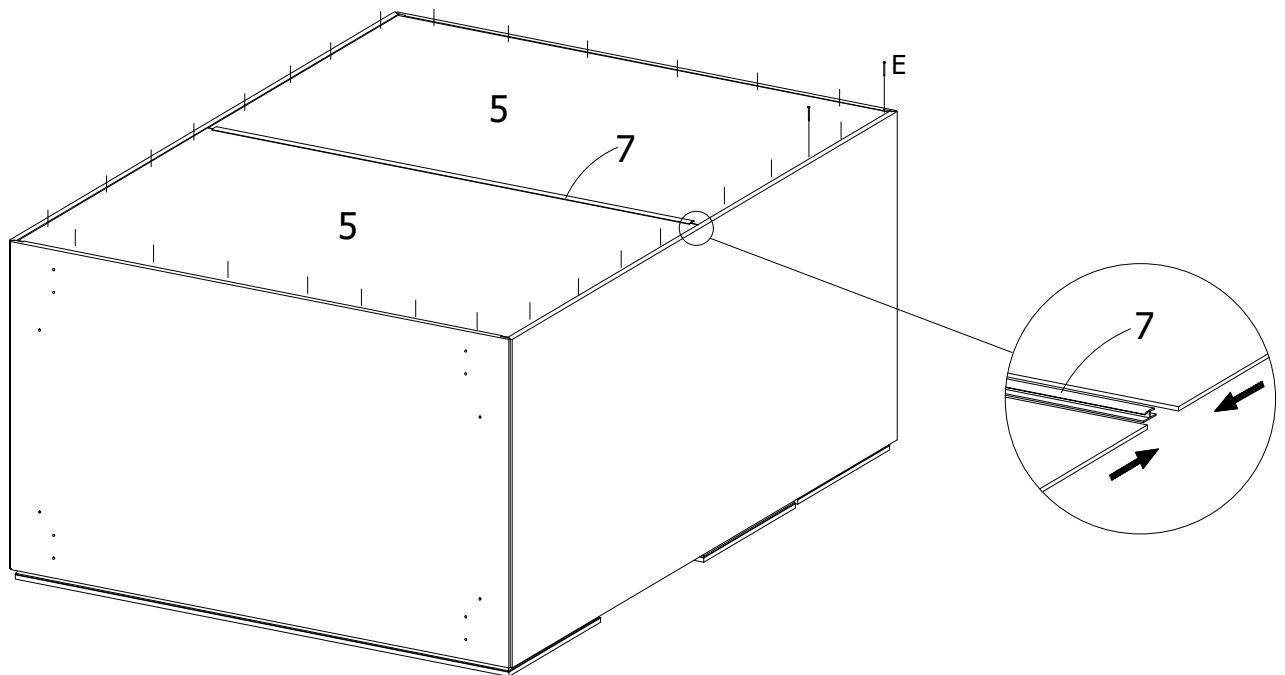
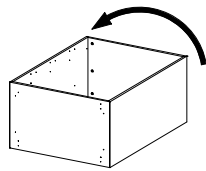


FIG. 4

U x 12 V x 12 W x 12

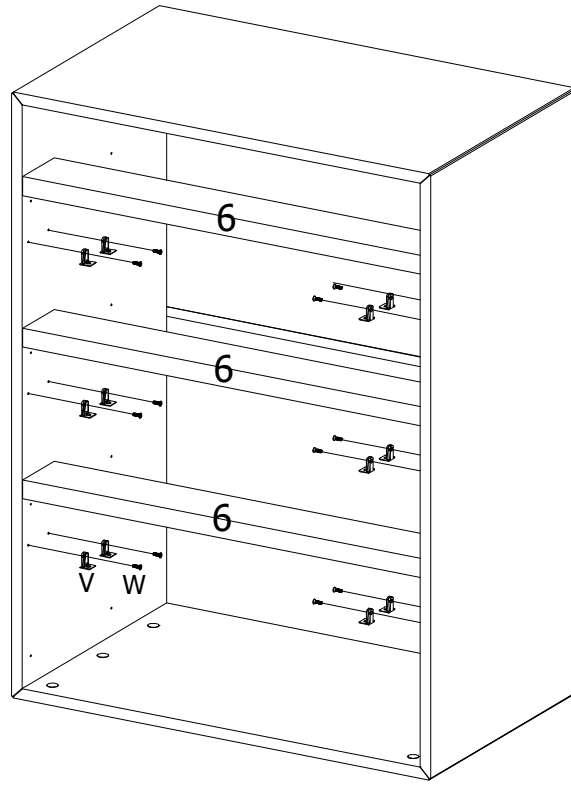
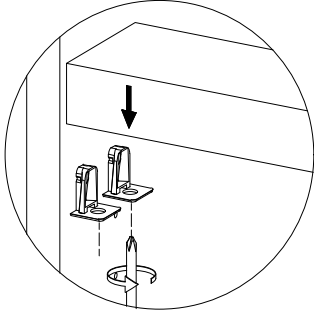
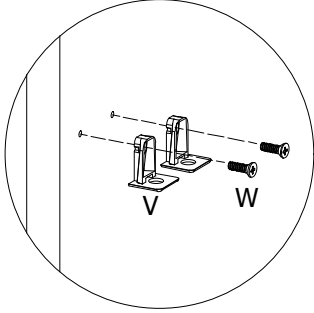
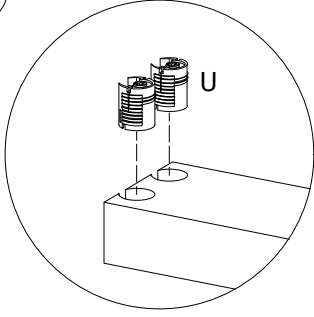


FIG. 5

Y x 8

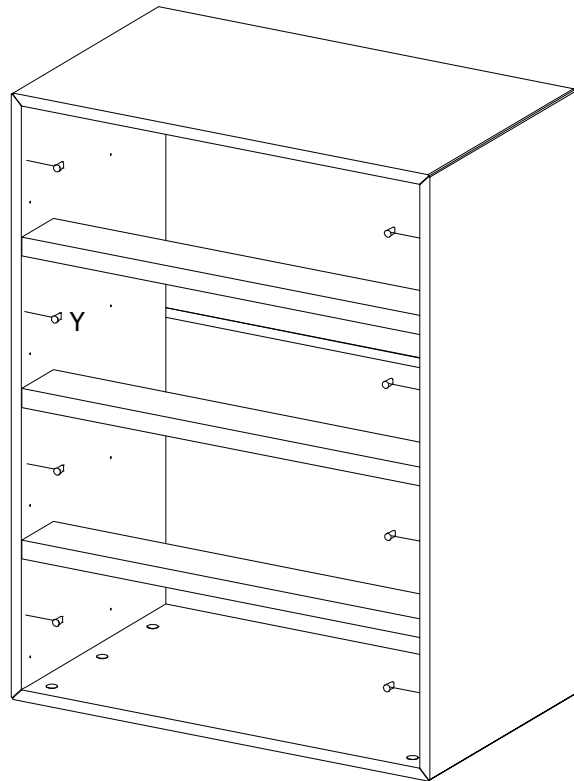
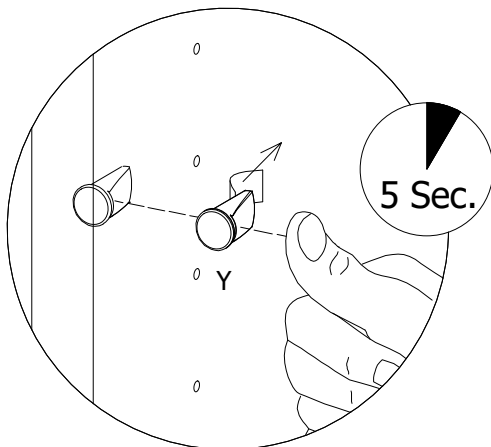






FIG. 6

- 
S x 4
- 
T x 4
- 
L x 16
- 
M x 16

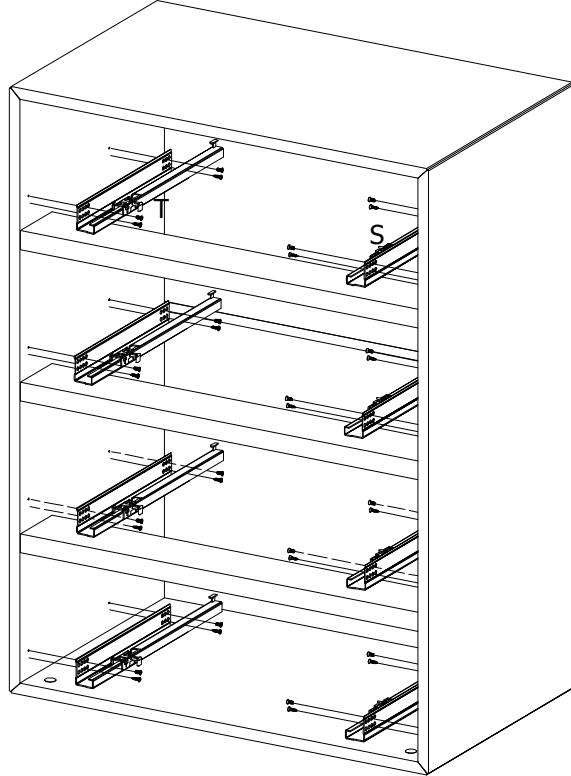
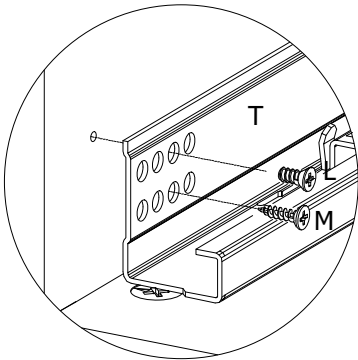
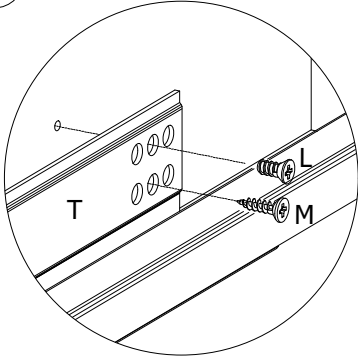
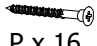


FIG. 7

- 
P x 16

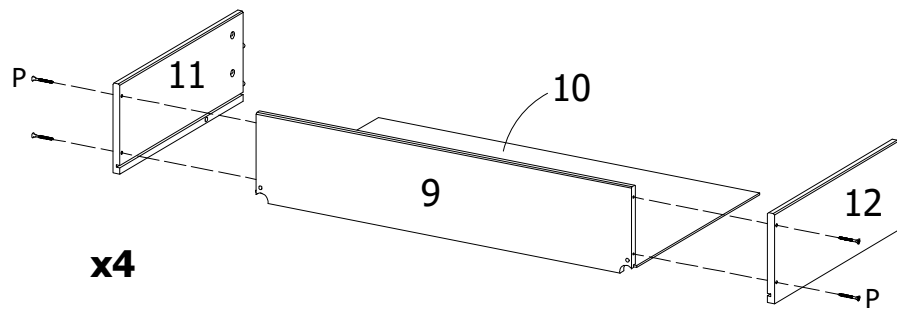


FIG. 8

- 
A x 16
- 
K x 16
- 
N x 16

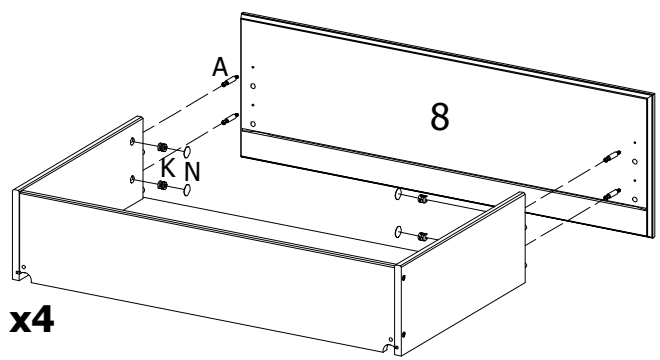
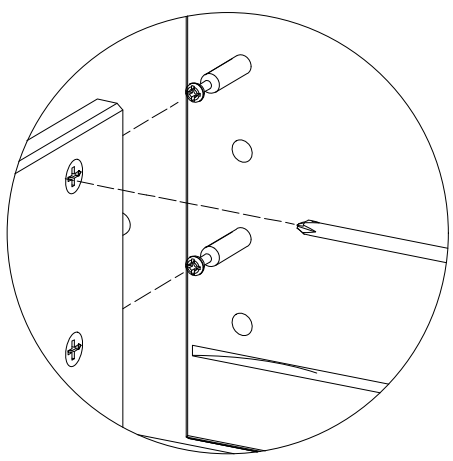


FIG. 9

Q x 8 R x 4

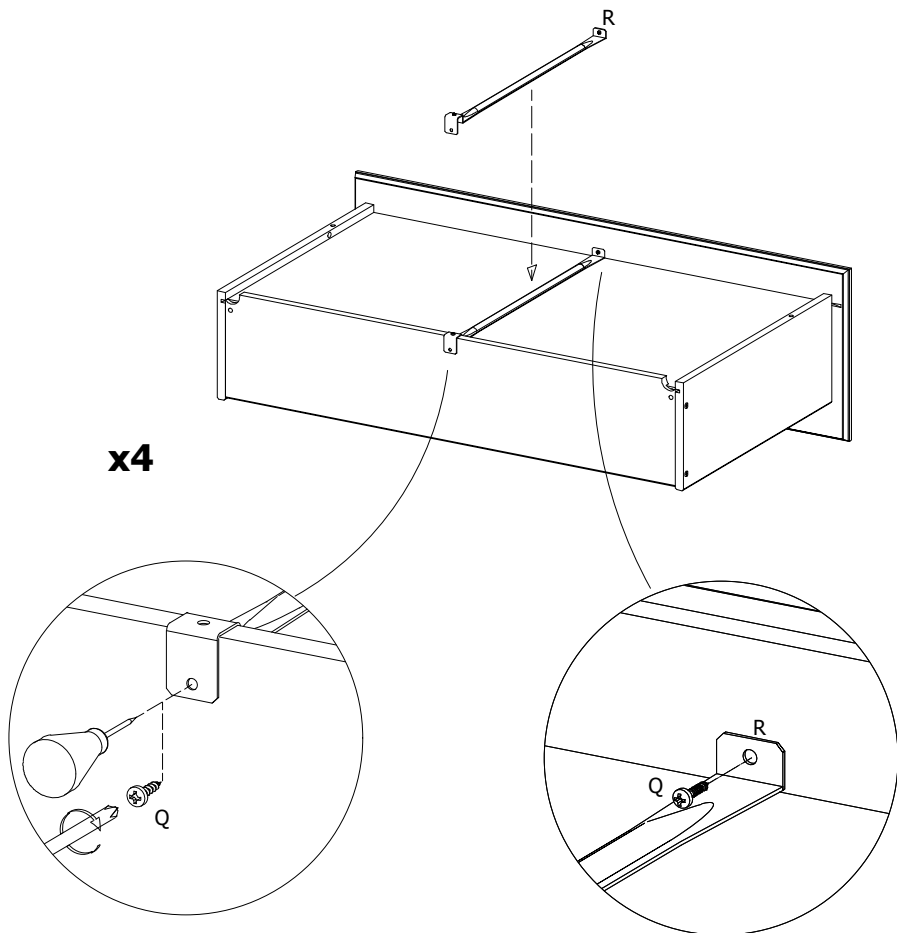
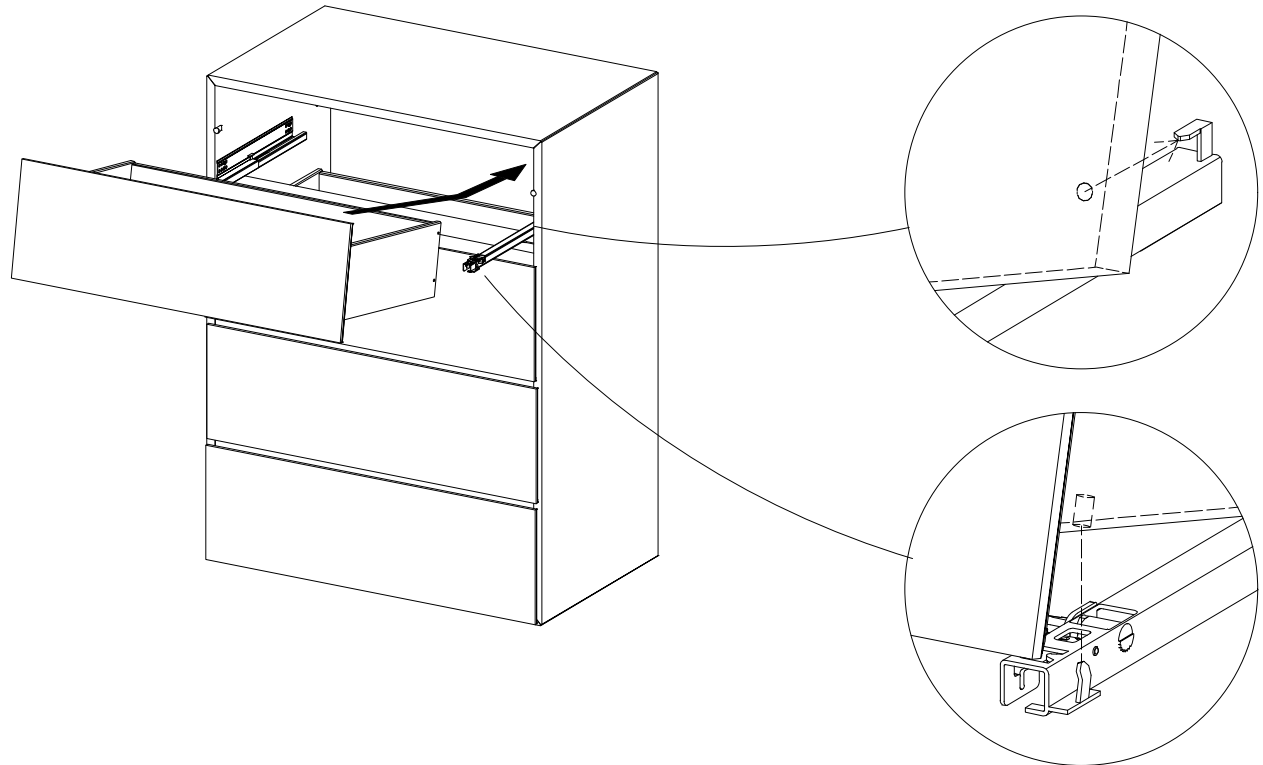


FIG. 10



Attention

Ok

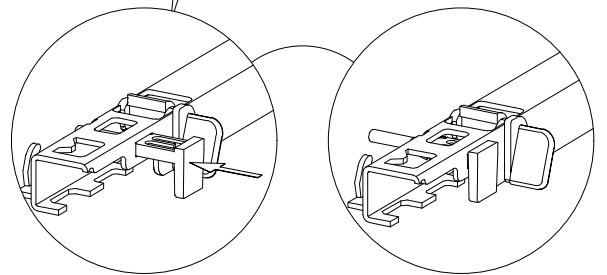
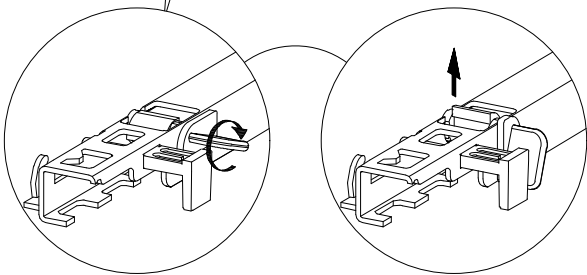
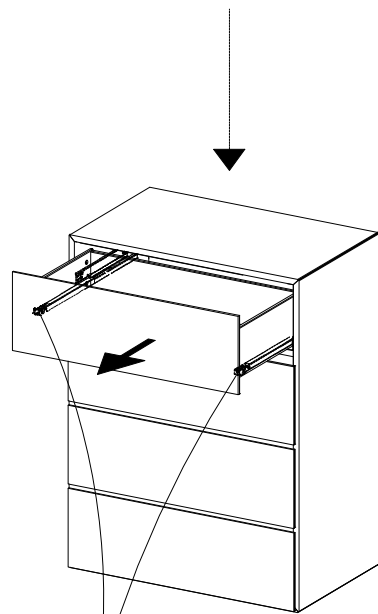
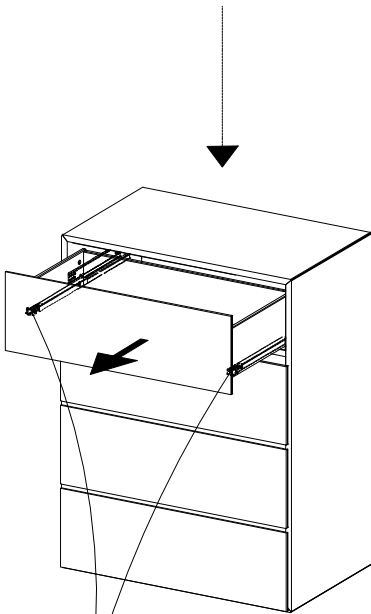
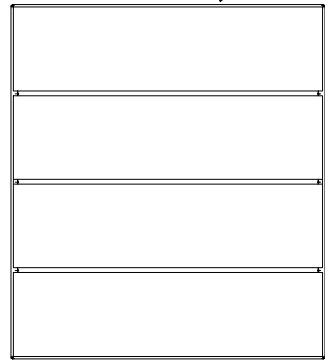
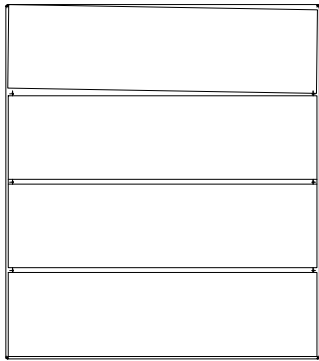
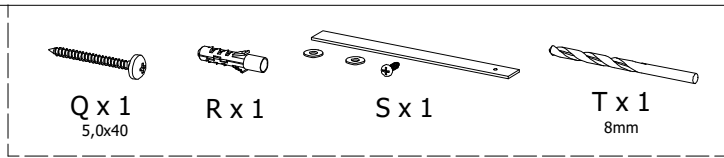
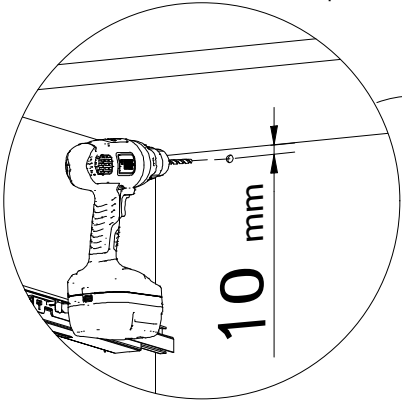


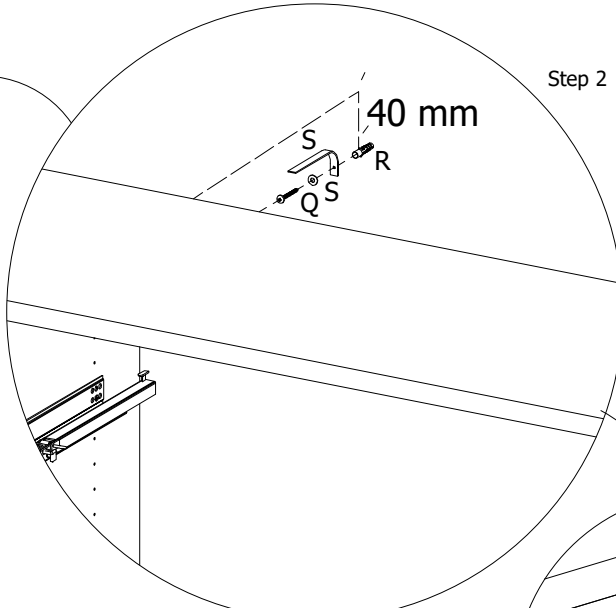
FIG. 12



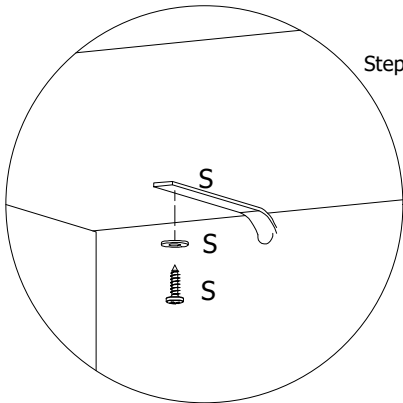
Step 1



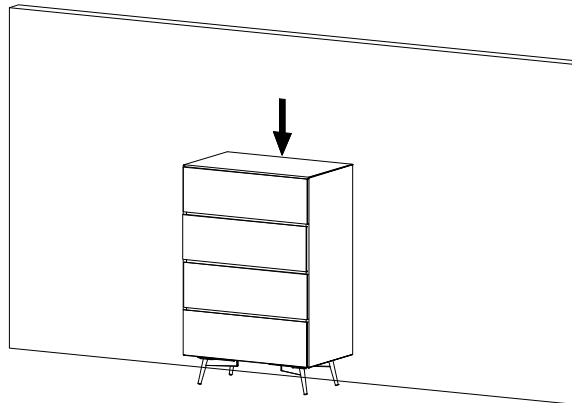
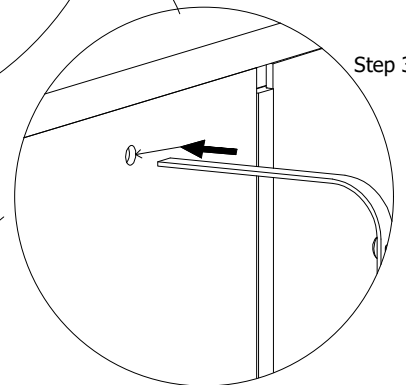
Step 2



Step 4



Step 3



DK:
Vægforhold kan bevirke, at det ikke er tilrådeligt at benytte de medfølgende skruer/rawlplugs.

F:
Veuillez noter que les vis ou les chevilles jointes ne conviennent pas à tous les types de mur.

US:
The condition of the wall may mean that it is inadvisable to use the enclosed screws and rawlplugs.

NL:
Er zijn muren waarin het niet valt aan te bevelen om de bijgevoegde schroeven/rawlplugs te gebruiken.

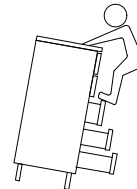
D:
Die Wandbeschaffenheit kann ggf. dazu führen, dass eine Verwendung der beigefügten Schrauben/Dübel nicht ratsam ist.

P:
As condições da parede podem fazer com que seja recomendável utilizar os parafusos/buchas de fundo incluídos.

E:
Las condiciones de la pared pueden dar lugar a que no sea recomendable utilizar los tornillos/tacos adjuntos.

WARNING!!!

DO NOT allow children to climb on unit. Open one drawer at a time.



- DK Ved reklamation oplyses følgende:
- D Im Reklamationsfall, bitte folgendes erläutern:
- US In case of claims, please state the following:
- F En cas de réclamation, veuillez indiquer:
- NL Bij service volgene mededelen
- E En caso de reclamación, indicar lo siguiente:
- P No caso de reclamação, por favor indique o seguinte:
- JP お気づきの点等ございましたら、以下の点をお知らせください。

Example!

Korpus - Korpus - Carcase - Carcasse			Beslag - Fittings - Beschläge - Set de Montage		

Serious or fatal crushing injuries can occur from furniture tipover. To help prevent tipover:

- Install topper restraint provided.
 - Place heaviest items in the lower drawers.
 - Unless specifically designed to accommodate, do not set TVs or other heavy objects on top of this product.
 - Never allow children to climb or hang on drawers, doors or shelves.
 - Never open more than one drawer at a time.
- (OR)
- Do not defeat or remove the drawer interlock system.

Use of tipover restraints may only reduce, but not eliminate, the risk of tipover.

This is a permanent label. Do not remove.