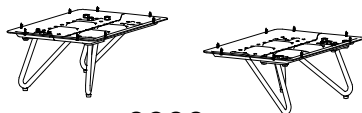


Lugano

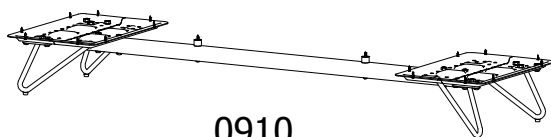
Design by BoConcept

Samlevejledning - Assembly Instructions - Montageanleitung - Instructions d'assemblage - Instrucciones de montaje



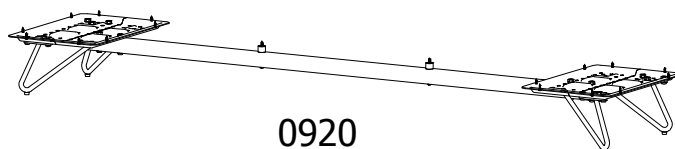
0900

H: 16,0 cm



0910

H: 16,0 cm



0920

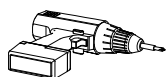
H: 16,0 cm



0930

H: 16,0 cm

Værktøj - Werkzeuge -
Tools - Outils

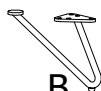


Coll. 1



A

002859
Mounting plate



B

004350
Leg



C

979900200
M8x 16 mm



D

979900194
Washer



E

970000883
M8 Nut



F

970000786
4,0 x 16 mm



G

1979300005
5 mm



H

1979310000
13 mm

Coll. 2



J

979900251
M8 x 50 mm



K

970001118
Washer
5,0 x 70 mm



L

970000838
5,0 x 70 mm



D

979900194
Washer



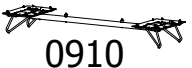
E

970000883
M8 Nut



M

no. 0610 = 002870
no. 0620 = 002868
no. 0630 = 002863



0910
Example



A



B



C



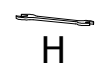
D



E

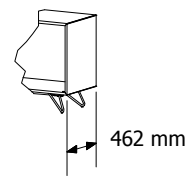


G

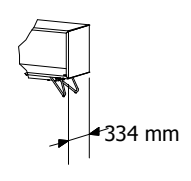


H

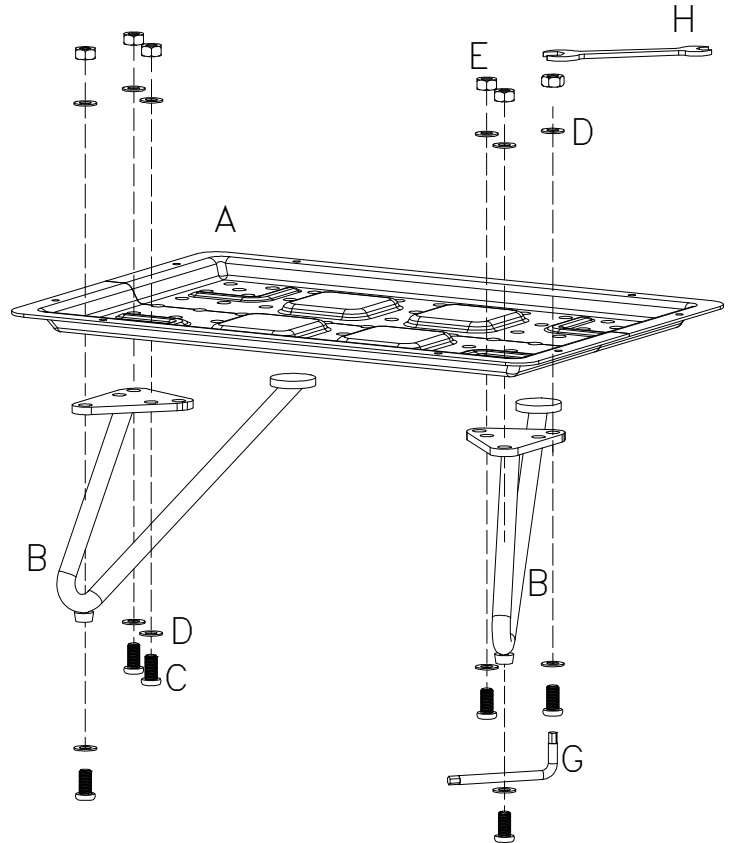
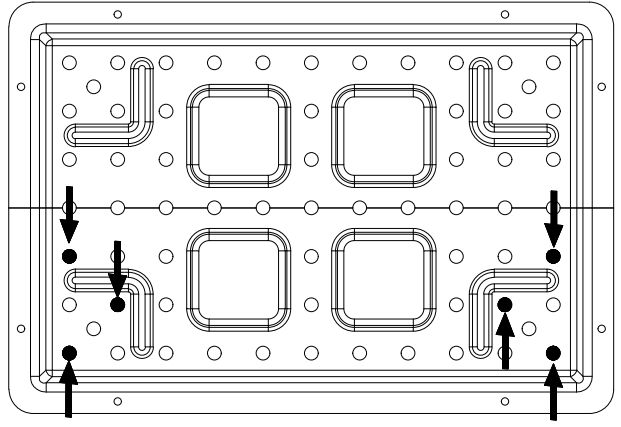
Example A



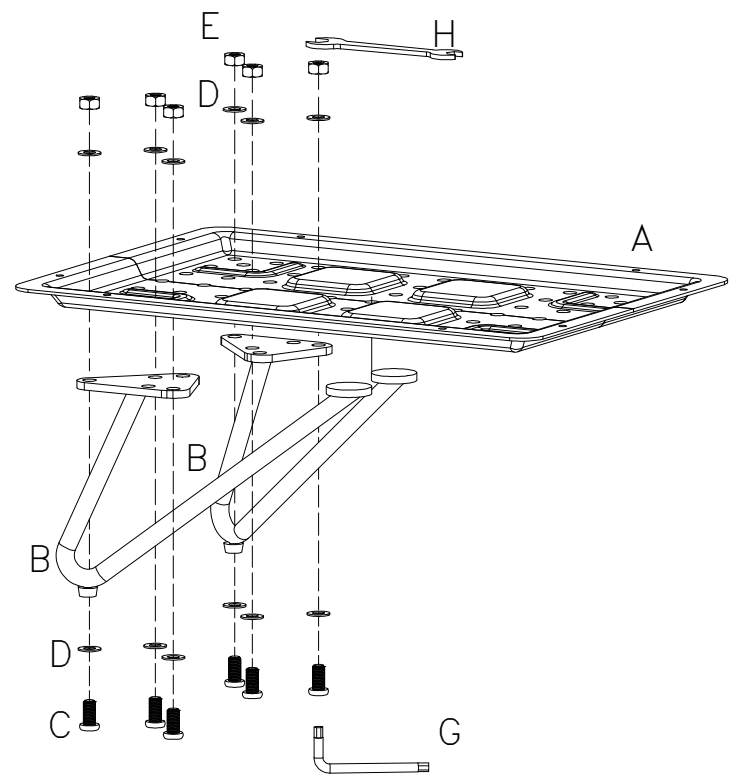
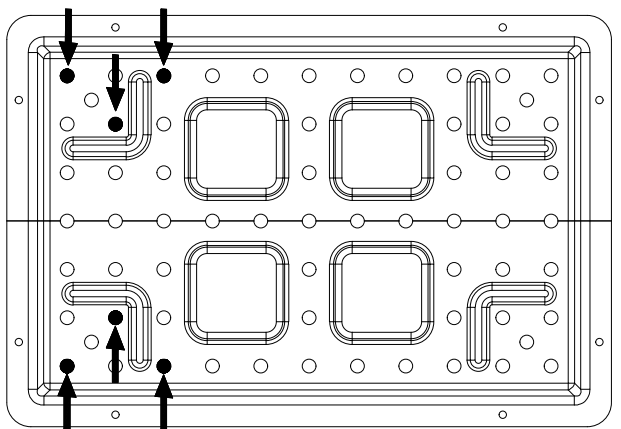
Example B

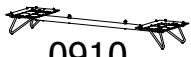


Example A

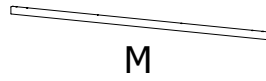


Example B





0910
Example



M



D



E



G

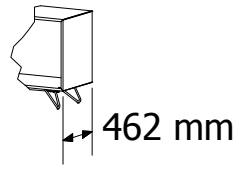


H

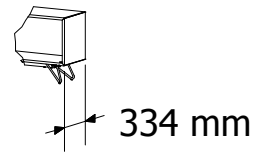


J

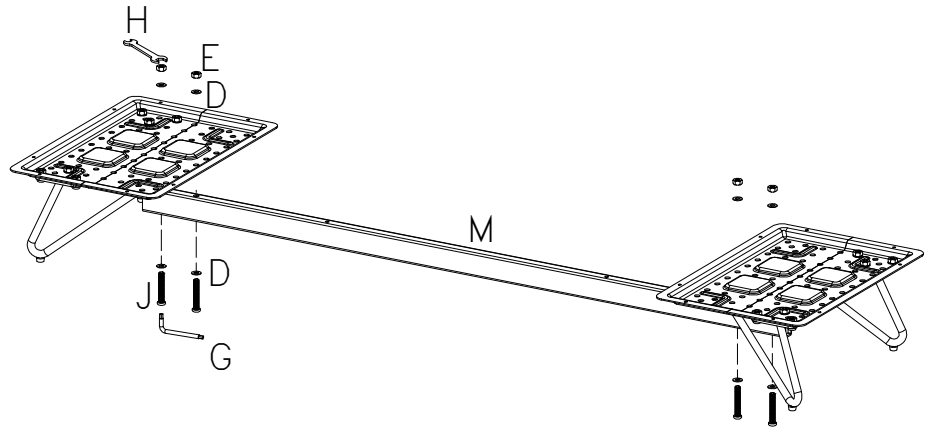
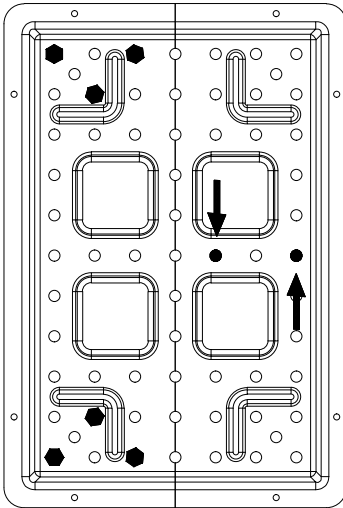
Example A



Example B



Example A



Example B

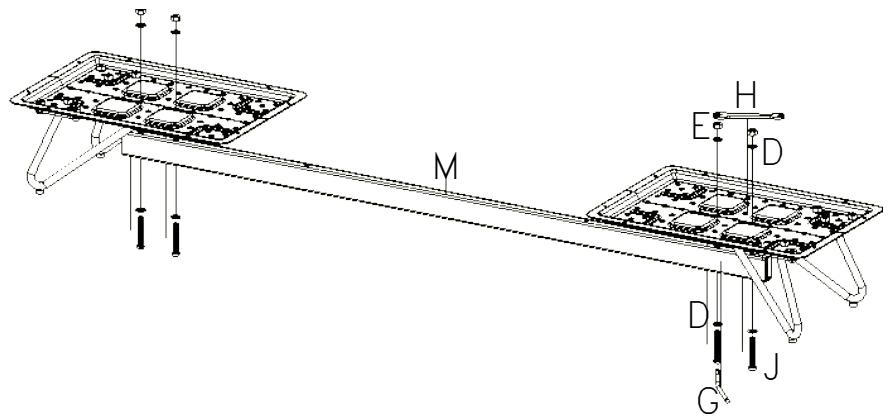
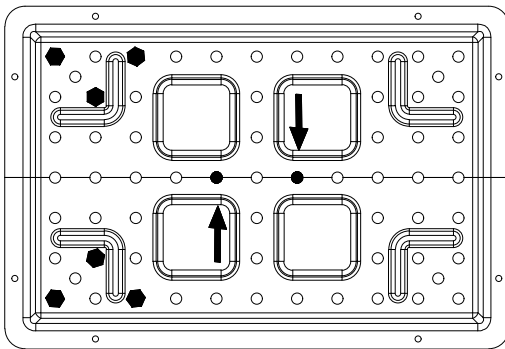
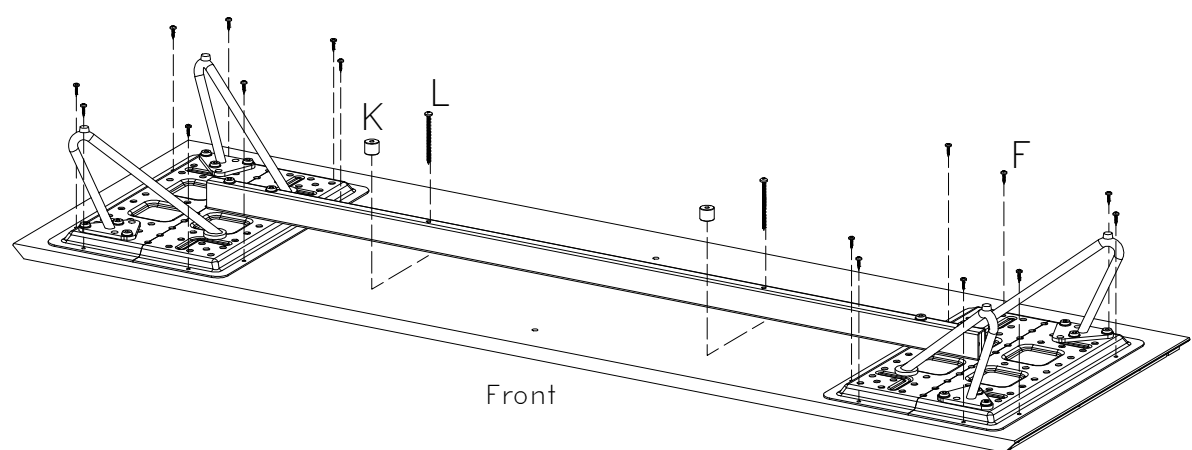
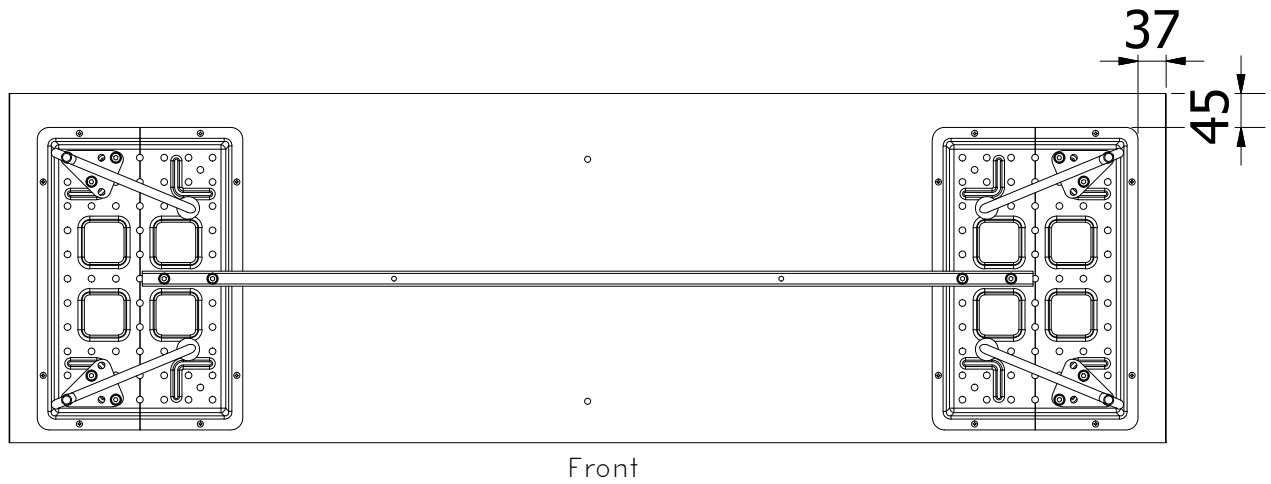
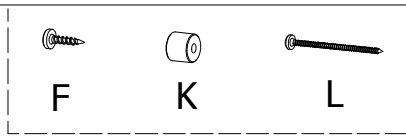


FIG. 3

0910
Example



DK Ved reklamation oplyses følgende:
 D Im Reklamationsfall, bitte folgendes erläutern:
 US In case of claims, please state the following:
 F En cas de reclamation, veuillez indiquer:
 NL Bij service volgene mededelen
 E En caso de reclamacion, indicar lo siguiente:
 P No caso de reclamação, por favor indique o seguinte:
 JP お気づきの点等ございましたら、以下の点をお知らせください。

Example!

