
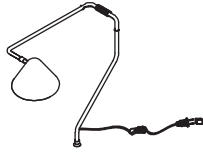

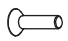


NO	TYPE	QTY
A		1pcs
B		1pcs
C		1pcs
D		1pcs

**ASSEMBLY:**

1. Assemble the base (A) and lamp body (B) with screw (D) allen key (C)
2. Then insert the bulb into lampholder (bulb not included)

**INSTRUCTION MANUAL**

1. This product is only for in-door use.
2. Before you change the light bulb please turn off the lamp and pull out the power plug.  
After this the bulb has to cool down before you change it.
3. Please keep the electrical parts away from flammable materials.
4. This product can only be cleaned with a cotton cloth.