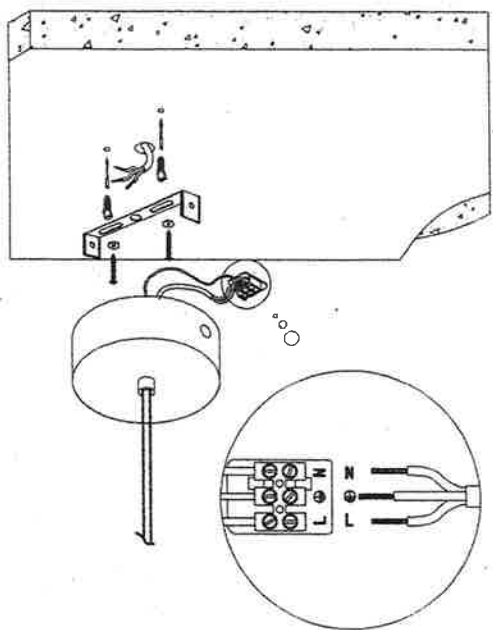
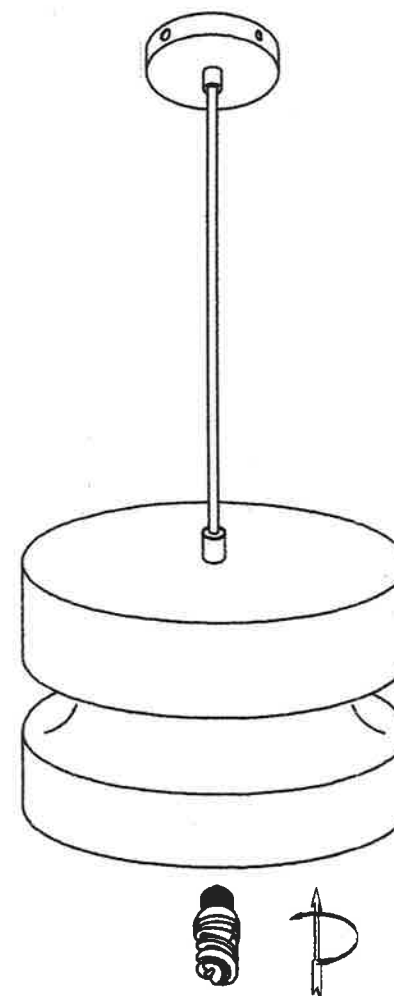


**BoConcept**

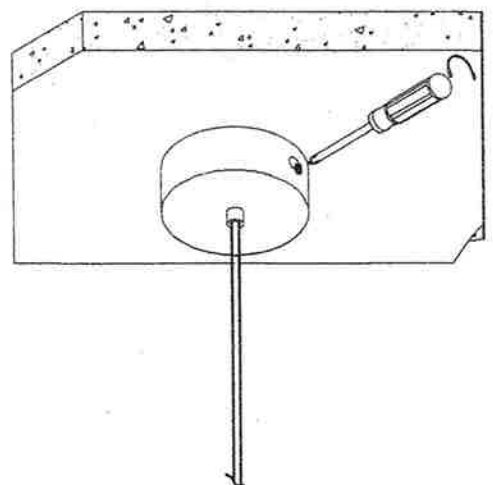
**1**



**3**



**2**



**If you have any questions regarding the product or by damage of the cord, please consult a qualified electrician.**