

## Pine Cone Pendant

Pls read the Instruction carefully before use.

### Safety Notice

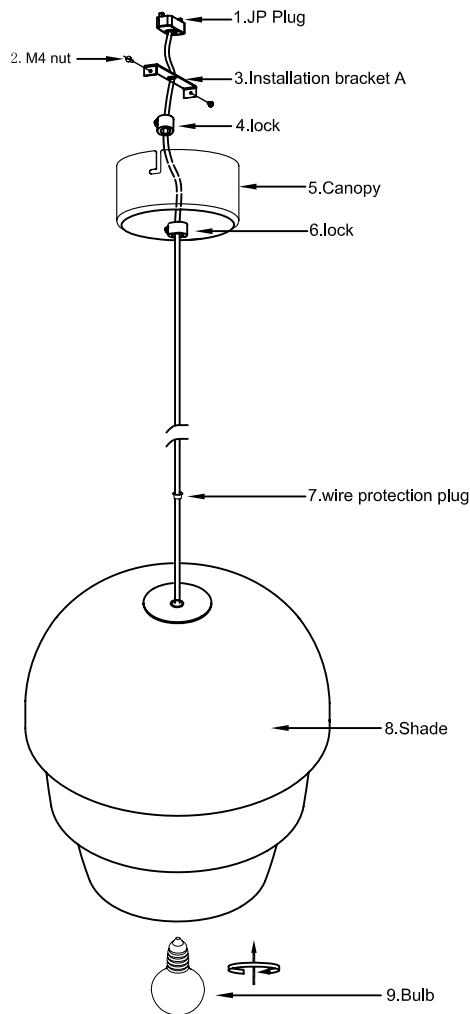
#### ⚠ Warning

- Lamps must be installed and debugged by a licensed technician.
- Before installation and repair, pls disconnect the powder supply, effectively preventing the various security incidents caused during operation.
- The lamps could not be installed in the humid indoor (eg: bathroom and balcony), or outdoor where possible damped by raining, in order to avoid Leakage, shortcircuit,etc.
- For the wire connection inside canopy, you must pay attention to the polar. The cable needs to be safety fixed, to avoid any harms of shortcircuit, fire and electric shock caused by the cable out of protection.

#### ⚠ Attention

- If lamps do not work, pls don't disassemble and repair by yourself, you should request a licensed technician to do the professional inspection and repair, or appoint merchants maintenance.
- Mounting plate, and other fasteners must be installed firmly, prevent loss of lamps and lanterns.
- In order to avoid the shade become deformed and protect the insulating barrier of cable, pls be carefully during installation and maintenance.
- Spare part Transformation and construction destroy, must be repaired or replace components by the licensed technician, or return to the manufacturer for repair.

#### Name for each component



#### ■ Installation

- 1、 Power off.
- 2、 Make 2 holes Ø8mm with Impact Drill, insert the plastic wall plug Ø8mm into the hole.
- 3、 Use Pronged Tapping Screw to lock the JP plug.
- 4、 Loose the nut on Installation plate, take off the installation plate.
- 5、 Connect the power supply wire and lamp wire.
- 6、 Connect the Installation plate and canopy.

#### ⚠ Attention

#### ⚠ Warning

Art No.		Suitable for
105760001440	E26	General 110V-Max 60Wx1
105760001450		

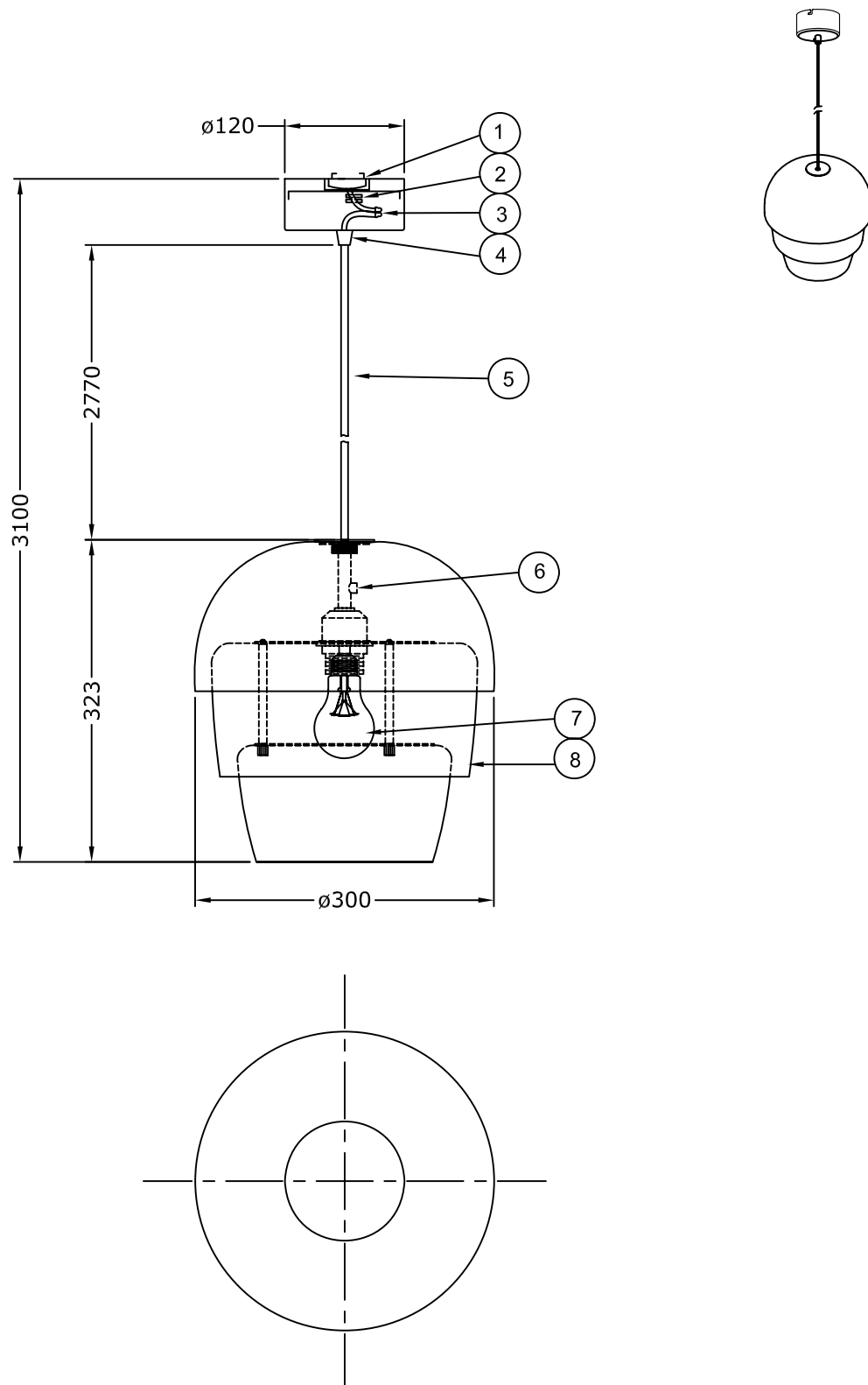
#### ■ Cleaning

- Clean with a soft cloth or a mild detergent
- Mild detergent

#### Trouble analysis

For the exact failure, if repair by yourself, the following content is a reference to who has a license for installation and maintenance:

Condition	Reason	Treatment
Lamp does not work	• The wire or plug does not touch well.	• Change another plug, try the lamp work or not.
	• The bulb turns black, bad smell when light on.	• Change other bulb E26 MAX 60W.
	• The bulb did not match well with socket.	• Tightly screw the bulb.
	• The bulb did not touch well with bulb contact spring	• Turn up the spring, make it connecting well.



No	Spare parts	QTY	Material	Finish	Scan	Product name
8	Shade	1	Metal T1.0 white inside	Copper/Satin	1/10	Pine Cone Pendant lamp
7	Socket	1	For E26	Plastic		Art No.
6	Lock trolley pole	1	12.7*55	White coated		105760001450
5	Cable	1	Twin-core cable VVF 0.75A	Black PSE/JET L=3M	Weight	Suitable for
4	Lock	1	Alu	Copper/Satin	About 2.9kg	E26 General Max60Wx1
3	Connection	1	Plastic +Brass	Orange	Dimension	
2	Lock	1	Plastic	Transparent	ø300*H3000mm	
1	Hooking power supply	1	6A 125V	PSE/JET		