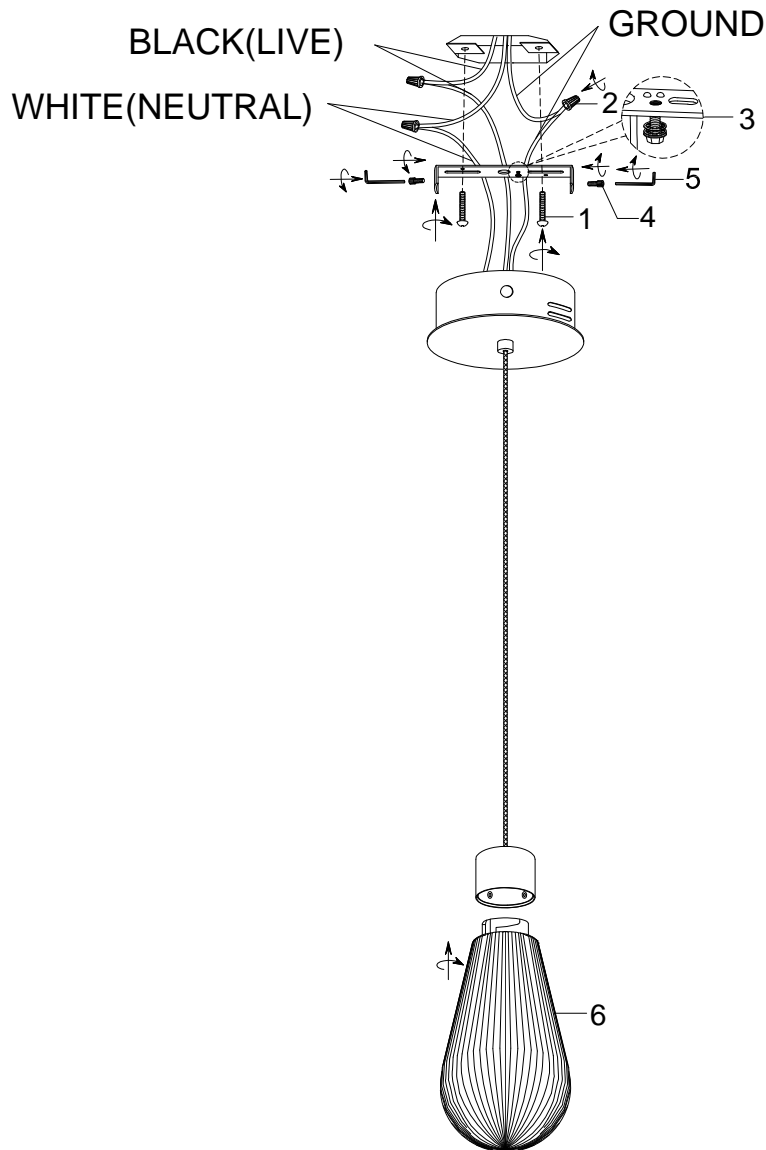


BoConcept®



INSTALLING MANUAL:

1. Fix the crossbar to the ceiling with the screws(1).
2. Connect the live wire from the house with the live wire (black) from the lamp.
Connect the neutral wire from the house with the neutral wire (white) from the lamp.
Connect the ground wire from the house with the ground wire (copper) from the lamp.
3. Fix the canopy to the crossbar then tighten it with screw (4).
4. Use LED 3W MAX bulb for the lamp (bulb included).

CAUTION:

1. The lamp must be assembled by a qualified electrician.
2. The product is for in-door use only, not for out-door.