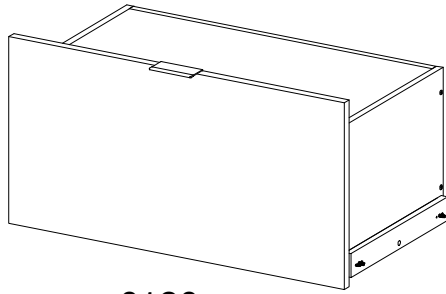


Copenhagen

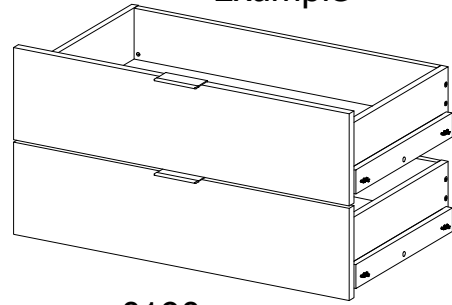
Design by BoConcept

Samvejledning - Assembly Instructions - Montageanleitung - Instructions d'assemblage - Instrucciones de montaje



0180

31,6x61,5x34,4 / Max. 10 kg



Example

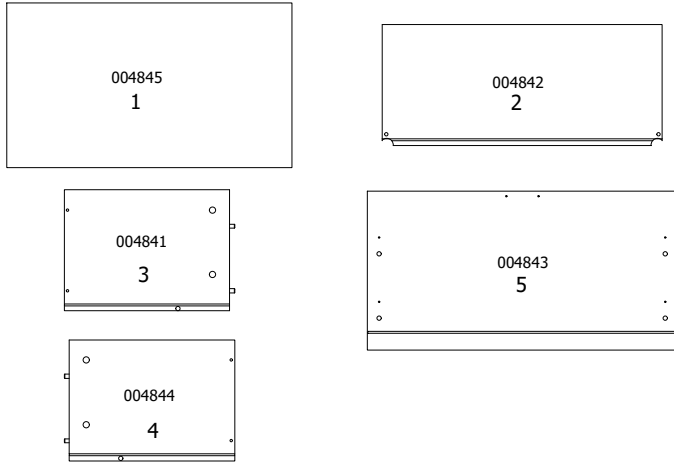
0190

31,6x61,5x34,4 / Max. 10 kg

Korpus - Korpus - Carcase - Carcasse Col. 0181

Fittingbox: 930000516 x1

Fittingbox: 930000959 x1

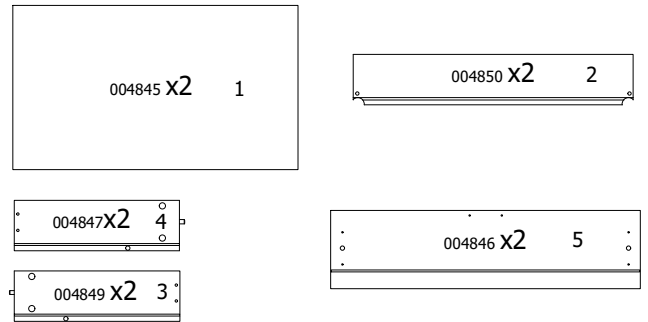


Korpus - Korpus - Carcase - Carcasse Col. 0191

Fittingbox: 930000516 x2

Fittingbox: 930000960 x1

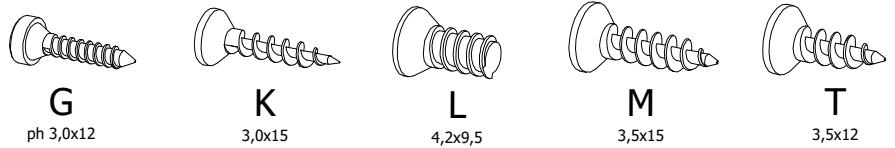
Fittingbox: 930000975 x1



Værktøj - Werkzeuge - Tools - Outils



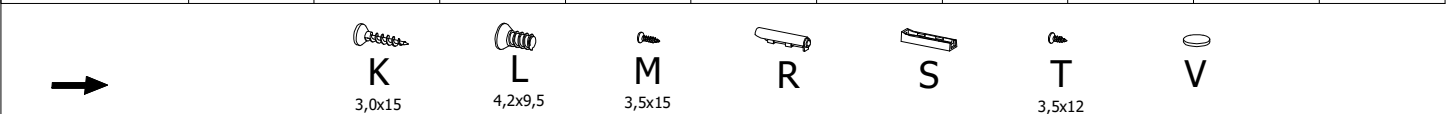
Detail view fittings.



Beslag - Beschläge - Fittings - Set de montage



Fittingbox	Colli	970001585	970001723	970001056	970001204	970001696	970000849	970001724	970000764	970001620
930000959	0181	2	4	4	4	4	1	2	4	1
930000975	0191	4	8	8	8	8	2	4	8	



Fittingbox	Colli	970001717	970001680	970001718	970001593	970000777	970000657	970001686
930000959	0181	2	2	8	1	1	2	2
930000975	0191	4	4	16	1	1	2	4



Fittingbox	Colli	970000850	970000851
930000516	0181	1	1
930000516 x2	0191	1	1

Fittingbox	Colli	970001620	970001585	970001717
930000960	0191	2	4	4

FIG. 1

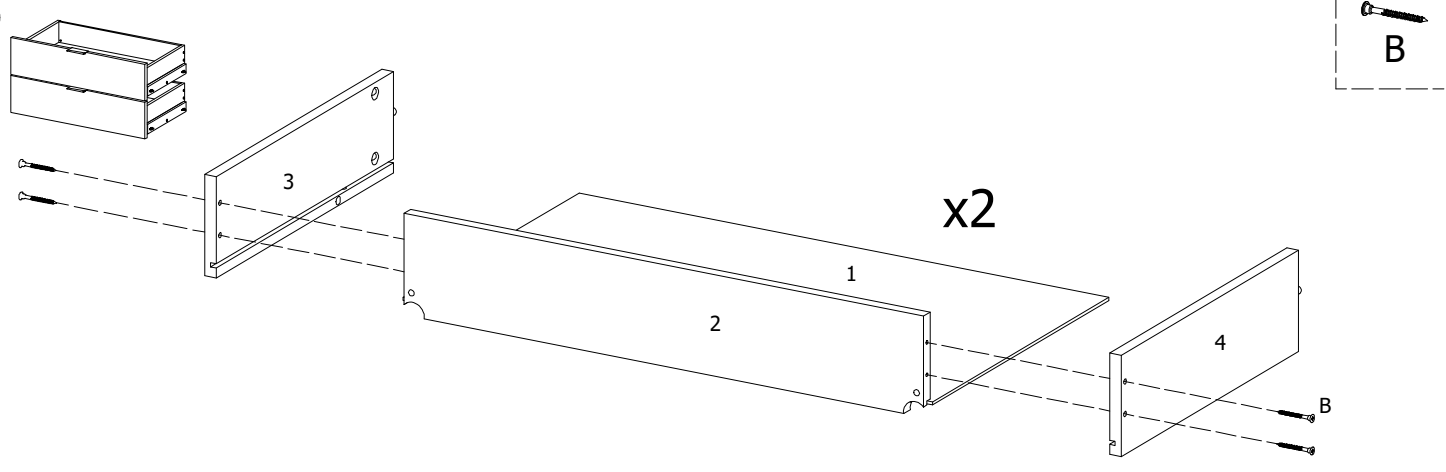


FIG. 2

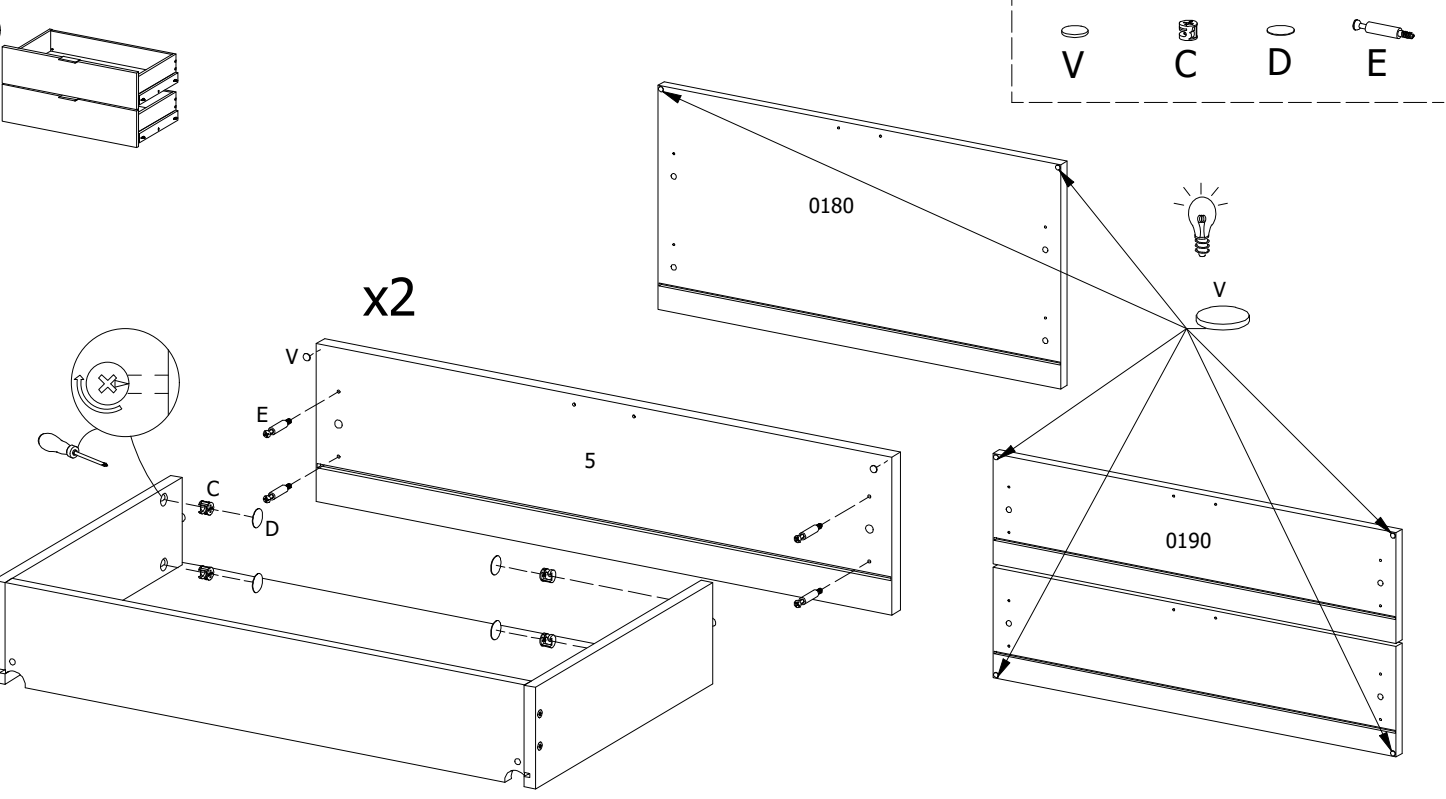


FIG. 3

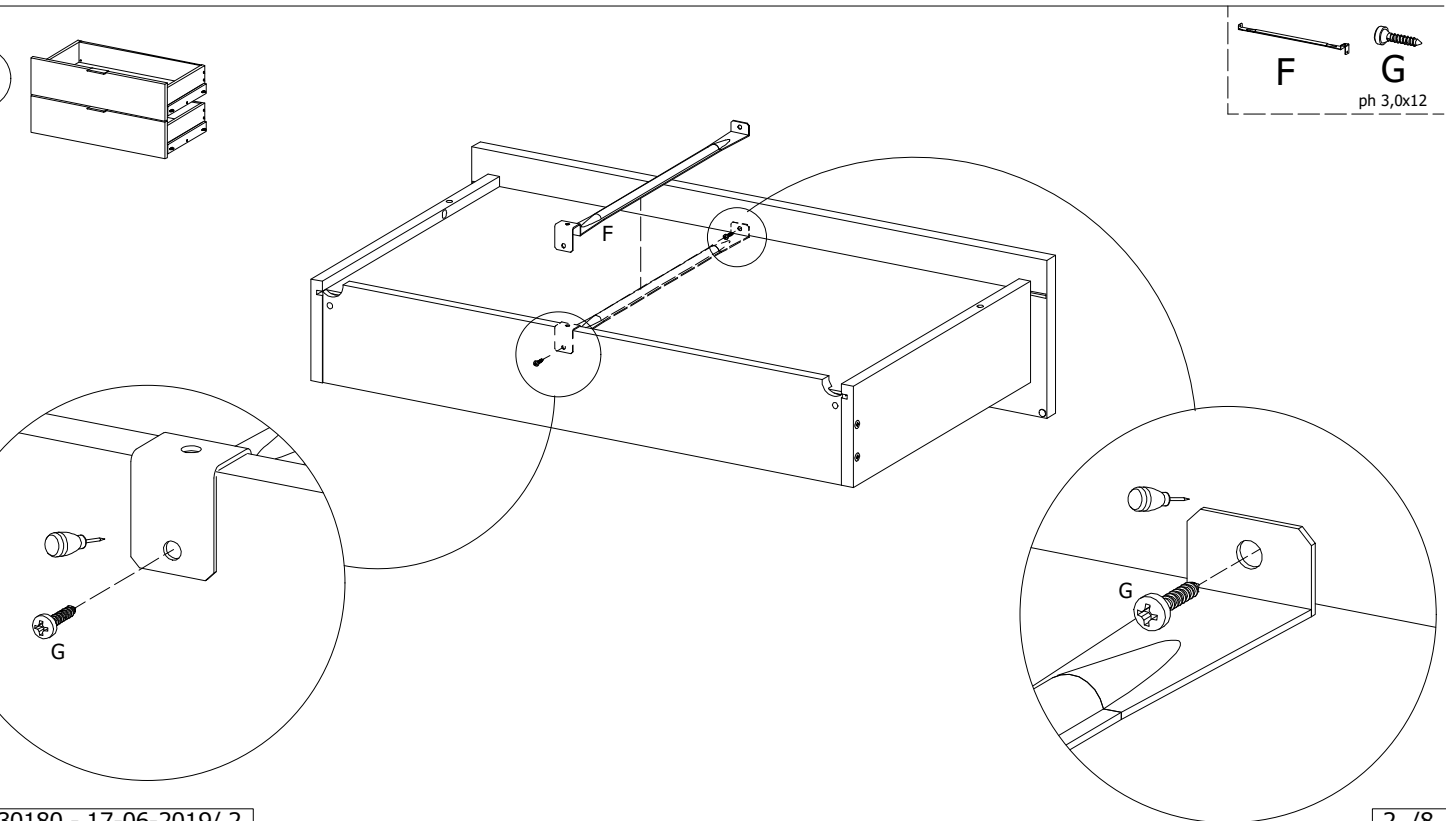
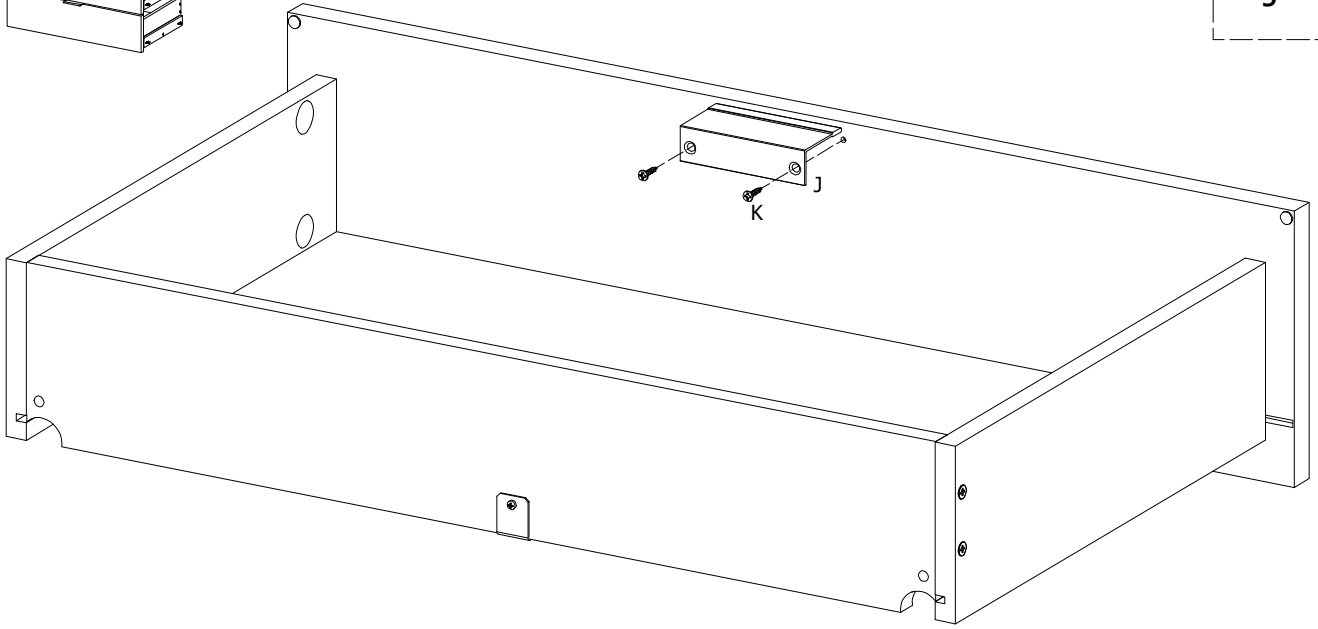
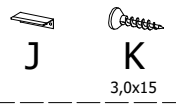
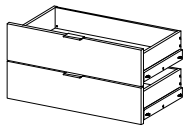
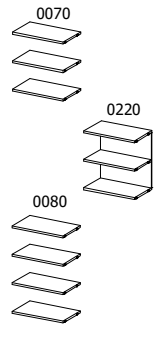
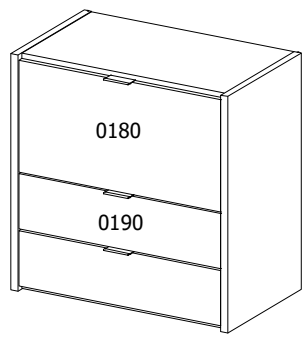


FIG. 4



0180-0190 in 0070-0080-0220 →

FIG. 5



0180-0190 in 0090-0100-0200-0210-0270 →

FIG. 8

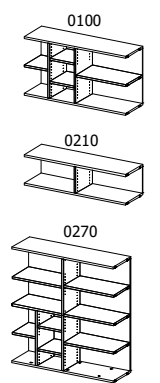
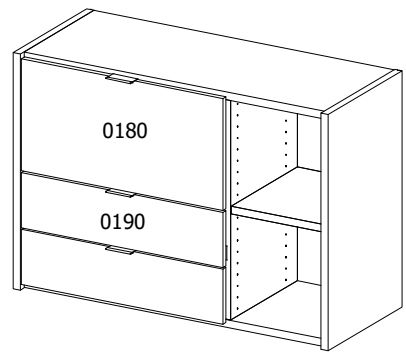
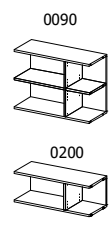


FIG. 5

Attention

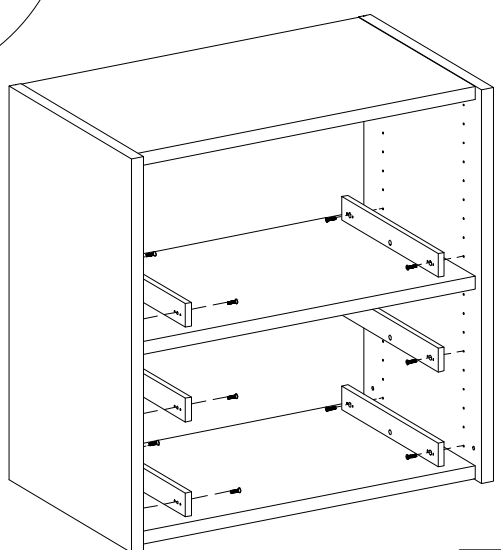
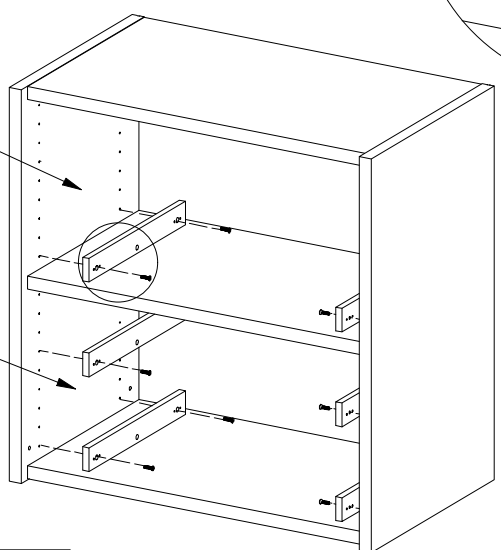
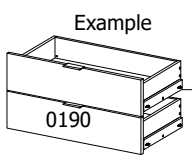
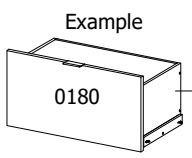
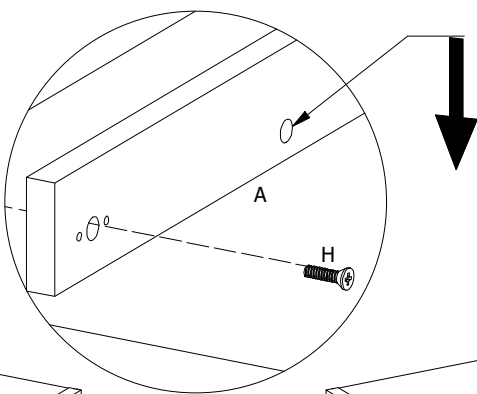
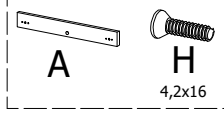
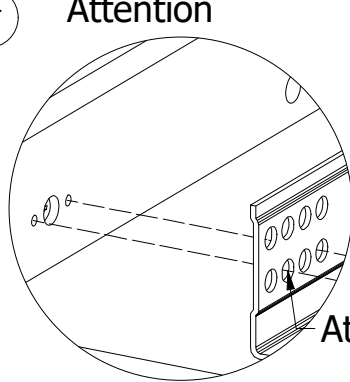
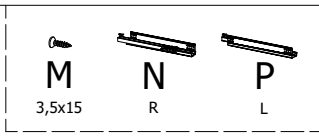


FIG. 6

Attention



Attention nr.2

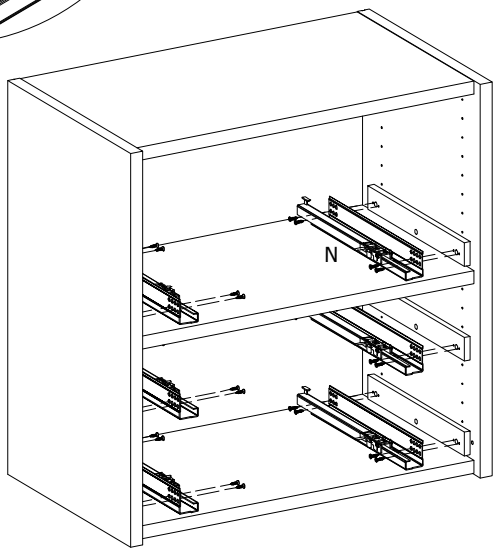
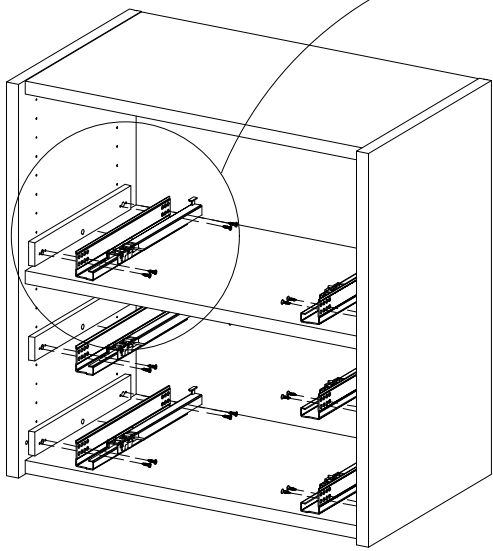
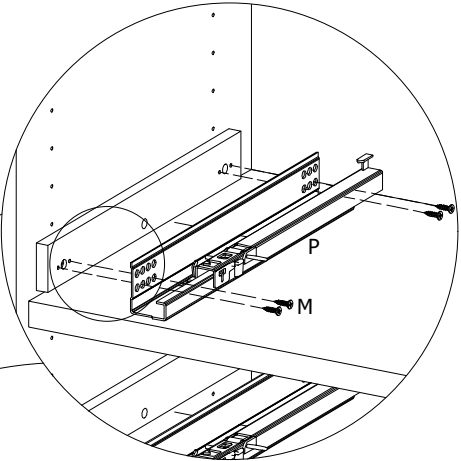


FIG. 7

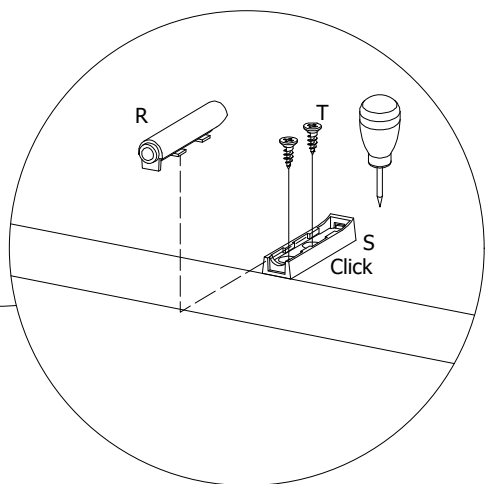
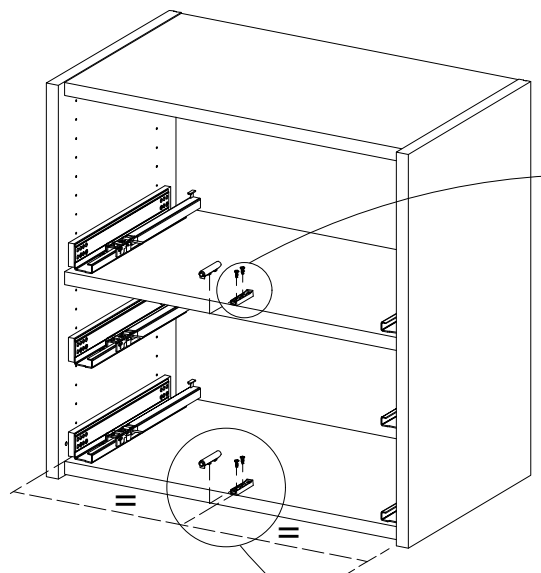
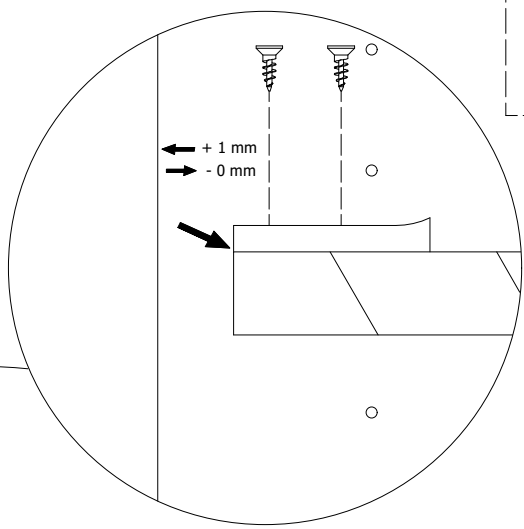
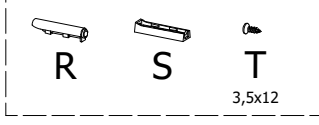
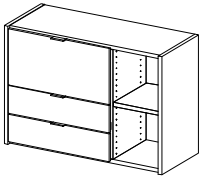
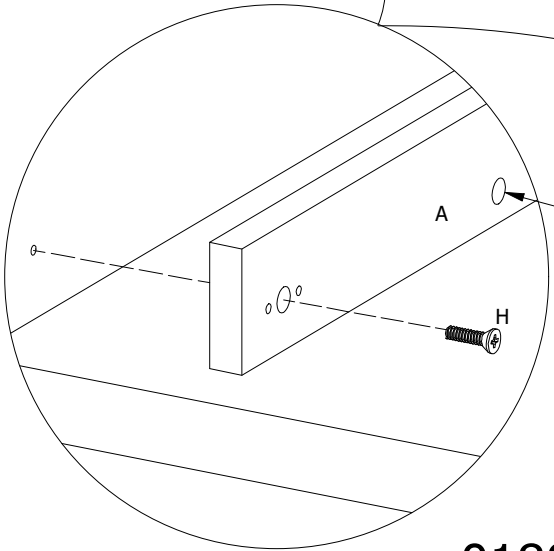
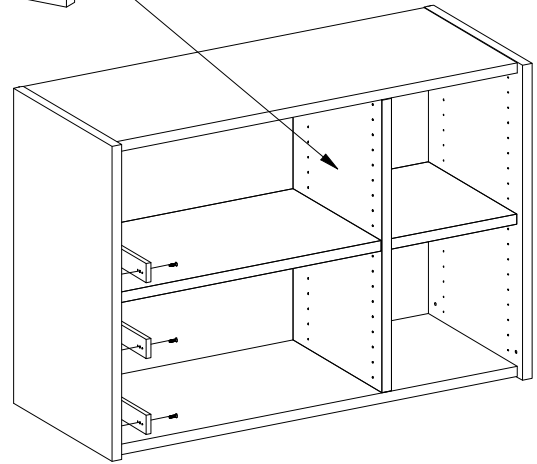
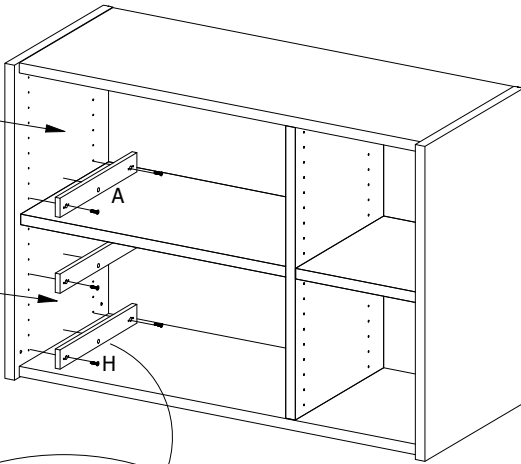
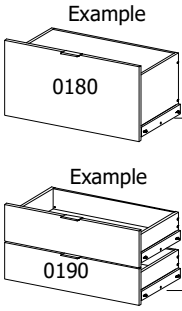
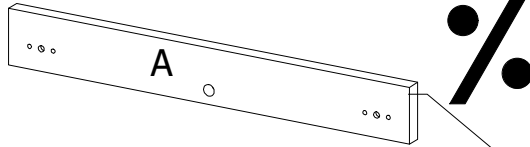
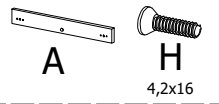


FIG. 11



Attention 0180-0190 in 0090-0200



Attention 0180-0190 in 0100-0210

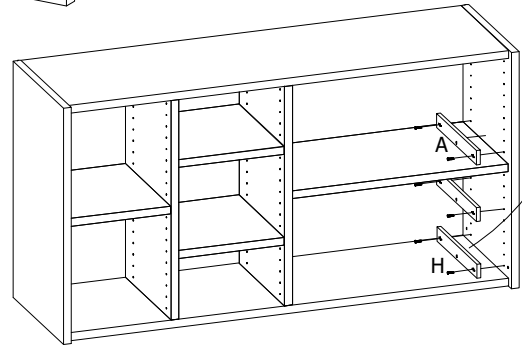
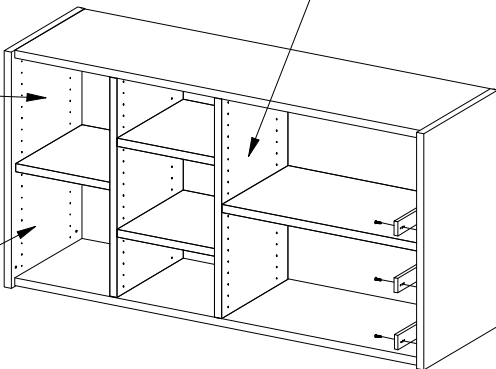
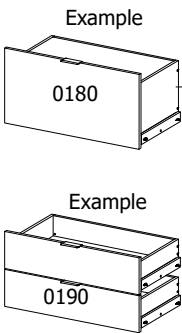
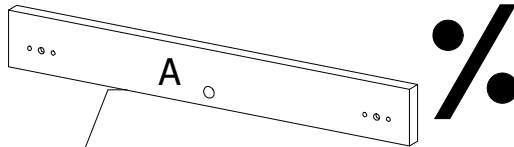


FIG. 9 Example

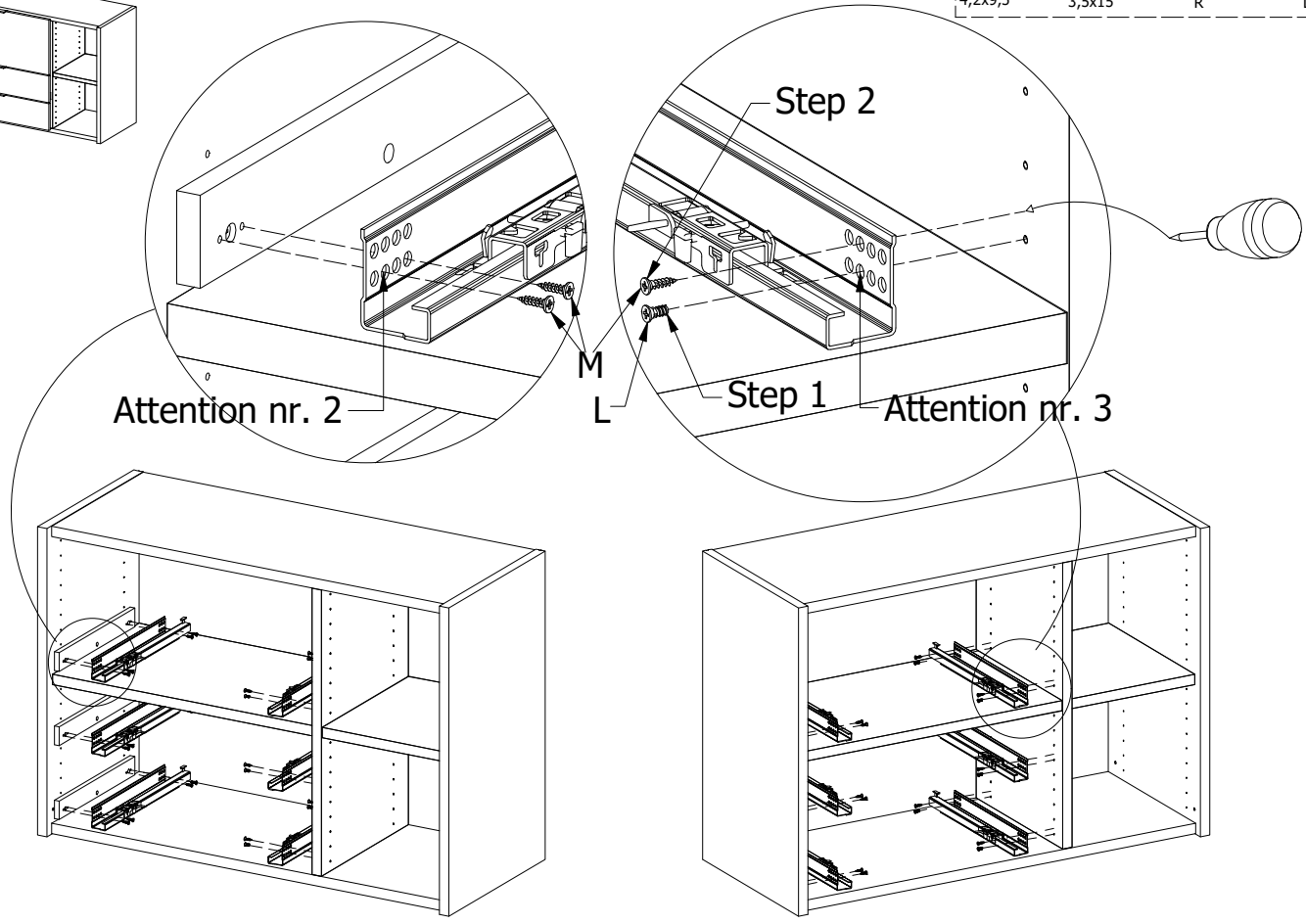
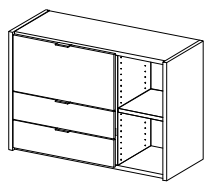


FIG. 10

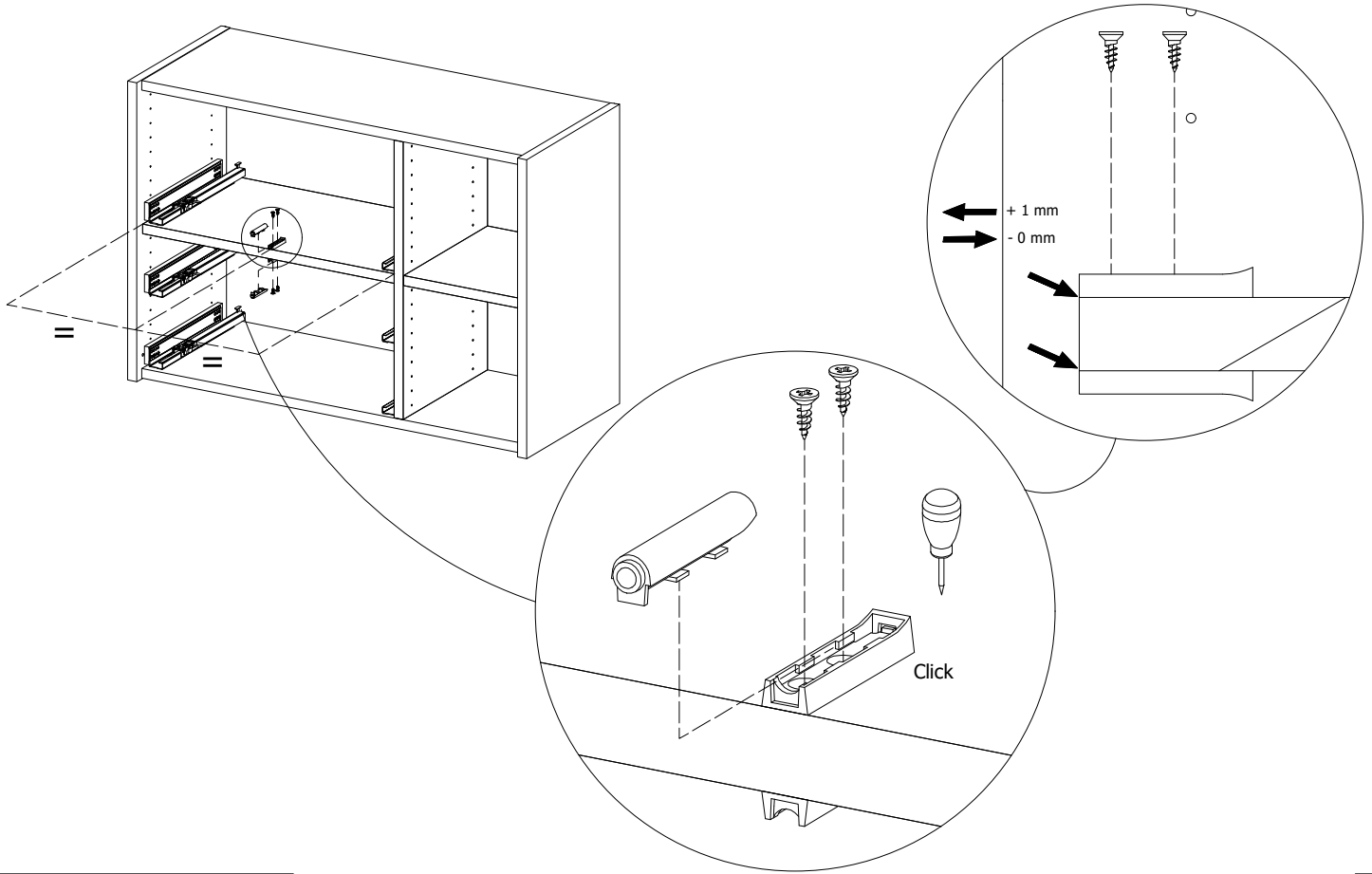
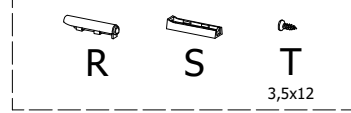
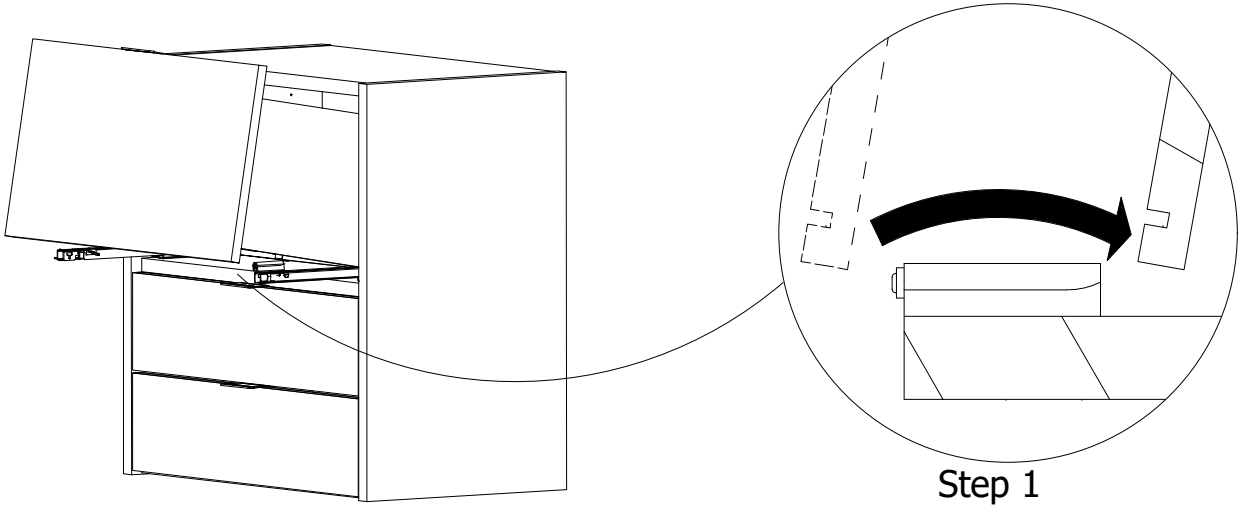


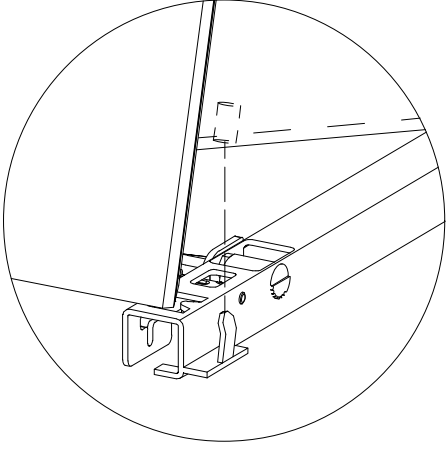
FIG. 11

Attention



Step 1

Step 3



Step 2

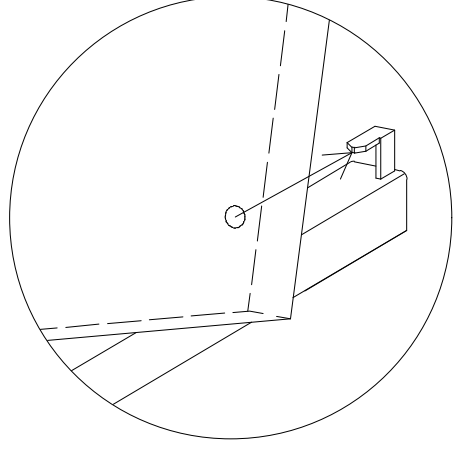


FIG. 12

Attention

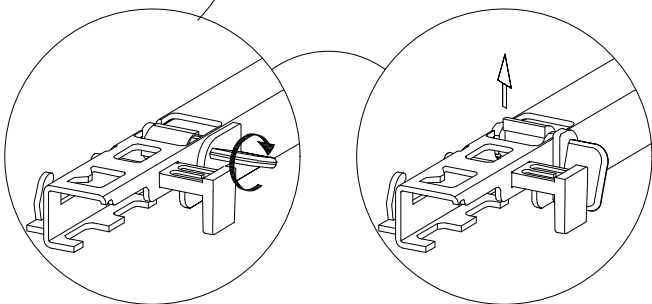
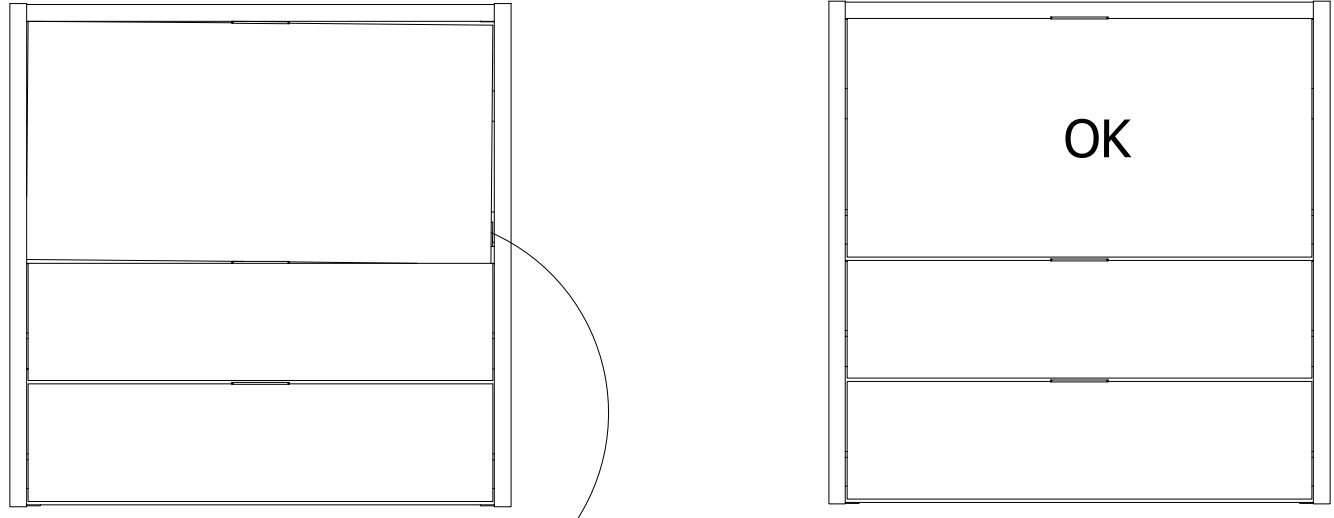


FIG. 13

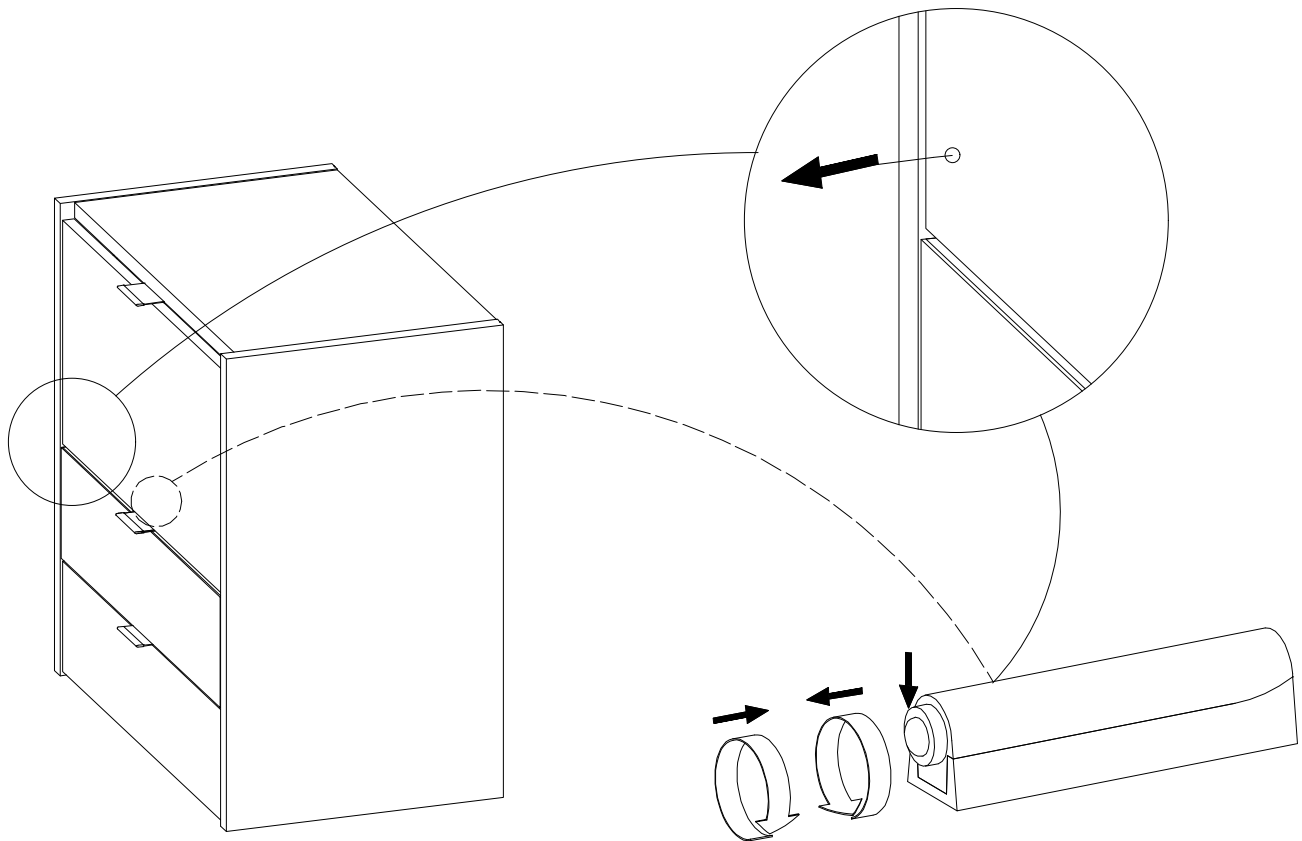
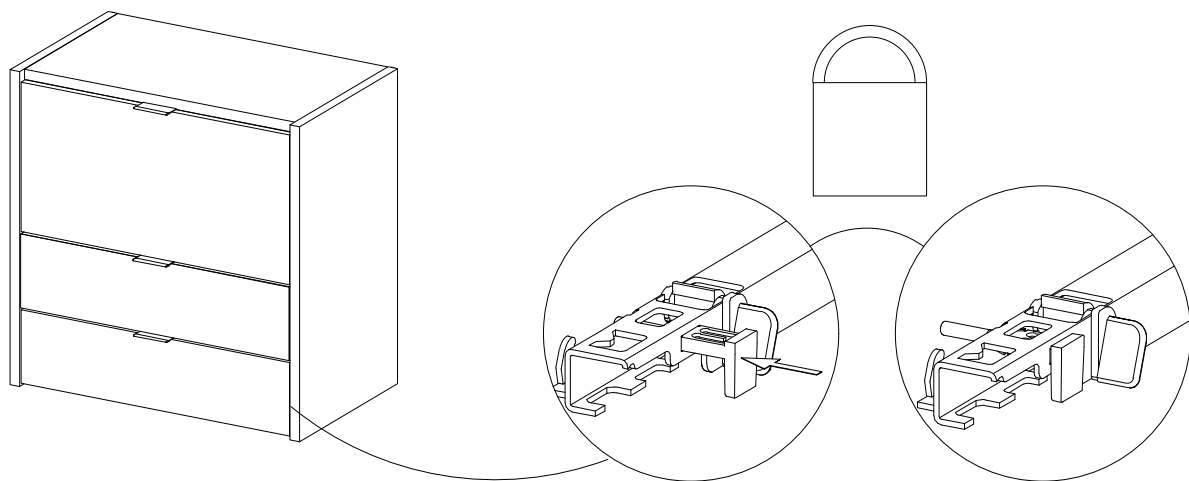


FIG. 14



- DK Ved reklamation oplyses følgende:
- D Im Reklamationsfall, bitte folgendes erläutern:
- US In case of claims, please state the following:
- F En cas de réclamation, veuillez indiquer:
- NL Bij service volgene mededelen
- E En caso de reclamación, indicar lo siguiente:
- P No caso de reclamação, por favor indique o seguinte:
- JP お気づきの点等ございましたら、以下の点をお知らせください。

Example!

Korpus - Korpus - Carcase - Carcasse			Beslag - Fittings - Beschläge - Set de Montage		