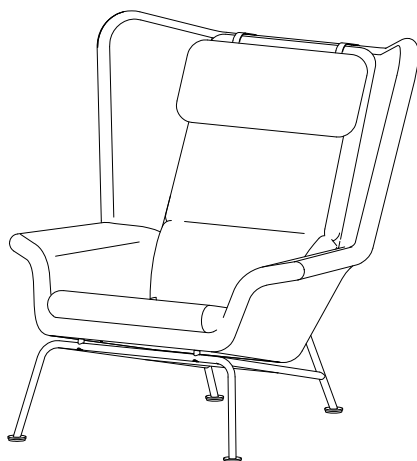


Hamilton

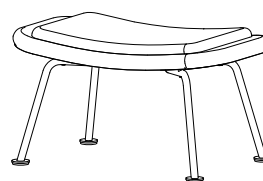
Design by BoConcept

Samvejledning - Assembly Instructions - Montageanleitung - Instructions d'assemblage - Instrucciones de montaje



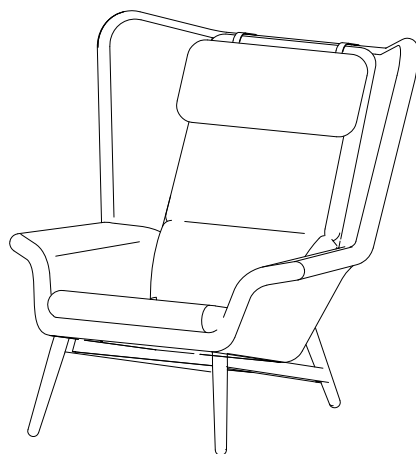
0080

105x100x100 cm



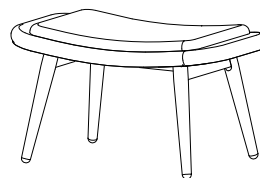
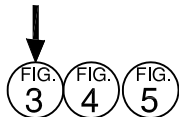
0085

38x70x38 cm



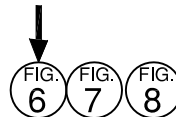
0090

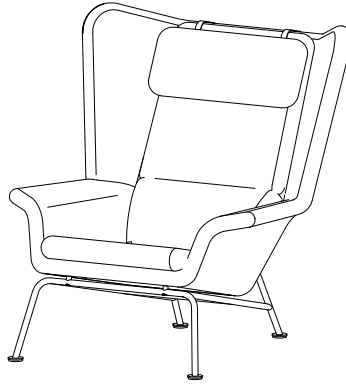
105x100x100 cm



0095

38x70x40 cm

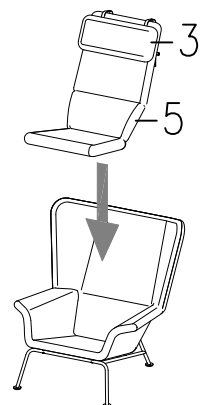
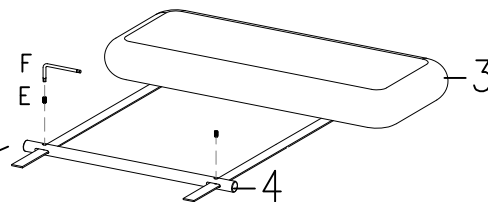
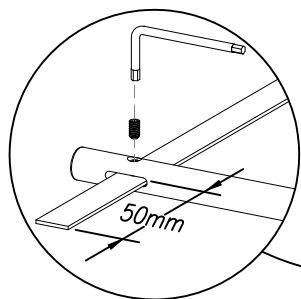
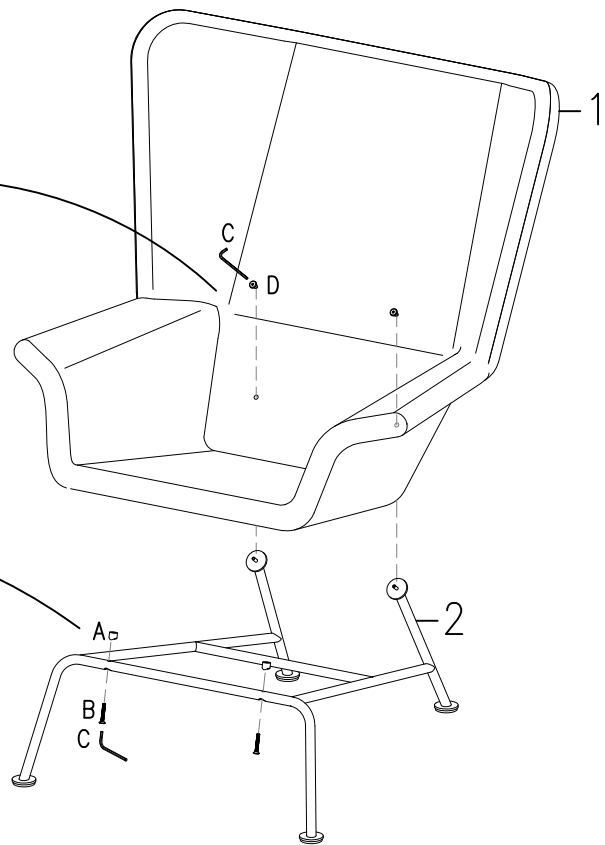
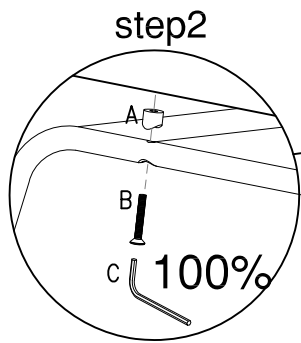
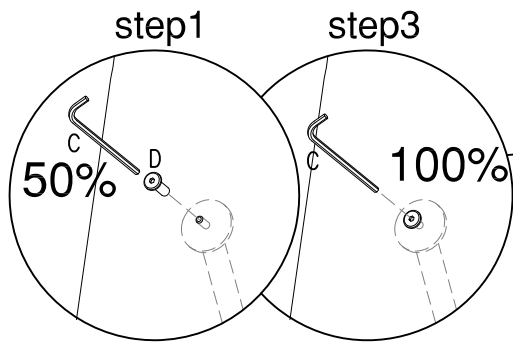
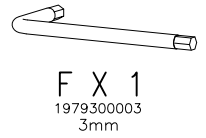
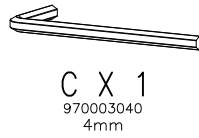
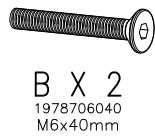
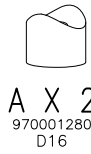




0080

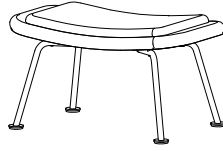
105x100x100 cm

Beslag – Fittings – Beschläge – Set de Montage
col. 1



0085

38x70x38 cm



Beslag – Fittings – Beschläge – Set de Montage
col. 1



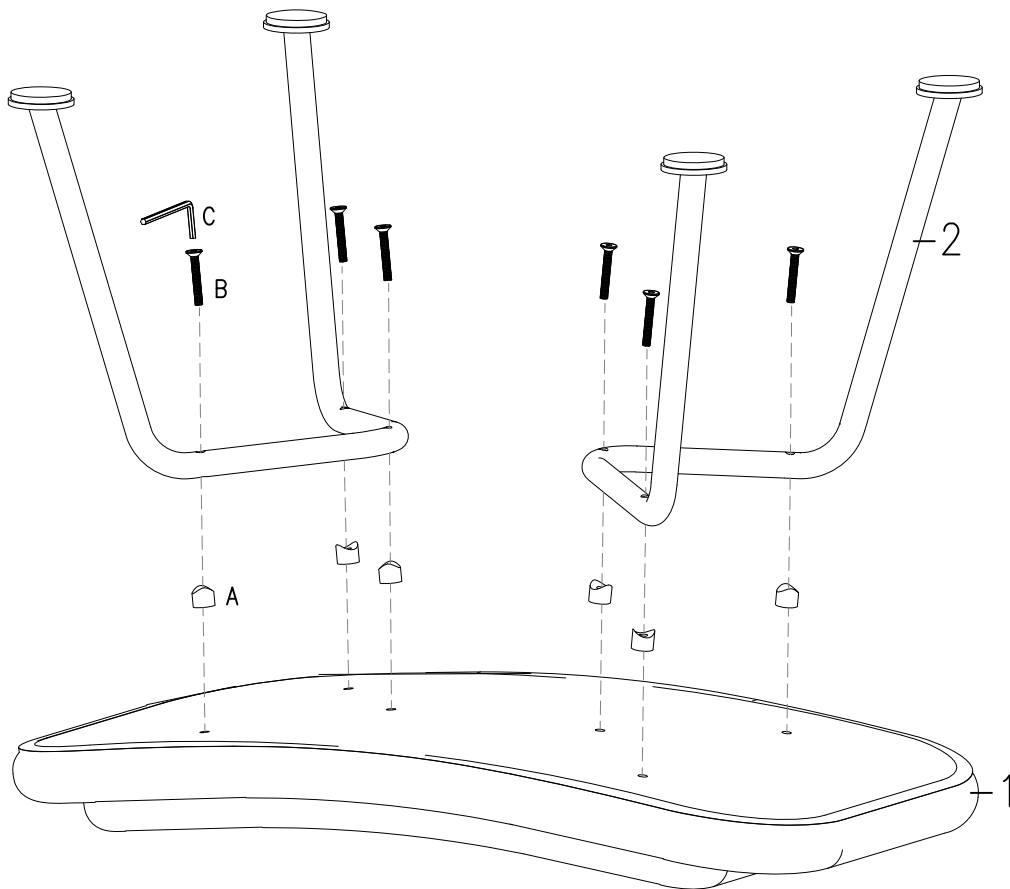
A X 6
970001280
D16

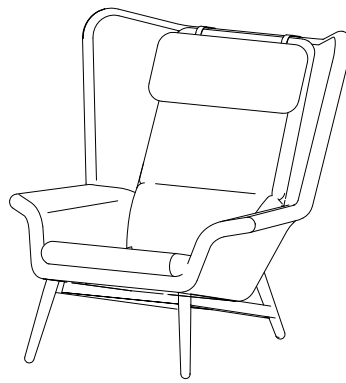


B X 6
970001304
M6x50mm



C X 1
970003040
4x72x28mm





0090

105x100x100 cm

Beslag - Fittings - Beschläge - Set de Montage
col. 1

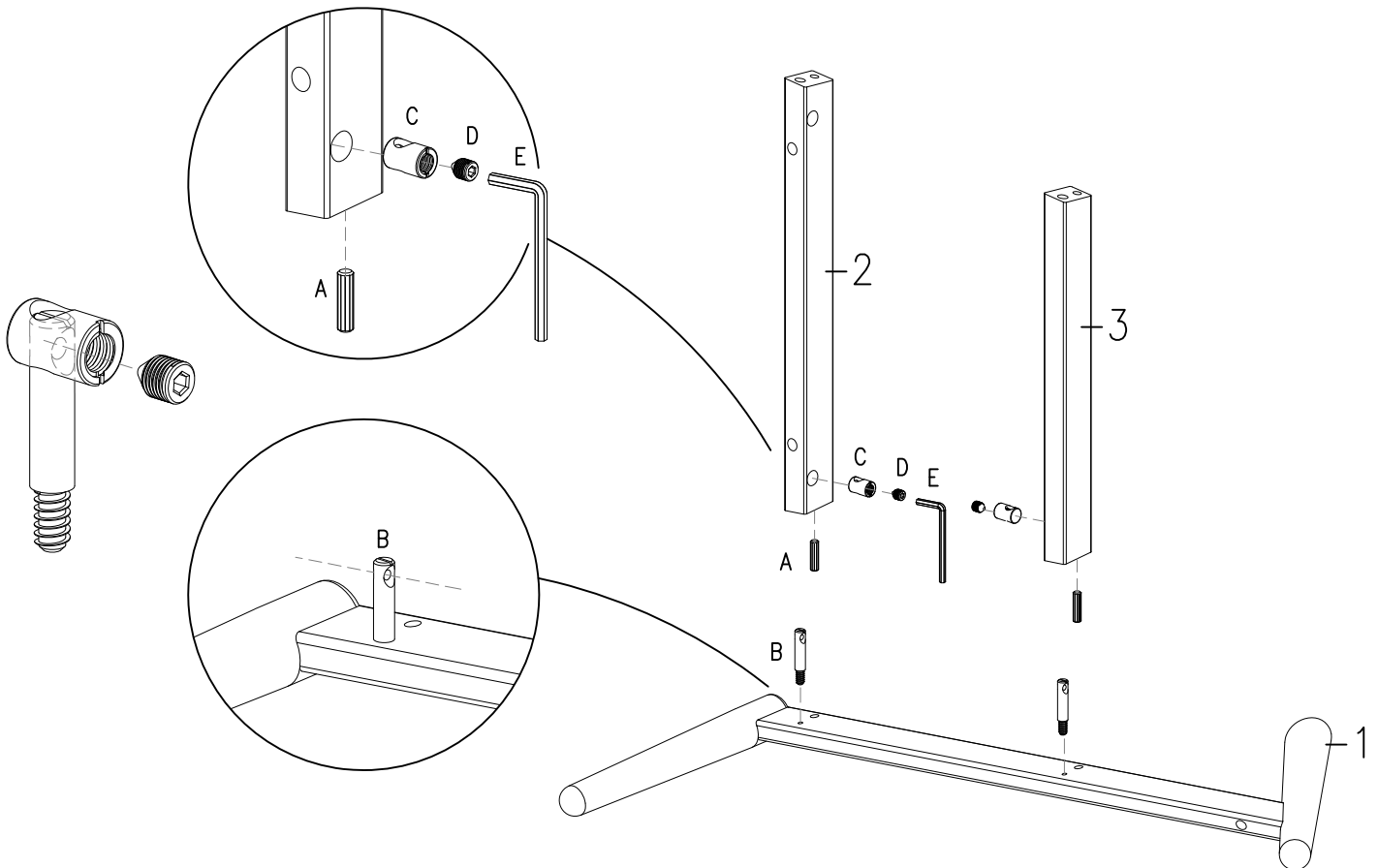
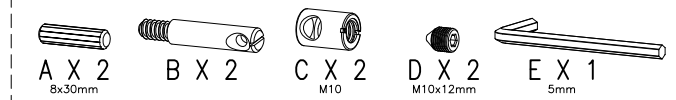
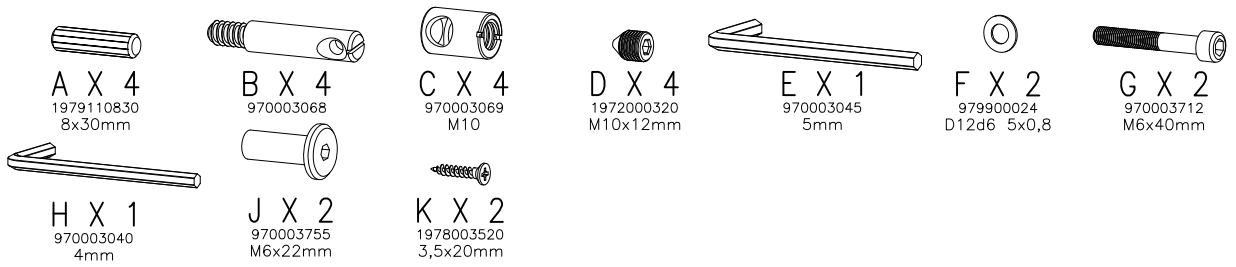


FIG. 4

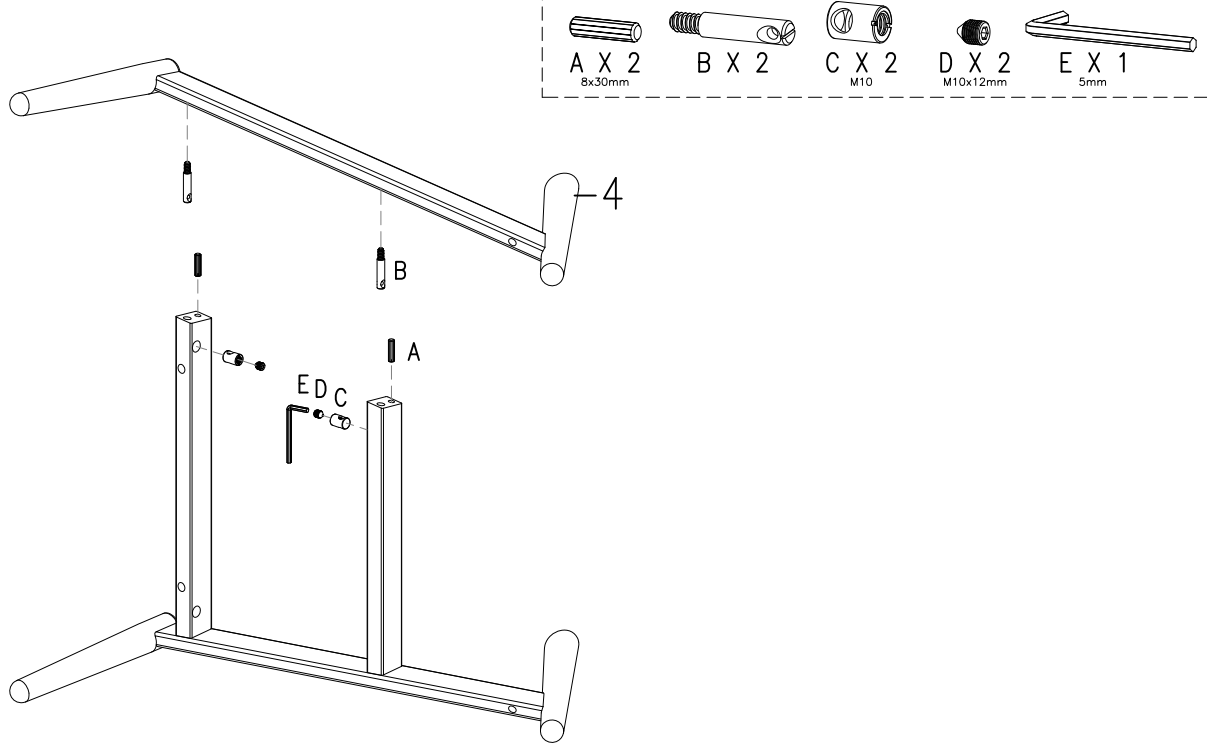
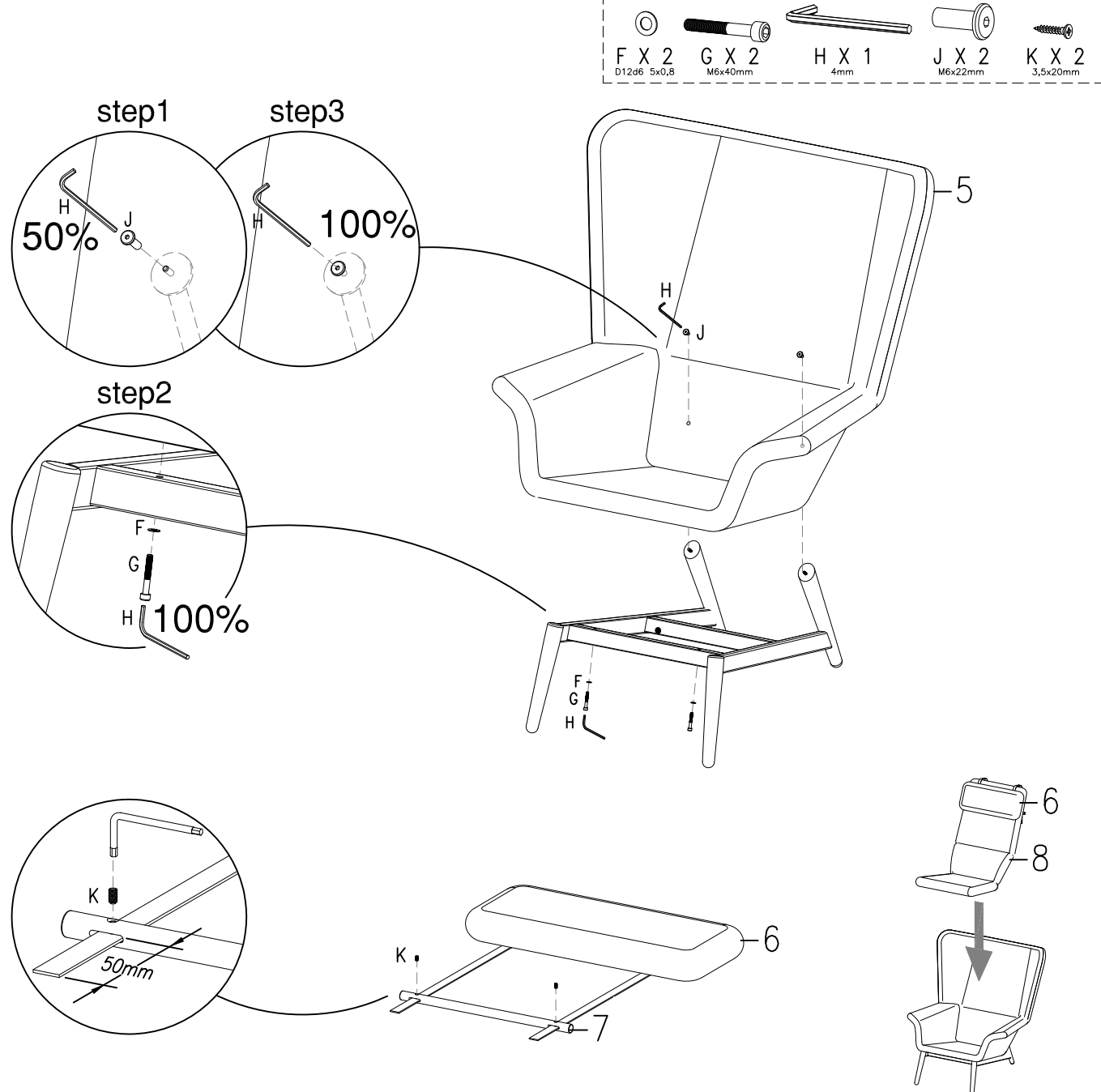
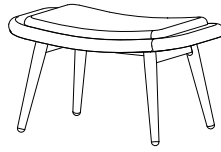


FIG. 5





0095

38x70x40 cm

Beslag – Fittings – Beschläge – Set de Montage
col. 1



A X 2
1979110830
8x30mm



B X 2
970003068



C X 2
970003069
M10



D X 2
1972000320
M10x12



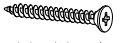
E X 1
970003040
4x72x28mm



F X 2
970003183
M6x35mm



G X 1
970003045
5x79x30mm



H X 4
979900187
4,5x40mm



A X 2
8x30mm



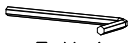
B X 2



C X 2
M10



D X 2
M10x12



E X 1
4x72x28mm

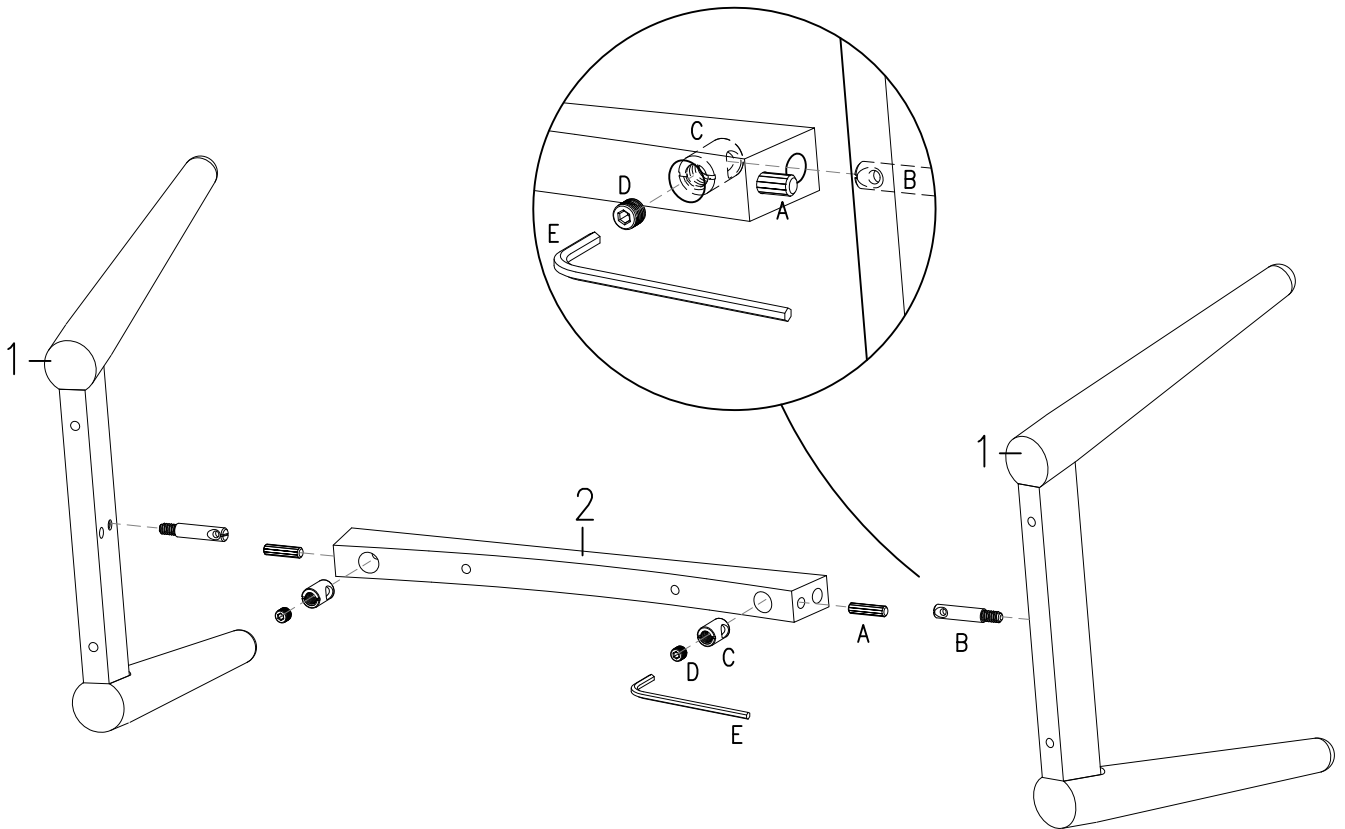


FIG. 7

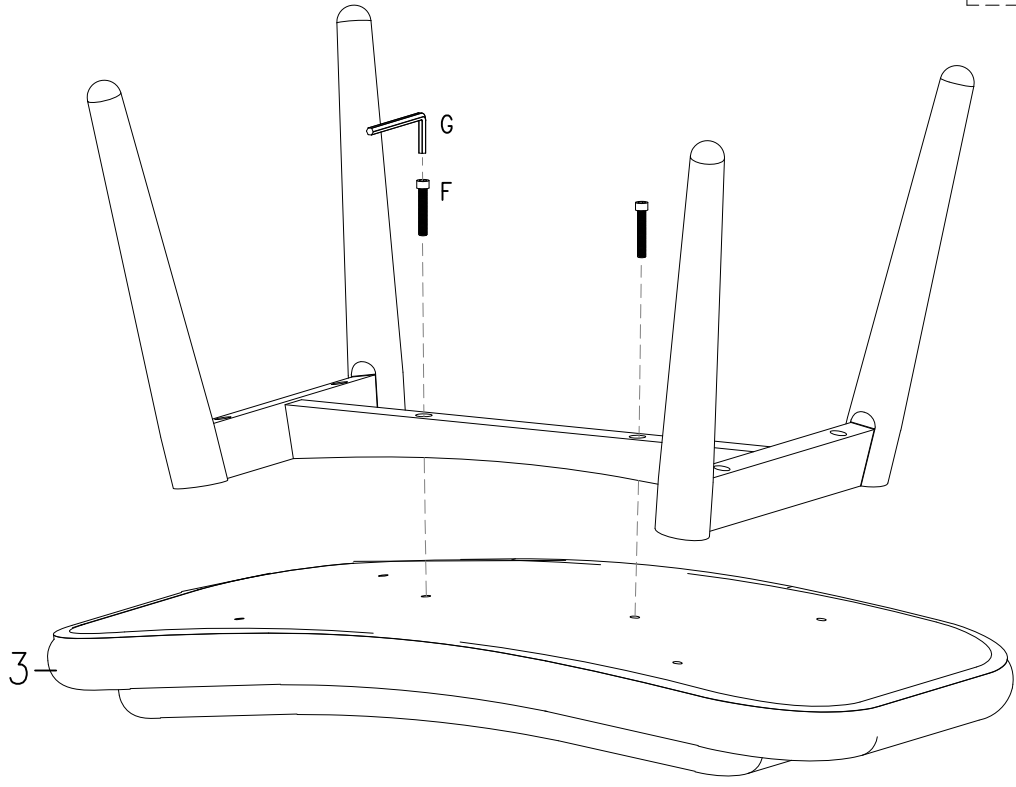
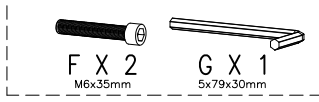
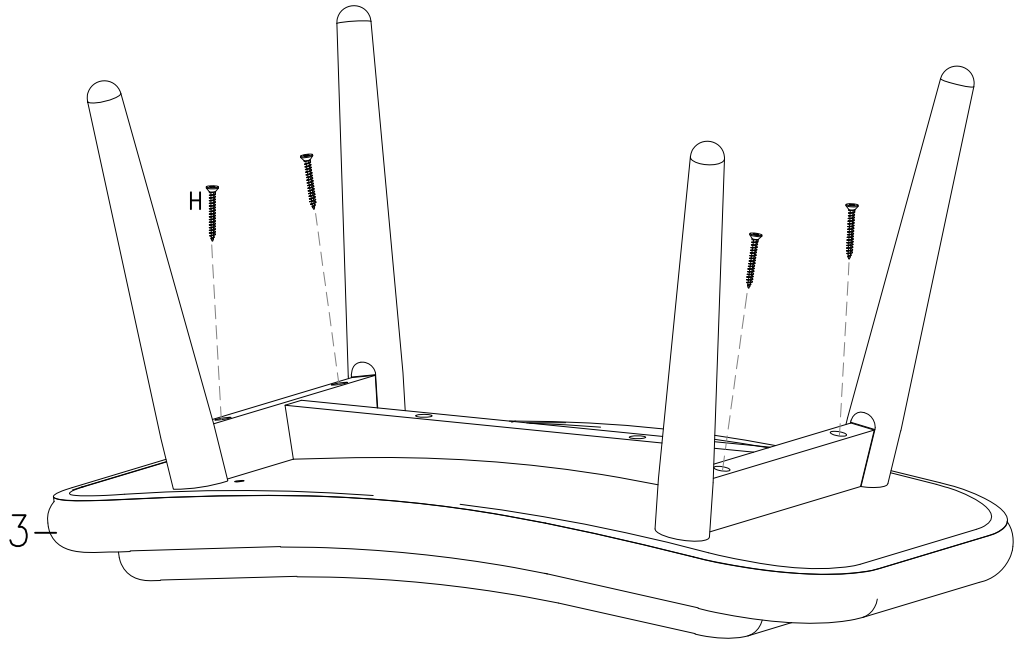
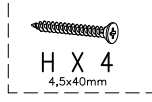


FIG. 8



! DK Ved reklamation oplyses følgende:
 D Im Reklamationsfall, bitte folgendes erläutern:
 US In case of claims, please state the following:
 F En cas de reclamation, veuillez indiquer:
 NL Bij service volgene mededelen
 E En caso de reclamacion, indicar lo siguiente:
 P No caso de reclamação, por favor indique o seguinte:
■ JP お気づきの点等ございましたら、以下の点をお知らせください。

Example!

