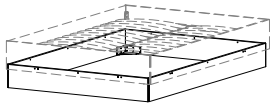
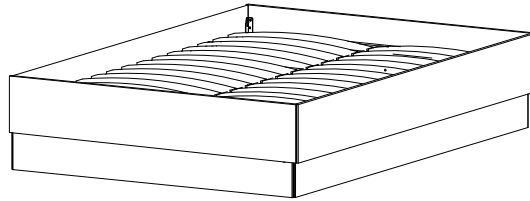


Bed Concept

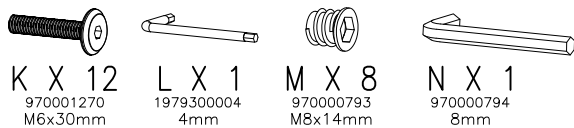
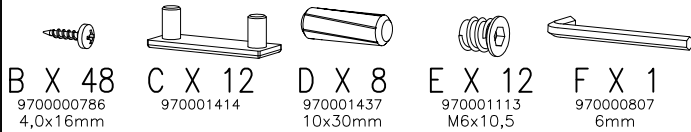
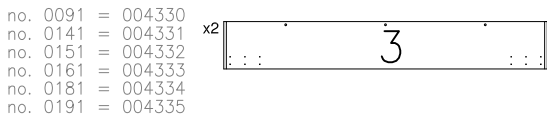
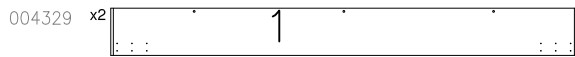
Design by BoConcept

Samvejledning - Assembly Instructions - Montageanleitung - Instructions d'assemblage - Instrucciones de montaje

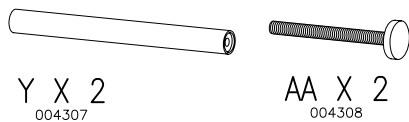
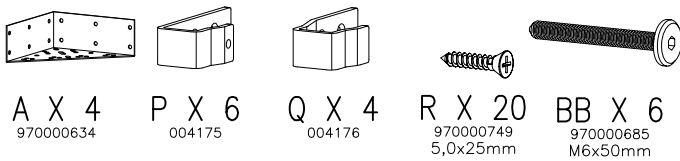


0090, 0140, 0150, 0160, 0180, 0190

col. 1 / no. 0091, 0141, 0151, 0161, 0181, 0191



col. 2 / no. 0092

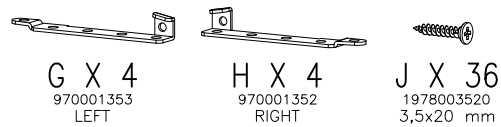
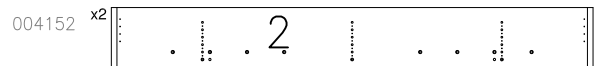


1090, 1140, 1150, 1160, 1180, 1190

col. 1 / no. 1091, 1141, 1151, 1161, 1181, 1191

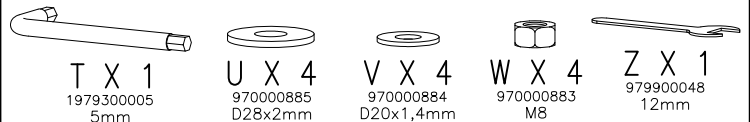
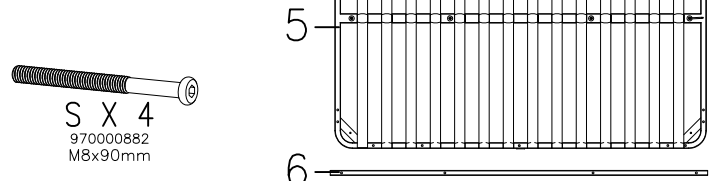


col. 2 / no. 1092

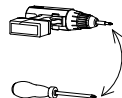
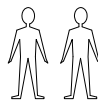


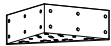








col. 3 / no. 1093, 1143, 1153, 1163, 1183, 1193

no. 1093 = 004340
no. 1143 = 004158
no. 1153 = 004159
no. 1163 = 004160
no. 1183 = 004161
no. 1193 = 004162



Værktøj - Werkzeuge - Tools - Outils



- | | | | | | | | | |
|---------------------------------------------------------------------------------|---------------------------------------------------------------------------------|---------------------------------------------------------------------------------|---------------------------------------------------------------------------------|---------------------------------------------------------------------------------|----------------------------------------------------------------------------------|-----------------------------------------------------------------------------------|-----------------------------------------------------------------------------------|-----------------------------------------------------------------------------------|
|  |  |  |  |  |  |  |  |  |
| A X 4 | B X 24 4,0x16mm | C X 6 | D X 4 10x30mm | E X 6 M6x10,5 | F X 1 6mm | G X 2 LEFT | H X 2 RIGHT | J X 16 3,5x20 mm |

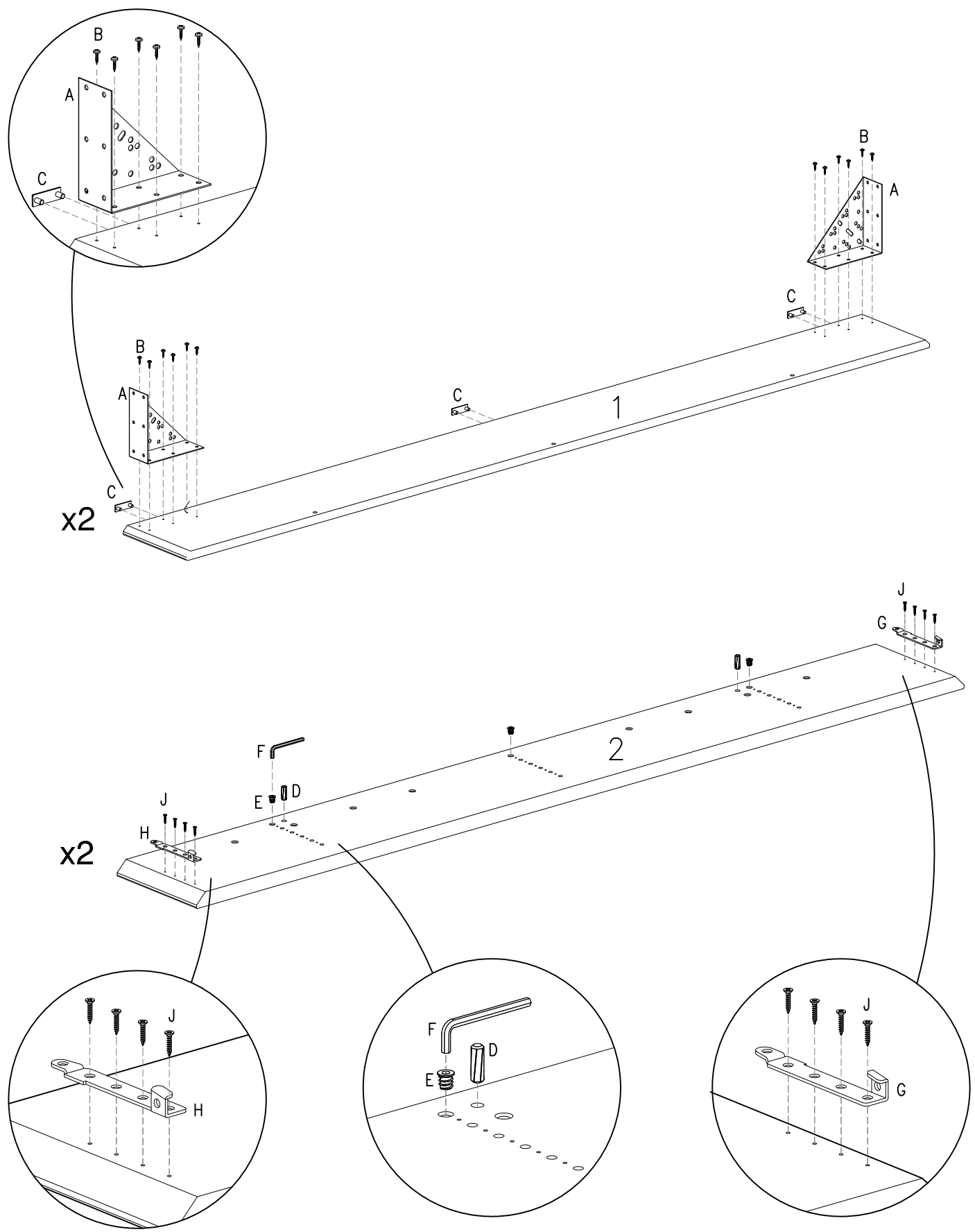




FIG. 2

- 
K X 6
M6x30mm
- 
L X 1
4mm

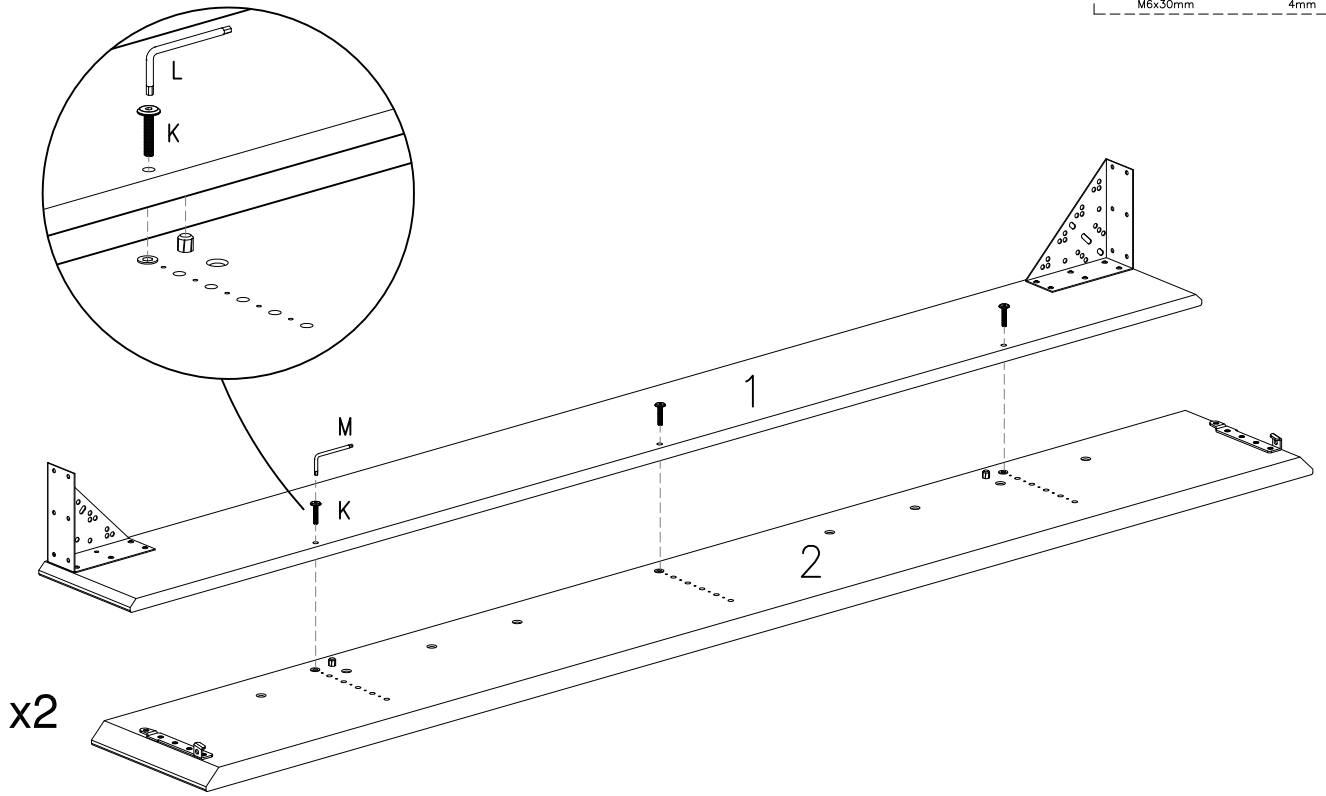

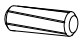







FIG. 3

- 
C X 6
- 
D X 4
10x30mm
- 
E X 6
M6x10,5
- 
F X 1
6mm
- 
G X 2
LEFT
- 
H X 2
RIGHT
- 
J X 16
3,5x20 mm

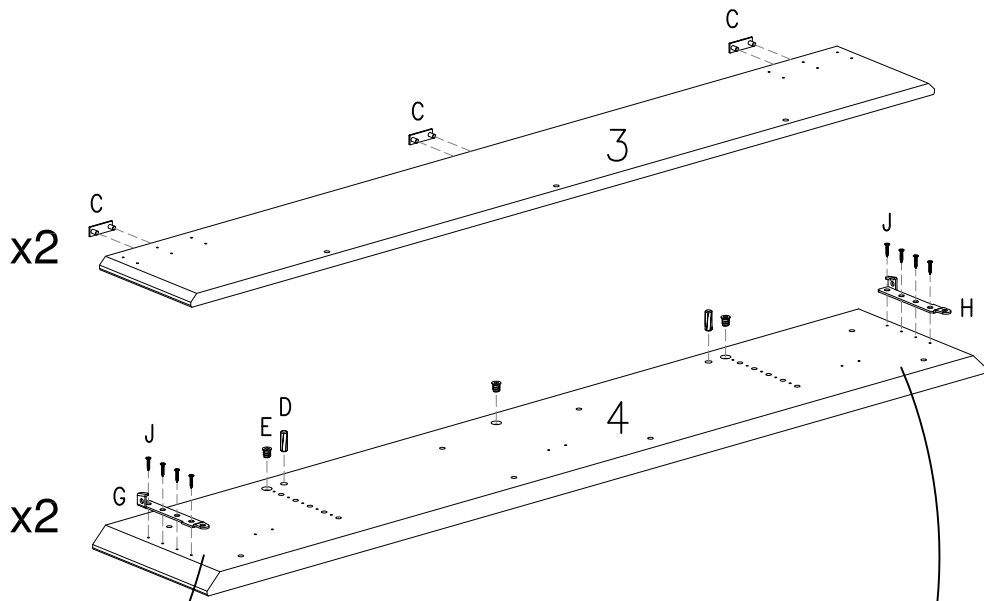




FIG. 4

-  K X 6
M6x30mm
-  L X 1
4mm

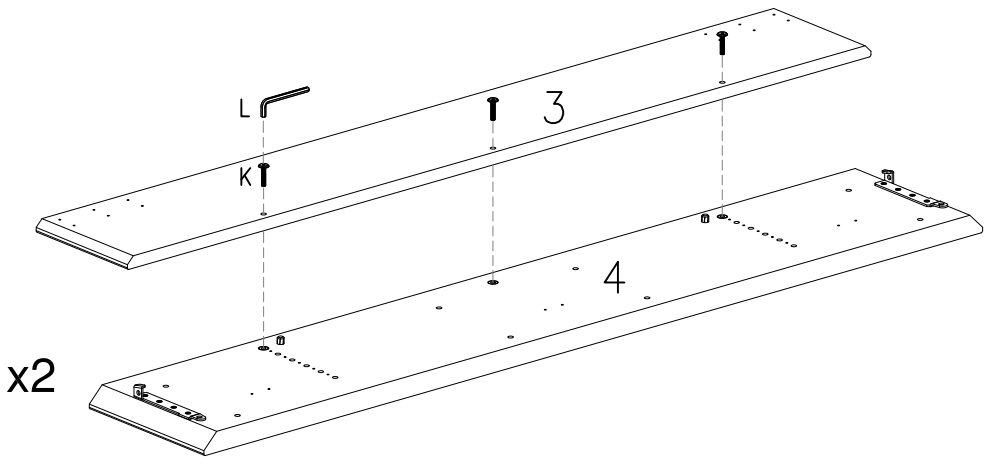
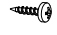



FIG. 5

-  B X 12
4,0x16mm
-  J X 2
3,5x20 mm

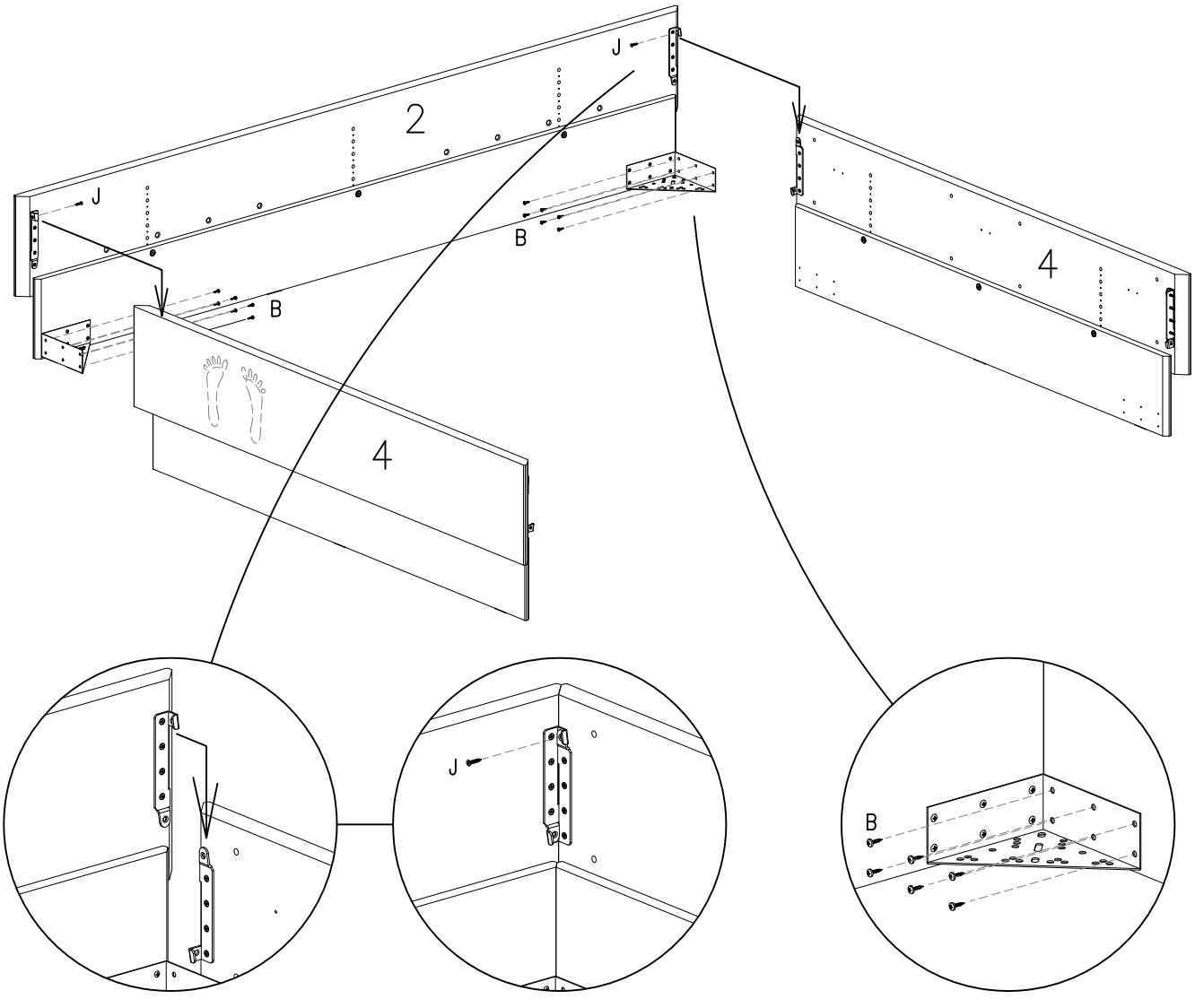


FIG. 6

B X 12
4,0x16mm

J X 2
3,5x20 mm

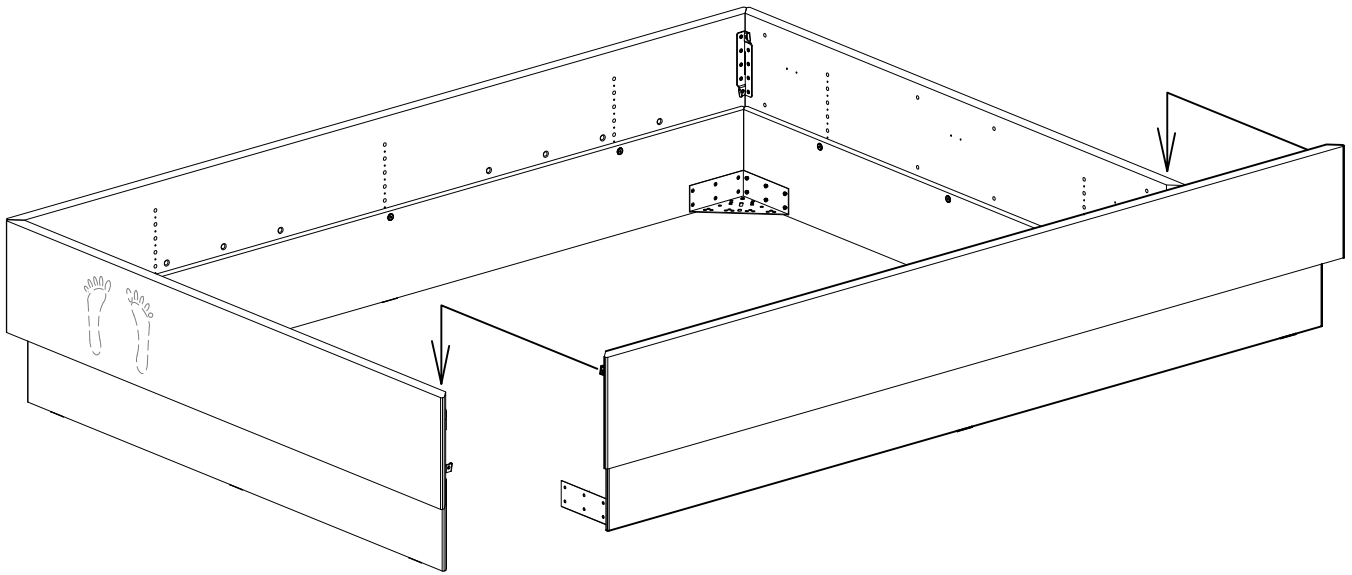
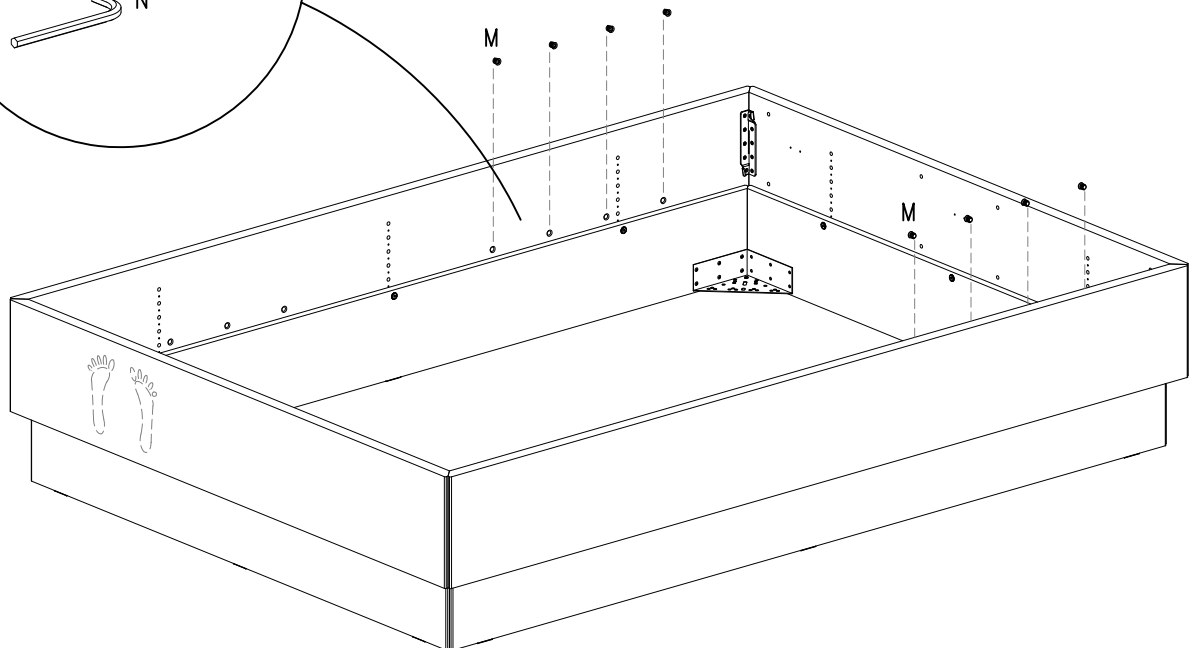
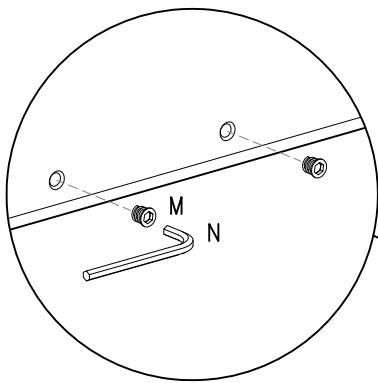


FIG. 7

M X 8
M8x14mm

N X 1
8mm



Attention!



- P X 6
- Q X 4
- R X 20
5,0x25mm

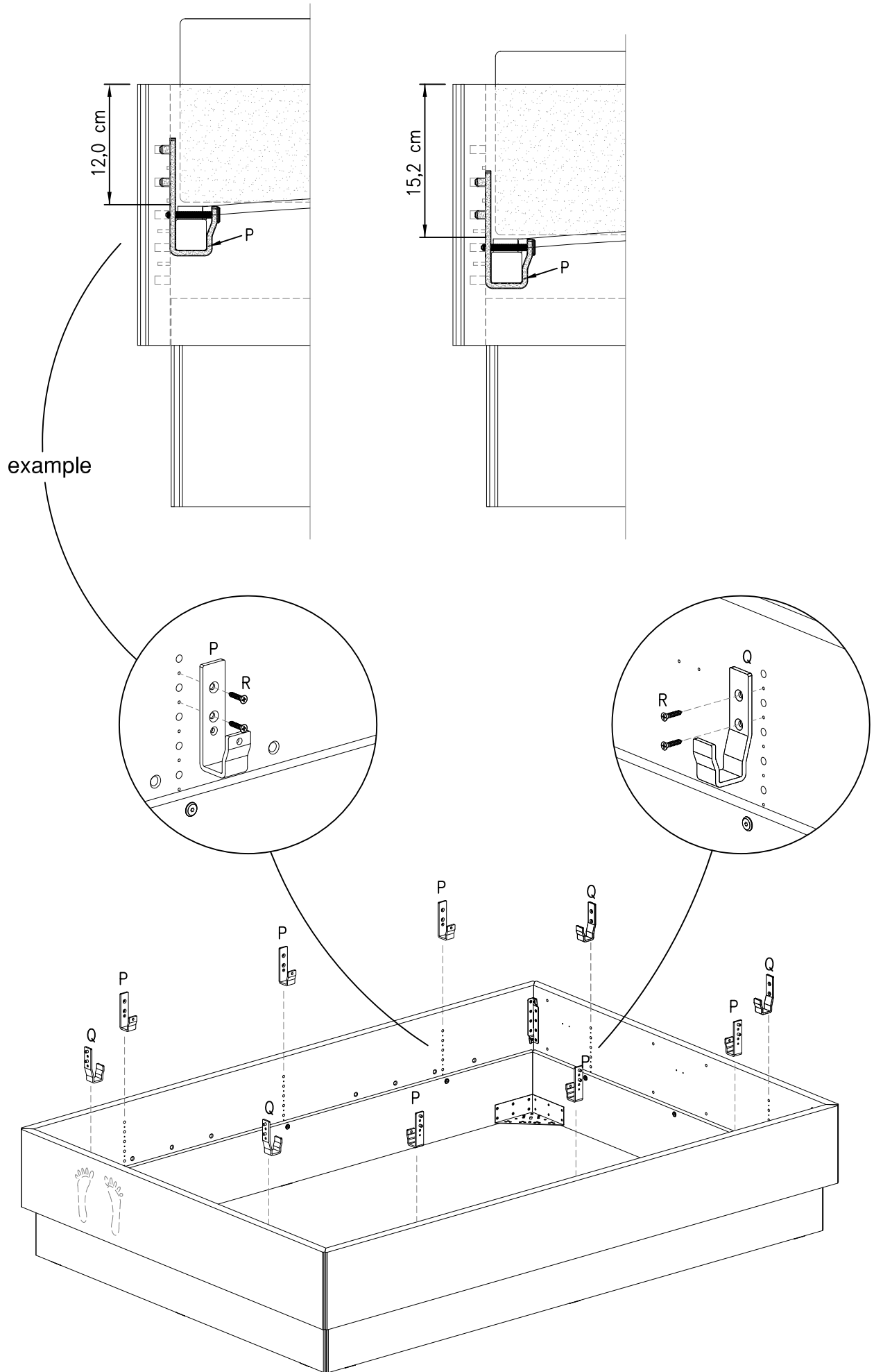


FIG. 9

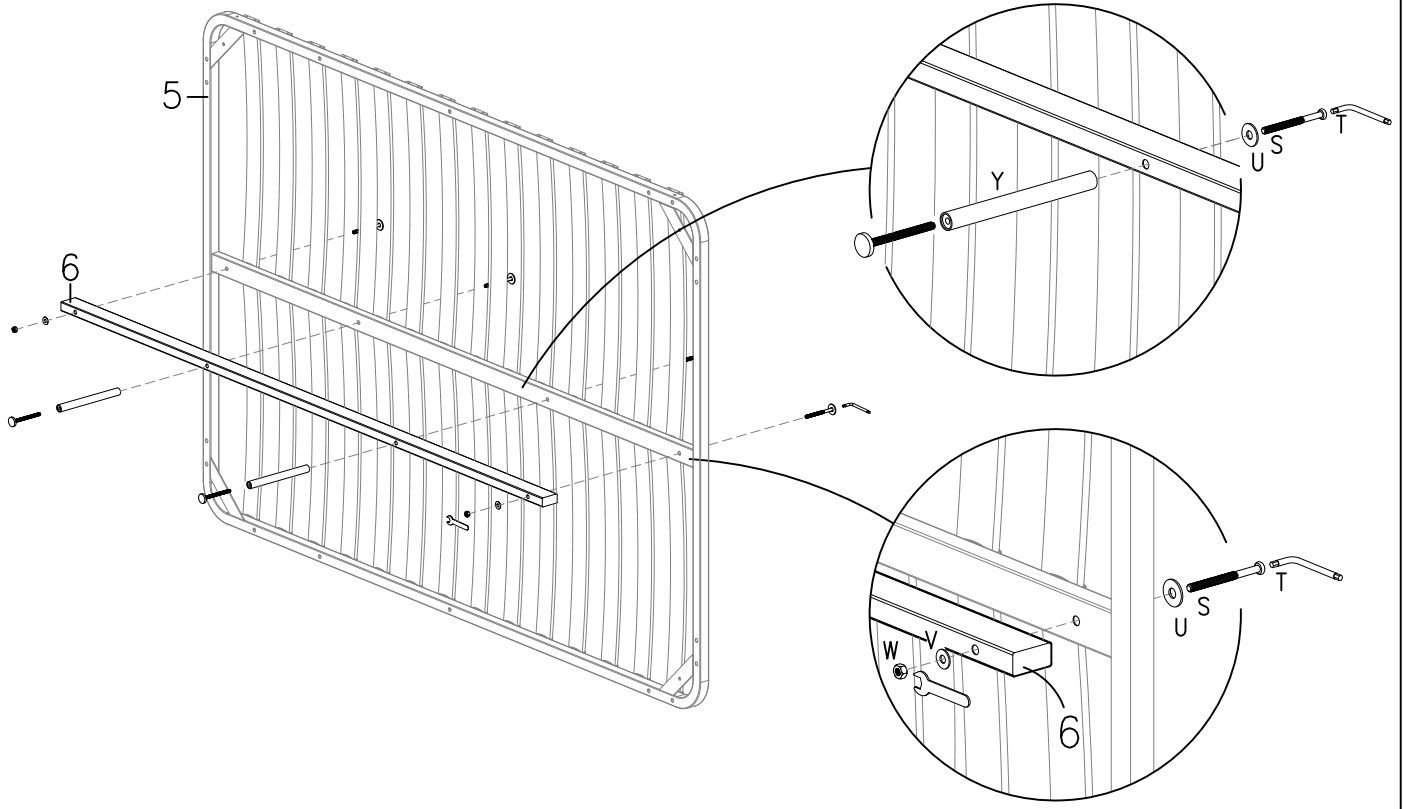
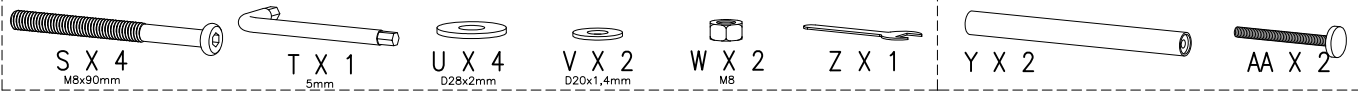
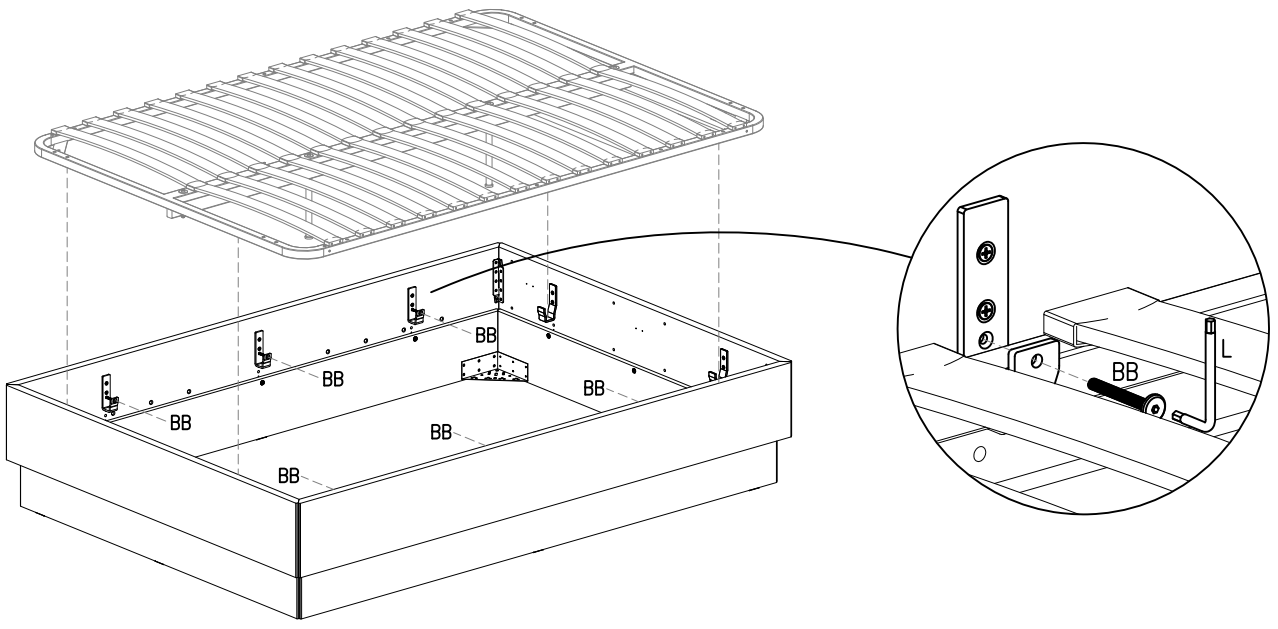
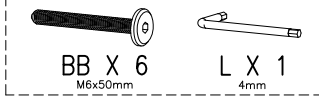


FIG. 10



! DK Ved reklamation oplyses følgende:
 D Im Reklamationsfall, bitte folgendes erläutern:
 US In case of claims, please state the following:
 F En cas de réclamation, veuillez indiquer:
 NL Bij service volgene mededelen
 E En caso de reclamación, indicar lo siguiente:
 P No caso de reclamação, por favor indique o seguinte:
 JP お気づきの点等ございましたら、以下の点をお知らせください。

Example!

| Korpus - Korpus - Carcase - Carcasse | | | | Beslag - Fittings - Beschläge - Set de Montage | | | |
|--------------------------------------|--|--|---------------------|------------------------------------------------|---------------------|---------------------|---------------------|
| | | | | | | | |
| | | | A X 8 1972000014 | B X 12 1972000004 | C X 4 1979110830 | C X 4 1979110830 | C X 4 1979110830 |
| | | | | | | | |
| | | | C X 2 1970120000 | H X 2 1978504022 | J X 8 1978234210 | J X 8 1978234210 | J X 8 1978234210 |