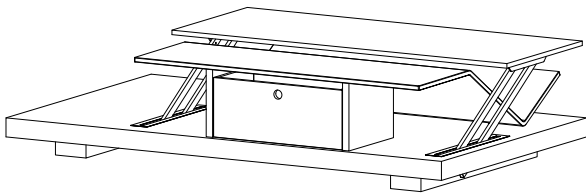


Occa

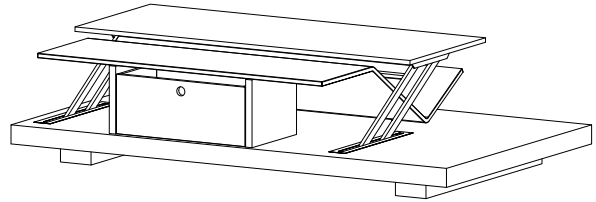
Design by BoConcept

Samvejledning - Assembly Instructions - Montageanleitung - Instructions d'assemblage - Instrucciones de montaje



3700

31,5/45x130x75/95 cm

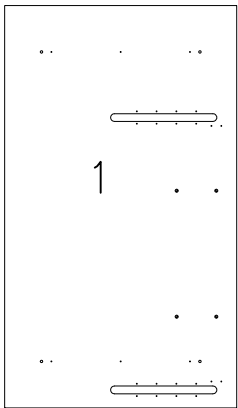


3710

31,5/45x130x75/95 cm

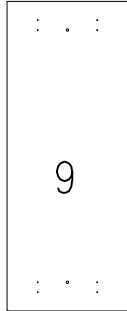
col.1

002406



col.2

002404



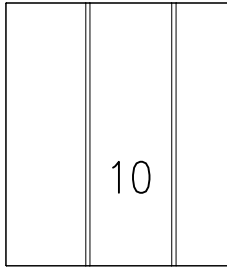
x2
002405
6

002419
x2



col.3

003764



col.4

001198

002389



002396

x2 5

002418

8

002392

7

370-4520

11°

Beslag - Beschläge - Fittings - Set de montage

col.1



A X 4
1979110830
8x30mm



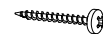
B X 10
97000838
5,0x70mm



C X 4
1976001934
M6x8mm



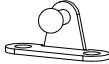
D X 4
1976001935
D16



F X 16
1978104030
4,0x30mm



G X 4
1979110850
8x50mm



H X 2
970001044



J X 6
970000764
4,2x16mm



K X 2
970001209
206mm



L X 2
970001038



M X 4
1978103516
3,5x16mm



P X 1
1979000100



Q X 2
970001199
femal



R X 2
970001200
male



V X 1
1978808320
4pcs.



Y X 8
1978204210
4,2x9,5mm

col.4



E X 1
970001210
4mm 114



N X 2
970001196



S X 2
970001212



T X 4
1978690510
M5x10mm



U X 2
970001213
M6x20mm



W X 2
970000726
M6x25,5mm



Z X 1
1979300005
5mm

Værktøj - Werkzeuge - Tools - Outils

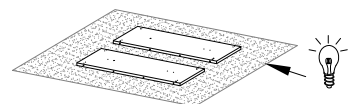
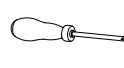
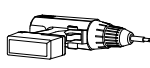
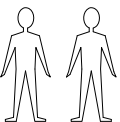






FIG. 1



Ococa 3700

- 
A X 4
8x30mm
- 
B X 6
5,0x70mm
- 
C X 4
M6x8mm
- 
D X 4
D16

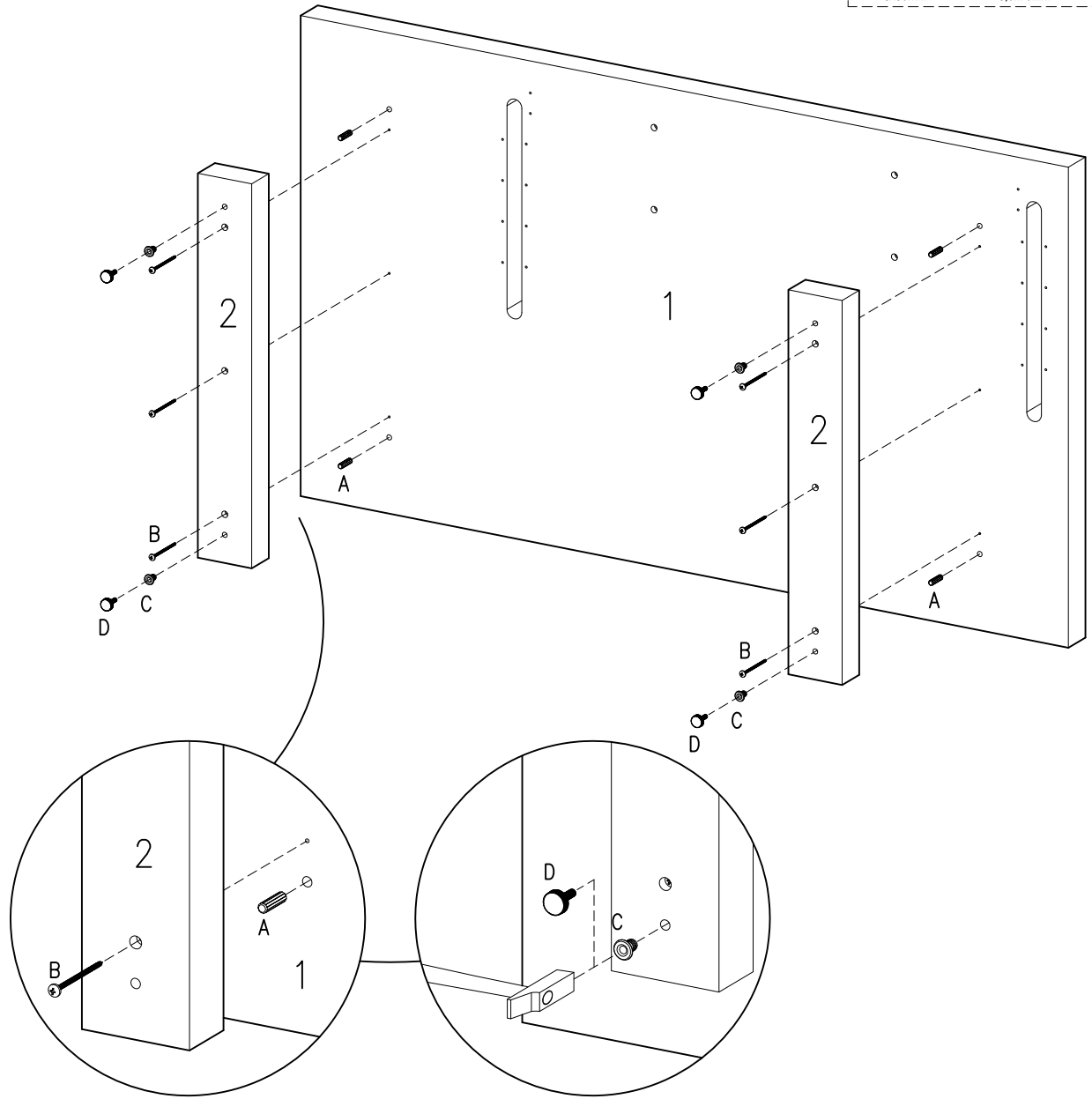



FIG. 2



Ococa 3700

- 
E X 1
4mm

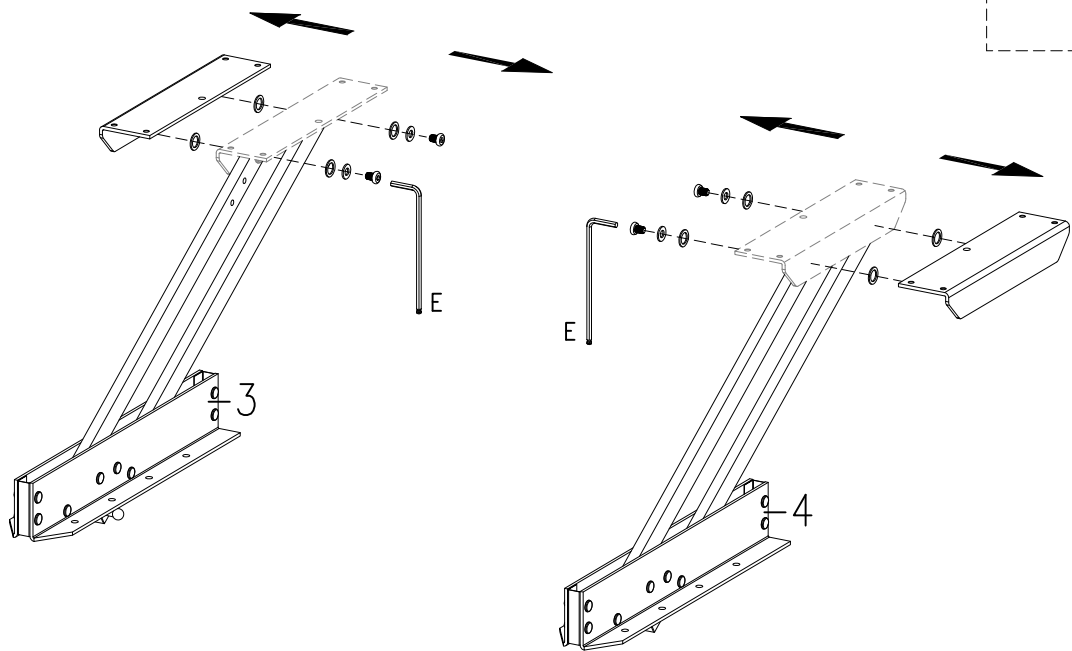


FIG. 3



Occea 3700

F X 16
4,0x30mm

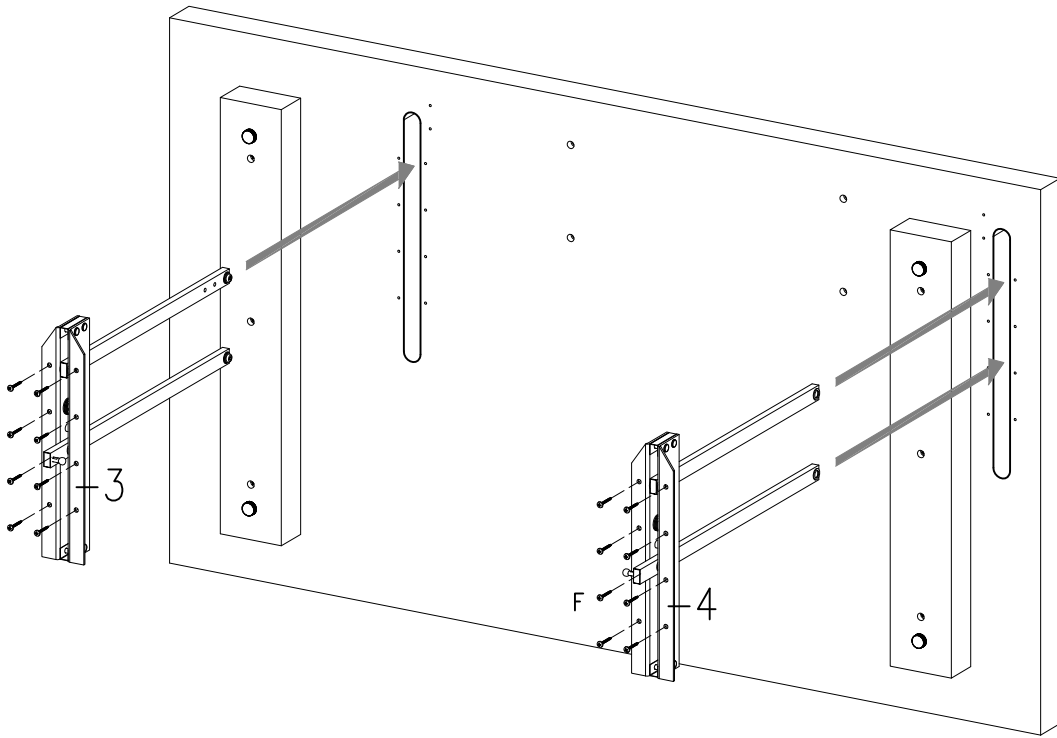


FIG. 4



Occea 3700

G X 4
8x50mm

B X 4
5,0x70mm

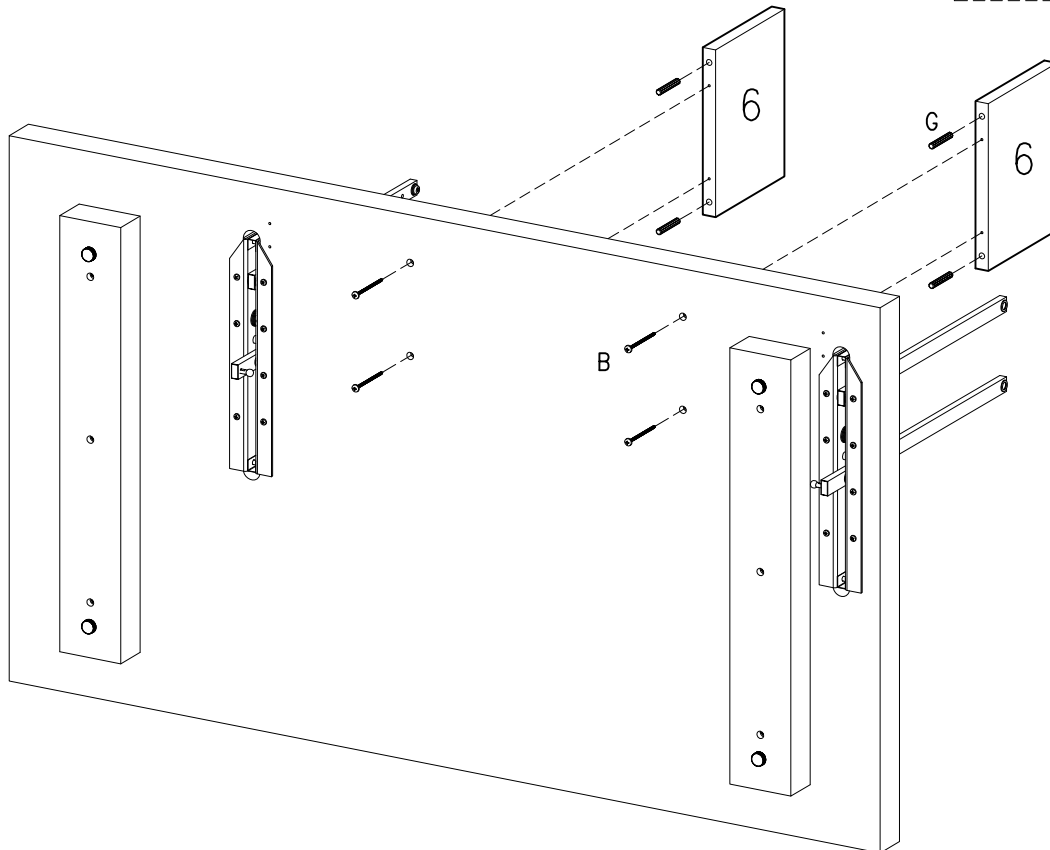


FIG. 5



Occta 3700

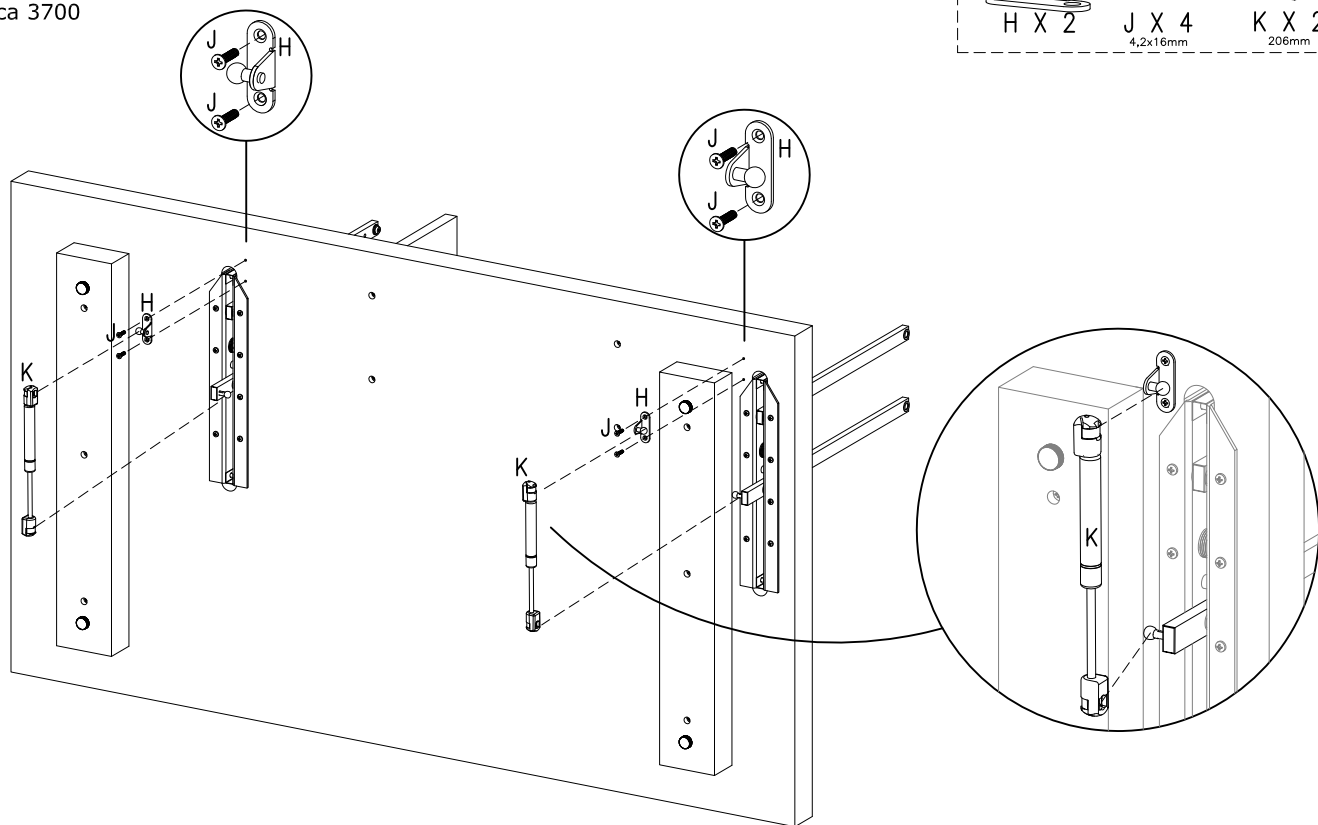
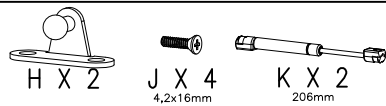


FIG. 6



Occta 3700

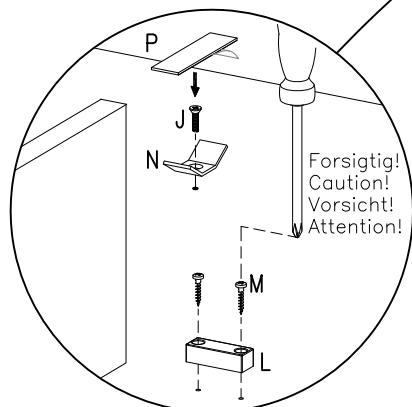
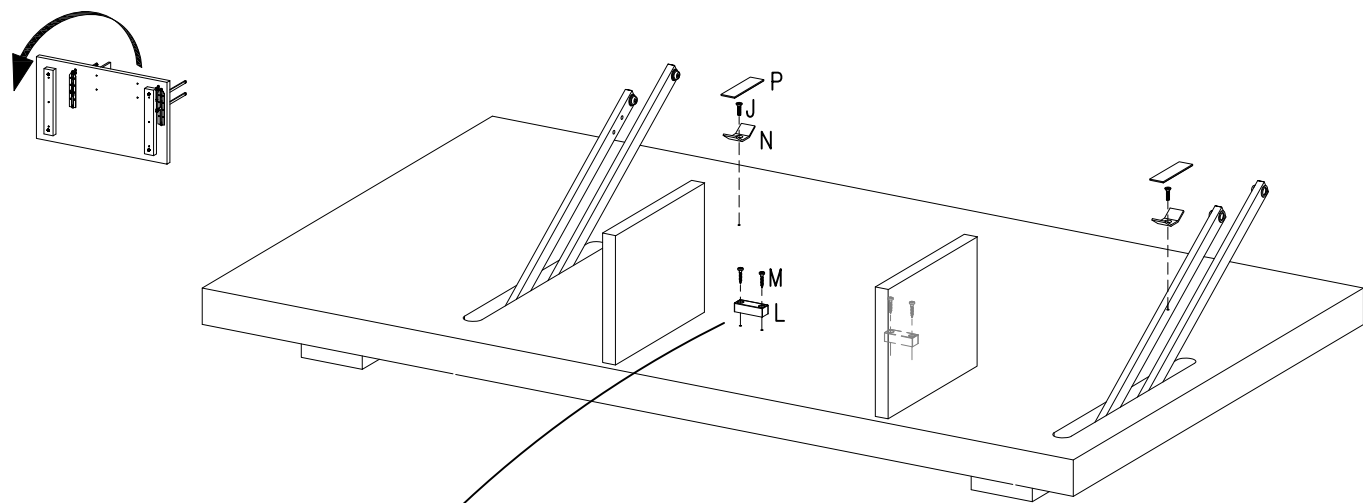


FIG. 7

Occa 3700

Q X 2
femal

R X 2
male

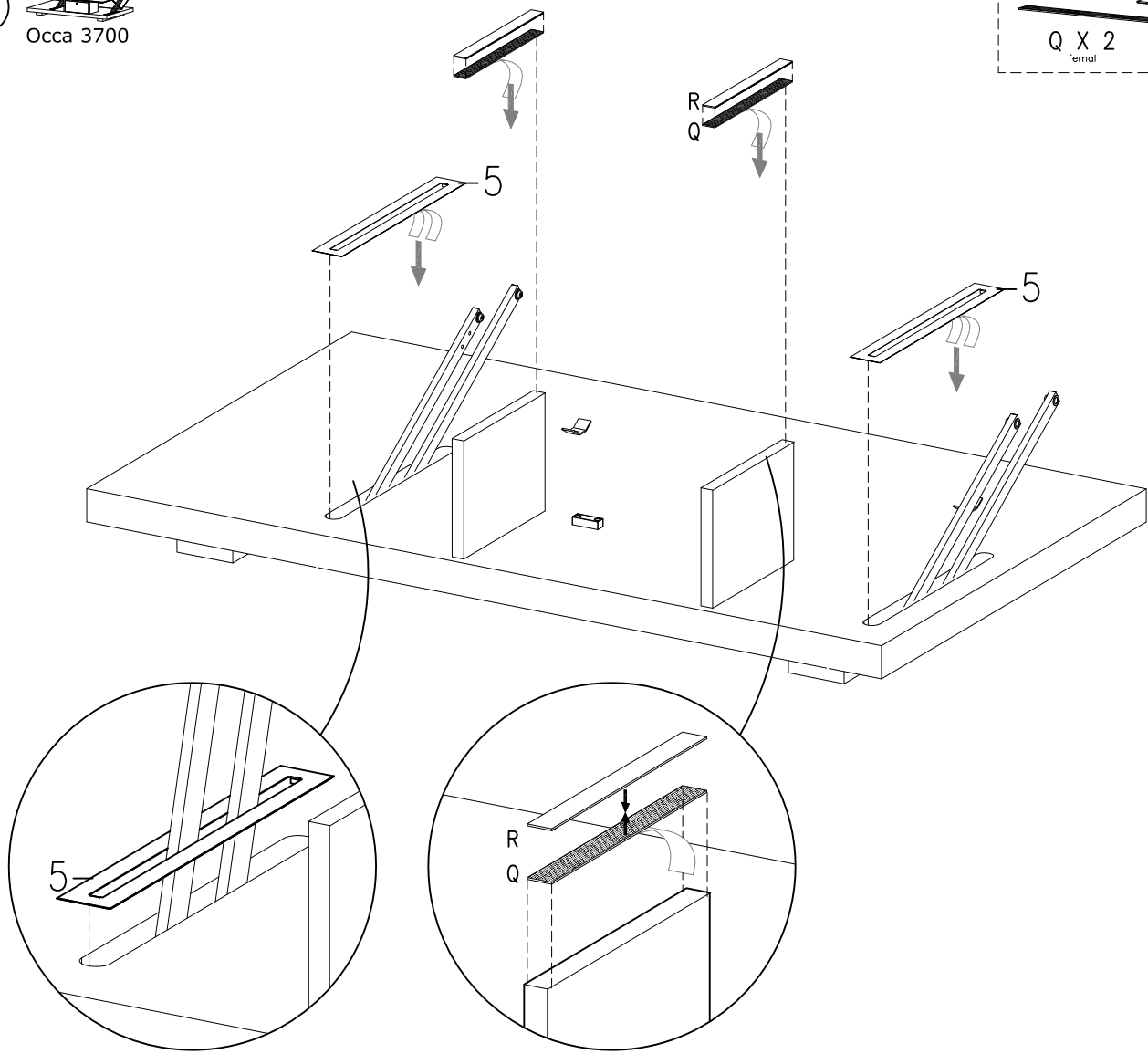


FIG. 8

Occa 3700

E X 1
4mm

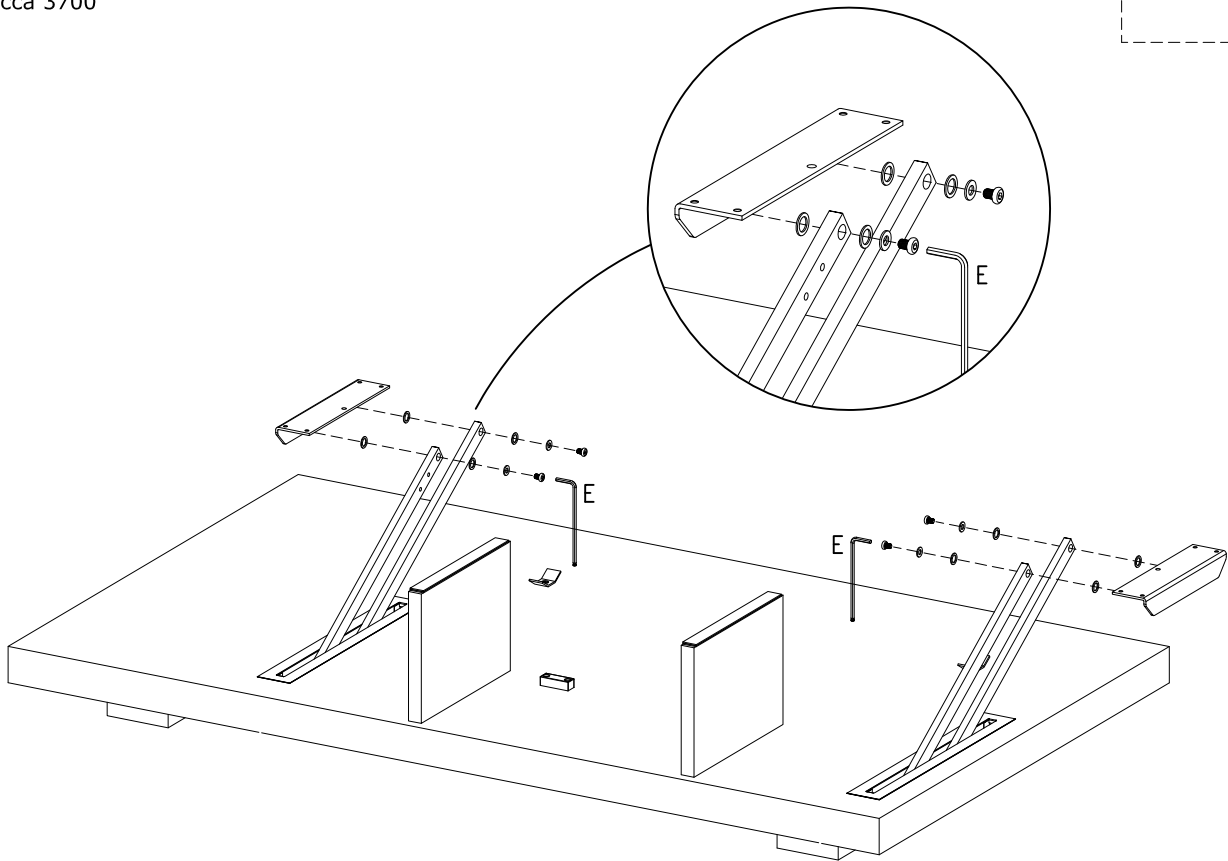


FIG. 9



Occa 3700



S X 2



T X 4
M5x10mm



U X 2
M6x20mm



E X 1
4mm

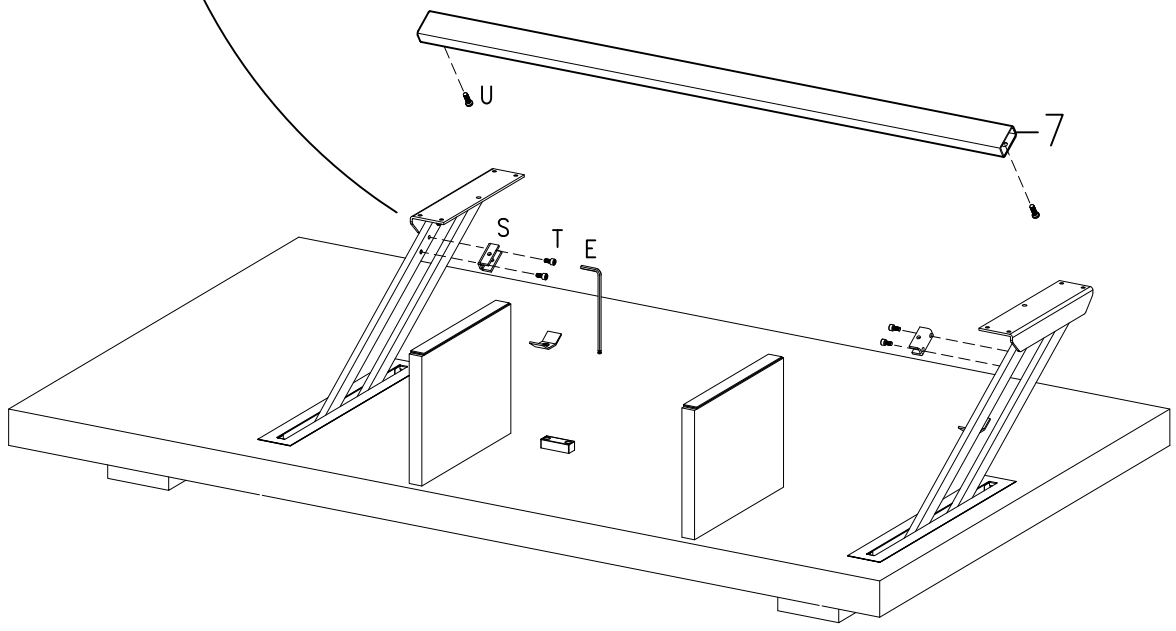
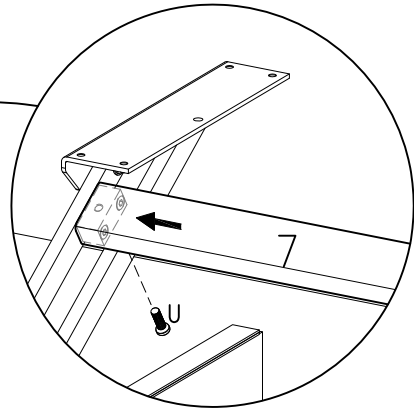
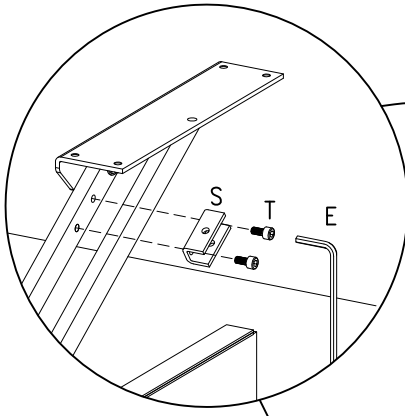


FIG. 10



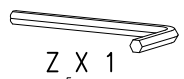
Occa 3700



V X 1
4pcs.



W X 2
M6x25,5mm



Z X 1
5mm

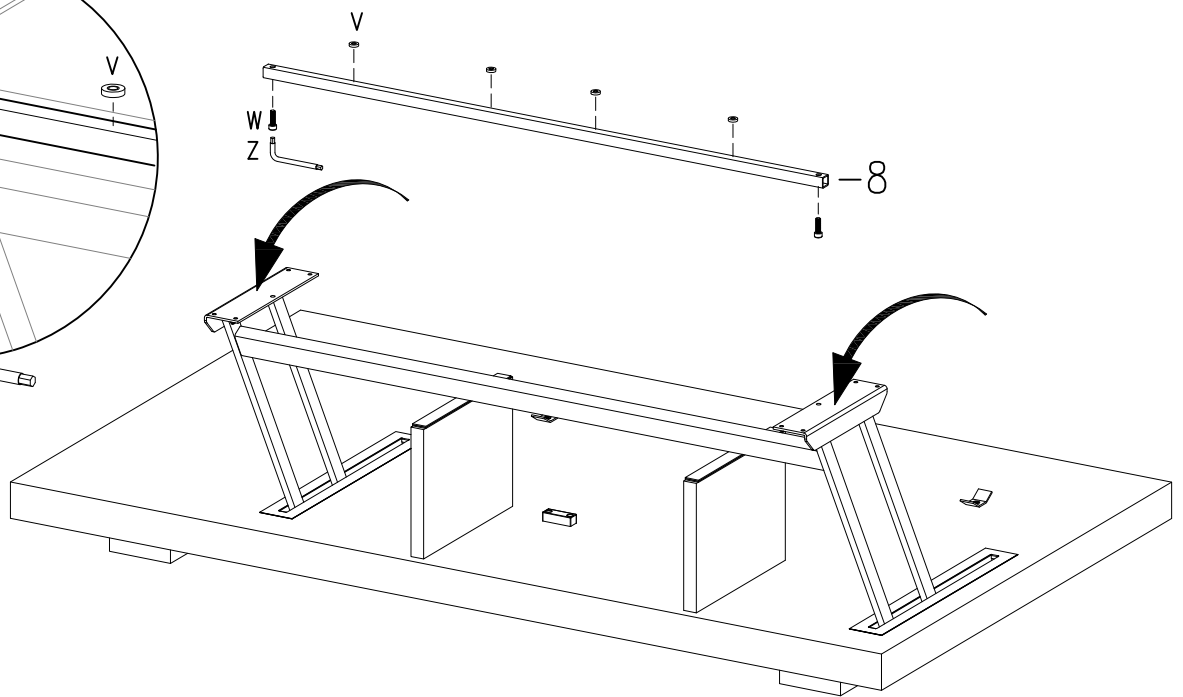
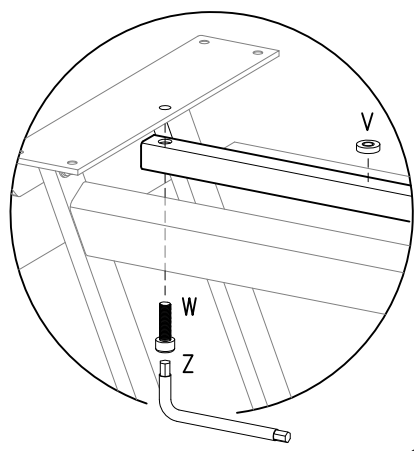


FIG. 11



Y X 8
4,2x9,5mm

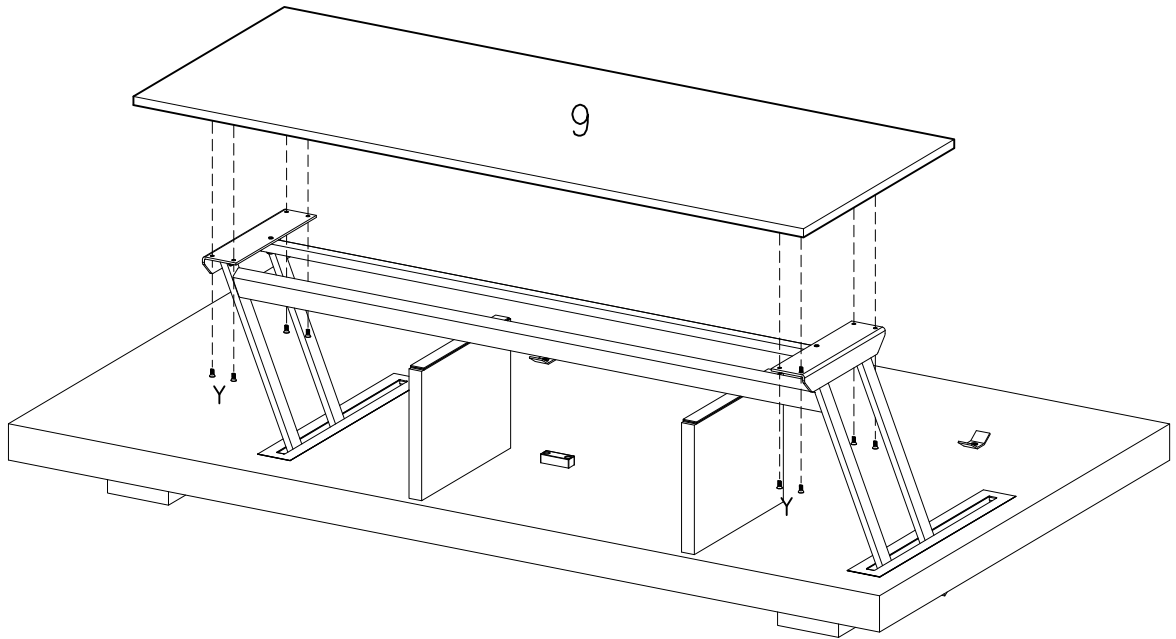


FIG. 12

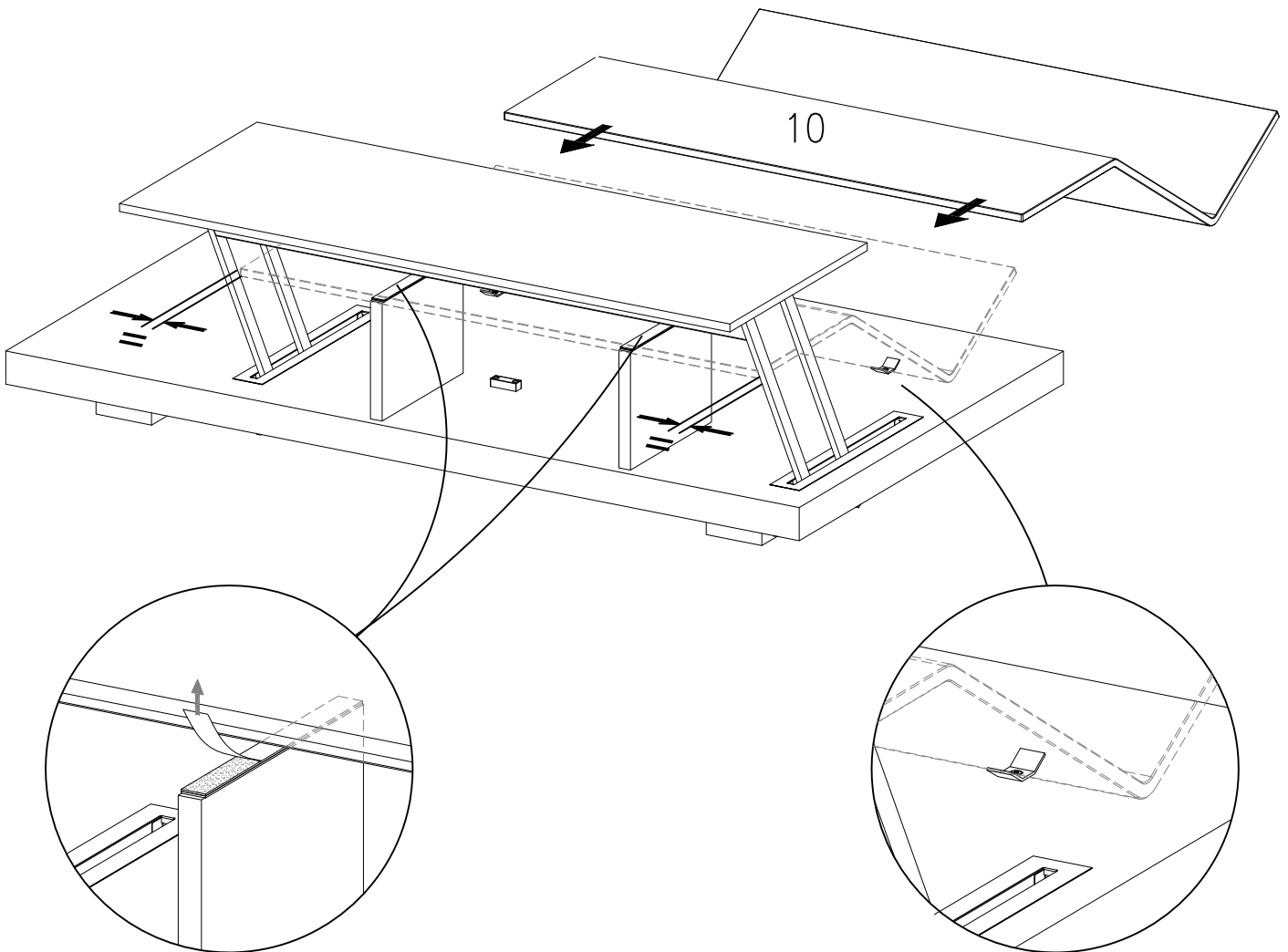
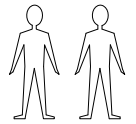


FIG. 13

Occa 3700

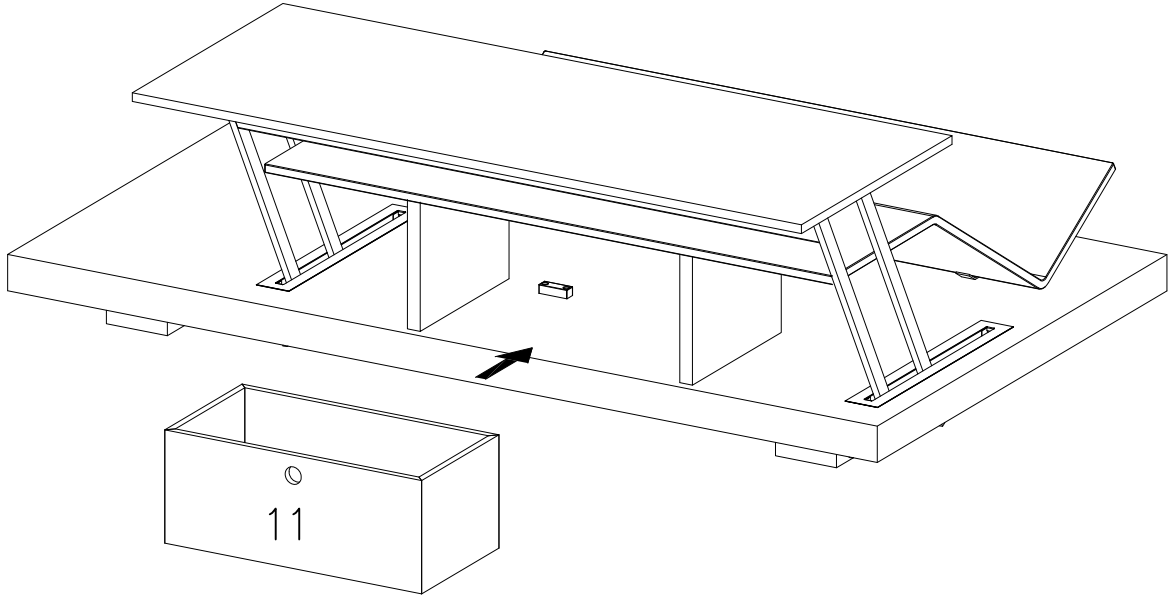
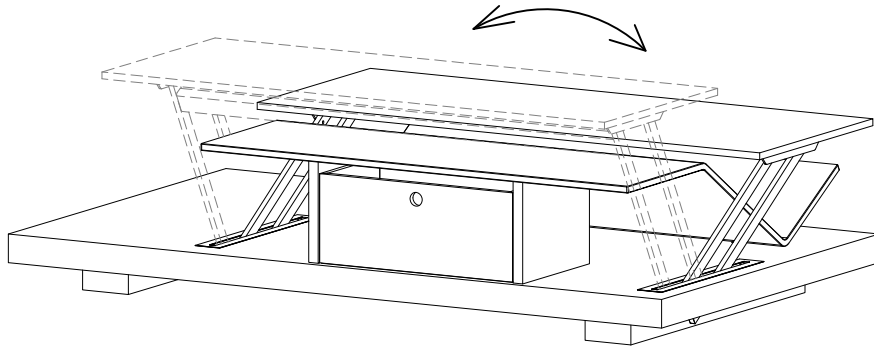
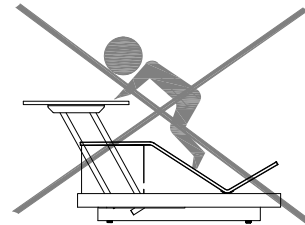
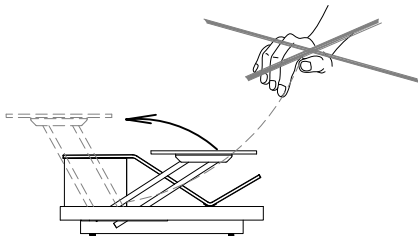


FIG. 14



▲ WARNING



DO NOT allow children to climb on unit.



- DK Ved reklamation oplyses følgende:
- D Im Reklamationsfall, bitte folgendes erläutern:
- US In case of claims, please state the following:
- F En cas de réclamation, veuillez indiquer:
- NL Bij service volgene mededelen
- E En caso de reclamacion, indicar lo siguiente:
- P No caso de reclamação, por favor indique o seguinte:
- JP お気づきの点等ございましたら、以下の点をお知らせください。

Example!

