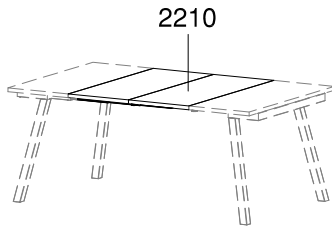
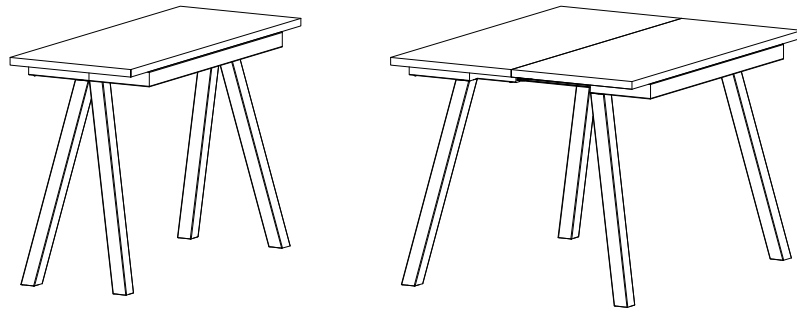


Occa

Design by Bo Concept

Samlevejledning - Assembly Instructions - Montageanleitung - Instructions d'assemblage - Instrucciones de montaje



2200/2210

74,5x45/90x110 cm

2200

Col.1



A X 24
970001156
M5x10mm

B X 1
1979300003
3mm

D X 4
970001086
female

E X 4
970001059
male

F X 10
1978104020
4,0x20mm

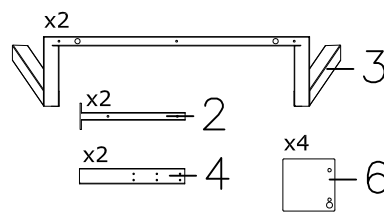
G X 2
970001084

H X 2
970001083

J X 2
970000776

K X 7
970000838
5,0x70 mm

Col.2

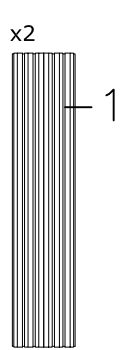


M X 1
1979300004
4mm

C X 12
970000841
M6x35mm

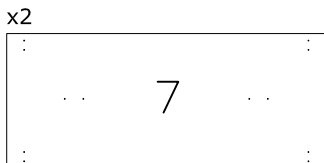
L X 16
970000867
M6x12mm

Col.3



2210

Col.1



D X 8
970001086
female

E X 8
970001059
male

F X 16
1978104020
4,0x20mm

G X 4
970001084

H X 4
970001083

N X 4
970001132
61x35x2,7mm

Værktøj - Werkzeuge - Tools - Outils

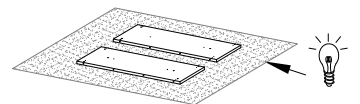
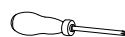
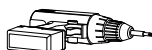
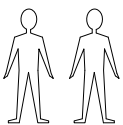




FIG. 1

x2

	
A X 12	B X 1
M5x10mm	3mm

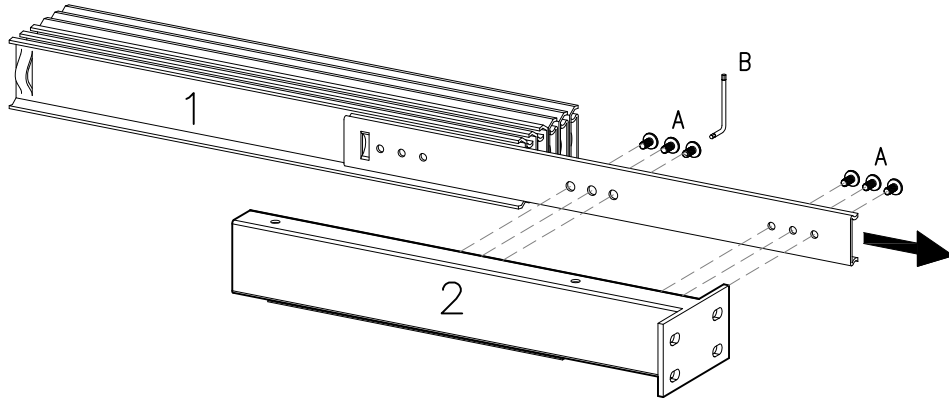




FIG. 2

x2

	
C X 12	M X 1
M6x35mm	4mm

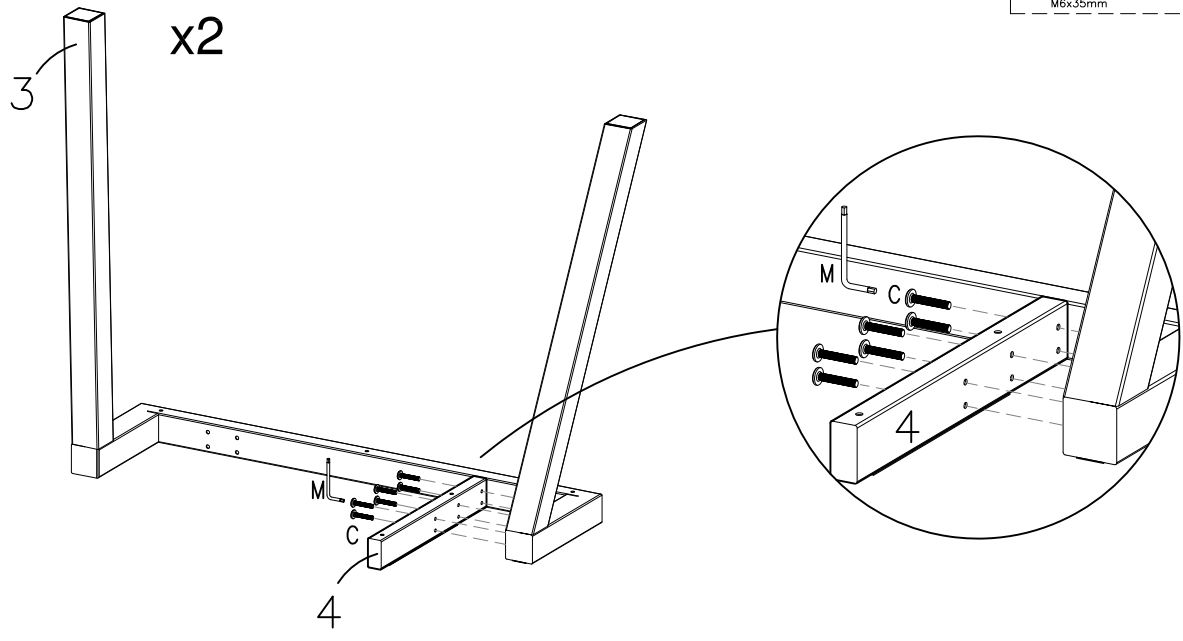




FIG. 3

x2

	
A X 12	B X 1
M5x10mm	3mm

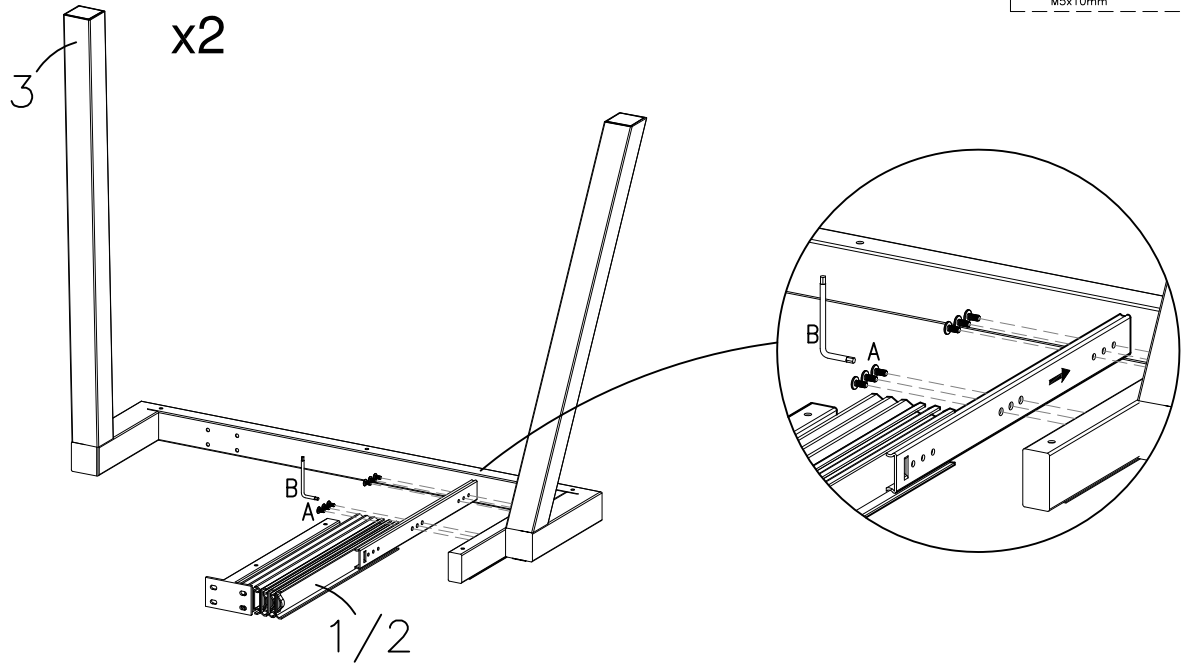



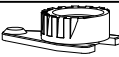




FIG. 4

- 
D X 4
- 
E X 4
- 
F X 10
4,0x20mm
- 
G X 2
- 
H X 2
- 
J X 2

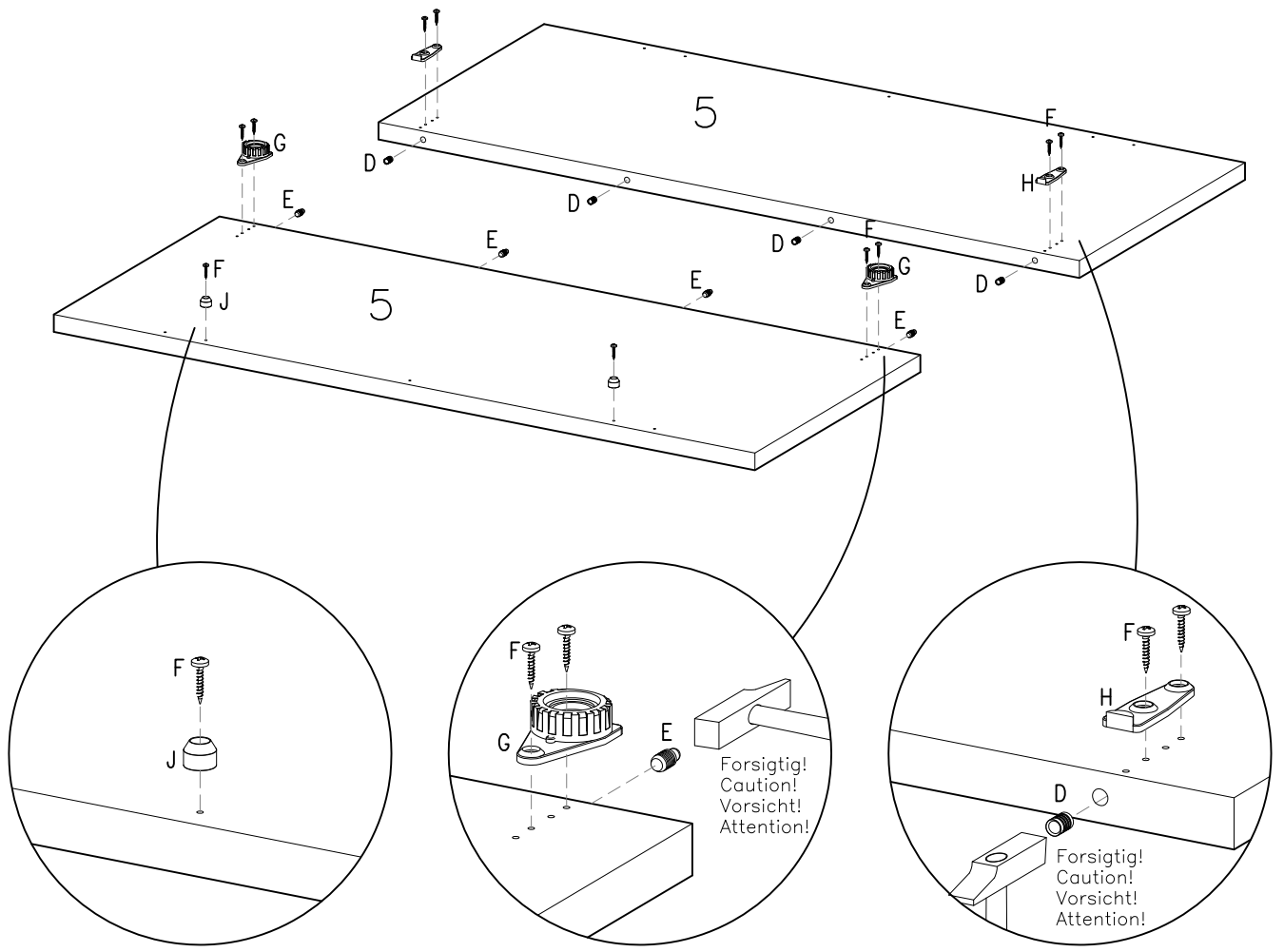

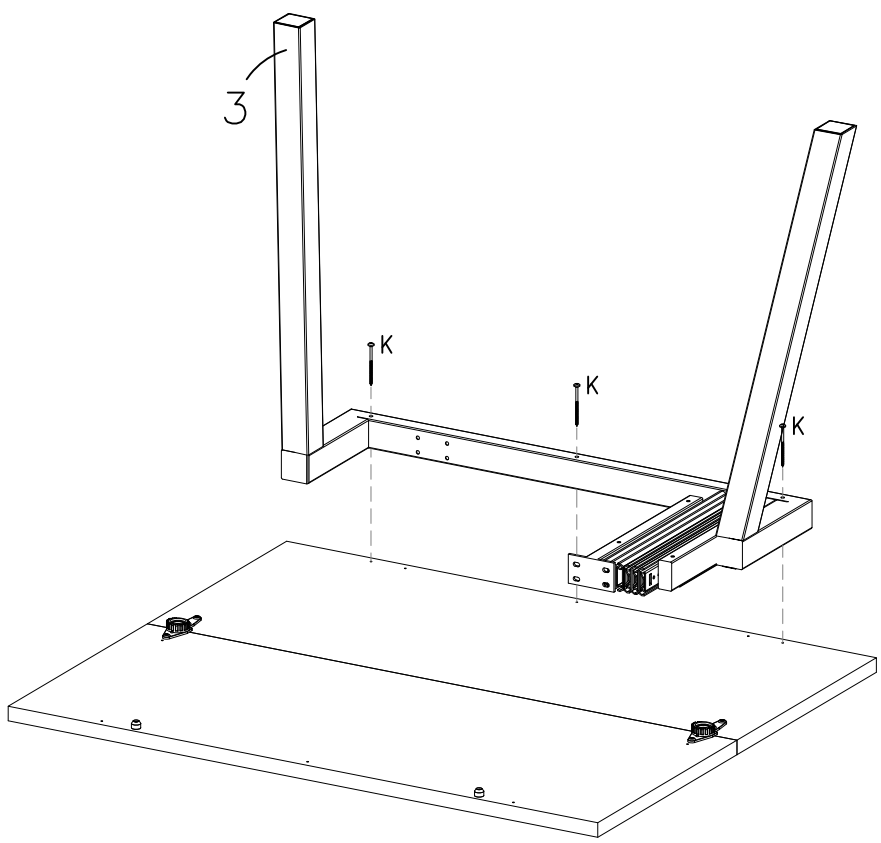





FIG. 5

- 
K X 3
5,0x70 mm



-  L X 4
M6x12mm
-  M X 1
4mm
-  K X 4
5,0x70 mm

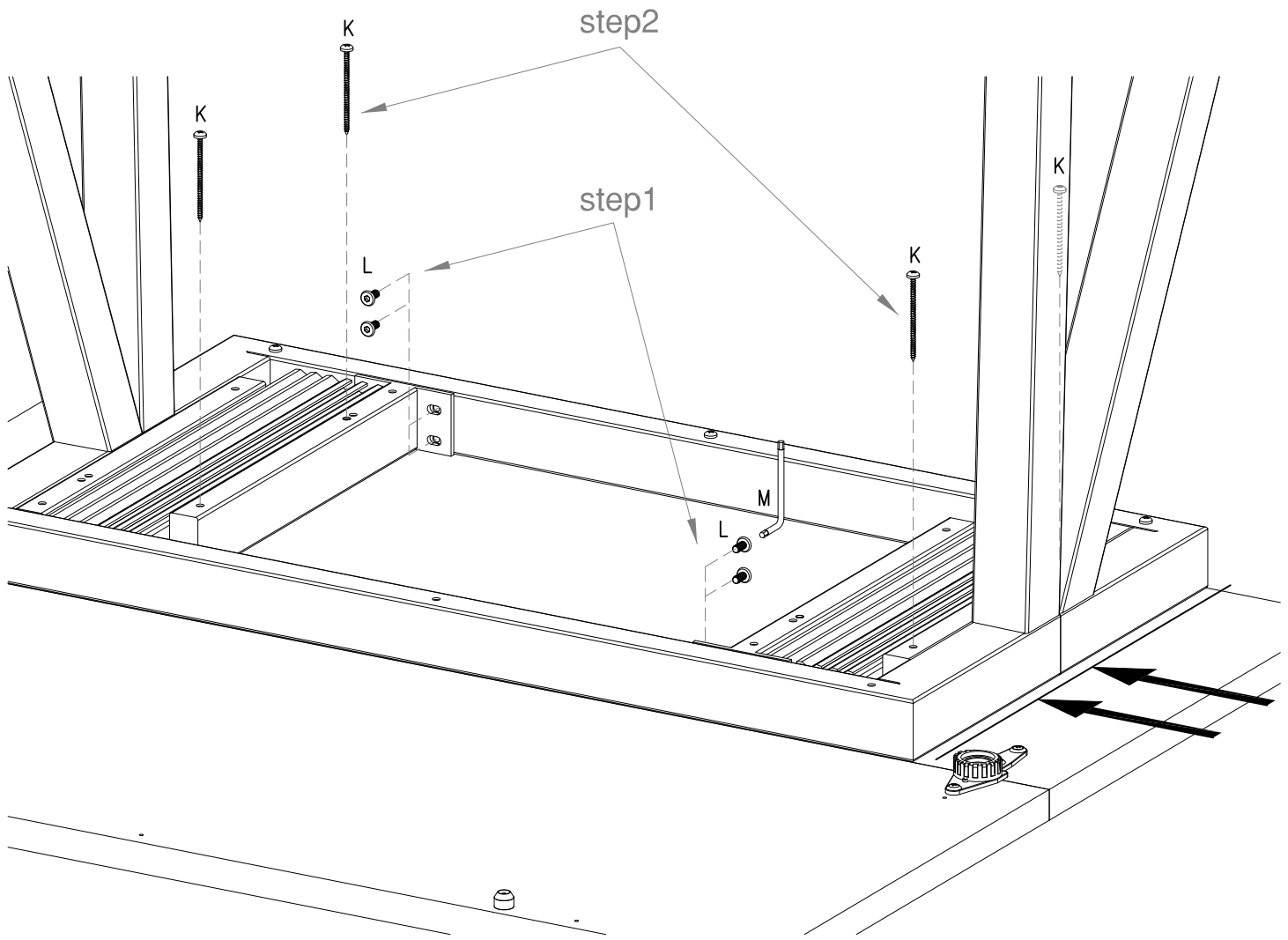
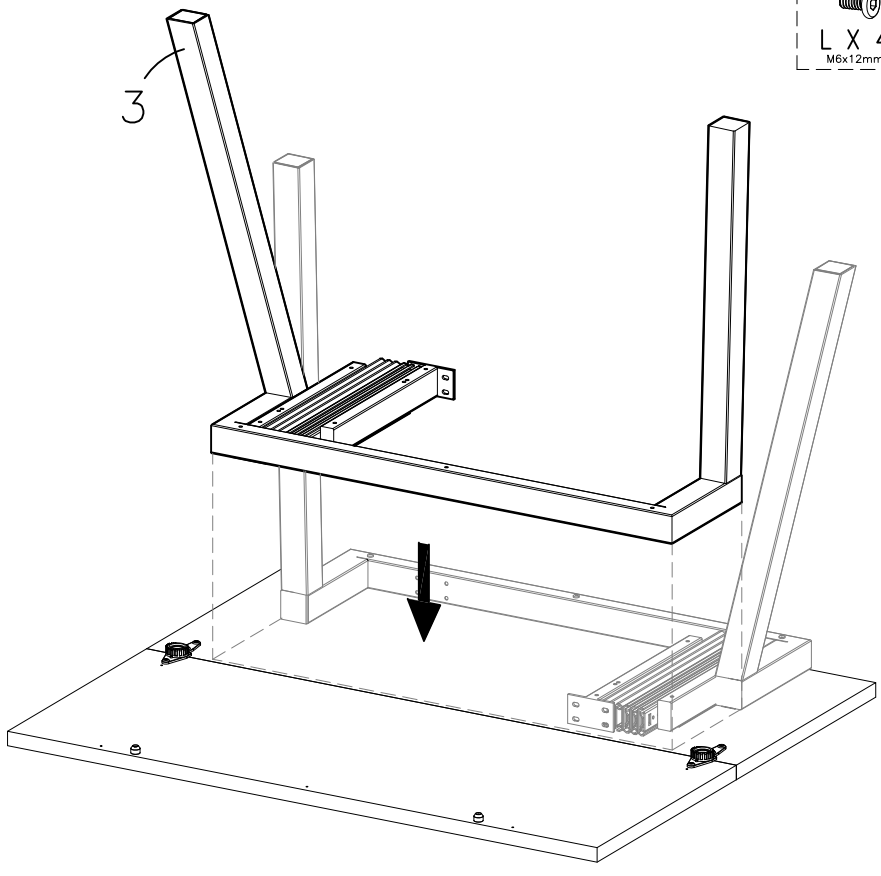


FIG. 8

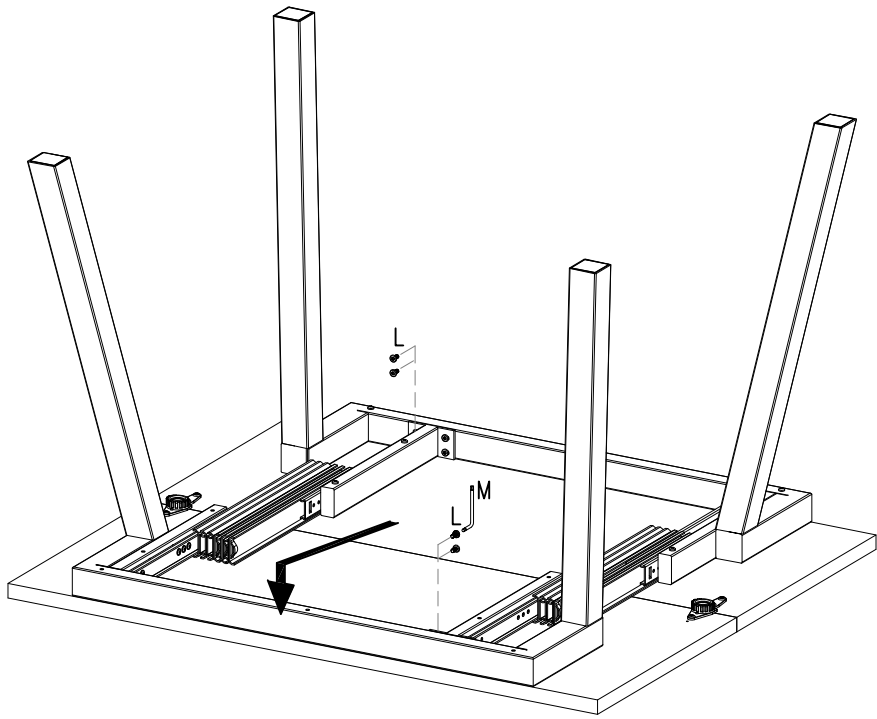


FIG. 9

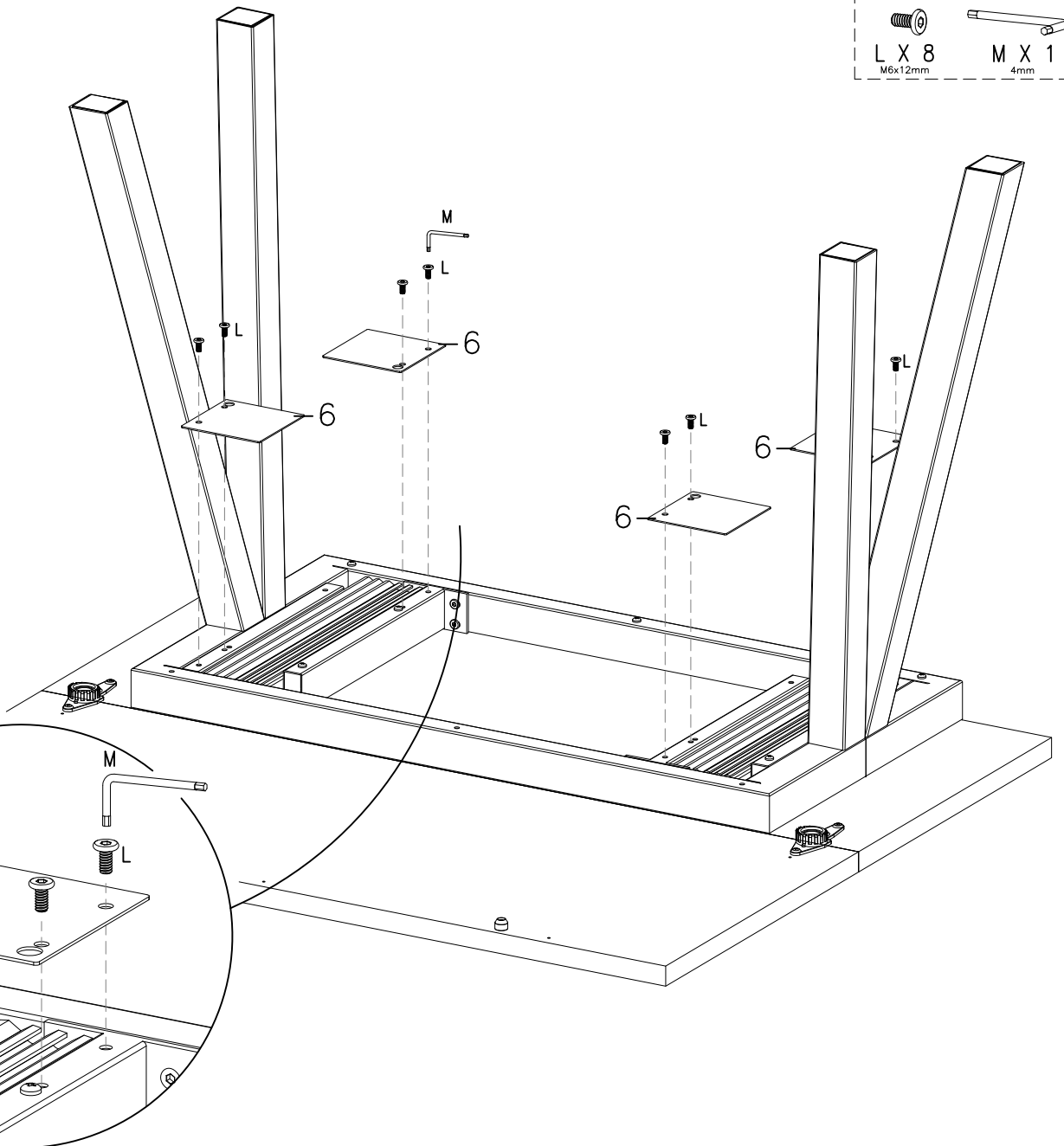


FIG. 10

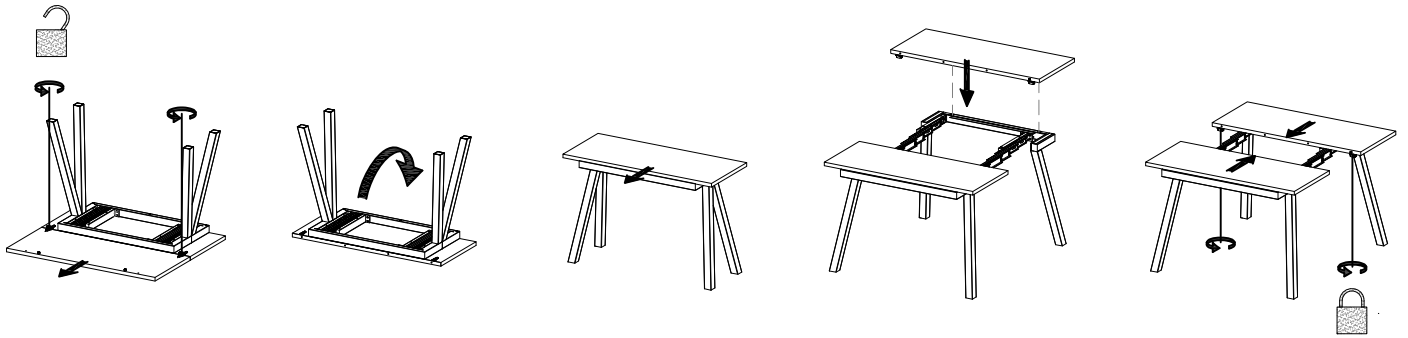
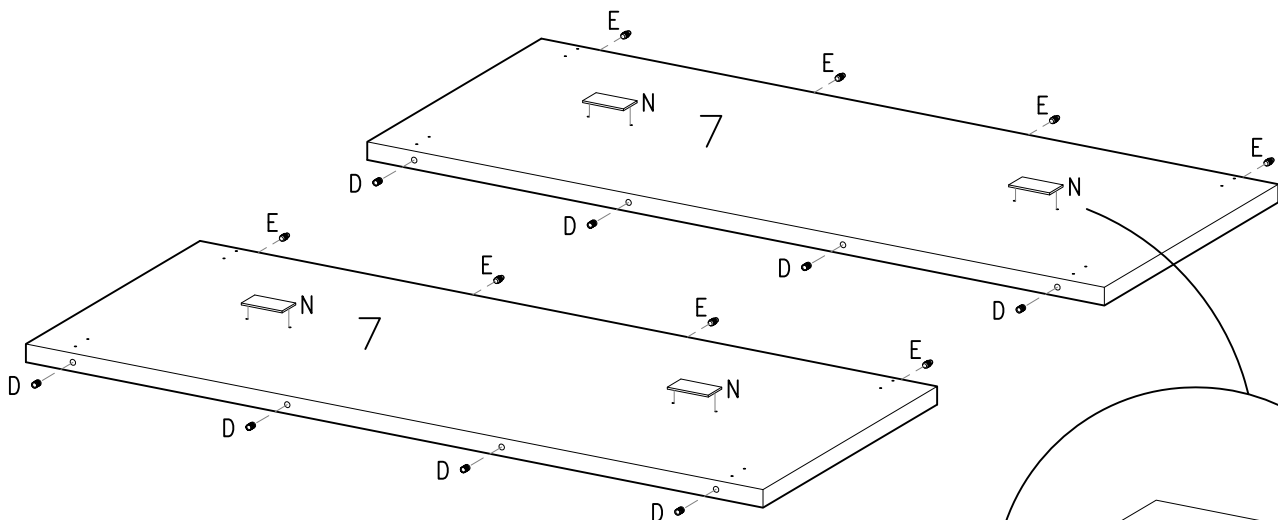
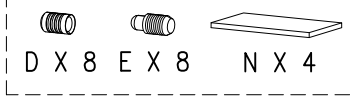
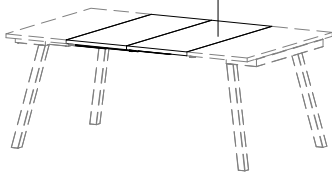


FIG. 11

2210



Forsichtig!
 Caution!
 Vorsicht!
 Attention!

FIG. 11

- F X 16
4,0x20mm
- G X 4
- H X 4

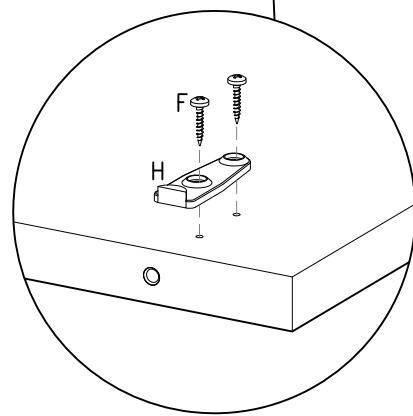
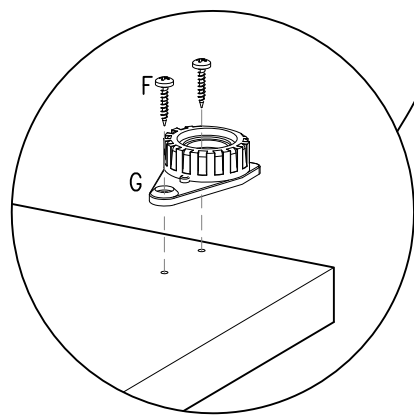
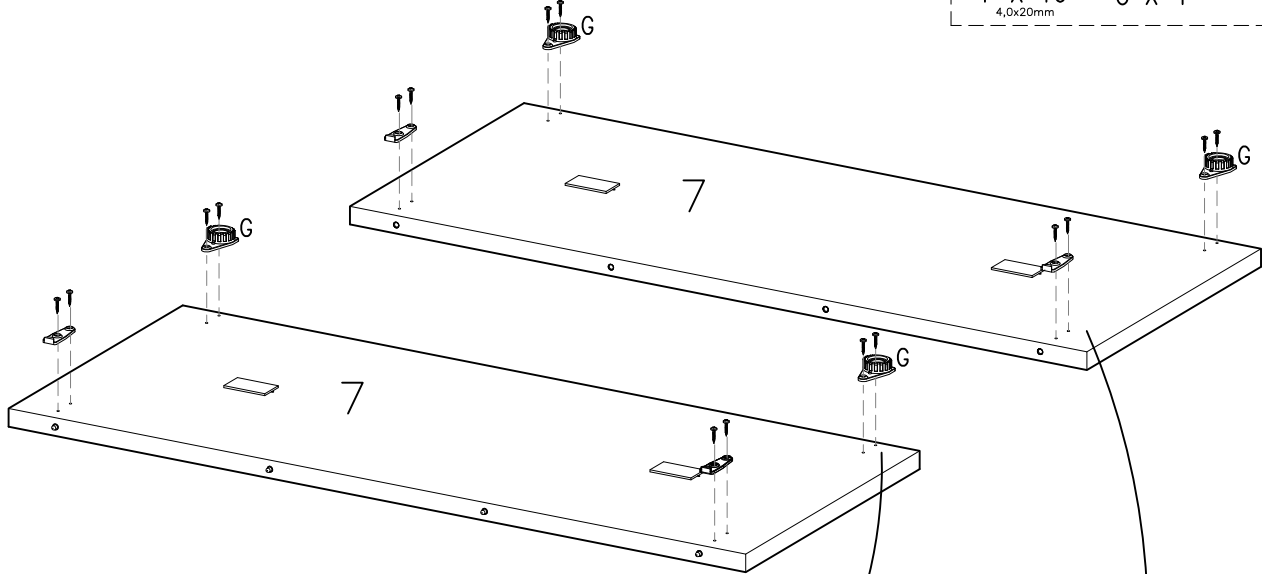
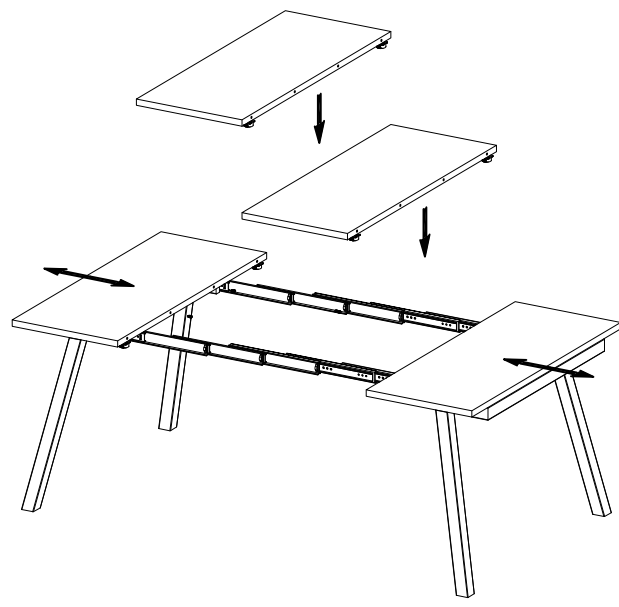
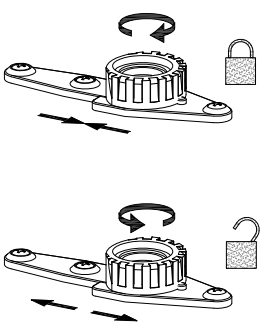
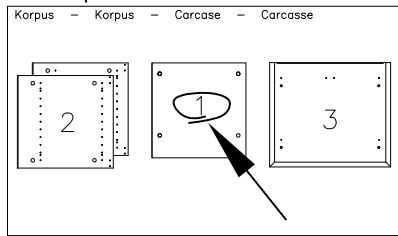


FIG. 12



- DK Ved reklamation oplyses følgende:
- D Im Reklamationsfall, bitte folgendes erläutern:
- US In case of claims, please state the following:
- F En cas de réclamation, veuillez indiquer:
- NL Bij service volgene mededelen
- E En caso de reclamación, indicar lo siguiente:
- P No caso de reclamação, por favor indique o seguinte:
- JP お気づきの点等ございましたら、以下の点をお知らせください。

Example!



- | Beslag - Fittings - Beschläge - Set de Montage | | |
|--|----------------------|---------------------|
| A X 8
1972000014 | B X 12
1972000004 | C X 4
1979110830 |
| D X 2
1970120000 | E X 2
1978504022 | F X 8
1978204210 |